

Page No.

1-2

**1800 Series Drive Shafts
and Related Components**

1800 Series Drive Shafts, SMV and Miscellaneous

3

**1800 Series Drive Shafts
and Tube Assemblies (1800 Series)**

4

Slow Moving Vehicle Signs

5

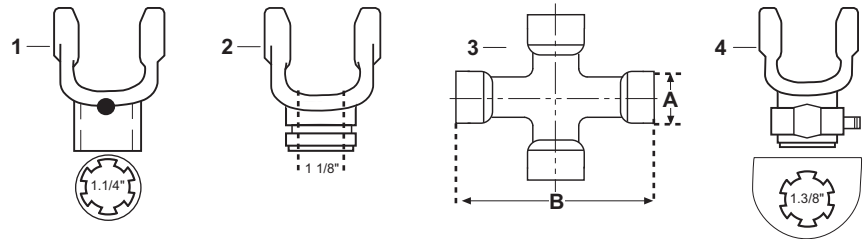
**Skid Loader and Industrial Filters,
Implements and Miscellaneous**

Legend: -> before date means "up to"
-> after date means "on"

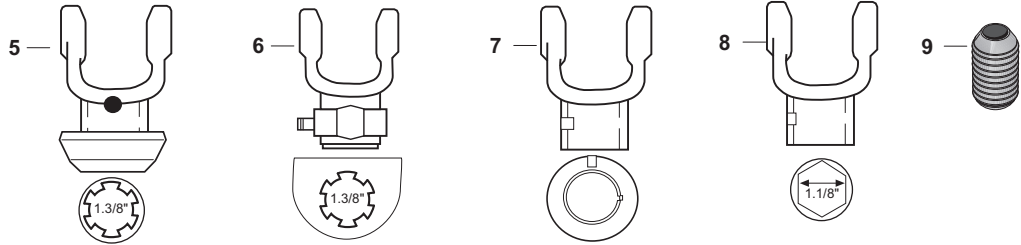
These parts are Sparex parts and are not manufactured by the Original Equipment Manufacturer. Original Manufacturers' names, part numbers and descriptions are quoted for reference purposes only and are not intended to indicate or suggest that our replacement parts are made by the OEM.

F13

Sparex Replacement Spare Parts
for Ford/New Holland (65->)

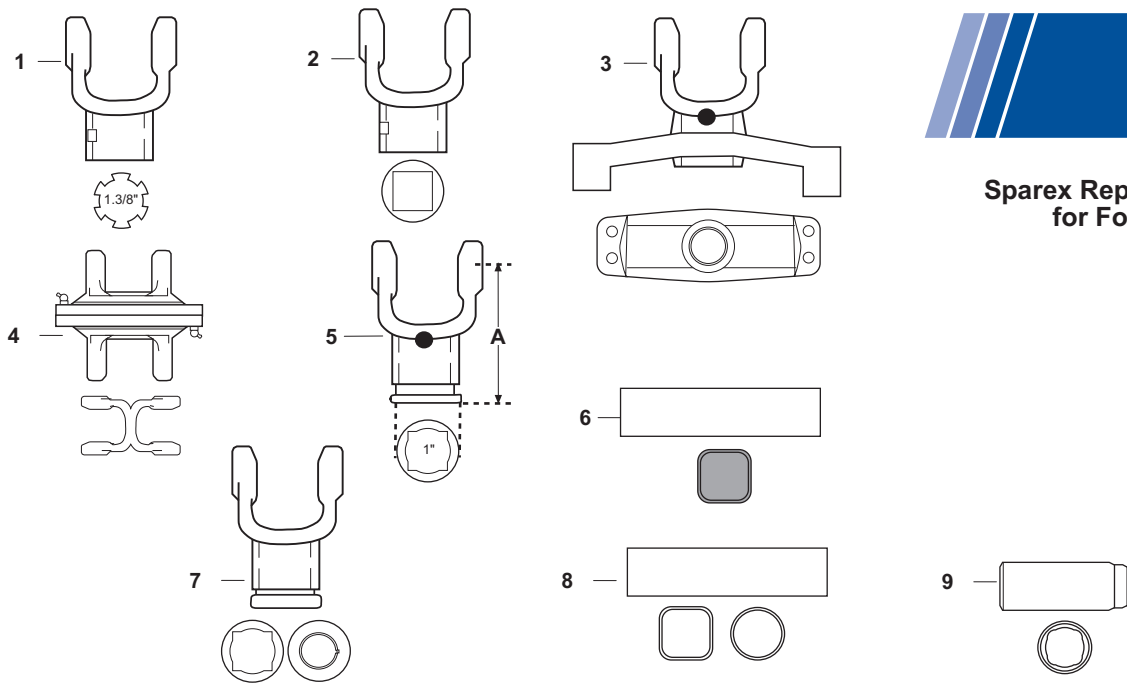


1800 Series Drive Shafts



SPAREX No.	DESCRIPTION	EQUIVALENT	TRACTOR MODEL
1	S.61409 Yoke (1 1/4"-6 Spline, 1/2" UNF Set Screw Hole)	700035	NH Mower/Conditioner/Baler; 472, 474, 478, 488, 489, 492, 1465, 311
2	S.60698 Yoke - Shaft Weld (1 x 1 1/8" Hole at 90° from Std)		NH Implements use 1800 Series Drive Shaft
3	200-1875 Cross & Bearing Kit - Inside Snap Rings (A=1", B=3 1/8")	47621	1800 Series Drive Shaft
4	18-7403 Yoke - Pin Type - Quick Disconnect (1 3/8"-6 Spline) Use Pin Repair Kit 56-1857	850616	1800 Series Drive Shaft (Note: Tractor end only)
4	18-7406 Yoke - Pin Type - Quick Disconnect (1 3/8"-21 Spline) Use Pin Repair Kit 56-1857		1800 Series Drive Shaft (Note: Tractor end only)
5	18-7330 Yoke - Collar Type - Quick Disconnect (1 3/8"-6 Spline) Use Collar Repair Kit 56-3001	86507242	1800 Series Drive Shaft (Note: Tractor end only)
5	18-7339 Yoke - Collar Type - Quick Disconnect (1 3/8"-21 Spline) Use Collar Repair Kit 56-3001	856558	1800 Series Drive Shaft (Note: Tractor end only)
6	18-7404 Yoke - Pin Type - Quick Disconnect (1 3/8"-6 Spline) Use Pin Repair Kit 56-1857		1800 Series Drive Shaft (Note: Implement end use only)
6	18-7405 Yoke - Pin Type - Quick Disconnect (1 3/8"-21 Spline) Use Pin Repair Kit 56-1857		1800 Series Drive Shaft (Note: Implement end use only)
7	18-7115 Implement Yoke - Round (1" Bore, 1/4" Keyway, w/ Set Screw Hole)		1800 Series Drive Shaft
7	18-7117 Implement Yoke - Round (1 1/8" Bore, 5/16" Keyway, w/ Set Screw Hole)		1800 Series Drive Shaft)
7	18-7119 Implement Yoke - Round (1 1/4" Bore, 5/16" Keyway, w/ Set Screw Hole)		1800 Series Drive Shaft
7	18-7315 Implement Yoke - Round (1 3/8" Bore, 17/32" Thru Hole)		1800 Series Drive Shaft
7	18-7120 Implement Yoke - Round (1 3/8" Bore, 5/16" Keyway, w/ Set Screw Hole)		1800 Series Drive Shaft
7	18-7313 Implement Yoke - Round (1 1/2" Bore, 3/8" Keyway, w/ 2 Set Screw Holes)		1800 Series Drive Shaft
8	18-7128 Implement Yoke - Hexagon (1 1/8" Bore, w/ Set Screw Hole)		1800 Series Drive Shaft
9	S.02950 Set Screw - Allen Head (3/8" x 1/2")		
9	S.02951 Set Screw - Allen Head (3/8" x 3/4")		
9	S.02952 Set Screw - Allen Head (3/8" x 1")		

1800 Series Drive Shafts

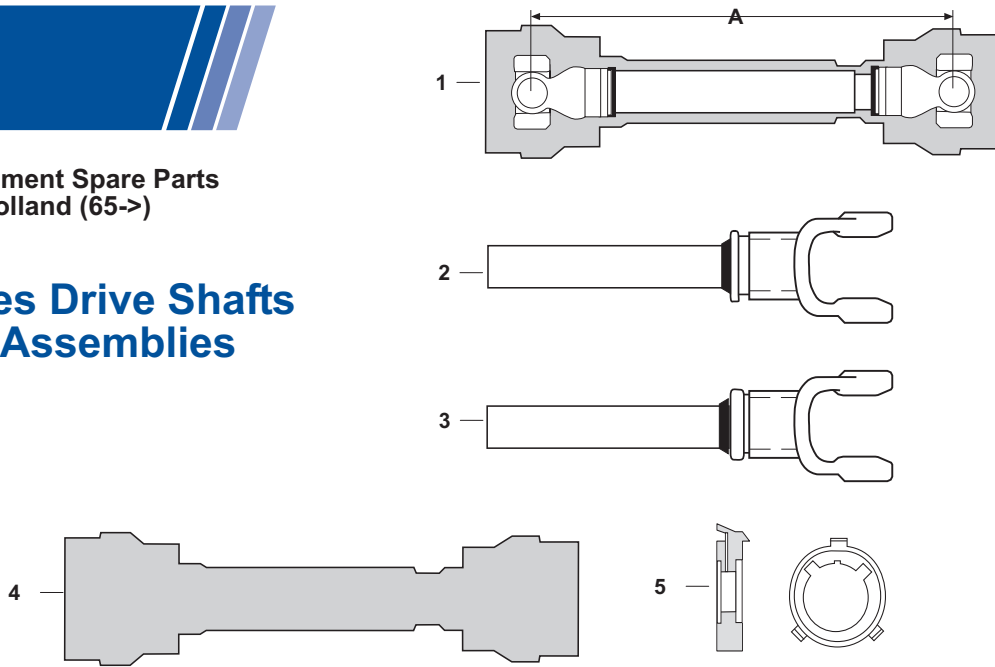


SPAREX No.	DESCRIPTION	EQUIVALENT	TRACTOR MODEL
1	18-7132 Implement Yoke (1 3/8"-6 Spline, Thru Hole)		1800 Series Drive Shaft
2	18-7125 Implement Yoke - Square (1" Bore)		1800 Series Drive Shaft
2	18-7127 Implement Yoke - Square (1 1/4" Bore)		1800 Series Drive Shaft
3	48-7202 Implement Yoke - Torque Limiter (1 1/16" Bore, 8" Dia, 7 1/4" Bolt Circle, 11/32" Hole, 4 Holes)		1800 Series Drive Shaft
4	18-1800 Implement Yoke - Double Pivot (2 1/8" Length c-c, 10° Static/7° Operating Angle)	SPECIAL ORDER	1800 Series Drive Shaft
4	18-1805 Implement Yoke - Double Pivot (2 7/8" Length c-c, 24° Static/22° Operating Angle)	SPECIAL ORDER	1800 Series Drive Shaft
4	18-1810 Implement Yoke - Double Pivot (3 3/8" Length c-c, 34° Static/31° Operating Angle)	SPECIAL ORDER	1800 Series Drive Shaft
5	18-7149 Shaft Weld Yoke (1" x 1 1/8" Bore, A=3 3/4") Use w/ Shaft 73-1001		1800 Series Drive Shaft
5	18-7327 Shaft Weld Yoke (1" x 1 1/8", A=3 1/2") Use w/ Shaft 73-1001		1800 Series Drive Shaft
6	73-1001 Rectangular Shaft - Solid (1" x 1 1/8", 72" Length)		1800 Series Drive Shaft
7	18-7328 Tube Weld Yoke (1 9/32" x 1 13/32" Bore) Use w/ Tube 600-2202 (1 1/4" x 1 3/8" Tube)		1800 Series Drive Shaft
7	18-7305 Tube Weld Yoke (1 1/2" Bore) Use w/ Tube 602-1400 (2" x .083" Tube)		1800 Series Drive Shaft
8	600-2022 Rectangular Tube (1 1/4" x 1 3/8" OD, 1" x 1 1/8" ID, 72" Length x .125 Thick)		1800 Series Drive Shaft
8	602-1400 Round Tube (2" OD, 72" Length x .083 Thick)		1800 Series Drive Shaft
9	53-2034 Slip Sleeve (1" x 1 1/8" ID, 5" Length x .083 Thick) Use w/ Tube 602-1400		1800 Series Drive Shaft

F13

Sparex Replacement Spare Parts
for Ford/New Holland (65->)

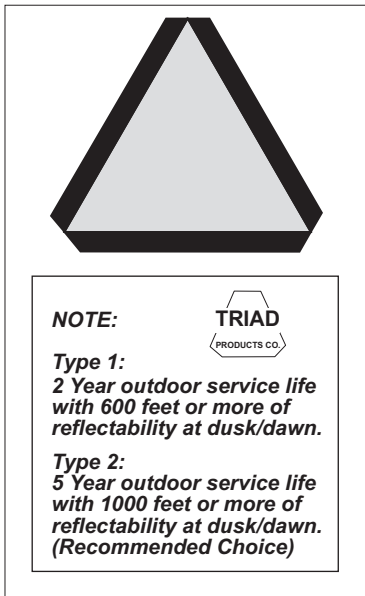
1800 Series Drive Shafts and Tube Assemblies



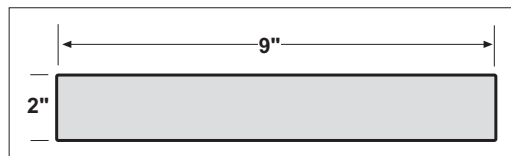
SPAREX No.	DESCRIPTION	EQUIVALENT	TRACTOR MODEL
1	58-1828 Drive Shaft w/ World Shield™ (A=36" Long, 28" min-38 max c-c)		1800 Series Drive Shaft
1	58-1840 Drive Shaft w/ World Shield™ (A=48" Long, 40" min-62" max c-c)	SPECIAL ORDER	1800 Series Drive Shaft
1	58-1852 Drive Shaft w/ World Shield™ (A=60" Long, 52" min-86" max c-c)	SPECIAL ORDER	1800 Series Drive Shaft
2	65-1828 Yoke & Shaft Assembly (36" Long, 24" c-end)		1800 Series Drive Shaft
2	65-1840 Yoke & Shaft Assembly (48" Long, 36" c-end)		1800 Series Drive Shaft
2	65-1852 Yoke & Shaft Assembly (60" Long, 48" c-end)		1800 Series Drive Shaft
3	64-1828 Yoke & Tube Assembly (36" Long, 24" c-end)		1800 Series Drive Shaft
3	64-1840 Yoke & Tube Assembly (48" Long, 36" c-end)		1800 Series Drive Shaft
3	64-1852 Yoke & Tube Assembly (60" Long, 48" c-end)		1800 Series Drive Shaft
4	900-1260 Shield - Plastic (60" - 52" Length x 5 3/4" OD Bell) Shield can be cut shorter to fit 36" & 48" Drives Included 920-1200 x 2		1800 Series Drive Shaft
5	920-1200 Shield Bearing - 2 per Box (2 1/16" ID, 1 1/32" Width) Use w/ Shield 900-1260		1800 Series Drive Shaft

Sparex Replacement Spare Parts
for Ford/New Holland (65->)

Slow Moving Vehicle Signs (SMV)



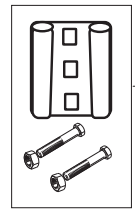
1



2



3



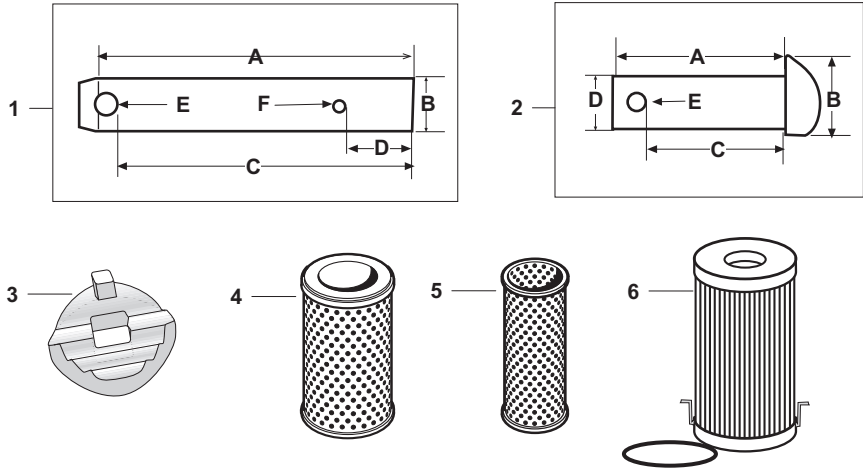
4

SPAREX No.	DESCRIPTION	EQUIVALENT	TRACTOR MODEL
1	S.60495	Slow Moving Vehicle Emblem - Metal - Type 1	
1	S.60494	Slow Moving Vehicle Emblem - Decal Only - Type 1	
1	S.60489	Slow Moving Vehicle Emblem - Metal - Type 2	
1	S.60492	Slow Moving Vehicle Emblem - Plastic - Type 2	
1	S.60491	Slow Moving Vehicle Emblem - Decal Only - Type 2	
2	S.60498	Reflective Strip w/ Cold Weather Adhesive - Red - Type 2	
2	S.60499	Reflective Strip w/ Cold Weather Adhesive - Yellow - Type 2	
3	S.60497	Slow Moving Vehicle Mounting Spade	
4	S.60496	Mounting Socket Includes Hardware	

F13

Sparex Replacement Spare Parts
for Ford/New Holland (65->)

Skid Loader and Industrial Filters, Implements and Miscellaneous



SPAREX No.	DESCRIPTION	EQUIVALENT	TRACTOR MODEL
1	S.60629 Pin - Mounts Stabilizer Arm to Mower Frame (A=6 3/8", B=7/8", C=5 1/2", D=1 7/16", E=7/16"ID, F=1/4"ID)	148452	501 Mower
2	S.60767 Pin - Mounts Upper Link to Mower Frame (A=3 1/8", B=1 1/16", C=2 11/16", D=3/4", E=1/4"ID)	148474	501 Mower
3	S.66509 Cultivator Washer	131044	
4	S.61808 Outer Air Filter - New Holland Skid Steer Loader (O.D. - 5 1/4", I.D. - 2 5/8", Height - 11 3/8")	86504145	L465, L565, LX465, LX485, LX665
5	S.61920 Inner Air Filter - New Holland Skid Steer Loader (O.D. - 2 1/2", I.D. - 2 1/4", Height - 10")	86504143	L465, L565, LX465, LX485, LX665
6	S.76535 Hydraulic Filter - Loader/Back Hoe	251483 7705675	455, 550, 555, 555A, 555B, 650, 6500, 655, 655A, 750, 7500, 755, 755A, 755B