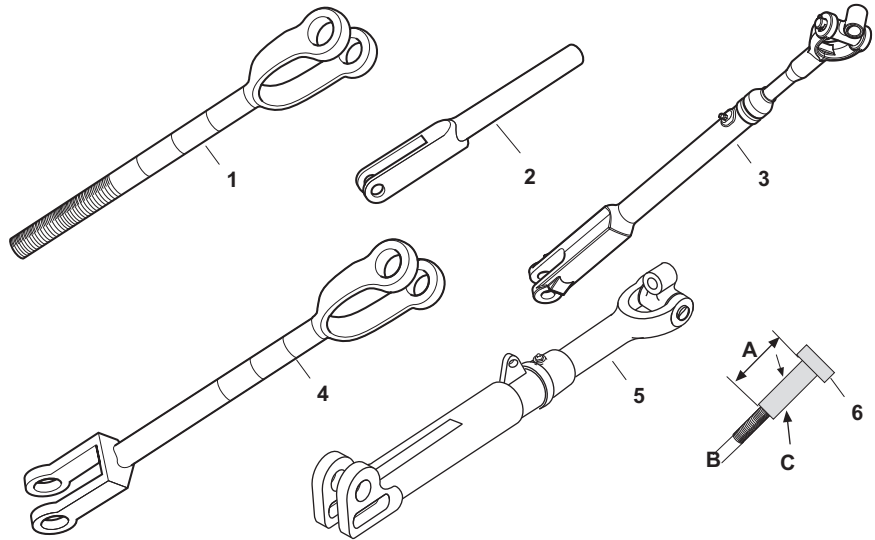




## Leveling Box and Related Components (Left Hand)



OUR No.	DESCRIPTION	EQUIVALENT	TRACTOR MODEL
1	<b>F65512</b> Yoke & Fork (15" - 13/16" UNC)	D3NNN673A E2NNN673AA	3900, 4100, 4600, 2810, 2910, 4610, 3230, 3430, 3930, 4130, 4640, 4840, 5030, TS90, TS100, TS110, Ind. (250C, 260C 9/92->), 345D, 420, 445D, 515, 532, 535, 545D
1	<b>F17011</b> Yoke & Fork (13 1/2" - 3/4" UNC)	E4NNN673AA C5NNN673AA	(4000 except Rowcrop), 4000SU, (3910, 4110 Cat 1), 4610SU, Ind. (250C, 260C ->8/92), 340, 340A, 340B, 345D, 3550, 4400, 4500, 445, 445A, 445C, 450, 540, 540A, 540B, 545, 545A, 545C
1	<b>F65513</b> Yoke & Fork (16 1/4" - 1 1/8" UNC)	C5NNB863C	5000, 7000, 5600, 5900, 6600, 6700, 7600, 7700, 5610, 6610, 6710, 6810, 7610, 7710
2	<b>F65796</b> Fork (13.38" - 13/16" UNC)	E0NN585CA	3900, 4100, 4600, 2810, 2910, 4610, 3230, 3430, 3930, 4130, 4630, 4830, 5030, Ind. (250C, 260C 9/92->), 345D, 420, 445D, 515, 532, 535, 545D
2	<b>F11315</b> Fork (20.13" - 3/4" UNC)	C5NN585B	(4000 except Rowcrop or SU), Ind. 3550, 4400, 4500
2	<b>F60655</b> Fork (15" - 1 1/8" UNC)	C7NNA935C	5000, 5600, 6600, 6700, 7600, 7700
2	<b>F17800</b> Fork (16 1/4" - 1 1/8" UNC)	E0NNA935AA	5900, 5610, 6610, 6710, 6810, 7610, 7710, 7810S, 8010
3	<b>F61034</b> Lift Assembly - LH		2000, 3000, 2600, 3600, 2310, 2610, 3610, Ind. 230A, 231, 334, 335, 530A, 531
3	<b>F61040</b> Lift Assembly - LH		4000, 4600, Ind. 4400, 4500
4	<b>F40968</b> Lift Shaft - LH	C5NN564B	2000, 3000, 2600, 3600, 2610, 3610, Ind. 2110LCG, 231, 335, 3400, 3500, 531
5	<b>F61772</b> Lift Shaft - LH		5000, 7000, 5900, 5610, 6610, 6710, 7610, 7710, 7810, 7910, 8210
6	<b>F66334</b> Bolt & Nut - Lower Link - Attaching (A=1 3/4", B=1/2", C=5/8"ø)		Universal
6	<b>F66335</b> Bolt & Nut - Lower Link - Attaching (A=1 3/4", B=1/2", C=3/4"ø)		4000, 3900, 4100, 4600, 4110, 4610, Ind. 3550, 4400, 4500, 515

We have attempted to insure the accuracy of the information listed and reserve the right for type error.

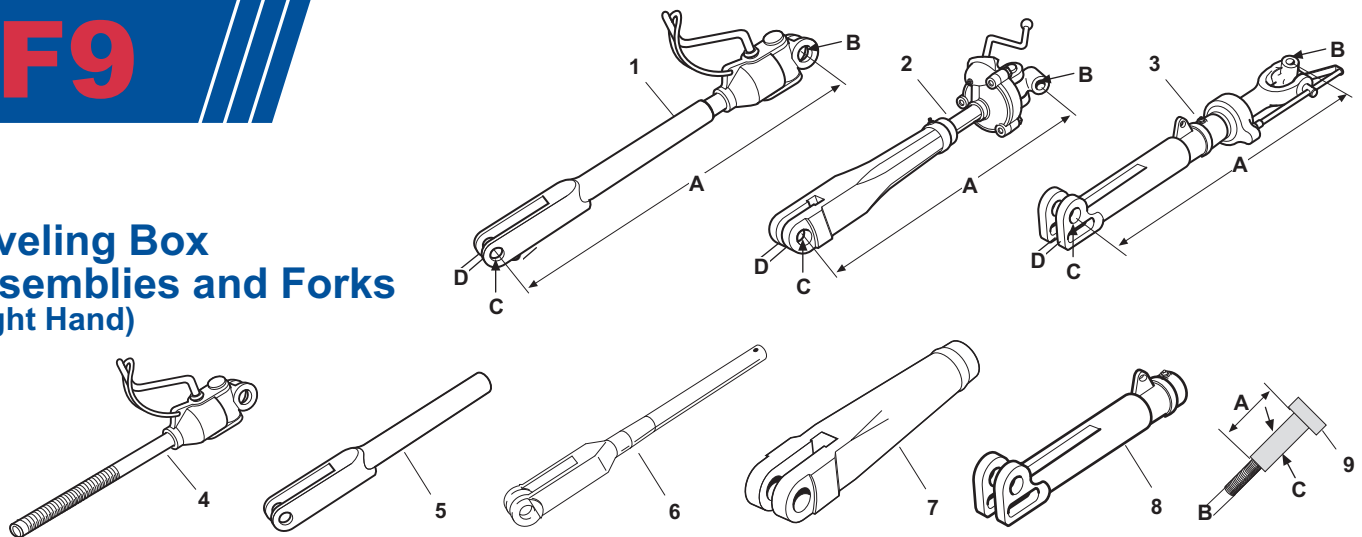
Some part numbers and manufactures' names are used strictly for reference purpose only Any prices listed are subject to change without notice and are in U.F dollarF Not all items are stocking items

www.ForMenWhoGrow.com - Contact: RickStair@gmail.com



# F9

## Leveling Box Assemblies and Forks (Right Hand)



OUR No.	DESCRIPTION	EQUIVALENT	TRACTOR MODEL
1	<b>F00579</b> Leveling Box Assembly w/ Fork (A=21 1/2" c-c, B=5/8"ø, C=5/8"ø, D=5/8")		2000, 3000, 2600, 3600, 2310, 2610, 3610, Ind. 2110LCG, 334, 3400, 3500
1	<b>F11317</b> Leveling Box Assembly w/ Fork (A=27 1/2" c-c, B=5/8"ø, C=5/8"ø, D=7/8")	C5NN569AM C5NN585B	4000, Ind. 3550, 4400, 4500
1	<b>F14860</b> Leveling Box Assembly w/ Fork Cat 2 (A=26 3/4" c-c, B=3/4"ø, C=3/4"ø, D=13/16")	E4NN569BA E0NN585CA	3900, 4100, 4600, 4110, 4610, Ind. 515
2	<b>F60677</b> Leveling Box Assembly w/ Fork (A=26" c-c, B=7/8"ø, C=1"ø, D=7/8")	D2NNN983A C7NNA935C	(5000, 7000, 5600, 6600, 6700, 7600, 7700 w/ 34" Lift Links)
3	<b>F61773</b> Leveling Box Assembly w/ Fork (A=28" c-c, B=7/8"ø, C=1"ø, D=3/4")	E0NN569KB E0NNA935AA	5900, 5610, 6610, 6710, 6810, 7610, 7710, 7810, 7910, 8210
4	<b>F16765</b> Leveling Box - less Fork	C7NN569A	(2000, 3000, Ind. 2110LCG, 3400, 3500, 4110LCG 2/70->)
5	<b>F00393</b> Fork (14.38" Long - 3/4" UNC)	E0NN585BA C5NN585B	(2000, 3000, 3400, 3500, 4110LCG w/ Dual Catagory Linkage ->1/70)
6	<b>F65796</b> Fork (13.38" Long - 13/16" -12)	E0NN585CA	(3900, 4100, 4600, 4110, 4610 Cat 2), 3230, 3430, 3930, 4130, 4630, 4830, 5030, Ind. 420, 515, 532, 535 (545C, 545D 9/92->)
6	<b>F11315</b> Fork (20.13" Long - 3/4" UNC)	C5NN585B	(4000 except Rowcrop), Ind. 3550, 4400, 4500
7	<b>F60655</b> Fork (15" Long - 1 1/8" UNC)	C7NNA935C	5000, (5600, 6600, 6700, 7600, 7700 w/ 34" Lift Arms)
8	<b>F17800</b> Fork (16.25" Long)	E0NNA935AA	5900, 5610, 6610, 6710, 6810, 7610, 7710, 7810S, 7910, 8010, 8210
9	<b>F66334</b> Bolt & Nut - Lower Link - Attaching (A=1 3/4", B=1/2", C=5/8"ø)		Universal
9	<b>F66335</b> Bolt & Nut - Lower Link - Attaching (A=1 3/4", B=1/2", C=3/4"ø)		4000, 3900, 4100, 4600, 4110, 4610, Ind. 3550, 4400, 4500, 515

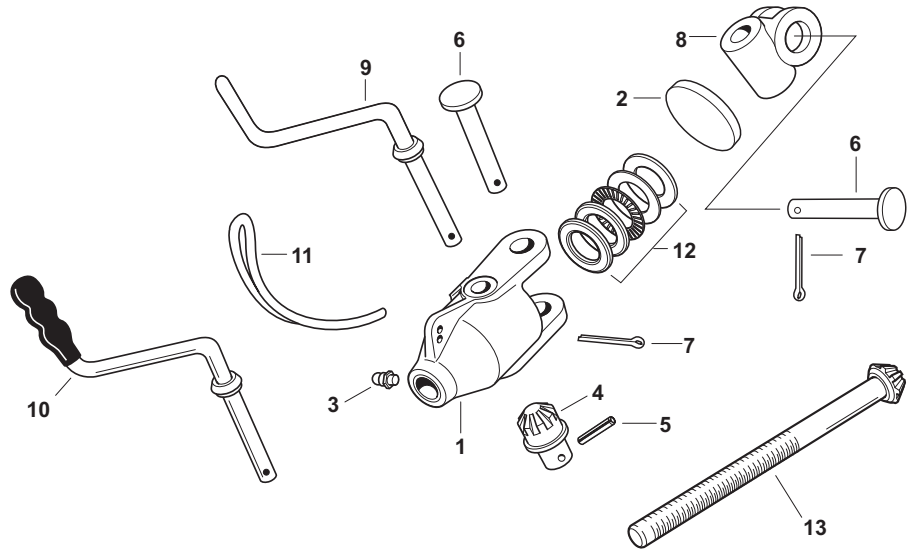
We have attempted to insure the accuracy of the information listed and reserve the right for type error.

Some part numbers and manufactures' names are used strictly for reference purpose only Any prices listed are subject to change without notice and are in U.F dollarF Not all items are stocking items

www.ForMenWhoGrow.com - Contact: RickStair@gmail.com



## Leveling Box Components (Right Hand)



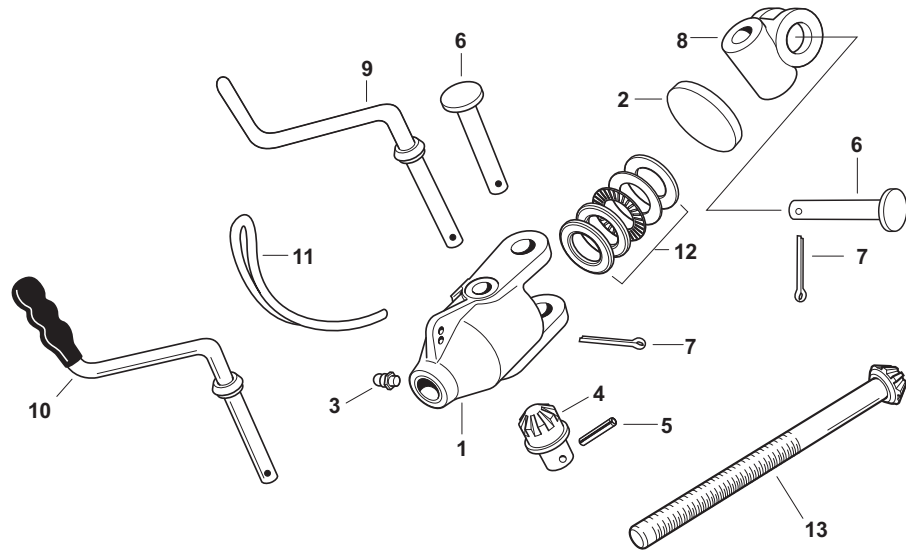
OUR No.	DESCRIPTION	EQUIVALENT	TRACTOR MODEL	
1	F00541	Housing - Bare - Cat 1	C5NN565C	2000, 3000, 4000, 2600, 3600, 4600, 2310, 2610, 2810, 2910, 3610, 3910, 4110, 4610, Ind. 2110LCG, 230A, 231, 233, (250C, 260C ->9/82), 333, 334, 335, 340, 340A, 340B, 3400, 345C, 3500, 445, 445A, 445C, 450, 4400, 4500, 530A, 531, 540, 540A, 540B, 545, 545C
1	F65814	Housing - Bare	D3NN565A	3900, 4100, 4600 (4110, 4610 Cat 2), 3230, 3430, 3930, 4130, 4630, (4830, 5030 2/93->), Ind. 420, 515, 532, 535
2	F00538	Plug - Expansion (1 3/4" Dia)	74127S	Most 3 Cylinder Cat 1 Models
3	F00821	Grease Zerk (1/4" UNF)	87414 87907S8	
4	F03213	Gear	C7NN568C	2000, 3000, 4000, 2600, 3600, 4600, 2310, 2610, 2810, 2910, 3610, 3910, 4110, 4610, Ind. 2110LCG, 230A, 231, 233, (250C, 260C ->9/82), 333, 334, 335, 340, 340A, 340B, 3400, 345C, 3500, 445, 445A, 445C, 450, 4400, 4500, 530A, 531, 540, 540A, 540B, 545, 545C
4	F66315	Gear	C7NN568B	5000, 7000, 8000, 8600, 8700, 9000, 9600, 9700, 5600, (5900 ->12/82), 6600, 6700, 7600, 7700, (5610, 6610, 6710, 6810, 7610, 7710 ->12/82), TW10, TW20, TW30
5	F01115	Roll Pin (3/16" x 3/4")	305061S2	2000, 3000, 4000, 2600, 3600, 4600, 2310, 2610, 2810, 2910, 3610, 3910, 4110, 4610, Ind. 2110LCG, 230A, 231, 233, (250C, 260C ->9/82), 333, 334, 335, 340, 340A, 340B, 3400, 345C, 3500, 445, 445A, 445C, 450, 4400, 4500, 530A, 531, 540, 540A, 540B, 545, 545C
6	F01640	Pin (5/8" x 2 7/8" useable)	9N595	Same as Above
6	F61556	Pin (5/8" x 3 7/16" useable)		Same as Above
7	F01501	Cotter Key	72035S8	Same as Above
8	F01796	Knuckle	957E566	Same as Above
8	F14936	Knuckle	C5NNP929A	5000, 7000, 5600, 5900, 6600, 6700, 7600, 7700, 5610, 6610, 6710, 6810, 7610, 7710, 7810, 7910, 8210, 8000, 8600, 8700, 9000, 9600, 9700, TW10, TW20, TW30
8	F74636	Knuckle	E9NNB480AA	3230, 3430, 3930, 4130, 4630, 4830, 5030, Ind. (250C, 260C 9/92->), 345D, 445D, 545D
9	F00225	Handle - All Steel	957E594	2000, 3000, 4000, 2600, 3600, 3900, 4100, 4600, 2310, 2610, 3610, 4610SU, Ind. 230A, 231, 233, 333, 334, 335, 340A, 340B, 3400, 3500, 3550, 420, 445, 445A, 450, 4110LCG, 4400, 4500, 515, 530A, 531, 532, 535, 540, 540A, 540B, 545, 545A

We have attempted to insure the accuracy of the information listed and reserve the right for type error.

Some part numbers and manufactures' names are used strictly for reference purpose only  
 All prices listed are subject to change without notice and are in U.F dollar\$ Not all items are stocking items

www.ForMenWhoGrow.com - Contact: RickStair@gmail.com

# F9



## Leveling Box Components (Right Hand)

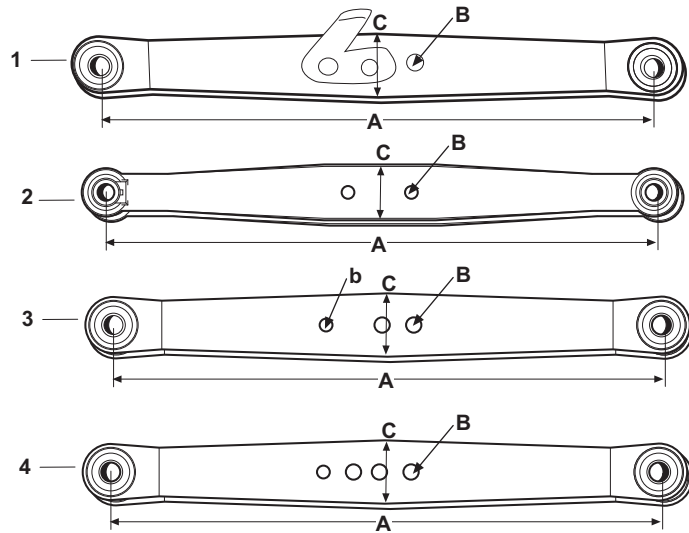
OUR No.	DESCRIPTION	EQUIVALENT	TRACTOR MODEL
10	<b>F65798</b> Handle w/ Molded Handle Grip - May not work with Roll Bars	C5NN594E	2000, 3000, 4000, 2600, 3600, 3900, 4100, 4600, 2310, 2610, 3610, 4610SU, Ind. 230A, 231, 233, 333, 334, 335, 340A, 340B, 3400, 3500, 3550, 420, 445, 445A, 450, 4110LCG, 4400, 4500, 515, 530A, 531, 532, 535, 540, 540A, 540B, 545, 545A
11	<b>F00536</b> Retaining Clip		Same as Above
12	<b>F00537</b> Bearing Assembly - Cat 1	957E554B	2000, 3000, 4000, 2600, 3600, 4600, 2310, 2610, 2810, 2910, 3610, 3910, 4110, 4610, Ind. 2110LCG, 230A, 231, 233, (250C, 260C ->9/82), 333, 334, 335, 340, 340A, 340B, 3400, 345C, 3500, 445, 445A, 445C, 450, 4400, 4500, 530A, 531, 540, 540A, 540B, 545, 545C
12	<b>F65815</b> Bearing Assembly	E7NN554AA D3NN554A	3900, 4100, 4600, (4110, 4610 Cat 2), Ind. 420, 515, 532, 535
13	<b>F00242</b> Shaft (11.5" Long - 3/4" UNC)	C5NN579F	2000, 3000, 2600, 3600, 2310, 2610, 3610, Ind. 230A, 231, 233, 333, 334, 335, 340, 340A, 340B, 3400, 3500, 4110LCG, 530A, 531
13	<b>F00243</b> Shaft (13" Long - 3/4" UNC)	E4NN579AA C5NN579E	4200 Rowcrop, (3900, 4100, 4600 4/76->), (4600SU w/ Cab), (2810, 2910, 3910, 4110 Cat 1), Ind. (250C, 260C, ->8/92), 345C, 445, 445A, 445C, 4400, 4500, 515, (532, 535 4/76->), 540, 540A, 540B, 545, 545A, 545C
13	<b>F65797</b> Shaft (14 5/8" Long - 13/16-12)	E2NN579AA	3900, 4100, 4600, 4110, 4610, 3230, 3430, 3930, 4130, 4630, 4830, 5030, Ind. 420, 515, 532, 535
13	<b>F65971</b> Shaft (13.13" Long - 1 1/8" UNC)	C5NNN579C	5000, 7000, 5600, (5900 81-12/82), 6600, 6700, 7600, 7700, (5610, 6610, 6710, 6810, 7610, 7710 81-12/82)

We have attempted to insure the accuracy of the information listed and reserve the right for type error.

Some part numbers and manufactures' names are used strictly for reference purpose only  
Any prices listed are subject to change without notice and are in U.F dollarF Not all items are stocking items



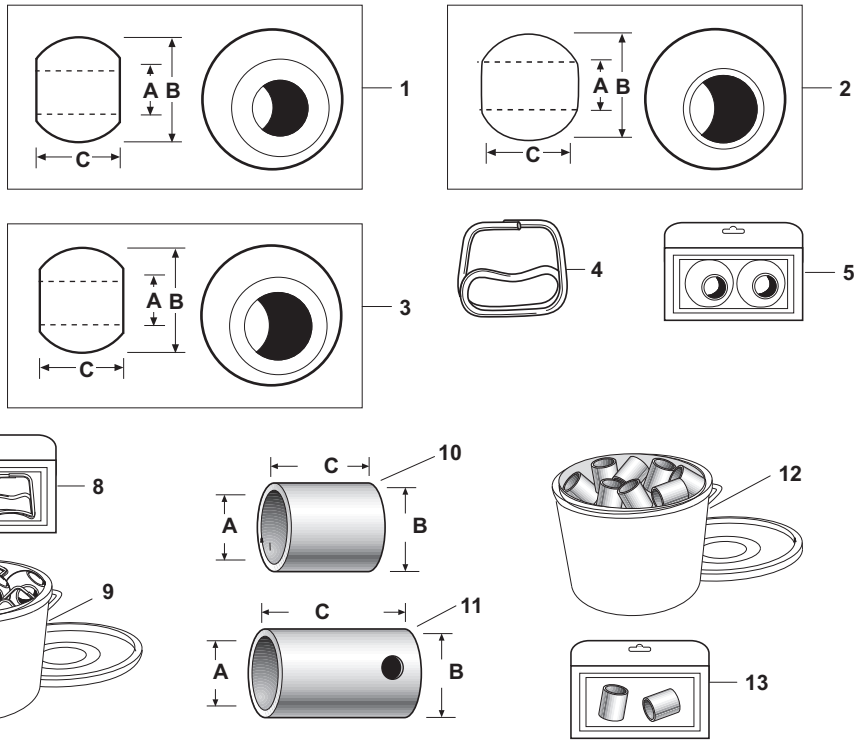
## Lift Arms



OUR No.	DESCRIPTION	EQUIVALENT	TRACTOR MODEL
1	<b>F61415</b> Lift Arm - RH - Cat 1-1 - Rigid (A=32", B=5/8", C=2 3/4")	D0NN555D	2000, 3000, 2600, 3600, 2310, 2610, 2810, 2910, 3610, Ind. 230A, 231, 233, 2110LCG, 333, 334, 335, 340, 340A, 340B, 445, 445A, 530A, 531, 540, 540A, 540B, 545, 545A
1	<b>F61416</b> Lift Arm - LH - Cat 1-1 - Rigid (A=32", B=5/8", C=2 3/4")	D0NN555C	Same as Above
1	<b>F60432</b> Lift Arm - RH - Cat 1-1 - Rigid (A=33", B=5/8", C=3 5/8")		2000, 3000, 2600, 3600, 2310, 2610, 2810, 2910, 3610 Ind. 230A, 231, 233, 2110LCG, 333, 334, 335, 340, 340A, 340B, 445, 445A, 530A, 531, 540, 540A, 540B, 545, 545A (Measure carefully before ordering - 33" long c-c)
1	<b>F60433</b> Lift Arm - LH - Cat 1-1 - Rigid		Same as Above
2	<b>F65972</b> Lift Arm - LH/RH - Cat 2 - Rigid (A=35", B=3/4", C=3 1/2")	C7NN555S	4000, 3900, 4100, 4600, 3910, 4110, 4610, Ind. 345D, 3550, 420, 445D, 4400, 4500, 515, 532, 535
3	<b>F65974</b> Lift Arm - LH/RH - Cat 2 - Rigid (A=35", B=1", b=3/4", C= 3 15/16")	D2NN555E	5000, 7000, 5600, 6600, 6700, 7600, 7700
4	<b>F66311</b> Lift Arm - LH/RH - Cat 2 - Rigid (A=36")	D2NN555D	(5000, 7000 5/73->), 5600, 5900, 6600, 6700, 7600, 7700, 5610, 5610S, 6610, 6610S, 6710, 6810, 7610, 7610S, 7710



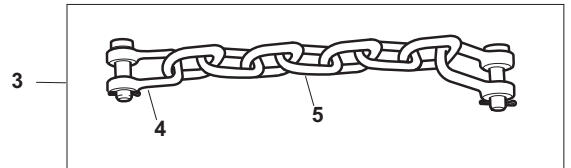
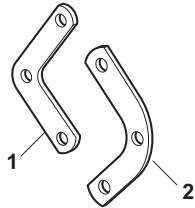
# Lift Arm Balls, Bushings and Related Components



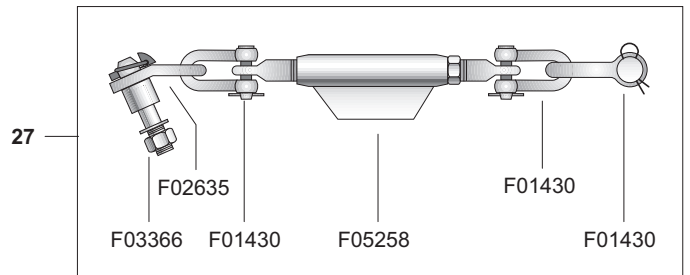
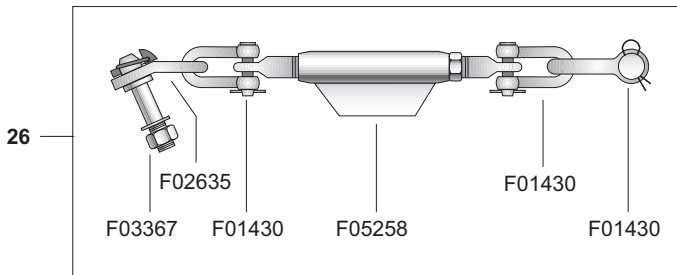
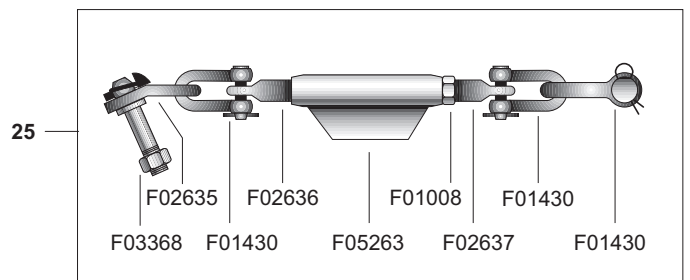
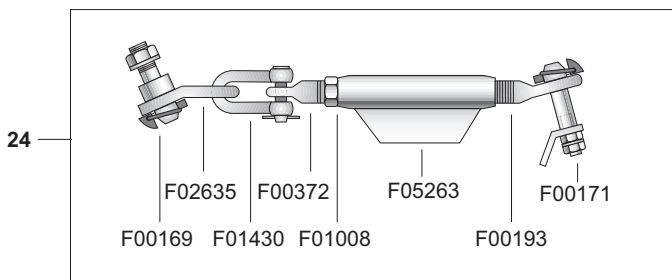
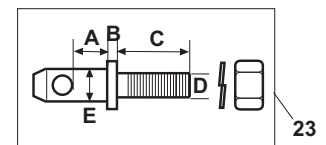
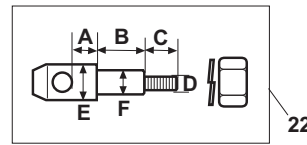
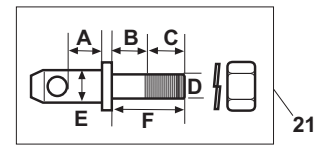
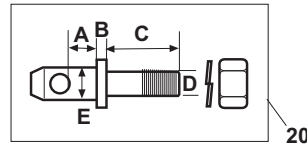
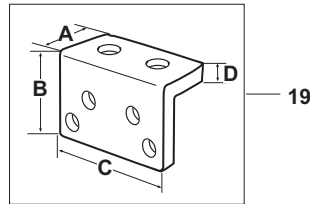
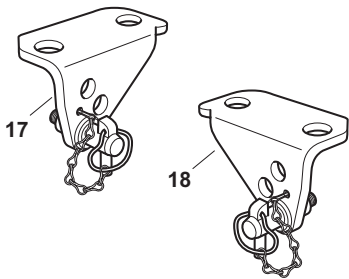
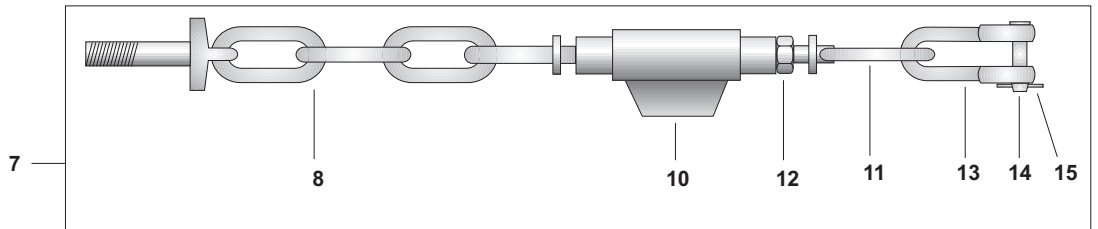
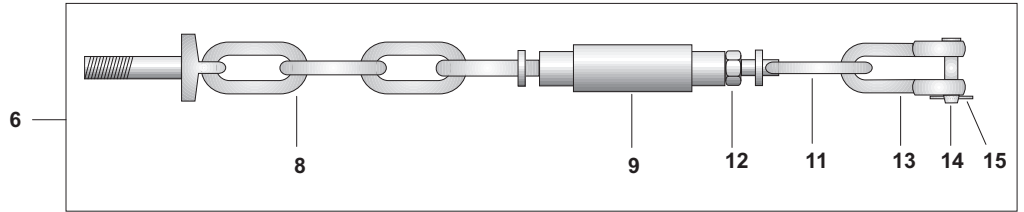
OUR No.	DESCRIPTION	EQUIVALENT	TRACTOR MODEL
1	<b>F00056</b> Ball - Lift Arm - Cat 1 (A=7/8", B=2 1/4", C=1 3/8")	E1ADDN995233	
2	<b>F00057</b> Ball - Lift Arm - Cat 2 (A=1 1/8", B=2 1/4", C=1 3/4")	C5NN557A	
3	<b>F03057</b> Ball - Lift Arm - Cat 2 (A=1 1/8", B=2 1/4", C=1 3/8")	C5NN557B	
3	<b>F18390</b> Ball - Lift Arm - Cat 2	9971701	Fits: TN Series
4	<b>F00127</b> Clip - Ball Retaining	C5NNN557B	Fits: F00056, F00057, F03057
5	<b>F04127</b> Display Pack		Contains: F00056 x 2
5	<b>F04128</b> Display Pack		Contains: F00057 x 2
6	<b>F01611</b> Ball w/ Clip - Dual Category		
7	<b>F00128</b> Clip - Dual Category Ball		Use w/ Dual Category Ball only
8	<b>F03224</b> Display Pack		Contains: F01611 x 2
9	<b>F01612</b> Bucket of Balls & Clips		Contains: F01611 x 10
10	<b>F00351</b> Bushing - Lift Arm - Cat 2-Cat 1 (A=7/8", B=1 1/8", C=1 3/4")		
10	<b>F00529</b> Bushing - Lift Arm - Cat 2-Cat 1 (A=1 1/8", B=1 7/16" x 2 1/16")		
10	<b>F03009</b> Bushing - Lift Arm - Cat 3-Cat 2 (A=1 1/8", B=1 7/16" x 1 3/4")		
11	<b>F03010</b> Bushing - Lift Arm - Cat 3-Cat 2 (A=1 1/8", B=1 7/16" x 2 1/2")		
12	<b>F00360</b> Bucket of Bushings		Contains: F00351 x 12 (Lower Link Bushings), F00353 x 24 (Cat 2-1 Top Link Bushings)
13	<b>F08485</b> Display Pack		Contains: F 00351 x 2
13	<b>F02262</b> Display Pack		Contains: F 00351 x 2, F00353 x 1
13	<b>F04121</b> Display Pack		Contains: F 00529 x 2, F03008 x 1

We have attempted to insure the accuracy of the information listed and reserve the right for type error.

Some part numbers and manufactures' names are used strictly for reference purpose only. Any prices listed are subject to change without notice and are in U.F dollar. Not all items are stocking items.



# Check Chains and Stabilizers



We have attempted to insure the accuracy of the information listed and reserve the right for type error.

Some part numbers and manufactures' names are used strictly for reference purpose only. Any prices listed are subject to change without notice and are in U.F dollar. Not all items are stocking items.

www.ForMenWhoGrow.com - Contact: RickStair@gmail.com





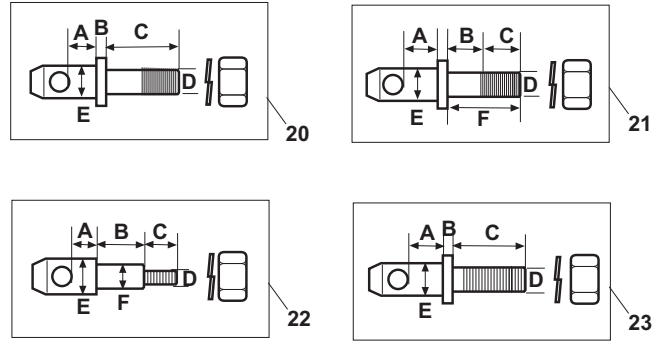
## Check Chain and Stabilizers

OUR No.	DESCRIPTION	EQUIVALENT	TRACTOR MODEL
1	<b>F66512</b> Check Chain Anchor - LH	957E596	<b>2000, 3000, 2600, 3600, 2310, 2610, 3610, 2110LCG, 230A, 231, 233, 333, 334, 335, 3400, 3500, 4110LCG, 530A, 531</b>
2	<b>F66511</b> Check Chain Anchor - RH	957E597	<b>Same as Above</b>
3	<b>F00064</b> Check Chain Assembly - 7 Links (2-3/8" Clevis)		<b>Same as Above</b>
4	<b>F01412</b> Clevis Assembly - (3/8")	C5NNA945C	<b>Same as Above</b>
5	<b>F00066</b> Chain - 7 Links	957E591	<b>Same as Above</b>
6	<b>F04456</b> Stabilizer Assembly (A=2 Links) (Old Style Turnbuckle)	CFPND936A	<b>4000, 3900, 4100, 4600, 3910, 4110, 4610, 3230, 3430, 3930, 4130, 4630, 4830, 5030</b>
6	<b>F04457</b> Stabilizer Assembly (A=3 Links) (Old Style Turnbuckle)	CFPND936B	<b>5000, 7000, 5600, 6600, 6700, 7600, 7700, 5610, 6610, 6710, 6810, 7610, 7710, 7810, 7910, 8210</b>
7	<b>F11197</b> Stabilizer Assembly (A=2 Links) (New Style Turnbuckle - Weighted)		<b>4000, 3900, 4100, 4600, 3910, 4110, 4610, 3230, 3430, 3930, 4130, 4630, 4830, 5030</b>
7	<b>F11198</b> Stabilizer Assembly (A=3 Links) (New Style Turnbuckle)		<b>5000, 7000, 5600, 6600, 6700, 7600, 7700, 5610, 6610, 6710, 6810, 7610, 7710, 7810, 7910, 8210</b>
8	<b>F04459</b> Chain Assembly (A=2 Links)	D3NNA946A	<b>4000, 3900, 4100, 4600, 3910, 4110, 4610, 3230, 3430, 3930, 4130, 4630, 4830, 5030</b>
8	<b>F04460</b> Chain Assembly (A=3 Links)	E2NNA946AA C5NNA946T	<b>5000, 7000, 5600, 6600, 6700, 7600, 7700, 5610, 6610, 6710, 6810, 7610, 7710, 7810, 7910, 8210, 5640, 6640, 7740, 7840, 8240, 8340, TS90, TS100, TS110</b>
9	<b>F04247</b> Turnbuckle (Old Style)	E1ADKN995192	
10	<b>F04252</b> Turnbuckle (New Style - Weighted)	E1NNR837AA	
11	<b>F04461</b> Eyebolt	C5NNA867B	<b>F04456, F04457, F11197, F11198</b>
12	<b>F01008</b> Nut (3/4")	34691S36	
13	<b>F04462</b> Clevis w/ 2 Holes - less Pin	D0NNH846A	<b>4000, 5000, 7000, 3900, 4100, 4600, 5600, 6600, 6700, 7600, 7700, 3910, 4110, 4610, 5610, 6610, 6710, 6810, 7610, 7710, 7810, 7910, 8210, 3230, 3430, 3930, 4130, 4630, 4830, 5030</b>
14	<b>F04463</b> Clevis - less Hair Pin	355278S36	<b>Same as Above</b>
15	<b>F00010</b> Hair Pin	377361S36	<b>Same as Above</b>
16	<b>F65557</b> Washer - Stabilizer Attaching	C5NND853B	<b>4000, 5000, 7000, 3900, 4100, 4600, 5600, 6600, 6700, 7600, 7700, 3910, 4110, 4610, 5610, 6610, 6710, 6810, 7610, 7710, 7810, 7910, 8210, 3230, 3430, 3930, 4130, 4630, 4830, 5030</b>
17	<b>F00161</b> Stabilizer Bracket - RH - w/ Pin (F00169) & Chained Linch Pin	C5NNN928D	<b>2000, 3000, 2600, 3600, 2310, 2610, 3610, Ind. 231, 233, 234, 2110LCG, 3400, 3500, 4110LCG, 531</b>
18	<b>F00160</b> Stabilizer Bracket - LH - w/ Pin (F00169) & Chained Linch Pin	C5NNN928D	<b>Same as Above</b>
19	<b>F42816</b> Stabilizer Bracket - Universal (A=2 1/2", B=3 1/2", C=6 11/16, D=25/64")	C5NNN928D	<b>Same as Above</b>

We have attempted to insure the accuracy of the information listed and reserve the right for type error.

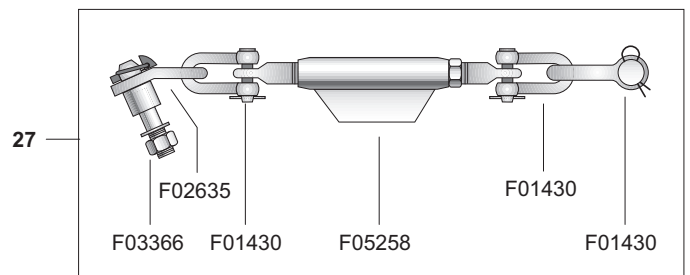
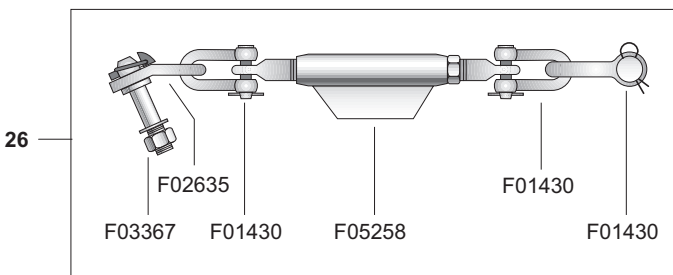
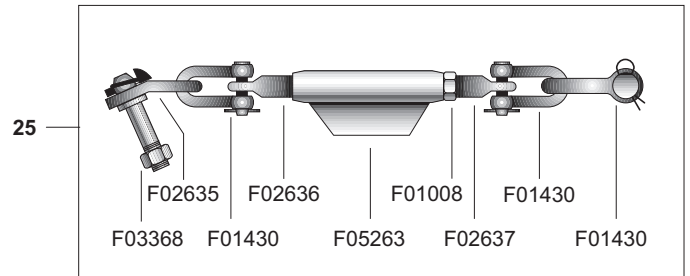
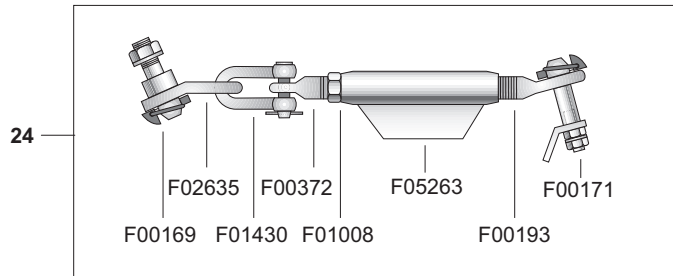
Some part numbers and manufactures' names are used strictly for reference purpose only Any prices listed are subject to change without notice and are in U.F dollarF Not all items are stocking items





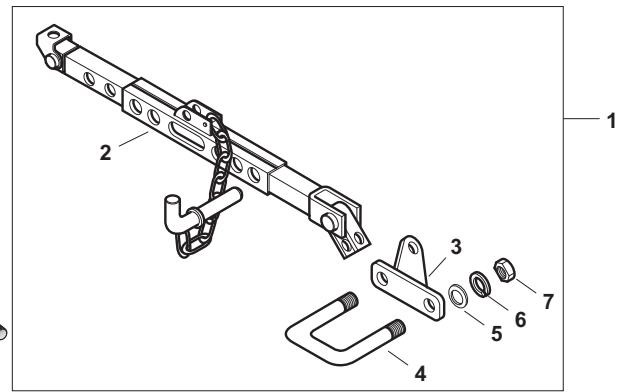
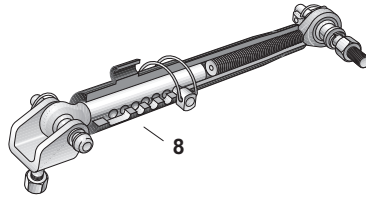
## Check Chain and Stabilizers

OUR No.	DESCRIPTION	EQUIVALENT	TRACTOR MODEL
20	<b>F00169</b> Stabilizer Pin (A=3/8", B=1/8", C=1 1/4", D=5/8", E=7/8")	230044F	<b>2000, 3000, 2600, 3600, 2310, 2610, 3610, Ind. 231, 233, 234, 2110LCG, 3400, 3500, 4110LCG, 531</b>
21	<b>F75985</b> Stabilizer Pin (A=1/2", B=11/16", C=1 3/16", D=5/8", E=7/8", F=1 7/8")	C5NNN873A	<b>(2000, 3000 1/72-&gt;), 4000SU, 5000, 7000, 4100, 4600, 5600, 5900, 6600, 7600, 7700, 2910, 3910, 4110, 4610, 5610, 6610, 6710, 6810, 7610, 7710, Ind. 340, 340A, 340B, (3400, 3500 1/72-&gt;), 335, 420, 4110LCG, 445A, 450, 540, 540A, 540B, 545, 545A, 515, 532</b>
22	<b>F75984</b> Stabilizer Pin w/ Flexible Lift Arm End (A=1/2", B=1 1/2", C=3/4", D=1/2", E=1", F=3/4")	C5NNN873B	<b>4000, 5000, 7000, 5900, 4600, 5600, 6600, 6700, 7600, 7700, 2810, 2910, 3910, 4110, 4610, 5610, 6610, 6710, 6810, 7610, 7710, (-&gt;7/93), 3230, 3430, 3930, 4130, 4630, 4830, 5030, Ind. 4400, 4500, 515, 532</b>
23	<b>F66510</b> Stabilizer Pin (A=1", B=1/8", C=1 1/8", D=5/8", E=7/8")	141183	
24	<b>F03315</b> Stabilizer Assembly		<b>2000, 3000, 2600, 3600</b>
25	<b>F03282</b> Stabilizer Assembly		<b>4000, 4100, 4600</b>
26	<b>F03283</b> Stabilizer Assembly		<b>5000, 5600, 6600, 6700</b>
27	<b>F03284</b> Stabilizer Assembly		<b>7000, 7600, 7700</b>



# F9

## Bar Hole Stabilizers and Related Components



OUR No.	DESCRIPTION	EQUIVALENT	TRACTOR MODEL
1	<b>F66665</b> Bar Hole Stabilizer Kit - RH (18-23") Includes: Flatwashers, Lockwashers & Nuts	D9NNB856B F3040LB	4000, 3900, 4100, 4600, 2810, 2910, 3910, 4110, 4610, 3230, 3430, 3930, 4130, 4630, 4830, 5030, Ind. 250C, 260C, 335, 3550, 420, 4400, 4500, 515, 532, 535
1	<b>F66666</b> Bar Hole Stabilizer Kit - LH (18-23") Includes: Flatwashers, Lockwashers & Nuts	D9NNB856B F3040LB	Same as Above
1	<b>F66667</b> Bar Hole Stabilizer Kit - RH (21 1/4-27") Includes: Flatwashers, Lockwashers & Nuts	D9NN856AA	5000, 7000, 5600, 6600, 6700, 7600, 7700, 5610, 6610, 6710, 7610, 7710, 7910, 8210
1	<b>F66668</b> Bar Hole Stabilizer Kit - LH (21 1/4-27") Includes: Flatwashers, Lockwashers & Nuts	D9NN856AA	Same as Above
2	<b>F66558</b> Bar Hole Stabilizer	D9NNB856B	2910, 3910, 4110, 4610, 3230, 3430, 3930, 4130, 3630, 4830, 5030, Ind. 250C, 260C
2	<b>F66569</b> Bar Hole Stabilizer	D9NN856AA	5610, 6610, 6710, 7610, 7710, 7910, 8210
3	<b>F66584</b> Bracket - RH	C7NND933B	2910, 3910, 4110, 4610, 3230, 3430, 3930, 4130, 3630, 4830, 5030, Ind. 250C, 260C
3	<b>F66585</b> Bracket - LH	C7NND932B	2910, 3910, 4110, 4610, 3230, 3430, 3930, 4130, 3630, 4830, 5030, Ind. 250C, 260C
3	<b>F66586</b> Bracket - RH	C7NND933A	5610, 6610, 6710, 7610, 7710, 7910, 8210
3	<b>F66587</b> Bracket - LH	C7NND932A	5610, 6610, 6710, 7610, 7710, 7910, 8210
4	<b>F66582</b> U-Bolt	C5NN16N321A	2910, 3910, 4110, 4610, 3230, 3430, 3930, 4130, 3630, 4830, 5030, Ind. 250C, 260C
4	<b>F66583</b> U-Bolt	388838S36	5610, 6610, 6710, 7610, 7710, 7910, 8210
5	<b>F04947</b> Flat Washer (5/8")		2910, 3910, 4110, 4610, 5610, 6610, 6710, 7610, 7710, 7910, 8210, 3230, 3430, 3930, 4130, 3630, 4830, 5030, Ind. 250C, 260C
6	<b>F01033</b> Lock Washer (5/8")	34796S36	Same as Above
7	<b>F01010</b> Nut (5/8" UNC)	33849S36	Same as Above
8	<b>F15609</b> Telescopic Bar Hole Stabilizer (One End Threaded)		4000, 4100, 4600, 4110, 4610, Ind. 420, 4400, 4500, 515, 532
8	<b>F15610</b> Telescopic Bar Hole Stabilizer (One End Threaded)		5000, 7000, 5600, 6600, 6700, 7600, 7700, 5610, 6610, 6710, 6810, 7610, 7710
8	<b>F15610</b> Telescopic Bar Hole Stabilizer - RH (One End Threaded)		(5000, 7000, 5600, 6600, 6700, 7600, 7700, w/ Assistor Ram)
8	<b>F15611</b> Telescopic Bar Hole Stabilizer - LH (One End Threaded)		(5000, 7000, 5600, 6600, 6700, 7600, 7700, w/ Assistor Ram)

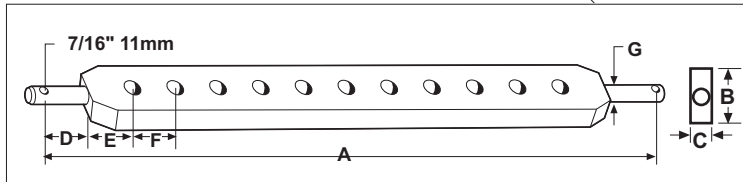
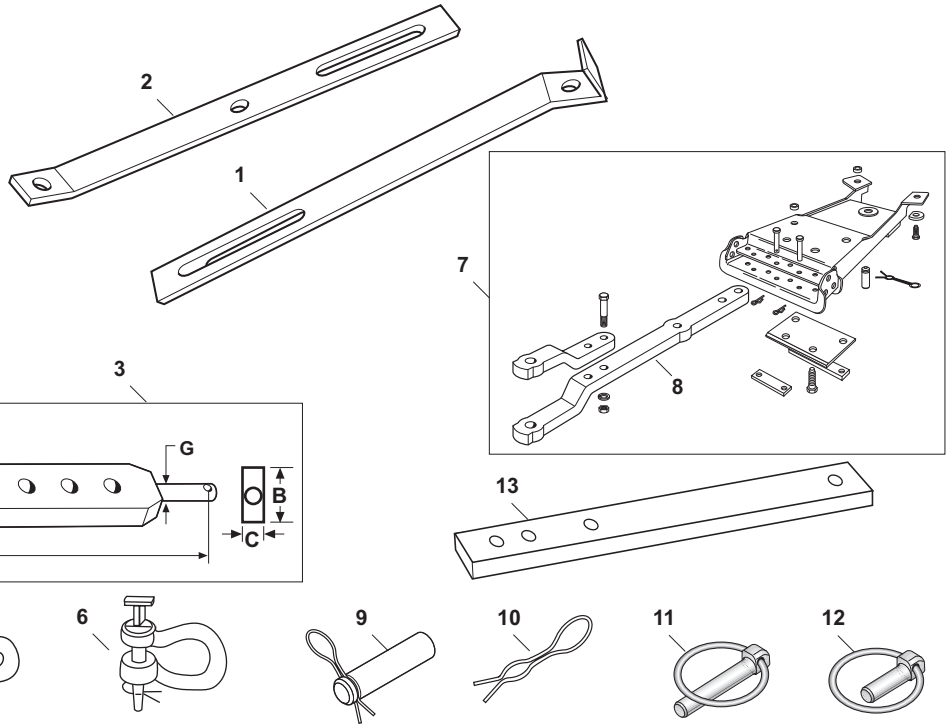
We have attempted to insure the accuracy of the information listed and reserve the right for type error.

Some part numbers and manufactures' names are used strictly for reference purpose only  
Any prices listed are subject to change without notice and are in U.F dollarF Not all items are stocking items

www.ForMenWhoGrow.com - Contact: RickStair@gmail.com



## Drawbar, Stays and Related Components



OUR No.	DESCRIPTION	EQUIVALENT	TRACTOR MODEL
1	<b>F60460</b> Drawbar Stay - Upper	86539332 C5NNC831A 9N5374	<b>2000, 3000, 2600, 3600, 2310, 2610, 2910, 3610, Ind. 230A, 231, 2110LCG, 335, 3400, 3500, 4110LCG, 531</b>
2	<b>F60455</b> Drawbar Stay - Lower	86539333 C5NNC832A 9N5375	<b>Same as Above</b>
3	<b>F00121C</b> Drawbar - Cat 1 - Standard Duty A=30", B=2 3/8", C=1 3/16", D=1 13/16" E=4 1/2", F=2 1/8", G=7/8", 9 Holes @ 25/32"ø		
3	<b>F00125</b> Drawbar - Cat 1 - Heavy Duty A=30 1/4", B=2 7/16", C=1 3/16", D=1 13/16" E=2 3/8", F=2 1/8", G=7/8", 11 Holes @ 13/16"ø		
3	<b>F00126</b> Drawbar - Cat 2 A=30 3/4", B=2 7/16", C=1 1/4", D=2 1/8" E=2 3/8", F=2 3/16", G=1 1/8", 11 Holes @ 13/16"ø		
4	<b>F52090</b> Drawbar Hook - Includes 3/4" T-Pin		<b>Fits Drawbars up to 1 1/4" Thick</b>
5	<b>F61369</b> Clevis - Twist (5/8" Pin, 3/4" Clevis)		
5	<b>F52657</b> Clevis - Twist (3/4" Pin, 7/8" Clevis)		
6	<b>F52656</b> Clevis - Straight (3/4" Pin, 7/8" Clevis)		
7	<b>F61370</b> Swinging Drawbar Kit	CFPN820A	<b>2000, 3000, 2600, 3600, 2310, 2610, 3610, Ind. 230A, 231, 233, 2110LCG, 333, 335, 3400, 3500, 420, 530A, 531, 535</b>
8	<b>F61333</b> Drawbar	C5NN805C	<b>Same as Above</b>
9	<b>F17726</b> Pin & Clip - Swinging Drawbar Retaining (7/8" x 2 3/4")	E4NN807AA C5NN807D 311920	<b>Same as Above</b>
9	<b>F17725</b> Pin & Clip - Swinging Drawbar Retaining (1 1/8" x 3 3/4")	C7NN807C 311920	<b>5000, 7000, 5600, 5900, 6600, 6700, 7600, 7700, 5610, 6610, 6710, 6810, 7610, 7710, 7810, 7910, 8210</b>
10	<b>F17743</b> Clip - Swinging Drawbar Pin	311920	<b>2000, 3000, 5000, 7000, 5600, 5900, 2600, 3600, 6600, 6700, 7600, 7700, 2310, 2610, 3610, 5610, 6610, 6710, 6810, 7610, 7710, 7810, 7910, 8210, Ind. 230A, 231, 233, 2110LCG, 333, 335, 3400, 3500, 420, 530A, 531, 535</b>
11	<b>F00039</b> Linch Pin (7/16")		
12	<b>F00041</b> Linch Pin (7/16") - Overlock	2N608	
13	<b>F61351</b> Drawbar - 36.90" Long	EONN805AC	<b>5000, 7000, 5600, 6600, 7600, 6700, 7700, 5610, 6610, 7610, 7710 (w/ 2 Speed PTO), TW15, TW25, TW35</b>

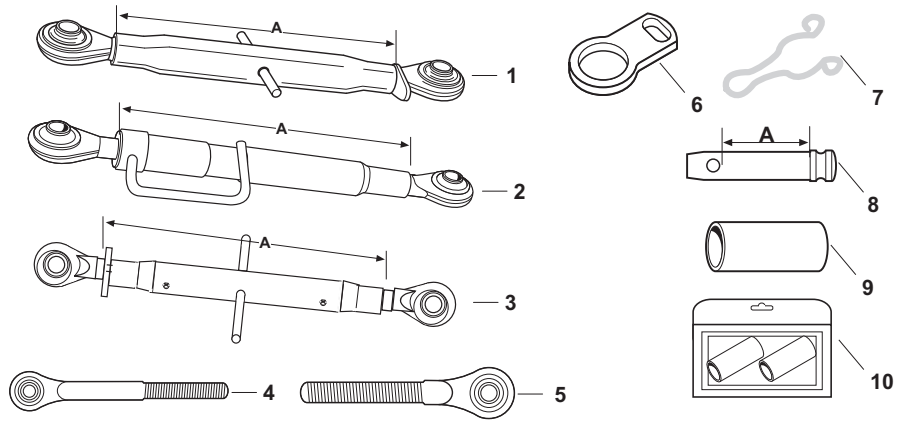
We have attempted to insure the accuracy of the information listed and reserve the right for type error.

Some part numbers and manufactures' names are used strictly for reference purpose only  
Any prices listed are subject to change without notice and are in U.F dollarF Not all items are stocking items

www.ForMenWhoGrow.com - Contact: RickStair@gmail.com



# Top Links and Related Components



OUR No.	DESCRIPTION	EQUIVALENT	TRACTOR MODEL
1	F00301 Top Link - Standard Duty - Cat 1-1 (A=20" Tube, 24 1/4" c-c) Blue		
2	F11878 Top Link - OEM Style Lever Lock - Cat 1-1 (23 1/2" c-c)	D6NN576C	
2	F03630 Top Link - OEM Style Lever Lock - Cat 1-2 (23 1/2" c-c)		
2	F03631 Top Link - OEM Style Lever Lock - Cat 2-2 (23 1/2" c-c)	D0NN576A	
3	F16073 Top Link - Heavy Duty - Cat 2-2 Greased End - Super Link (A=15" Tube, 20" c-c)		
3	F16074 Top Link - Heavy Duty - Cat 2-2 Greased End - Super Link (A=19" Tube, 24.5" c-c)		
4	F03633 Top Link End - Cat 1 - LH Thread OEM Style Top Link	D0NNA914A	
4	F03634 Top Link End - Cat 2 - LH Thread	D0NNA914B	
5	F11877 Top Link End - Cat 1 - RH Thread	C5NNN664D	
5	F03632 Top Link End - Cat 2 - RH Thread	E8NNA911AA	
6	F17353 Top Link Retainer (1 13/16" ID)	E0NNM865AB	
7	F14341 Top Link Retainer		Universal
8	F00073 Top Link Pin - Cat 1 (A=2 3/4", 3/4" Dia)		
8	F00075 Top Link Pin - Cat 1 (A=3 3/8", 3/4" Dia)		
8	F00074 Top Link Pin - Cat 1 (A=3 7/8", 3/4" Dia)		
8	F00077 Top Link Pin - Cat 1 (A=4 3/4", 3/4" Dia)		
9	F00079 Top Link Pin - Cat 2 (A=3", 1" Dia)		
8	F00076 Top Link Pin - Cat 2 (A=3 5/8", 3/4" Dia)		
8	F00069 Top Link Pin - Cat 2 (A=3 3/4", 1" Dia)		
8	F00080 Top Link Pin - Cat 2 (A=4", 1" Dia)		
8	F00081 Top Link Pin - Cat 2 (A=5 3/8", 1" Dia)		
8	F12336 Top Link Pin - Cat 3 (A=5 1/4", 1 1/4" Dia)		
9	F00353 Bushing - Top Link - Cat 2-1 (3/4" ID, 1" OD, 2 1/2" Long)		
9	F03008 Bushing - Top Link - Cat 3-2 (1" ID, 1 1/4" OD, 2 1/2" Long)		
10	F08485 Bushings - Agripack - Cat 2-1 (F00351 x 2)		
10	F02262 Bushings - Agripack - Cat 2-1 (F00351 x 1 Top Link, F00352 x 2 Lower Link)		
10	F04121 Bushings - Agripack - Cat 3-2 (F03008 x 1 Top Link, F00529 x 2 Lower Link)		

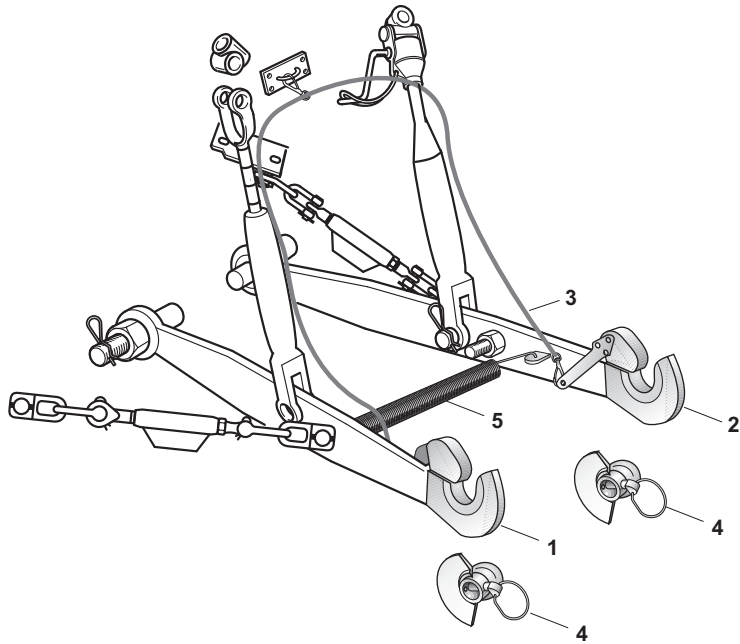
We have attempted to insure the accuracy of the information listed and reserve the right for type error.

Some part numbers and manufactures' names are used strictly for reference purpose only  
 Any prices listed are subject to change without notice and are in U.F dollarF Not all items are stocking items

## Lift Arm Conversion Kits

### Lower Link Conversion Kit - Cat 2 (For Tractors up to 100 H.P)

**F33036**



Kit Contains:

Complete Quick Coupling Hooks (Cat 2)  
to be welded to the existing Links

- 1 **F33085 x 1 - LH**
- 2 **F33085 x 1 - RH**

Control Rope for Lower Links, complete with  
Spring Catches

- 3 **F33016 x 1**

Link Balls (Cat 2) with Guide Cones  
and King size Linch Pins

- 4 **F33000 x 2**

Adjustable Spacer for Lower Link and Arms

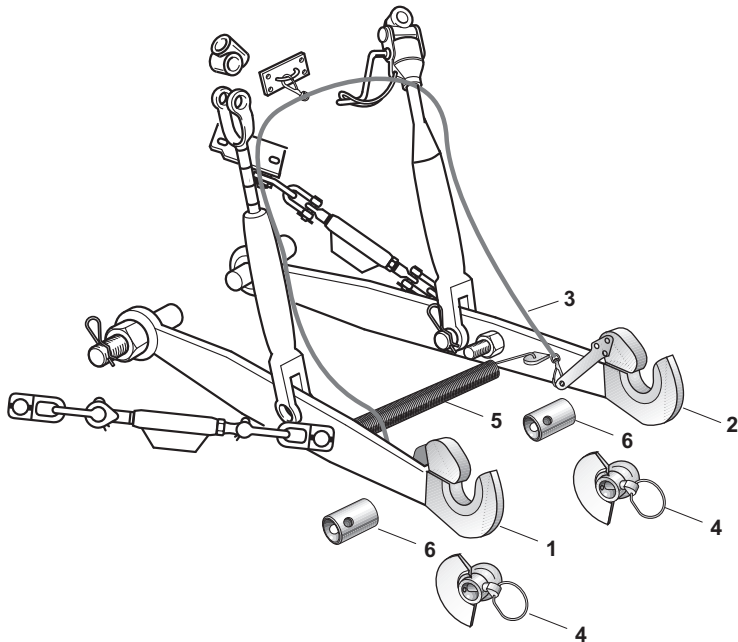
- 5 **F33015 x 1**

**Optional extras (for double plate  
mounting implements)**

- F33005 Lower Link Ball (Cat 2)**  
(use with 2 x **F33011 Spacers**)

### Lower Link Conversion Kit - Cat 3 (For Tractors up to 180 H.P)

**F33037**



Kit Contains:

Complete (Cat 3) Quick Coupling Hooks  
to be welded to the existing Links

- 1 **F33020 x 1 - LH**
- 2 **F33021 x 1 - RH**

Control Rope for Lower Links complete with  
Spring Catches (3)

- 3 **F33016 x 1**

Link Balls (Cat 3/3) with Guide Cones and Linch Pins

- 4 **F33002 x 2 - with Conversion Bushing**
- 6 **F03010 (Cat 3-2)**

Adjustable Spacer for Lower Lift Links

- 5 **F33015 x 1**

**Optional extras (for double plate  
mounting implements)**

- F33006 Lower Link Ball (Cat 3-2)**  
(use with 2 x **F33012 Spacers**)
- F33007 Lower Link Ball (Cat 3-3)**  
(use with 2 x **F33012 Spacers**)

We have attempted to insure the accuracy of the information listed and reserve the right for type error.

Some part numbers and manufactures' names are used strictly for reference purpose only  
Any prices listed are subject to change without notice and are in U.F dollarF Not all items are stocking items