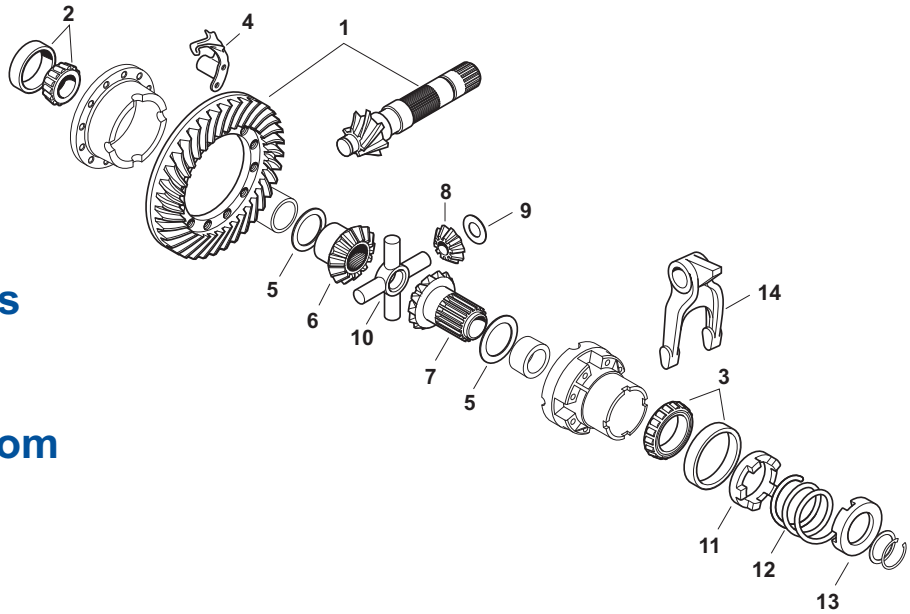


Differential Components

ricksagriparts@gmail.com

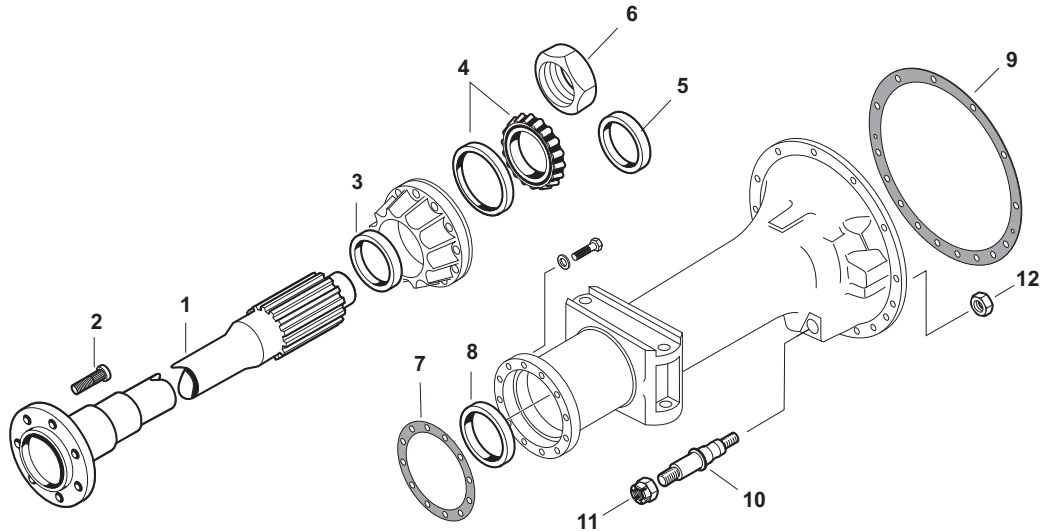


Our #	DESCRIPTION	EQUIVALENT	TRACTOR MODEL
1	R 65471 Ring Gear & Pinion Set (6 x 37 Teeth) 6.16=1 Ratio (Pinion 11 7/8" Long) Bolts not included	C5NN4209G	(2000, 3000 ->12/73 except Select-O-Speed, less Handbrake)
1	R 66146 Ring Gear & Pinion Set (6 x 37 Teeth) 6.16=1 Ratio (Pinion 12 3/8" Long) Bolts not included	D1NN4209B	(2000, 3000 74-> except Select-O-Speed, less Handbrake)
1	R 65472 Ring Gear & Pinion Set (7 x 37 Teeth) 5.28=1 Ratio Bolts not included	C5NN4209G	(5000 w/ 8 Speed, less Load Monitor, less Handbrake), (5600, 6600, 6700 less Load Monitor, less Handbrake), (5610, 6610, 6810, 7610 less Load Monitor, less Front WD, less Handbrake)
2	R 41455 Bearing Assembly - LH Cone/Roller #29685, Cup #29620	NDA4222A NDA4221A	2000, 3000, 2600, 3600, 2310, 2610, 3610, Ind. (231 w/ Differential Lock), 233, 234, 333, 334, 3400, 3500, (531 w/ Differential Lock)
2	R 18502 Bearing Assembly Cone/Roller #3984 Cup #3920	BB4221B BB4222	4000, 3900, 4100, 4600, 2810, 2910, 3910, 4110, 4610, 3230, 3430, 3930, 4630, 4830, 5030, Ind. (231 w/ Differential Lock), 250C, 260C, (2110LCG w/ Differential Lock), 335, 340, 340A, 340B, 345C, 345D, 3550, 420, (4110LCG w/ Differential Lock), 445, 445A, 445C, 445D, 450, 455, 455C, 455D, 4400, 4500, (531 w/ Differential Lock), 515, 532, 535, 540, 540A, 540B, 545A, 545C, 545D, 550, 555, 555A, 555B, 555C, 555D, 575D, 655, 655A, 655C, 655D, 675D
2	R 40903 Bearing Assembly - LH Cone/Roller #37425 Cup #37625	81803413 957E4221 81803420 957E4222	5000, 7000, 5600, 5900, 6600, 6700, 7600, 7700, 5610, 5610S, 6610, 6610S, 6710, 6810, 7610, 7610S, 7710, 7810, 7810S, 7910, 8010, 8210, 5640, 6640, 7740, 7840, 8240, 8340, Ind. 5500, 5550, 650, 6500, 750, 7500, 755, 755A, 755B
3	R 40903 Bearing Assembly - RH Cone/Roller #37425 Cup #37625	81803413 957E4221 81803420 957E4222	2000, 3000, 4000, 2600, 3600, 3900, 4100, 4600, 2310, 2610, 2810, 2910, 3610, 3910, 4100, 4610, 3230, 3430, 3930, 4130, 4630, 4830, 5030, TS90, TS100, Ind. 231, 233, 234, 250C, 260C, 2110LCG, 333, 334, 335, 340, 340A, 340B, 3400, 345C, 345D, 3500, 3550, 4110LCG, 420, 4400, 445, 445A, 445C, 445D, 450, 4500, 455, 455C, 515, 531, 532, 535, 540, 540A, 540B, 545, 545A, 545C, 545D, 550, 555, 555A, 555B, 555C, 555D, 555E, 575D, 655, 655A, 655C, 655D, 675D, 675E
3	R 41455 Bearing Assembly - RH Cone/Roller #29685, Cup #29620	NDA4222A NDA4221A	(2000, 3000, 2600, 3600, 2310, 2610, 3610, Ind. 231, 233, 234, 2110LCG, 333, 334, 335, 3400, 4110LCG, 531 less Differential Lock)
4	R 66264 Thrust Block	C5NN4194A	2000, 3000, 2600, 3600, 2310, 2610, 3610, Ind. 233, 234, 333, 334, 335, 3400
5	R 66270 Thrust Washer	81803424 957E4228	2000, 3000, 4000, 5000, 7000, 2600, 3600, 3900, 4100, 4600, 5600, 5900, 6600, 6700, 7600, 7700, 2310, 2610, 2810, 2910, 3610, 3910, 4110, 4610, 5610, 6610, 6610S, 6710, 6810, 7610, 7610S, 7710, 7810, 7810S, 7910, 8010, 8210, 3230, 3430, 3930, 4130, 4630, 4830, 5030, 5640, 6640, 7740, 7840, 8240, 8340, TS90, TS100, TS110, Ind. 2110LCG, 231, 233, 234, 250C, 260C, 333, 334, 335, 340, 340A, 340B, 3400, 3500, 345C, 345D, 3550, 420, 445, 445A, 445C, 445D, 450, 4400, 4500, 455, 455C, 455D, 4110LCG, 515, 531, 532, 535, 540, 540A, 540B, 545, 545A, 545C, 545D, 550, 5550, 555, 555A, 555B, 555C, 555D, 555E, 575D, 575E, 650, 6500, 655, 655A, 655C, 655D, 655E, 675D, 675E, 750, 7500, 755, 755A, 755B

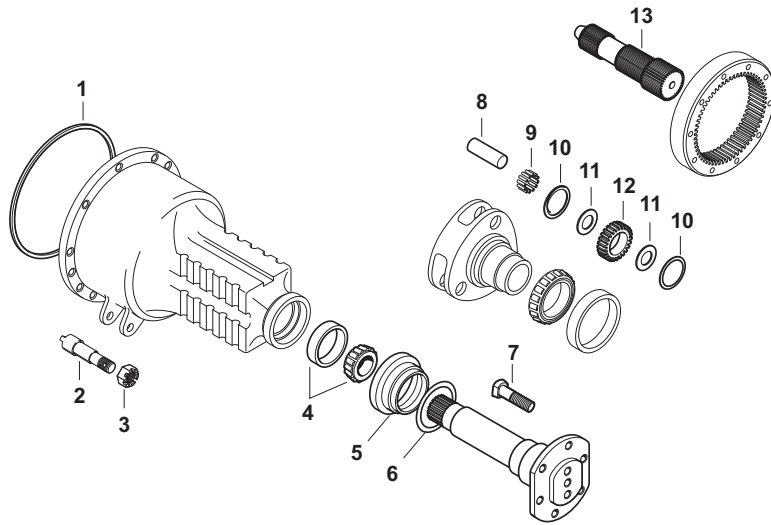
Differential Components

Our #	DESCRIPTION	EQUIVALENT	TRACTOR MODEL	
6	R 66268	Gear - Side Axle - LH	C5NN4236A	2000, 3000, 4000, 2600, 3600, 3900, 4100, 4600, 2310, 2610, 2810, 2910, 3610, 3910, 4110, 4610, 3230, 3430, 3930, 4130, 4630, 4830, 5030, TS90, TS100, TS110, Ind. 231, 233, 234, 250C, 260C, 333, 334, 335, 340, 340A, 340B, 3400, 3500, 345C, 345D, 3550, 420, 445, 445A, 445C, 445D, 450, 4400, 4500, 455, 455C, 455D, 4110LCG, 515, 531, 532, 535, 540, 540A, 540B, 545, 545A, 545C, 545D, 550, 555, 555A, 555B, 555C, 555D, 575D, 655, 655A, 655C, 655D, 675D
6	R 66269	Gear - Side Axle - LH	C5NN4239A	5000, 5600, 5900, 6600, 6700, 7600, 7700, 5610, 5610S, 6610, 6610S, 6710, 6810, 7610, 7610S, 7710, 7810, 7810S, 7910, 8010, 8210, 5640, 6640, 7740, 7840, 8240, 8340, TS90, TS100, TS110, Ind. 5500, 5550, 650, 6500, 750, 7500, 755, 755A, 755B
7	R 66268	Gear - Side Axle - RH	C5NN4236A	(2000, 3000, 4000 less Differential Lock), 5000, 7000, (2600, 3600, 3900, 4100, 4600 less Differential Lock), 5600, 5900, 6600, 6700, 7600, 7700, (2310, 2610, 2810, 2910, 3610, 3910, 4110, 4610 less Differential Lock), 5610, 5610S, 6610, 6610S, 6710, 7610, 7610S, 7710, 7810, 7810S, 7910, 8010, 8210, 5640, 6640, 7740, 7840, 8240, 8340, Ind. (231, 233, 234, 2110LCG, 333, 334, 335, 340, 340A, 340B, 3400, 3500, 3550, 420, 445, 445A, 450, 455, 4400, 4500, 515, 531, 532, 540, 540A, 540B, 545, 545A less Differential Lock), 5500, 5550, 650, 6500, 750, 7500, 755, 755A, 755B
7	R 66269	Gear - Side Axle - RH	C5NN4239A	(2000, 3000, 4000 w/ Differential Lock), (2600, 3600, 3900, 4100, 4600 w/ Differential Lock), (2310, 2610, 2810, 2910, 3610, 3910, 4110, 4610 w/ Differential Lock), 3230, 3430, 3930, 4130, 4630, 4830, 5030, Ind. (231, 233, 234 w/ Differential Lock), 250C, 260C, (2110LCG, 333, 334, 335, 340, 3400, 340A, 340B w/ Differential Lock), 345C, 345D, (3500, 3550 w/ Differential Lock), (4110LCG, 420, 4400, 445, 445A w/ Differential Lock), 445C, 445D, (450, 455, 4500 w/ Differential Lock), 455C, 455D, (515, 531, 532, 535, 540, 540A, 540B, 545, 545A w/ Differential Lock), 545C, 545D, 550, 555, 555A, 555B, 555C, 555D, 555E, 575D, 575E, 655, 655A, 655C, 655D, 655E, 675D, 675E
8	R 66267	Gear - Differential Pinion	81728114 957E4292B E1ADDN4213B	2000, 3000, 4000, 5000, 7000, 2600, 3600, 3900, 4100, 4600, 5600, 6600, 6700, 7600, 7700, 2310, 2610, 2810, 2910, 3910, 4110, 4610, 5610, 5610S, 6610, 6610S, 6810, 7610, 7610S, 7710, 7810, 7910, 8210, 3230, 3430, 3930, 4130, 4630, 4830, 5030, 5640, 6640, 7740, 7840, 8240, 8340, TS90, TS100, TS110, Ind. 231, 233, 234, 250C, 260C, 2110LCG, 333, 334, 335, 3400, 3500, 3550, 345C, 345D, 420, 455, 455C, 455C, 455D, 4400, 4500, 4110 LCG, 515, 531, 532, 535, 545C, 545D, 550, 555A, 555B, 555C, 555D, 555E, 5500, 5550, 575D, 575E, 650, 655, 655A, 655C, 655D, 655E, 675D, 675E, 6500, 750, 755, 755A, 755B, 7500
9	R 66271	Washer - Thrust	508E4230A	Same as Above
10	R 66266	Spider - Differential	E1NN4211AB E1NN4211AA C5NN4211B	Same as Above
11	R 66279	Adaptor - Differential Lock	81800472 E186EB9	Same as Above
12	R 66280	Spring - Differential Lock	81800474 E188EB9	Same as Above
13	R 66281	Coupling - Differential Lock	81812261 C5NN4N064A	4000, 5000, 7000, 3900, 4100, 4600, 5600, 5900, 6600, 6700, 7600, 7700, 2810, 2910, 3910, 4110, 4610, 5610, 5610S, 6610, 6610S, 6710, 6810, 7610, 7610S, 7710, 7810, 7810S, 7910, 8010, 8210, 3230, 3430, 3930, 4130, 4630, 4830, 5030, TS90, TS100, TS110, Ind. 250C, 260C, 335, 340, 340A, 340B, 345C, 345D, 3550, 420, 445, 445A, 445C, 445D, 450, 455, 455C, 455D, 4400, 4500, 550, 555, 555A, 555B, 555C, 555D, 555E, 5500, 5550, 575D, 575E, 650, 655, 655A, 655C, 655D, 655E, 6500, 750, 755, 755A, 755B, 7500
14	R 66282	Fork - Differential Lock	C5NN4N053A	2000, 3000, 2600, 3600, 2310, 2610, 3610, Ind. 231, 233, 234, 2110LCG, 333, 334, 335, 3400, 3500, 4110LCG, 531

Rear Axle and Related Components (Drum Brakes)



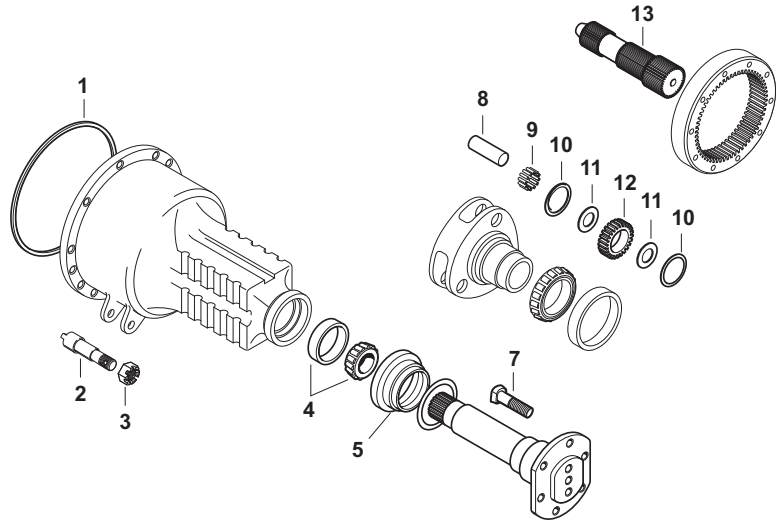
Our #	DESCRIPTION	EQUIVALENT	TRACTOR MODEL
1	R66274 Axle Shaft - Shrink-on Collar Type	C5NN4244A	2000, (2600, 2610 less Differential Lock), Ind. (231, 233, 234 less Differential Lock), 2110LCG, 4110LCG, (531 less Differential Lock)
2	R65100 Stud - Axle to Wheel Disc	C5NN1117R	2000, 3000, 2600, 3600, 2310, 2610, 3610, Ind. 231, 233, 234, 2110LCG, 333, 334, 335, 3400, 3500, 4110LCG, 531
3	R65473 Seal - Outer	86531999 C5NN4115B	(2000 w/ Differential Lock), 3000, (2600 w/ Differential Lock), 3600, (2610 w/ Differential Lock), 3610, Ind. (231, 233, 234 w/ Differential Lock), 333, 334, 335, 3400, 3500 (4110LCG, 531 w/ Differential Lock)
4	R65478 Bearing Assembly Cone/Roller #387, Cup #382	E18EB9 C7NN4874B	Same as Above
5	R66275 Collar - Shrink-on	NCA4132A	2000, (2600, 2610 less Differential Lock), Ind. (231, 233, 234 less Differential Lock), 2110LCG, 4110LCG, (531 less Differential Lock)
6	R66276 Locknut - Axle	C5NN4N001A	(2000 w/ Differential Lock), 3000, (2600 w/ Differential Lock), 3600, (2610 w/ Differential Lock), 3610, Ind. (231, 233, 234, 2110LCG w/ Differential Lock), 333, 334, 335, 3400, 3500, (4110LCG, 531 w/ Differential Lock)
7	R66278 Shim (.004"-.006")	D1NN4229A	2000, 3000, 2600, 3600, 2310, 2610, 3610, Ind. 231, 233, 234, 2110LCG, 333, 334, 335, 3400, 3500, 4110LCG, 531
8	R65476 Seal - Inner	C9NN4N109A	2000, 3000, 2600, 3600, 2310, 2610, 3610, Ind. 231, 233, 234, 333, 334, 335, 3400, 3500, 4110LCG, 531
9	R66156 Gasket - Trumpet Housing (.006"-.008")	C5NN4885C	2000, 3000, 2600, 3600, 2310, 2610, 3610, Ind. 231, 233, 234, 333, 334, 335, 3400, 4110LCG, 531
9	R66277 Gasket - Trumpet Housing (.015"-.017")	C5NN4885E	2000, 3000, 2600, 3600, 2310, 2610, 3610, Ind. 231, 233, 234, 2110LCG, 333, 334, 335, 3400, 3500, 4110LCG, 531
10	R66273 Shaft - Lift Arm - Attaching - Cat 1 (5 1/4" Overall)	NCA563C	2000, 3000, 2600, 3600, 2310, 2610, 3610, Ind. 231, 233, 234, 2110LCG, 333, 334, 335, 3400, 3500, 4110LCG, 531 LH - All models listed RH - All models listed less Differential Lock
10	R66272 Shaft - Lift Arm - Attaching - Cat 1 (7" Overall)	C5NNN563A	2000, 3000, 2600, 3600, 2310, 2610, 3610, Ind. 231, 233, 234, 2110LCG, 333, 334, 335, 3400, 3500, 4110LCG, 531 RH - All models listed less Differential Lock
11	R40213 Nut - Outer (3/4" Slotted)	387930S36	2000, 3000, 2600, 3600, 2310, 2610, 3610, Ind. 231, 233, 234, 2110LCG, 333, 334, 335, 3400, 3500, 4110LCG, 531
12	R08933 Nut - Inner (5/8" Slotted)	87446 33987S36	2000, 3000, 2600, 3600, 2310, 2610, 3610, Ind. 231, 233, 234, 2110LCG, 333, 334, 335, 3400, 3500, 4110LCG, 531



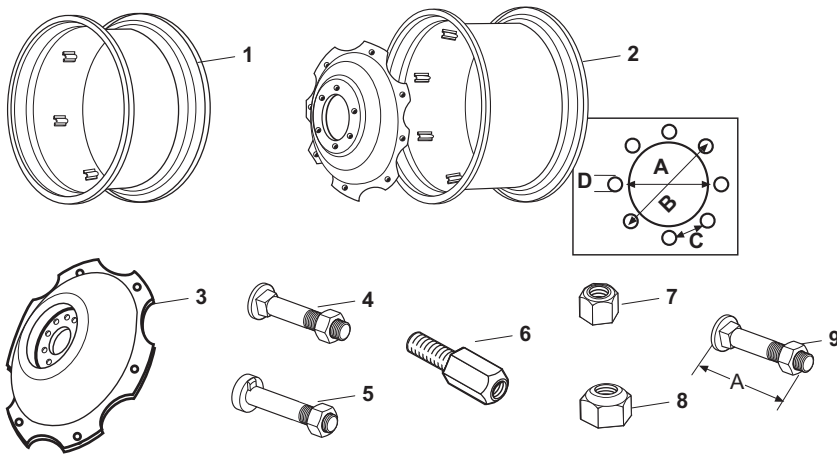
Rear Axle and Related Components (Disc Brakes)

Our #	DESCRIPTION	EQUIVALENT	TRACTOR MODEL
1	R65477 O-Ring - Trumpet Housing	83417133 379313S91	4000, 5000, 7000, 3900, 4100, 4600, 5600, 6600, 6700, 7600, 7700, 2810, 2910, 3910, 4110, 4610, 5610, 5610S, 6610, 6610S, 6710, 6810, 7610, 7610S, 7710, 7810, 7910, 8010, 8210, 3230, 3430, 3930, 4130, 4630, 4830, 5030, 5640, 6640, 7740, 7840, 8240, 8340, TS90, TS100, TS110, Ind. 250C, 260C, 335, 340, 340A, 340B, 345C, 345D, 3550, 420, 445, 445A, 445C, 445D, 450, 455, 455C, 455D, 4400, 4500, 515, 532, 535, 540, 540A, 540B, 545, 545A, 545C, 545D, 550, 555, 555A, 555B, 555C, 555D, 555E, 5500, 5550, 575D, 575E, 650, 655, 655A, 655C, 655D, 655E, 6500, 675D, 675E, 750, 755, 755A, 755B, 7500
2	R17343 Pin - Lift Arm Attaching	E4NNF537AA	4000, 5000, 7000, 5600, 5900, 6600, 6700, 7600, 7700, 5610, 6610, 6710, 6810, 7610, 7710, 7810, 7910, 8210, 5640, 6640, 7740, 7840, 8240, 8340, TS90, TS100, TS110, Ind. 3550, 4400, 4500
3	R12973 Nut - Slotted (1" UNF)	390767S36	Same as Above
4	R65479 Bearing Assembly Cone/Roller #395S Cup #394A	8181397 C5NN4N221B 163044 C5NN4874B	4000, 3900, 4100, 4600, 2810, 2910, 3910, 4110, 4610, 3230, 3430, 3930, 4130, 4630, 4830, 5030, Ind. 250C, 260C, 340, 340A, 340B, 345C, 345D, 3550, 420, 445, 445A, 445C, 445D, 450, 455, 455C, 455D, 4400, 4500, 515, 532, 535, 540, 540A, 540B, 545, 545A, 545C, 545D, 550, 555, 555A, 555B, 555C, 555D, 555E, 575D, 575E, 655, 655A, 655C, 655D, 655E, 675D, 675E
4	R41455 Bearing Assembly Cone/Roller #29685 Cup #29620	NDA4221A NDA4222A	5000, 7000, 5600, 5900, 6600, 6700, 7600, 7700, 5610, 5610S, 6610, 6610S, 6710, 6810, 7610, 7710, 7810, 7810S, 7910, 8010, 8210, 5640, 6640, 7740, 7840, 8240, 8340, TS90, TS100, TS110, Ind. 5500, 5550, 650, 6500, 750, 755, 755A, 755B, 7500
5	R65474 Seal & Retainer Assembly	E0NN4969AA C5NN4969D	4000, 3900, 4100, 4600, 2810, 2910, 3910, 4110, 4610, Ind. 250C, 260C, 340, 340A, 340B, 345C, (345D ->SN A436529), 3550, 420, 445, 445A, 445C, (445D ->SN A436529), 450, 455, 455C, (455D ->SN A436529), 4400, 4500, 515, 532, 535, 540, 540A, 540B, 545, 545A, 545C, (545D ->SN A436529), 555C, (555D, 575D ->SN A436529), 655C, (655D, 675D ->SN A436529)
5	R65475 Seal & Retainer Assembly	C5NN4969E E3NN4969BA	5000, 7000, 5600, (5900 ->6/89), 6600, 6700, 7600, 7700, (5610, 6610, 6710, 6810, 7610, 7710, 7810, 7910, 8210 ->6/89), Ind. 5500, 5550, 650, 6500, 750, 755, 755A, 755B, 7500
5	R66792 Seal & Retainer Assembly	F2NN4969BA	(5900, 5610, (5610S ->1/95), 6610, (6610S ->1/95), 6710, 6810, 7610, (7610 ->1/95), 7710, 7810, 7910, 8210 7/89->)
6	R66791 Seal - Cassette Type	E9NN4N297AB	(5610S, 6610S, 7610S, 7810S 1/95->), (8010 4/96->), (3230, 3430, 3930, 4130, 4640, 5030 10/95->), (5640, 6640, 7740, 7840, 8240, 8340 11/91->), Ind. (345C, 345D, 445C, 445D, 545C, 545D, 555C, 555D, 555E, 575D, 655C, 655D, 655E, 675D, 675D 9/95->)
7	R01600 Bolt - Axle Flat Side Non-Knurled	C5NN1N118J C5NN1N118H	4000, 5000, 7000, 3900, 4100, 4600, 5600, 6600, 6700, 7600, 7700, 2810, 2910, (3910, 4110, 4610, 5610, 6610, 6710, 6810, 7610, 7710 ->10/85), (7810, 7910, 8210 ->3/88), Ind. 335, 340, (340B ->10/85), 3550, 420, 445, (445 ->10/85), 4400, 4500, 515, 532, 535, 540, 540A, 540B ->10/85), 545, (545 ->10/85), 550, 555, 555A, (555B ->10/85), 5500, 5550, 650, 655, (655A ->10/85), 6500, 750, 755, (755A ->10/85), 7500

Rear Axle and Related Components (Disc Brakes)



Our #	DESCRIPTION	EQUIVALENT	TRACTOR MODEL
7	R65713 Bolt - Axle - Round Head w/ Knurling	83955490 E4NN1N118BA E4NN1N118AA	(3910, 4110, 4610, 5610, 6610, 6710, 6810, 7610, 7710 11/85->), (7810, 7910, 8210 3/88->), 5610, 6610S, 7610S, 7810S, 3230, 3430, 3930, 4130, 4630, 4830, 5030, 5640, 6640, 7740, 7840, 8240, 8340, TS90, TS100, TS110, Ind. 250C, 260C, (340B 11/85->), (445A 11/85->), 450, (540B, 545A, 555B 11/85->), 555C, 555D, 555E, 575D, 575E, (655A 11/85->), 655C, 655D, 655E, 675D, 675E, (755A 11/85->), 755B
8	R66293 Shaft - Planet Gear (3.25" x 1.80")	C5NN4048A	(5000 ->9/69), Ind. 5500, 5550
8	R66294 Shaft - Planet Gear	C7NN4048D	(5000 10/69->), 5600, 6600, 6700, Ind. 5500, 5550, 650, 6500
8	R66295 Shaft - Planet Gear (3.48" x 1.80")	D0NN4048A	7000, 7600, 7700, 5610, 5610S, 6610, 6610S, 6710, 6810, 7610, 7610S, 7710, 7810, 7810S, 7910, 8010, 8210, 5640, 6640, 7740, 7840, 8240, 8340, TS90, TS100, TS110, Ind. 750, 755, 755A, 755B, 7500
9	R66292 Needle Bearing Kit (58 Needles - .218" x .75")	CFPN4013A	5000, 5600, 6600, 6700, 5610, 6610, 6710, Ind. 5500, 5550, 650, 6500
10	R66296 Thrust Washer	C5NN4A007A	5000, 7000, 5600, 5900, 6600, 6700, 7600, 7700, 5610, 5610S, 6610, 6610S, 6710, 7610, 7610S, 7710, 7810, 7910, 8010, 8210, 5640, 6640, 7740, 7840, 8240, 8340, TS90, TS100, TS110, Ind. 5500, 5550, 650, 6500, 750, 755, 755A, 755B, 7500
11	R66297 Spacer - Needle Bearing (2.23" OD)	C5NN4A008A	Same as Above
12	R66290 Gear - Planetary	C5NN4004A	5000, 5600, 6600, 6700, Ind. 5500, 5550, 650, 6500
12	R66291 Gear - Planetary	D0NN4044A	7000, 7600, 7700, 5900, 5610, 5610S, 6610, 6610S, 6710, 6810, 7610, 7610S, 7710, 7810, 7810S, 7910, 8010, 8210, (5640, 6640, 7740, 7840 8x2 or 16x4 Transmissions only), Ind. 750, 755, 755A, 755B, 7500
13	R66288 Gear - Sun	C5NN4049A	5000, 5600, 6600, 6700, Ind. 5500, 5550, 650, 6500
13	R66289 Gear - Sun	D0NN4044A	7000, 5900, 7600, 7700, 5610, 5610S, 6610, 6610S, 6710, 6810, 7610, 7610S, 7710, 7810, 7810S, 7910, 8010, 8210, (5640, 6640, 7740, 7840, 8240 8x2 or 16x4 Transmissions only), Ind. 750, 755, 755A, 755B, 7500



Rear Rims, Rim Bolts, Lug Nuts and Related Components

Our #	DESCRIPTION	EQUIVALENT	TRACTOR MODEL
1	R61709 Rear Rim - w/ 6 Loops (9" x 28")	D9NN1050BA	
1	R61966 Rear Rim - w/ 6 Loops (10" x 28")	NCA1020B	
1	R61178 Rear Rim - w/ 6 Loops (11" x 28")	C5NN1050E	
1	R61712 Rear Rim - w/ 6 Loops (12" x 28")	31319729Z 31319712G	
1	R75990 Rear Rim (15 x 30") 8 Lugs, 3 1/2" Long	D9NN1050GA	
2	R61968 Rim Assembly (10 x 28) • Completely Assembled • Center Disc, Bolts & Nuts • 6 Loops - 24 3/8" Dia. • 8 Lugs - 6" Dia. Bolt Pattern • 4 5/16" Center Hole <i>Truck Ship Only!</i>		
2	R61748 Rim Assembly (15 x 30") (Manual Adjusted) (A=5 1/2", B=8"(c-c) C=1 3/4", D=1 1/4" Tapered)		Ford Tractors w/ Disc Brakes Note: Wheel center has Ford bolt pattern. Rim won't fit OEM disc without modification.
3	R61133 Heavy Duty Rear Wheel Disc (28") • 6 Loops - 24 3/8" Dia. • 8 Lugs - 6" Dia. Bolt Pattern • 4 5/16" Center Hole		Rims: 9x28, 10x28, 11x28, 12x28
4	R65113 Carriage Head Bolt (5/8" x 2 3/4")		
5	R04352 Pipped Head Bolt (5/8" x 2 7/8")		
6	R40242 Dual Wheel Adaptor (5/8" UNF)		2000, 3000, 2600, 3600, 2310, 2610, 3610, Ind. 231, 233, 234, 333, 334, 335, 531
6	R16028 Dual Wheel Adaptor (3/4" UNF)		Models w/ Disc Brakes
7	R02742 Lug Nut (5/8" UNF - 1 1/16" Hex)	C5NN1120F	2000, 3000, 2600, 3600, 2310, 2610, 3610, Ind. 231, 233, 234, 333, 334, 335, 531
8	R01060 Lug Nut (3/4" UNF - 1 1/2" Hex)	D3NN1120B	4000, 5000, 7000, 4100, 4600, 5600, 5900, 6600, 6700, 7600, 5610, 6610, 6710, 7610, 3230, 3430, 3930, 4130, 4630, 4830, 5030, Ind. 250C, 260C, 3550, 420, 4400, 4500, 515, 532, 535, 445, 445A, 540, 540A, 540B, 545, 545A, 550, 555, 555A, 555B, 555C, 555D, 755, 755A, 755B
9	R65114 Carriage Bolt & Nut Assembly (A=4 3/4 x 5/8" UNC)		Includes: R11371 Bolt, R05893 Nut Use w/ R75990 Rim