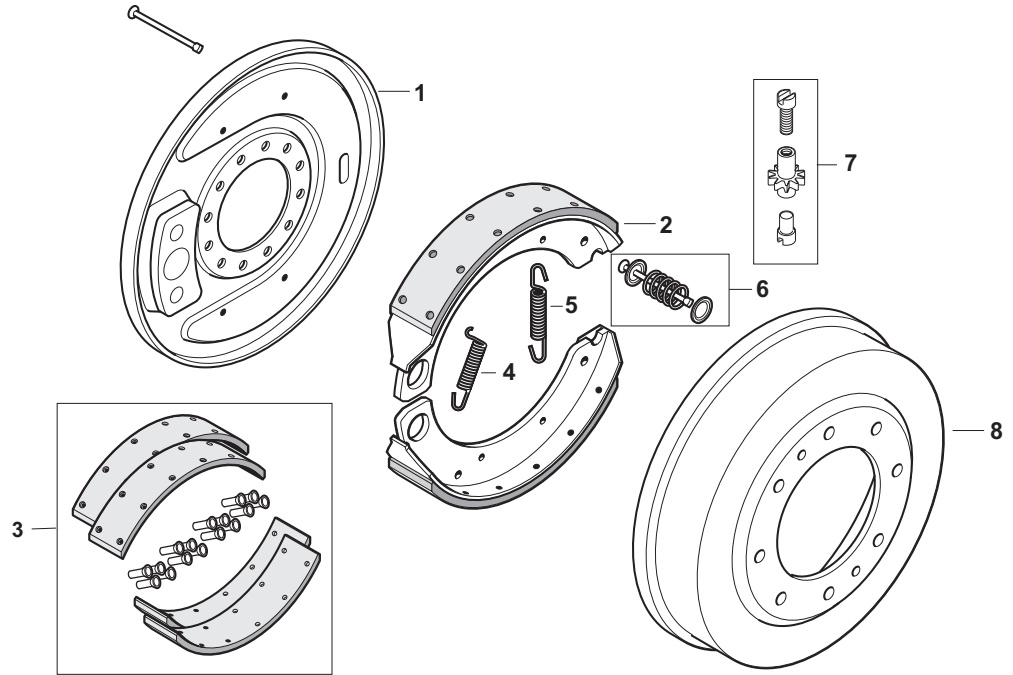


F6

Drum Brakes and Related Components



OUR No.	DESCRIPTION	EQUIVALENT	TRACTOR MODEL
1	F61859 Backing Plate	C5NN2212D	(2000, 3000 12/66->), 2600, 3600, 2310, 2610, 3610, Ind. 230A, 231, 233, 234, (2110LCG 12/66->), 333, 334, 335, (3400, 4110LCG 12/66->), 530A, 531
2	F66862 Brake Shoe (1 1/2" Wide) Sold in multiples of 2 / Priced each	C5NN2218E	(2000, 3000 ->11/66), Ind. (2110LCG, 3400, 4110LCG >11/66)
2	F65371 Brake Shoe (1 1/2" Wide)	F2NN2218AA D9NN2218AA	(2000, 3000 12/66->), 2600, 3600, 2610, 3610, Ind. (2110LCG, 3400 12/66->), 333, 334, 335, (4110LCG 12/66->), 530A, 531
2	F65794 Brake Shoe (2" Wide - Heavy Duty)		(2000, 3000 12/66->), 2600, 3600, 2610, 3610, Ind. (2110LCG, 3400 12/66->), 333, 334, 335, (4110LCG 12/66->), 530A, 531
3	F65721 Lining & Rivit Kit (1 1/2" Wide) Contains: 4 Linings, 48 Rivits)	C5NN2284D	(2000, 3000 1/66-11/66), Ind. (2110LCG, 3400, 3500, 4110LCG UK 1/66-11/66)
4	F01785 Spring - Shoe Return	C5NN3A346B	(2000, 3000 12/66->), 2600, 3600, 2310, 2610, 3610, Ind. (2110LCG, 3400 12/66->), 230A, 231, 233, 234, 333, 334, 335, (3500 6/68-12/72), (4110LCG 12/66->), 530A, 531
5	F42067 Spring - Adjuster	C5NN2B289A	(2000, 3000 12/66->), 2600, 3600, 2310, 2610, 3610, Ind. (2110LCG, 3400 12/66->), 230A, 231, 233, 234, 333, 334, 335, (3500 6/68-12/72), (4110LCG 12/66->), 530A, 531
6	F66174 Brake Pin Kit Contains: 4 Pins, 8 Cups, 4 Springs	957E2069A 957E2066 957E2068	(2000, 3000 12/66->), 2600, 3600, 2310, 2610, 3610, Ind. (2110LCG, 3400 12/66->), 230A, 231, 233, 234, 333, 334, 335, (3500 6/68-12/72), (4110LCG 12/66->), 530A, 531
7	F41564 Adjuster Assembly	C5NN2N046B	(2000, 3000 12/66->), 2600, 3600, 2310, 2610, 3610, Ind. (2110LCG, 3400 12/66->), 230A, 231, 233, 234, 333, 334, 335, (3500 6/68-12/72), (4110LCG 12/66->), 530A, 531
8	F65373 Brake Drum	C5NN1126E	2000, 3000, 2600, 3600, 2610, 3610, Ind. 230A, 231, 233, 234, 2110LCG, 333, 334, 335, 3400, 3500, (4110LCG\), 530A, 531

We have attempted to insure the accuracy of the information listed and reserve the right for type error.

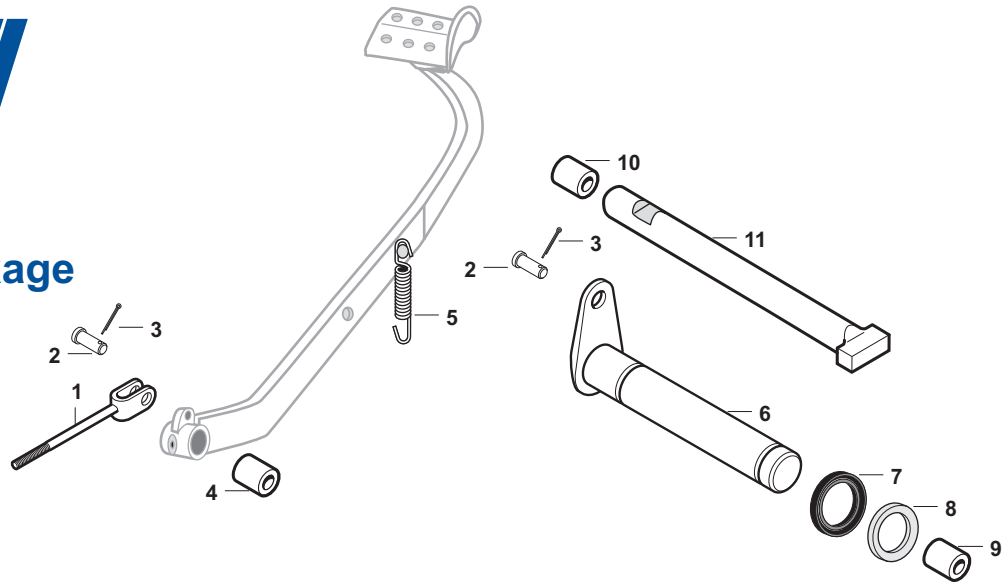
Some part numbers and manufactures' names are used strictly for reference purpose only
Any prices listed are subject to change without notice and are in U.F dollarF Not all items are stocking items

www.ForMenWhoGrow.com - Contact: RickStair@gmail.com





Drum Brake Linkage and Related Components



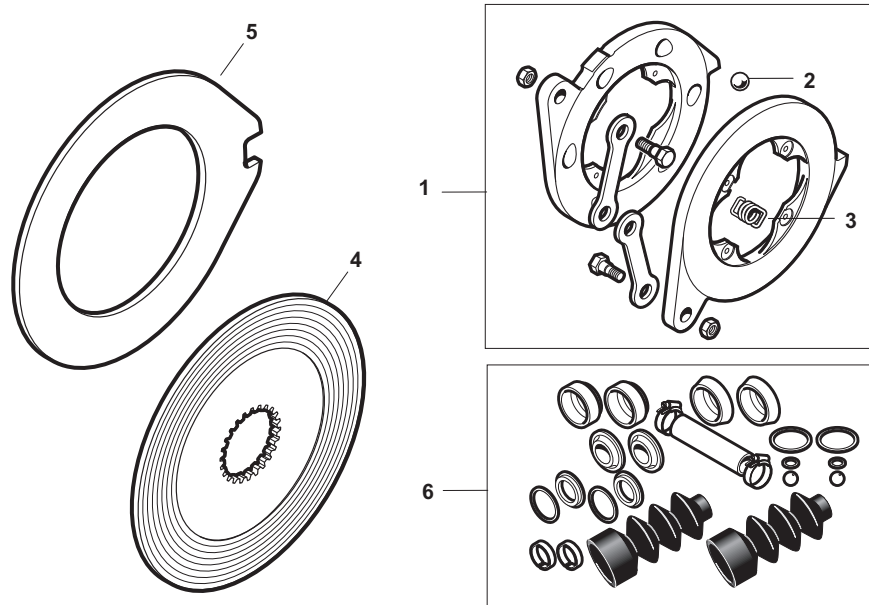
OUR No.	DESCRIPTION	EQUIVALENT	TRACTOR MODEL
1	F43172 Rod - Cross Shaft to Actuator Shaft	C7NN2466A	2000, 3000, 2600, 3600, 2310, 2610, 3610, Ind. 230A, 231, 233, 234, 2110LCG, 333, 334, 335, 3400, 3500, 4110LCG, 530A, 531
2	F00061 Clevis Pin (3/8" x 1" Useable)	73919S8	2000, 3000, 2600, 3600, 2310, 2610, 3610, Ind. 230A, 231, 233, 234, 2110LCG, 333, 334, 335, 3400, 3500, 4110LCG, 530A, 531
3	F01495 Cotter Key		2000, 3000, 2600, 3600, 2310, 2610, 3610, Ind. 230A, 231, 233, 234, 2110LCG, 333, 334, 335, 3400, 3500, 4110LCG, 530A, 531
4	F66623 Bushing - Pedal - RH (1 1/4" x 1 1/8" x 1 7/8")	C5NN2461B	2000, 3000, 2600, 3600, 2310, 2610, 3610, Ind. 230A, 231, 233, 234, 2110LCG, 333, 334, 335, 3400, 3500, 4110LCG, 530A, 531
5	F60429 Spring - Pedal Return	E1NN2472BA	2000, 3000, 2600, 3600, 2310, 2610, 3610, Ind. 230A, 231, 233, 234, 2110LCG, 333, 334, 335, 3400, 3500, 4110LCG, 530A, 531
6	F61848 Cross Shaft	D1NN2473B	(2000, 3000 ->10/72), Ind. (2110LCG, 3400, 3500, 4110LCG ->10/72), NOTE: When replacing shafts prior to 11/71 also use Snap Ring F02879 and Thrust Washer (C5NN2N547E not supplied by OUR
7	F65870 Seal - Cross Shaft	D9NN2N289AA	2000, 3000, 2600, 3600, 2310, 2610, 3610, Ind. 230A, 231, 233, 234, 2110LCG, 333, 334, 335, 3400, 3500, 4110LCG, 530A, 531
8	F65375 Dust Seal - Cross Shaft - Felt	D2NN2N171A	2000, 3000, 2600, 3600, 2310, 2610, 3610, Ind. 230A, 231, 233, 234, 2110LCG, 333, 334, 335, 3400, 3500, 4110LCG, 530A, 531
9	F61475 Bushing - Cross Shaft (1 1/4" x 1 1/8" x 1")	C5NN2N477A	2000, 3000, 2600, 3600, 2310, 2610, 3610, Ind. 230A, 231, 233, 234, 2110LCG, 333, 334, 335, 3400, 3500, 4110LCG, 530A, 531
10	F66631 Bushing - Actuator (Located in Trumpet Housing) (1 1/16" x 1" x 1")	782477	2000, 3000, 2600, 3600, 2310, 2610, 3610, Ind. 230A, 231, 233, 234, 2110LCG, 333, 334, 335, 3400, 3500, 4110LCG, 530A, 531
11	F61858 Actuator Rod	C5NN2N247G	2000, 3000, 2600, 3600, 2310, 2610, 3610, Ind. 230A, 231, 233, 234, 2110LCG, 333, 334, 335, 3400, 3500, 4110LCG, 530A, 531

We have attempted to insure the accuracy of the information listed and reserve the right for type error.

Some part numbers and manufactures' names are used strictly for reference purpose only Any prices listed are subject to change without notice and are in U.F dollarF Not all items are stocking items



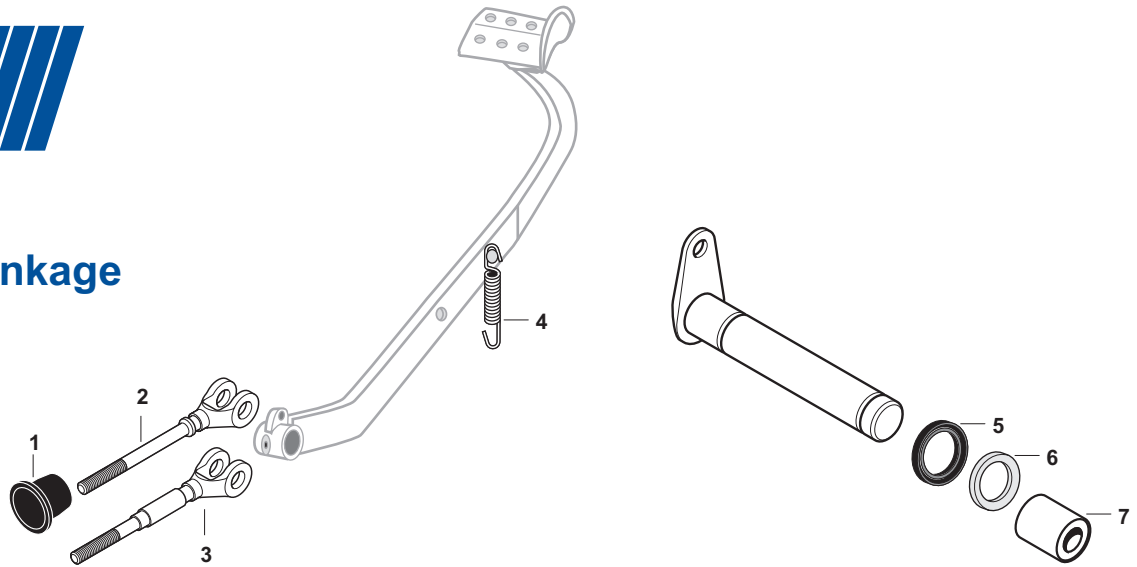
Disc Brakes and Related Components



OUR No.	DESCRIPTION	EQUIVALENT	TRACTOR MODEL
1	F66176 Actuator Assembly (8")	D5NN2N317A	4000, 3900, 4100, 4600, (2810, 2910, 3910, 4110, 4610 ->6/88), Ind. (340, 340A, 340B, w/out 4500 lb Loader), 335, 420, 4400, (445, 445A, 450 w/out 4500 lb Loader), 515, 532, (540, 540A, 540B, 545, 545A w/out 4500 lb Loader)
1	F40830 Actuator Assembly (9")	C7NN2N317A	(5000 1/69->), 7000, 5600, 5900, 6600, 6700, 7600, 7700, (5610, 6610, 6710, 6810, 7610, 7710 ->5/88), (7810, 7910, 8210 1/82-2/88), Ind. 750, 755, 755A, 755B, 7500
1	F66333 Actuator Assembly (9")	E6NN2N317AA	(5900, 5610, 6610, 6710, 6810, 7610, 7710 6/88->), 5610S, 6610S, 7610S, 7810S, (7910 2/88->), 8010, (8210 2/88->), 5640, 6640, 7740, 7840, 8240, 8340, TS90, TS100, TS110
2	F41451 Ball (7/8")	D5NN2N141A	Actuators F66176, F40830, F66333 (Plus all other tractors w/ mechanically applied disc brakes)
3	F40834 Spring - Actuator	C5NN2N320A	Same as Above
4	F65376 Brake Disc - Friction (8") (5/8" Wide Lining - Early Version)	C5NN2A097B	4000, 3900, 4100, 4600, Ind. 340, 340A, 340B, 3550, 420, 445, 445A, 450, 4500, 515, 532, 535, 540A, 540B, 545, 545A
4	F66178 Brake Disc - Friction (8") (1 9/32" Wide Lining - Late Version)	E9NN2N097AA C5NN2A097B	4000, 3900, 4100, 4600, 2810, 2910, 3910, 4110, 4610, 3230, 3430, 3930, 4130, 4630, 4830, 5030, Ind. 250C, 260C, 340, 340A, 340B, 345C, 345D, 3550, 420, 445, 445A, 445C, 445D, 450, 4500, 515, 532, 535, 540A, 540B, 545, 545A, 545C, 545D, 550, 555, 555A, 555B, 655, 655A
4	F65377 Brake Disc - Friction (9") (5/8" Wide Lining - Early Version)	C7NN2A097B	5000, 7000, 5600, 6600, 6700, 7600, 7700, 6710, 7710, Ind. 5500, 5550, 650, 6500, 750, 755, 755A, 755B, 7500
4	F66175 Brake Disc - Friction (9") (1 9/32" Wide Lining - Late Version)	E9NN2N097BA	5900, 5610, 5610S, 6610, 6610S, 6810, 7610, 7610S, (7810 less Cab), 7810S, 7910, 8010, 8210, 5640, 6640, 7740, 7840, 8240, 8340, TS90, TS100, TS110
5	F65378 Intermediate Disc (8") Steel	C5NN2N315B	4000, 3900, 4100, 4600, 2810, 2910, 3910, 4110, 4610, 3230, 3430, 3930, 4130, 4630, 4830, 5030, Ind. 250C, 260C, 335, 340, 340A, 340B, 340B, 345C, 345D, 3550, 420, 445, 445A, 445C, 445D, 450, 455, 4400, 4500, 515, 532, 535, 540, 540A, 540B, 545, 545A, 545C, 545D, (550, 555, 555A, 555B, 655, 655A ->8/86)
5	F65379 Intermediate Disc (9") Steel (2" Wide Lining - Early Version)	C5NN2N315A	5000, 7000, 5600, 6600, 6700, 7600, 7700, Ind. 5500, 5550, 650, 6500, 750, 7500, 755, 755A, 755B
5	F66179 Intermediate Disc (9") (1 9/16" Wide Lining - Late Version)	E6NN2N315AA	5900, 5610, 5610S, 6610, 6610S, 6710, 6810, 7610, 7610S, 7710, 7810, 7810S, 7910, 8010, 8210, 5640, 6640, 7740, 7840, 8240, 8340, TS90, TS100, TS110
6	F66787 Repair Kit - Master Cylinder	F1NN2004AA	5640, 6640, 7740, 7840, 8240, 8340, TS90, TS100, TS110

F6

Disc Brake Linkage and Related Components



OUR No.	DESCRIPTION	EQUIVALENT	TRACTOR MODEL
1	F65374 Seal - Actuator Rod	C5NN2N336A E7NN2N336A 85999093	4000, 5000, 7000, 3900, 4100, 4600, 5600, 5900, 6600, 6700, 7600, 7700, 2810, 2910, 3910, 4110, 4610, 5610, 5610S, 6610, 6610S, 6710, 6810, 7610, 7610S, 7710, 7810, 7810S, 7910, 8010, 8210, 3230, 3430, 3930, 4130, 4630, 4830, 5030, (5640, 6640, 7740, 7840, 8240, 8340, w/ 8x2 or 16x4 Trans), TS90, TS100, TS110, Ind. 250C, 260C, 335, 340, 340A, 340B, 345C, 345D, 3550, 420, 445, 445A, 445C, 445D, 455, 455C, 455D, 4400, 4500, 515, 532, 535, 540, 540A, 540B, 545, 545A, 545C, 545D, 550, 555, 555A, 555B, 555C, 555D, 575D, 650, 6500, 655, 655A, 655C, 655D, 675D, 750, 7500, 755, 755A, 755B
2	F66229 Rod - Actuator	C7NN2466B	(5900 5/68->), 7000, (5900 ->4/89), 5600, 6600, 6700, 7600, 7700, (5610, 6610, 6710, 6810, 7610, 7710 ->4/89), (7810 less Cab), 7910, 8210
3	F66191 Rod - Actuator	E8NN2466DA	(5900 5/89->), (5610, 6610, 6710, 6810, 7610, 7610, 8010 5/89->), 5610S, 6610S, 7610S, 7810S, 5640, 6640, 7740, 7840, 8240, 8340, TS90, TS100, TS110
4	F60410 Spring - Pedal Return (except Rowcrop)	C5NN2472H	5000, 7000, 5600, 5900, 6600, 7600, 5610, 5610S, 6610, 6610S, 6810, 7610, 7610S, 7810, 8010
4	F60429 Spring - Pedal Return	E1NN2472BA	Ind. 334, 340, 340A, 340B, 540, 540A, 540B, 545, 545A
5	F65870 Seal - Cross Shaft	D9NN2N289AA	4000, 5000, 7000, 3900, 4100, 4600, 5600, 5900, 6600, 6700, 7600, 7700, 2810, 2910, 3910, 4110, 4610, 5610, 5610S, 6610, 6610S, 6710, 6810, 7610, 7610S, 7710, 7810, 7810S, 7910, 8010, 8210, 3230, 3430, 3930, 4130, 4630, 4830, 5030, (5640, 6640, 7740, 7840, 8240, 8340, w/ 8x2 or 16x4 Trans), TS90, TS100, TS110, Ind. 250C, 260C, 335, 340, 340A, 340B, 345C, 345D, 3550, 420, 445, 445A, 445C, 445D, 455, 455C, 455D, 4400, 4500, 515, 532, 535, 540, 540A, 540B, 545, 545A, 545C, 545D, 550, 555, 555A, 555B, 555C, 555D, 575D, 650, 6500, 655, 655A, 655C, 655D, 675D, 750, 7500, 755, 755A, 755B
6	F65375 Dust Seal - Cross Shaft - Felt	D2NN2N171A	Same as Above
7	F61475 Bushing - Cross Shaft (1 1/4" x 1 1/8" x 1")	C5NN2N477A	Same as Above

We have attempted to insure the accuracy of the information listed and reserve the right for type error.

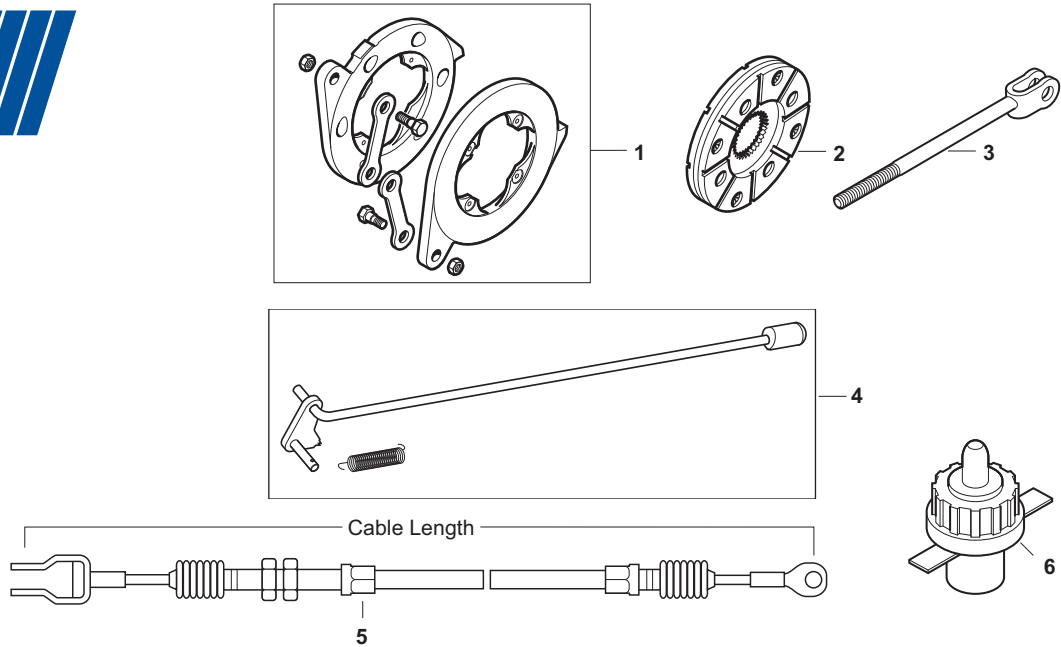
Some part numbers and manufactures' names are used strictly for reference purpose only
Any prices listed are subject to change without notice and are in U.F dollarF Not all items are stocking items

www.ForMenWhoGrow.com - Contact: RickStair@gmail.com



F6

Hand Brakes and Related Components



OUR No.	DESCRIPTION	EQUIVALENT	TRACTOR MODEL
1	F66150 Actuator - Hand Brake	C5NN2N623B	(2000, 3000, 4000 65->UK), (2000, 3000, 4000 1/72->US), (5000 65->), 2600, 3600, 3900, 4100, 4600, 5600, 5900, 6600, 6700, 7600, 7700, 2310, 2610, 2810, 2910, 3610, 3910, 4110, 4610, 5610, 6610, 7610, 7710, Ind. 230A, 231, 233, 234, 333, 335, 340, 340A, 340B, 3500, 3550, 420, 4400, 4500, 445, 445A, 450, 515, 531, 532, 540, 540A, 540B, 545, 545A, 5500, 5550
2	F65777 Disc - Hand Brake (4" Dia) (1 1/4" - 23 Spline)	E9NN2N625AB D5NN2N625A C5NN2N625B	Same as Above
3	F43172 Rod - Actuator	C7NN2466A	(2000, 3000, 4000, 5000 65-9/67), Ind. (3400, 3500, 3550, 4400, 4500 65-9/67)
4	F66303 Repair Kit - Hand Brake (Contains: Rod, Knob, Pawl, Spring)	E0A2744 C5NN2N615B C7NN2N616D C7NN2N606B	(2000, 3000 1/67->UK), (5000, 7000 6/68->UK), (2600, 3600, 5600, 6600, 7600, 5610, 6610, 6810, 7610, UK), (7810 less Cab), 5610S, 6610S, 7610S, 7810S
5	F66255 Cable - Hand Brake (72.3" Long) Single Cable System	D6NN2853B	2600, 3600, 4100, 4600, 5600, 6600, 6700, 7600, 7700, (2310, 2610, 2810, 2910, 3610, 3910, 4110, 4610 w/ Cab 1/81-12/82), (6710, 7710, UK w/ Cab), 7810, 7910, 8210, Ind. (230A w/ Cab 81-12/82), 233, (234 w/ Cab 81-12/82), 333, (334, 335, 530A w/ Cab 81-12/82), 531
5	F66256 Cable - Hand Brake (26.7" Long) Dual Cable System - LH	E1NN2853BC	(2310, 2610, 2810, 2910, 3610, 3910, 4110, 4610 w/ Cab), 5900, 5610, 6610, 6710, 6810, 7610, 7710, (7810, 7910, 8210 w/ Cab), Ind. (230A, 234, 334, 335, 530A, w/ Cab)
5	F66254 Cable - Hand Brake (75.3" Long) Dual Cable System - RH	E1NN2853AB	Same as Above
5	F66257 Cable - Hand Brake Single Cable System	D4NN2853D	Ind. 550, 555, 555A, 555B, 655, 655A
5	F66258 Cable - Hand Brake (41.4" Long) Dual Cable System	E3NN2853CB	Ind. 445, 555, 555A, 555B, 655, 655A
6	F62340 Switch - Handbrake	5131017	4835, 5635, 6635, 7635, Ind. 555E, 575E, 655E, 675E

We have attempted to insure the accuracy of the information listed and reserve the right for type error.

Some part numbers and manufactures' names are used strictly for reference purpose only Any prices listed are subject to change without notice and are in U.F dollarF Not all items are stocking items

www.ForMenWhoGrow.com - Contact: RickStair@gmail.com