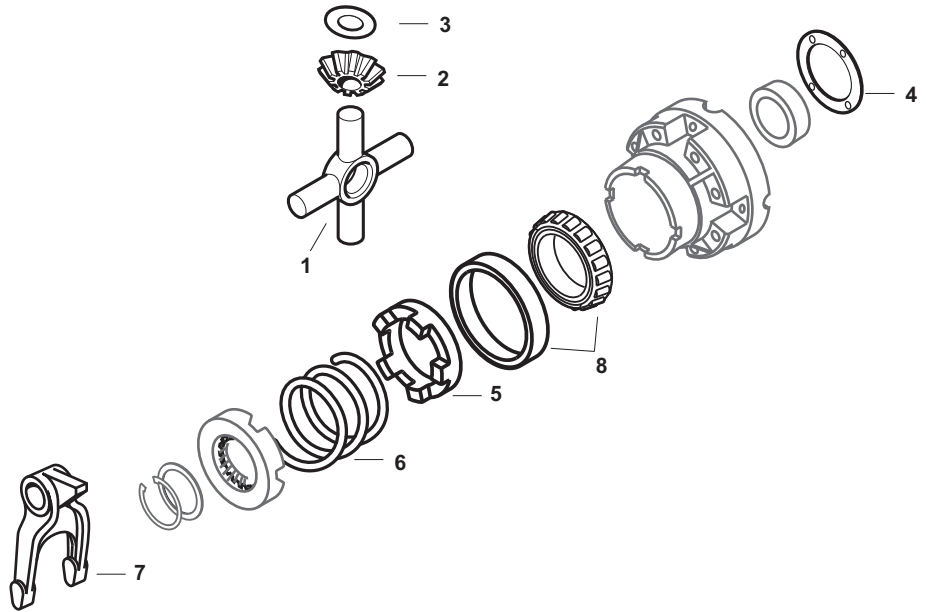


F8

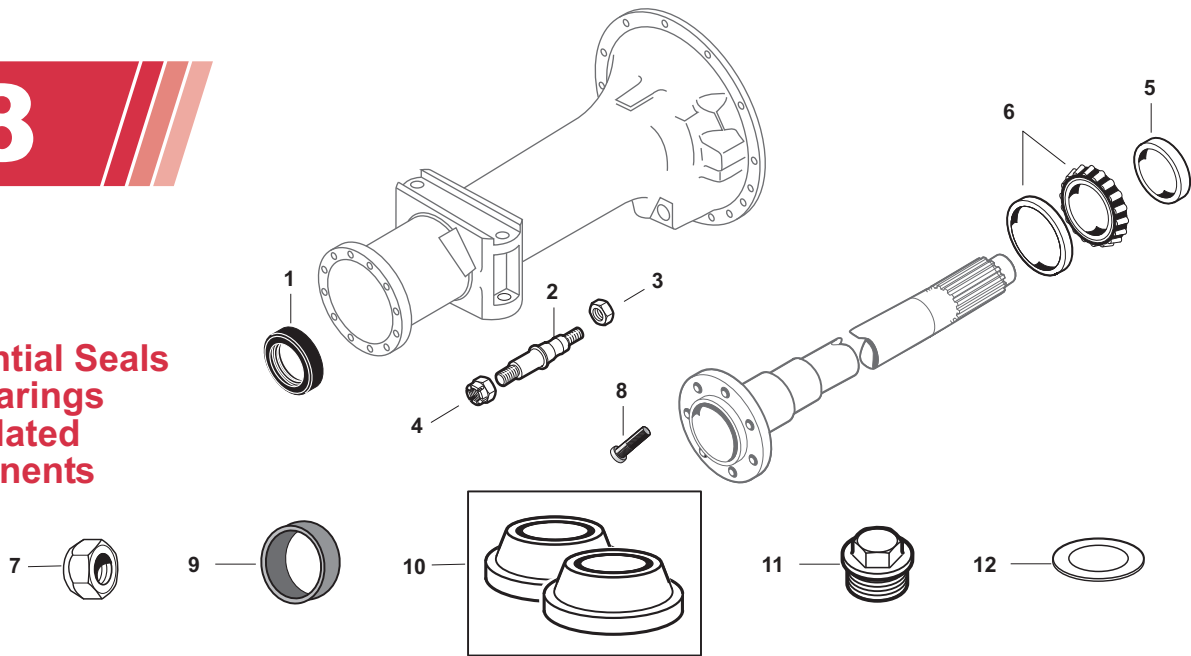
Differential Lock and Related Components



OUR #	DESCRIPTION	EQUIVALENT	TRACTOR MODEL
1	R66266 Spider	E1NN4211AB C5NN4211B	Dexta, Super Dexta
2	R66267 Pinion - Gear	E1ADDN4213B	Dexta, Super Dexta, (Fordson Major, Power Major, Super Major 11/60-12/64)
3	R66271 Thrust Washer	508E4230A	Dexta, Super Dexta, (Fordson Major, Power Major, Super Major 11/60-64)
4	R66270 Thrust Washer	957E4228	Dexta, Super Dexta (11/61-64)
5	R66279 Adaptor - Differential Lock	E186EB9	Super Dexta
6	R66280 Spring	E188EB9	Super Dexta
7	R66282 Fork - Differential Lock	C5NN4N053A	Super Dexta
8	R41455 Bearing and Cup - Differential	NDA4221A NDA4222A	600, 700, 800, 900, 601, 701, 801, 901, 2000, 4000

F8

Differential Seals and Bearings and Related Components



OUR #	DESCRIPTION	EQUIVALENT	TRACTOR MODEL
1	R41417 Inner Seal	957E4233B	Dexta, Super Dexta
2	R66273 Shaft - Lower Link	NCA563C	8N, NAA, Jubilee, 600, 800, 601, 801, 2000, 4000
3	R08933 Nut - 5/8" Slotted - Outer		8N, NAA, Jubilee, 600, 800, 601, 801, 2000, 4000
4	R40213 Nut - 3/4" Slotted - Inner		8N, NAA, Jubilee, 600, 800, 601, 801, 2000, 4000
5	R41407 Axle Collar	9N4124	9N, 2N
5	R66275 Axle Collar	NCA4132A	600, 800, 601, 801, 2000, 4000 (All Purpose Only)
6	R18516 Bearing & Cup (#3720/3780)	9N4222 2N4221	9N, 2N, 8N, NAA, Jubilee,
6	R65478 Bearing & Cup Assembly (Cone/Roller #387, Cup #382)	E18EB9 E19EB9	Dexta, Super Dexta
7	R01754 Lug Nut	8N1134 86531375	8N, NAA, Jubilee, 600, 700, 800, 900, 601, 701, 801, 901, 2000, 4000, Dexta, Super Dexta
7	R01060 Lug Nut	D3NN1120B	Fordson Major, Power Major, Super Major
8	R01600 Stud	C5NN1N118J	Fordson Major, Power Major, Super Major
9	R66741 Hub Spacer - Rear Axle (Replaces Cork Spacer)	8N4284	8N, NAA, Jubilee
10	R61512 Sure Seal - Pkg of 2 (Rear Axle Seals)		9N, 2N
11	R60340 Differential Filler Plug	9N7010	NAA, Jubilee, 600, 700, 800, 900, 601, 701, 801, 901, 2000, 4000
12	R61323 Gasket	8N7011	9N, 2N, 8N, NAA, 600, 700, 800, 900, 601, 701, 801, 901, 2000, 4000