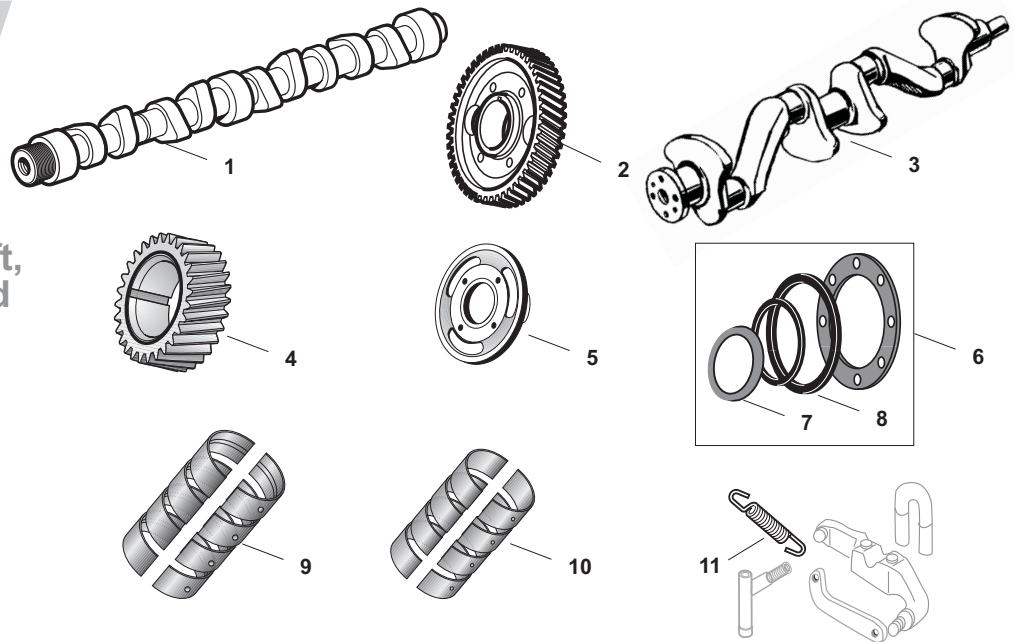


**Engine Parts  
and Related  
Components**

- Continental Z120, 129, 134**
- 1 — **Camshaft, Crankshaft, Bearings and Related Components - Continental**
- 2 — **Piston, Ring & Liner Kits, Gaskets and Related Components - Continental**
- 3 — **Valve Train Kits, Rocker Shaft and Related Components - Continental**
- 4 — **Engine Oil Filters and Related Components - Continental**
- 5 — **Carburetor, Gas Tanks and Related Components - Continental**
- 6 — **Air Cleaner and Related Components - Continental**
- 7 — **Manifold, Exhaust System and Related Components - Continental**
- Standard Motors 80, 85, 87mm Gas**
- 8 — **Camshafts, Crankshafts, Bearings and Related Components - Standard Motors Gas**
- 9 — **Piston, Ring & Liner Kits, Gaskets and Related Components - Standard Motors Gas**
- 10 — **Valve Train Kits and Related Components - Standard Motors Gas**
- 11 — **Oil Filters, Gas Tanks and Related Components - Standard Motors Gas**
- 12 — **Exhaust System and Related Components - Standard Motors Gas**
- Standard Motors 20C, 23C Diesel**
- 13 — **Camshafts, Crankshafts, Bearings and Related Components - Standard Motors Diesel**
- 14 — **Piston, Ring & Liner Kits, Gaskets and Related Components - Standard Motors Diesel**
- 15 — **Valve Train Kits and Related Components - Standard Motors Diesel**
- 16 — **Oil Filters, Lift Pumps, Gas Tanks and Related Components - Standard Motors Diesel**
- 17 — **Exhaust System and Related Components - Standard Motors Diesel**

## Sparex Replacement Spare Parts - Ferguson

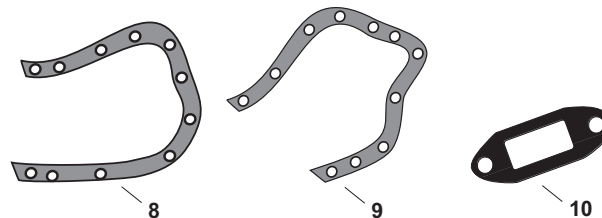
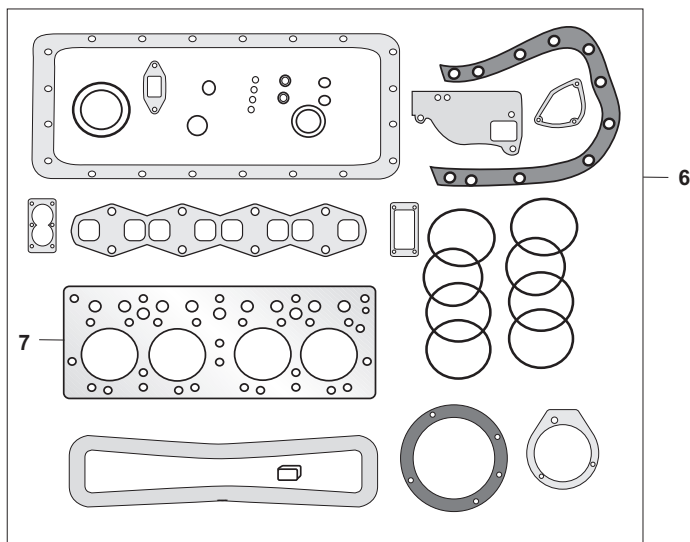
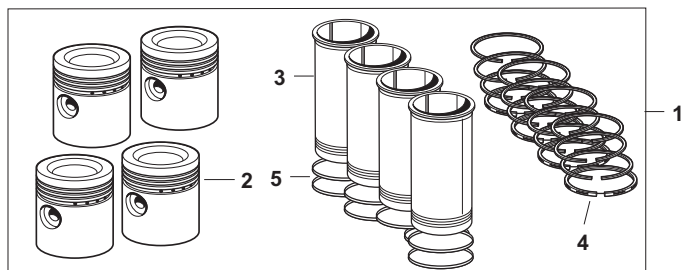
### Camshaft, Crankshaft, Bearings and Related Components Continental Engine



SPAREX No.	DESCRIPTION	EQUIVALENT	TRACTOR MODEL
1	<b>S.60104</b> Camshaft	1750293M1 836543M91	TE20, TO20, TO30, TO35, F40
2	<b>S.61042</b> Camshaft Gear	1750237M1	TE20, TO20, TO30, TO35, F40
3	<b>S.42843</b> Crankshaft	1750280M1	TE20, TO20
3	<b>S.60113</b> Crankshaft	1750169M1	TO30, TO35, F40
4	<b>S.61041</b> Crankshaft Gear	1750284M1	TE20, TO20, TO30
5	<b>S.44982</b> Crankshaft Pulley	1750076M1	TO35, F40
6	<b>S.61503</b> Crankshaft Seal Kit		TE20, TO20, TO30, TO35, F40
7	<b>S.42989</b> Crankshaft Seal - Front	1008597M1	TE20, TO20, TO30, TO35, F40
8	<b>S.61530</b> Crankshaft Seal - Rear	1500080M1	TE20, TO20, TO30, TO35, F40
9	<b>S.60896</b> Main Bearing Set - Flanged - Std.		TE20, TO20, TO30
9	<b>S.60897</b> Main Bearing Set - Flanged - .010"		TE20, TO20, TO30
9	<b>S.60898</b> Main Bearing Set - Flanged - .020"		TE20, TO20, TO30
9	<b>S.60899</b> Main Bearing Set - Flanged - .030"		TE20, TO20, TO30
9	<b>S.60900</b> Main Bearing Set - Flanged - .040"		TE20, TO20, TO30
9	<b>S.60901</b> Main Bearing Set - Flanged - Std.		TO35, F40
9	<b>S.60902</b> Main Bearing Set - Flanged - .010"		TO35, F40
9	<b>S.60903</b> Main Bearing Set - Flanged - .020"		TO35, F40
9	<b>S.60904</b> Main Bearing Set - Flanged - .030"		TO35, F40
9	<b>S.60905</b> Main Bearing Set - Flanged - .040"		TO35, F40
10	<b>S.60891</b> Rod Bearing Set - Std.		TE20, TO20, TO30, TO35, F40
10	<b>S.60892</b> Rod Bearing Set - .010"		TE20, TO20, TO30, TO35, F40
10	<b>S.60893</b> Rod Bearing Set - .020"		TE20, TO20, TO30, TO35, F40
10	<b>S.60894</b> Rod Bearing Set - .030"		TE20, TO20, TO30, TO35, F40
10	<b>S.60895</b> Rod Bearing Set - .040"		TE20, TO20, TO30, TO35, F40
11	<b>S.43069</b> Spring - Governor Compensating	181535M1	TE20, TO20, TO30, TO35, F40

## Sparex Replacement Spare Parts - Ferguson

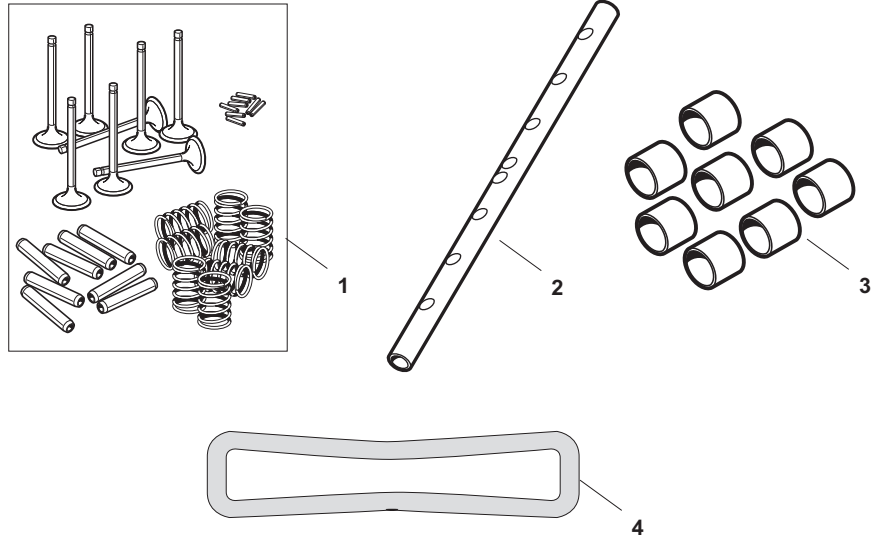
### Piston, Ring & Liner Kits, Gaskets and Related Components Continental Engine



SPAREX No.	DESCRIPTION	EQUIVALENT	TRACTOR MODEL
1	<b>S.60738</b> Piston, Ring & Liner Kit w/ Liner Seals (3 5/16" Overbore) Includes: S.60838 Piston, S.60843 Liner, S.60856 Ring Set, S.11364 Liner Seal		<b>TE20, TO20</b> (Continental Z120)
1	<b>S.60737</b> Piston, Ring & Liner Kit w/ Liner Seals (3 3/8" Overbore) Includes: S.60839 Piston, S.60844 Liner, S.60857 Ring Set, S.11364 Liner Seal		<b>TO30, TO35, F40</b> (Continental Z129, Z134)
2	<b>S.60838</b> Piston		<b>TE20, TO20</b> (Continental Z120)
2	<b>S.60839</b> Piston		<b>TO30, TO35, F40</b> Continental Z129, Z134)
3	<b>S.60843</b> Liner		<b>TE20, TO20</b> (Continental Z120)
3	<b>S.60844</b> Liner		<b>TO30, TO35, F40</b> (Continental Z129, Z134)
4	<b>S.60856</b> Ring Set - Complete Engine Set		<b>TE20, TO20</b> (Continental Z120)
4	<b>S.60857</b> Ring Set - Complete Engine Set		<b>TO30, TO35, F40</b> (Continental Z129, Z134)
5	<b>S.11364</b> Liner Seal - Each		<b>(TE20, TO20 w/ Z120), (TO30, TO35, F40</b> Continental Z129, Z134)
6	<b>S.61501</b> Overhaul Gasket Set - less Crankshaft Seals	830631M91	<b>TE20, TO20, TO30</b> (Continental Z120, Z129)
6	<b>S.61502</b> Overhaul Gasket Set - less Crankshaft Seals	830689M91	<b>TO35, F40</b> (Continental Z134)
7	<b>S.42723</b> Head Gasket	1750336M1	<b>TE20, TO20, TO30</b> (Continental Z120, Z129)
7	<b>S.42717</b> Head Gasket	1750017M1	<b>TO35, F40</b> (Continental Z134)
8	<b>S.42720</b> Timing Cover Gasket	1750274M1	<b>TE20, TO20, TO30</b> (Continental Z120, Z129)
9	<b>S.42718</b> Timing Cover Gasket	1750032M1	<b>TO35, F40</b> (Continental Z134)
10	<b>S.42719</b> Thermostat Housing Gasket	181528M1	<b>TE20, TO20, TO30, TO35, F40</b> (Continental Z120, Z129, Z134)

## Sparex Replacement Spare Parts - Ferguson

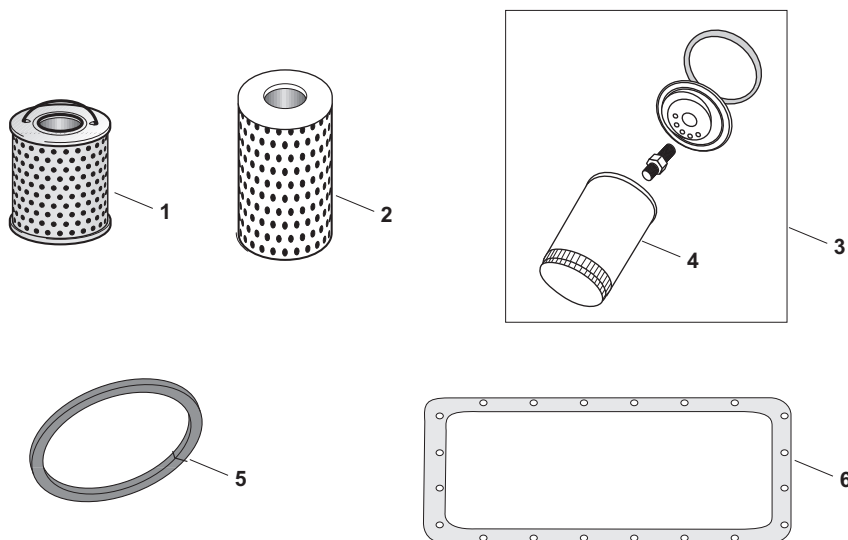
### Valve Train Kits, Rocker Shaft and Related Components Continental Engine



SPAREX No.	DESCRIPTION	EQUIVALENT	TRACTOR MODEL
1	<b>S.43363</b> Valve Train Kit w/ Pin Type Keepers Includes: Valves, Guides, Springs, Locks Does NOT include Retainers - Cannot be used w/ Rotators		<b>TE20, TO20</b> (Continental Z120)
1	<b>S.43364</b> Valve Train Kit w/ Pin Type Keepers Includes: Valves, Guides, Springs, Locks Does NOT include Retainers - Cannot be used w/ Rotators		<b>TO30, TO35, F40</b> (Continental Z129, Z134)
2	<b>S.60127</b> Rocker Shaft - Threaded Ends	1750294M91	<b>TE20, TO20, TO30</b> (Continental Z120, Z129)
2	<b>S.60093</b> Rocker Shaft - Plugged Ends	1750073M1	<b>TO35, F40</b> (Continental Z134)
3	<b>S.60327</b> Rocker Shaft Bushing Set (8) Semi-Finished		<b>TE20, TO20, TO30</b> (Continental Z120, Z129)
4	<b>S.42724</b> Rocker Cover Gasket	1750002M1	<b>TE20, TO20, TO30, TO35, F40</b> (Continental Z120, Z129, Z134)

## Sparex Replacement Spare Parts - Ferguson

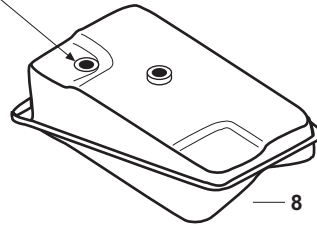
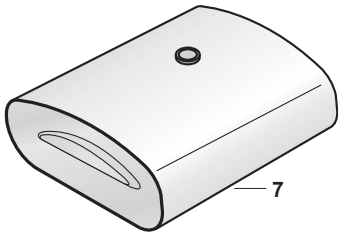
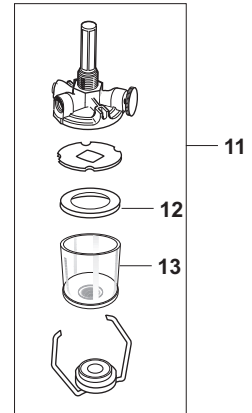
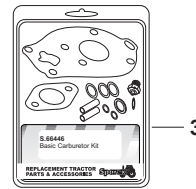
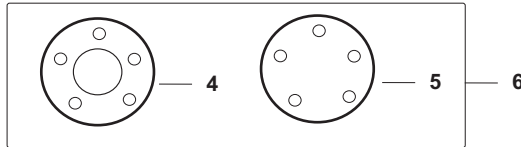
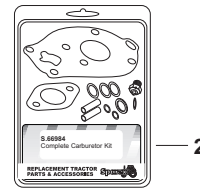
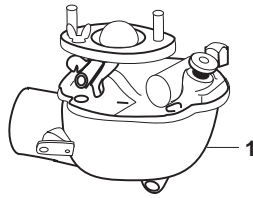
### Engine Oil Filters and Related Components Continental Engine



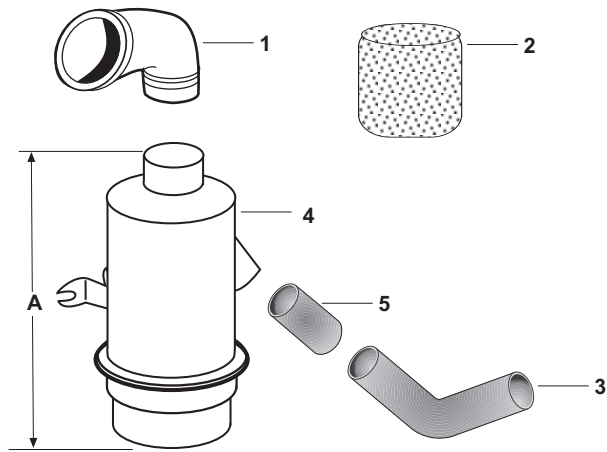
	SPAREX No.	DESCRIPTION	EQUIVALENT	TRACTOR MODEL
1	<b>S.60545</b>	Engine Oil Filter Element		<b>TE20, TO20</b> (Continental Z120)
2	<b>S.61121</b>	Engine Oil Filter Element	835817M91	<b>TO30, TO35, F40</b> (Continental Z129, Z134)
2	<b>S.61122</b>	Engine Oil Filter Element Bulk - Order in multiples of 12	835817M91	<b>TO30, TO35, F40</b> (Continental Z129, Z134)
3	<b>S.42809</b>	Engine Oil Filter Adaptor Kit w/ Filter		<b>TO30, TO35, F40</b>
4	<b>S.66491</b>	Engine Filter - Spin-on		<b>TO30, TO35, F40</b>
5	<b>S.42721</b>	Engine Oil Filter Cover Seal	1750269M1	<b>TE20, TO20</b>
6	<b>S.42722</b>	Oil Pan Gasket	1750024M1	<b>TE20, TO20, TO30, TO35, F40</b>

## Sparex Replacement Spare Parts - Ferguson

### Carburetors, Gas Tanks and Related Components Continental Engine



SPAREX No.	DESCRIPTION	EQUIVALENT	TRACTOR MODEL
1	S.43061 Carburetor - Marvel Schebler Style	181643M91 181644M91	TE20, TO20, TO30
2	S.66984 Complete Carburetor Kit - Marvel Schebler Carburetor		TE20, TO20, TO30
3	S.66446 Basic Carburetor Kit - Marvel Schebler Carburetor		TE20, TO20, TO30
4	S.42902 Gasket - Sender	189605M1	
5	S.42903 Plate - Sender - Blanking (5 Hole, 2 9/16" Dia)	188116M1	
6	S.42904 Kit - Blanking Plate w/ Gasket	188116M1 189605M1	
7	S.42413 Gas Tank - Replacement Tank Threaded Cap included, Outlet 1" forward of original, Tool Box mounting holes not drilled	181637M91	TE20, TO20, TO30
8	S.42744 Gas Tank	189209M93	TO35
9	S.43235 Gas Tank Cap - Zinc	520948M91 188716M93 180144M91	TE20, TO20, TO30, TO35, F40
9	S.43236 Gas Tank Cap - Chrome	520948M91 188716M93 180144M91	TE20, TO20, TO30, TO35, F40
10	S.58926 Gas Tank Cap - Brass - Threaded w/ Chain		(TE20 ->SN 200000)
11	S.61578 Sediment Bowl Assembly	180141M91	TE20, TO20, TO30, TO35, F40
12	S.61508 Gasket - Glass Bowl (Pack of 10)	180060M1	TE20, TO20, TO30, TO35, F40
13	S.66417 Glass Bowl	1001514M1	TE20, TO20, TO30, TO35, F40



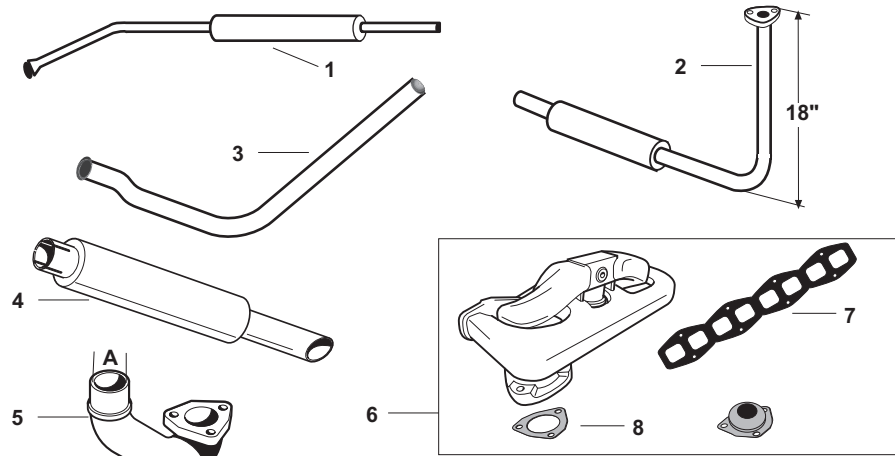
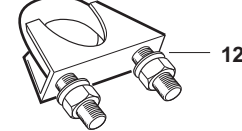
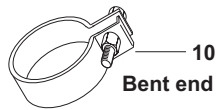
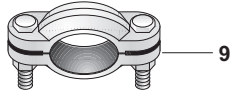
**Sparex Replacement  
Spare Parts - Ferguson**

**Air Cleaner,  
and Related  
Components**  
Continental Engine

SPAREX No.	DESCRIPTION	EQUIVALENT	TRACTOR MODEL
1	<b>S.42566</b> Air Cleaner Hose	180362M1	<b>TO30, TO35</b>
2	<b>S.43231</b> Air Cleaner Filler - Steel Wool (1 Bag = 4 1/2 x 4")		
3	<b>S.60094</b> Air Cleaner Tube - Carburetor	181715M1	<b>TO20</b>
3	<b>S.60074</b> Air Cleaner Tube - Carburetor	181716M1	<b>TO30</b>
4	<b>S.42747</b> Air Cleaner (A=13 7/8")	187118M91	<b>(TO35 SN 204181-&gt;)</b>
5	<b>S.60595</b> Air Cleaner Hose (1 1/2"ID x 2 1/2" Long)	180062M1	<b>TO30, TO35, F40</b>

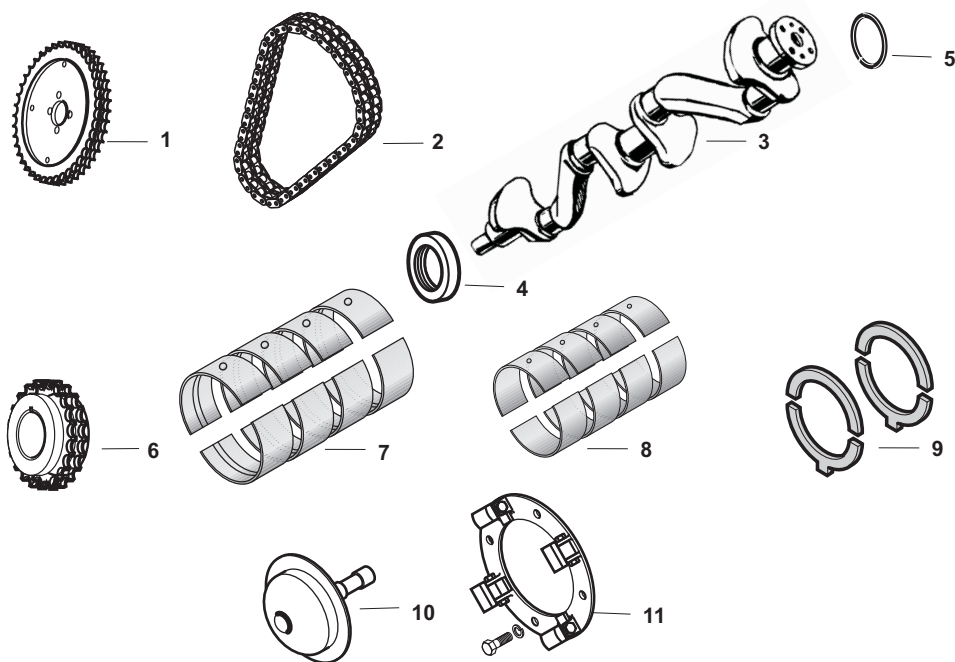
## Sparex Replacement Spare Parts - Ferguson

## Manifold, Exhaust System and Related Components Continental Engine



SPAREX No.	DESCRIPTION	EQUIVALENT	TRACTOR MODEL
1	S.60791 Muffler & Pipe Assembly - Horizontal	181460M1 505545M92	TO20, TO30
2	S.61836 Muffler & Pipe Assembly	181600M92 505545M92	TO35
3	S.42513 Pipe	825699M1	TE20
4	S.42462 Muffler - Horizontal	825698M91	TE20
5	S.43369 Exhaust Elbow (A=1 7/8")	181886M2	(TE20, TO30, TO35 w/ Z120, 129, 134)
6	S.60036 Manifold w/ Gaskets (Gasket S.60870x1, Flange Gasket S.40645x1)	1750343M91 1040903M91	TE20, TO20, TO30, TO35
7	S.60870 Gasket - Manifold	1750045M1	TE20, TO20, TO30, TO35, F40
8	S.40645 Gasket - Manifold Flange	827877M1	TE20, TO20, TO30, TO35
9	S.60654 Muffler Clamp	181461M1	TE20, TO20, TO30
10	S.31115 Muffler Clamp - Zinc Plated (1 15/16"Ø)		
10	S.31117 Muffler Clamp - Zinc Plated (2 1/2"Ø)		
11	S.31116 Muffler Clamp - Zinc Plated (2"Ø) Like Original		
12	S.08872 Muffler Clamps (1 1/8")		
12	S.08873 Muffler Clamps (1 1/4")		
12	S.08874 Muffler Clamps (1 3/8")		
12	S.08875 Muffler Clamps (1 1/2")		
12	S.08876 Muffler Clamps (1 5/8")		
12	S.08877 Muffler Clamps (1 11/16")		
12	S.08878 Muffler Clamps (1 3/4")		
12	S.08879 Muffler Clamps (1 7/8")		
12	S.08880 Muffler Clamps (2")		
12	S.06314 Muffler Clamps (2 1/8")		
12	S.06315 Muffler Clamps (2 1/4")		



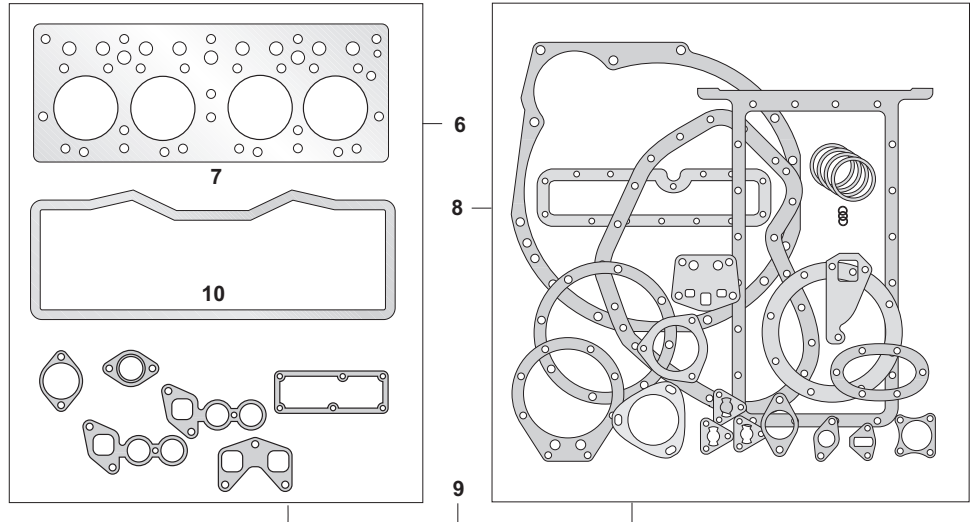
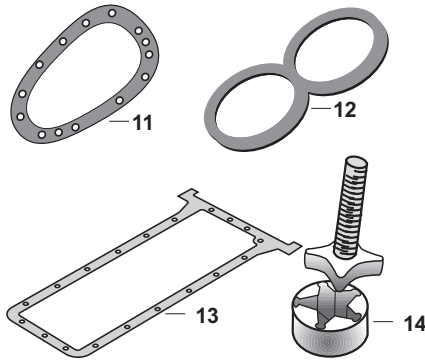
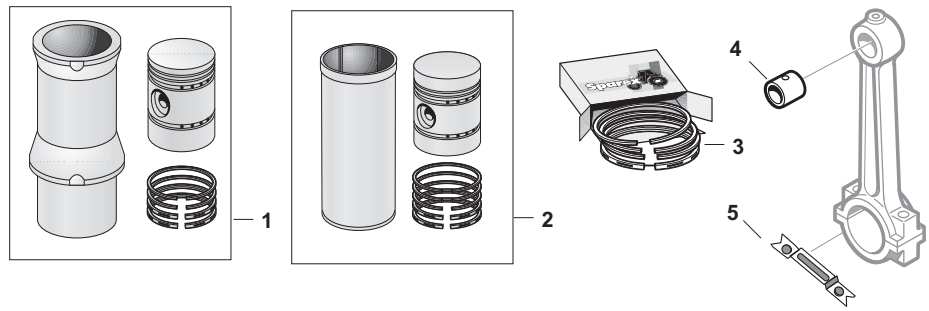


SPAREX No.	DESCRIPTION	EQUIVALENT	TRACTOR MODEL
1	<b>S.42418</b> Camshaft Sprocket (42 Tooth)	825135M1	<b>TEA20, FE35</b>
2	<b>S.60909</b> Timing Chain (58 Links)	825199M1 825887M91	<b>TEA20, FE35</b>
3	<b>S.42688</b> Crankshaft	825216M1	<b>TEA20, FE35</b>
4	<b>S.42195</b> Seal - Front Crankshaft	825740M1	<b>TEA20, FE35</b>
5	<b>S.41725</b> Seal - Rear Crankshaft	825208M1	<b>TEA20, FE35</b>
6	<b>S.42419</b> Sprocket - Crankshaft (21 Tooth)	825136M1	<b>TEA20, FE35</b>
7	<b>S.60933</b> Main Bearing Set - STD	825840M91	<b>TEA20, FE35</b>
7	<b>S.60934</b> Main Bearing Set - 0.010"	825837M91	<b>TEA20, FE35</b>
7	<b>S.60935</b> Main Bearing Set - 0.020"	825982M91	<b>TEA20, FE35</b>
7	<b>S.42426</b> Main Bearing Set - 0.030"	825983M91	<b>TEA20, FE35</b>
7	<b>S.60936</b> Main Bearing Set - 0.040"	825984M91	<b>TEA20, FE35</b>
8	<b>S.60928</b> Rod Bearing Set - STD	1810083M91	<b>TEA20, FE35</b>
8	<b>S.60929</b> Rod Bearing Set - 0.010"	1810084M91	<b>TEA20, FE35</b>
8	<b>S.60930</b> Rod Bearing Set - 0.020"	1810085M91	<b>TEA20, FE35</b>
8	<b>S.60931</b> Rod Bearing Set - 0.030"	1810086M91	<b>TEA20, FE35</b>
8	<b>S.60932</b> Rod Bearing Set - 0.040"	1810087M91	<b>TEA20, FE35</b>
9	<b>S.42365</b> Thrust Washers Set -STD	825111M1 825112M1	<b>TEA20, FE35,</b>
10	<b>S.42421</b> Cup & Shaft Assembly - Governor	825157M91	<b>TEA20, FE35</b>
11	<b>S.42423</b> Weight Assembly - Governor	825156M91	<b>TEA20, FE35</b>

## Sparex Replacement Spare Parts - Ferguson

### Piston, Ring & Liner Kits, Gaskets and Related Components

Standard Motors Gas (80mm, 85mm, 87mm)

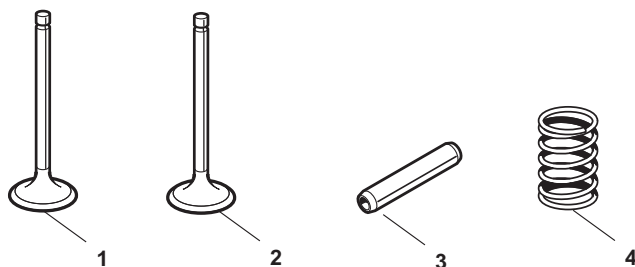


	SPAREX No.	DESCRIPTION	EQUIVALENT	TRACTOR MODEL
1	S.42273	Piston, Ring & Liner Kit (per Cylinder)		TEA20 (w/ 80mm Engine)
2	S.42275	Piston, Ring & Liner Kit (per Cylinder)		TEA20 (w/ 85mm Engine)
2	S.42276	Piston, Ring & Liner Kit (per Cylinder)		FE35 (w/ 87mm Engine)
3	S.42483	Ring Set (per Cylinder)		TEA20 (w/ 80mm Engine)
3	S.41614	Ring Set (per Cylinder)		TEA20 (w/ 85mm Engine)
3	S.41615	Ring Set (per Cylinder)		FE35 (w/ 87mm Engine)
4	S.42573	Bushing - Connecting Rod	825146M1	TEA20, FE35 (w/ 80, 85, 87mm Engine)
5	S.42420	Lockplate - Rod Bolt	825140M1	TEA20, FE35 (w/ 80, 85, 87mm Engine)
6	S.43010	Top Gasket Set		TEA20 (w/ 80mm Engine)
6	S.42085	Top Gasket Set		TEA20, FE35 (w/ 85, 87mm Engine)
7	S.43009	Head Gasket	61849	TEA20 (w/ 80mm Engine)
7	S.42253	Head Gasket	825836M1	TEA20 (w/ 85mm Engine)
7	S.61699	Head Gasket	826250M1	FE35 (w/ 87mm Engine)
8	S.42631	Bottom Gasket Set	894915M91	TEA20 (w/ 80, 85mm Engine)
9	S.42486	Overhaul Gasket Set	894902M91	FE35 (w/ 87mm Engine)
10	S.42393	Rocker Cover Gasket	829029M1	TEA20, FE35 (w/ 80, 85, 87mm Engine)
11	S.42487	Timing Cover Gasket	825649M2	TEA20, FE35 (w/ 80, 85, 87mm Engine)
12	S.42488	Cylinder Liner Gasket (2 per Engine)	825864M1	FE35 (w/ 87mm Engine)
13	S.41726	Oil Pan Gasket	825654M1	TEA20, FE35 (w/ 80, 85, 87mm Engine)
14	S.61996	Oil Pump Shaft & Rotor	827501M91	TEA20, FE35 (w/ 80, 85, 87mm Engine)

## Sparex Replacement Spare Parts - Ferguson

### Valve Train and Related Components

Standard Motors Gas (80mm, 85mm, 87mm)

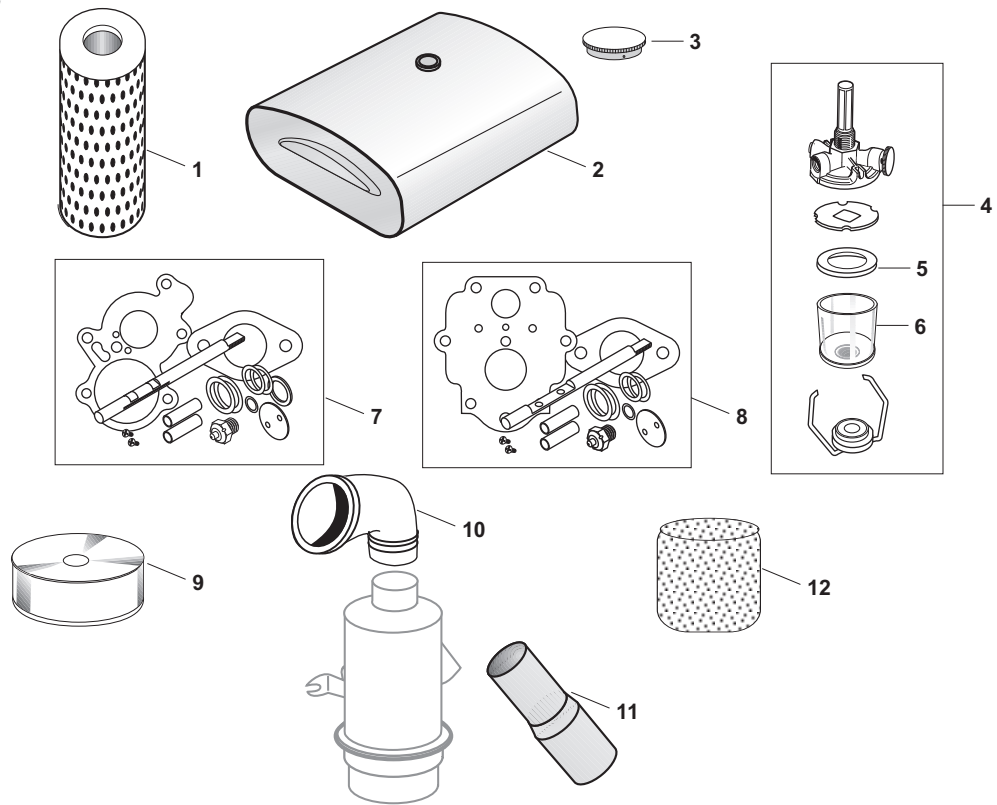


SPAREX No.	DESCRIPTION	EQUIVALENT	TRACTOR MODEL
1	<b>S.61902</b> Intake Valve	825388M1	<b>TEA20</b> (w/ 80, 85mm Engine)
1	<b>S.61903</b> Intake Valve	826244M1	<b>FE35</b> (w/ 87mm Engine)
2	<b>S.61904</b> Exhaust Valve	825369M1	<b>TEA20</b> (w/ 85mm Engine)
3	<b>S.60193</b> Guide	825259M1	<b>TEA20</b> (w/ 80, 85mm Engine - Intake or Exhaust), <b>FE35</b> (w/ 87mm Engine - Intake only)
3	<b>S.60194</b> Guide	826162M1	<b>FE35</b> (w/ 87mm Engine - Exhaust only)
4	<b>S.61906</b> Spring	825186M1	<b>TEA20, FE35</b> (w/ 80, 85, 87mm Engine)

## Sparex Replacement Spare Parts - Ferguson

### Engine Oil Filters, Gas Tank and Related Components

Standard Motors Gas (80mm, 85mm, 87mm)

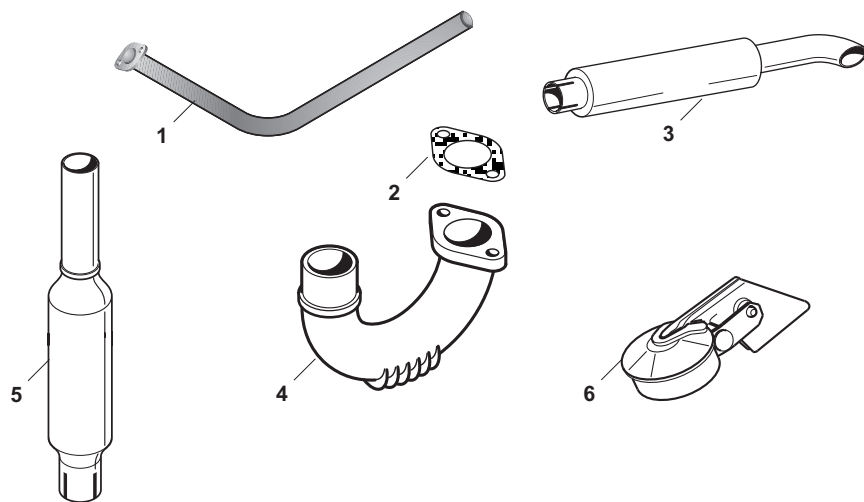


SPAREX No.	DESCRIPTION	EQUIVALENT	TRACTOR MODEL
1	<b>S.40535</b> Engine Oil Filter	825807M1 26560090	<b>TEA20, FE35</b> (w/ 80, 85, 87mm Engine)
2	<b>S.42413</b> Gas Tank w/ Threaded Cap Included	181637M91	<b>TEA20</b> (w/ 80, 85mm Engine)
3	<b>S.58926</b> Gas Cap w/ Chain - Threaded - Brass	825569M91	<b>TEA20</b> (w/ 80, 85mm Engine)
4	<b>S.61577</b> Sediment Bowl Assembly	632948M92	<b>TEA20, FE35</b> (w/ 80, 85, 87mm Engine)
5	<b>S.61508</b> Gasket - Glass Bowl (2") Pack of 10	825706M1	<b>TEA20, FE35</b> (w/ 80, 85, 87mm Engine)
6	<b>S.66417</b> Glass Bowl (2" x 1.28")	1004498M1	<b>TEA20, FE35</b> (w/ 80, 85, 87mm Engine)
7	<b>S.42540</b> Carburetor Kit - Zenith 24TZ		<b>TEA20</b> (w/ 80, 85mm Engine)
8	<b>S.42541</b> Carburetor Kit - Zenith 28G		<b>FE35</b> (w/ 87mm Engine)
9	<b>S.61576</b> Float - Carburetor	825236M1	<b>TEA20</b> (w/ 80, 85mm Engine)
10	<b>S.42566</b> Hose - Air Intake	180362M1	<b>TEA20</b> (w/ 85mm Engine SN 200001->)
11	<b>S.42417</b> Hose - Air Cleaner to Carburetor	825004M1	<b>TEA20</b> (w/ 80, 85mm Engine ->SN 439169)
12	<b>S.43231</b> Air Cleaner Filler - Steel Wool (1 Bag = 4 1/2 x 4")		

## Sparex Replacement Spare Parts - Ferguson

### Exhaust System and Related Components

Standard Motors Gas  
(80mm, 85mm, 87mm)

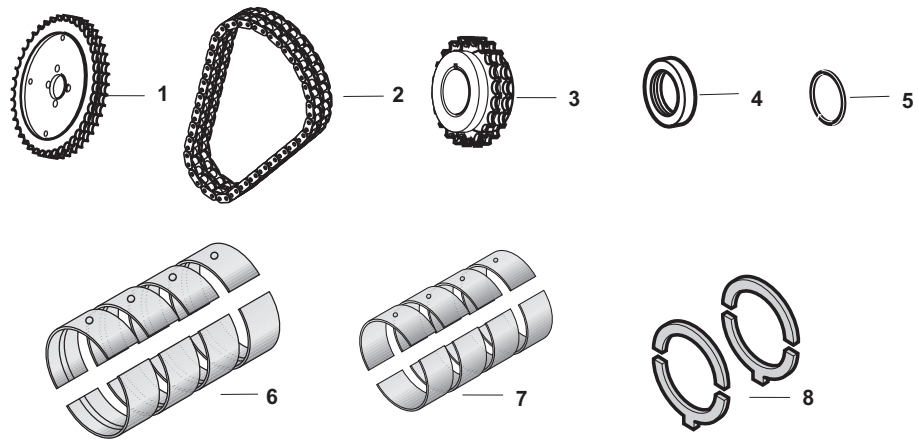


SPAREX No.	DESCRIPTION	EQUIVALENT	TRACTOR MODEL
1	<b>S.42428</b> Pipe - Horizontal	825093M91	(TEA20 80, 85mm Engine)
2	<b>S.40644</b> Gasket - Pipe to Manifold/Elbow to Manifold	825003M1	(TEA20 80, 85mm Engine), (FE35 87mm Engine)
3	<b>S.06300</b> Muffler - Horizontal (35" Overall, 1 1/2" Inlet, 23" Muffler)	890476M91 825698M91	TEA20, (FE35 80, 85, 87mm Engine)
4	<b>S.15981</b> Elbow (180° - 2 Hole)	640010M1	(FE35 87mm Engine)
5	<b>S.06301</b> Muffler - Vertical	894291M2	(FE35 87mm Engine)
6	<b>S.14448</b> Weather Caps (1 1/2")		
6	<b>S.14449</b> Weather Caps (3/4")		
6	<b>S.14445</b> Weather Caps (2")		
6	<b>S.14446</b> Weather Caps (2 1/4")		
6	<b>S.14447</b> Weather Caps (2 1/2")		
6	<b>S.19780</b> Weather Caps (2 3/4")		
6	<b>S.19781</b> Weather Caps (3")		

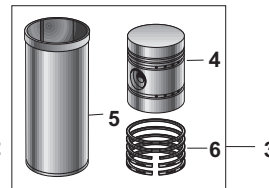
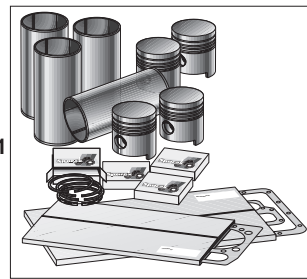
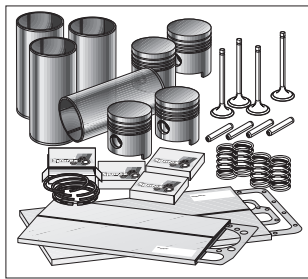
## Sparex Replacement Spare Parts - Ferguson

## Camshaft, Crankshaft, Bearings and Related Components

Standard Motors Diesel

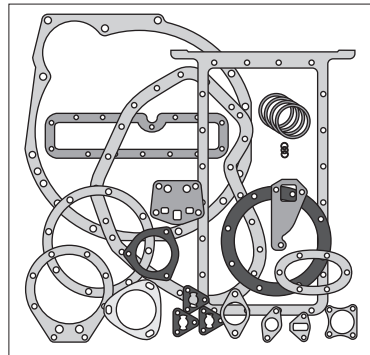
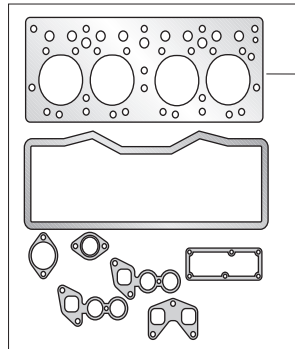


	SPAREX No.	DESCRIPTION	EQUIVALENT	TRACTOR MODEL
1	<b>S.61637</b>	Sprocket - Camshaft	826089M1	<b>TO35, F35</b> (w/ 23C Engine)
2	<b>S.41616</b>	Chain (89 Links)	61471	<b>TEF20</b> (w/ 20C Engine)
2	<b>S.60941</b>	Chain (62 Links)	826094M1	<b>TO35, F35</b> (w/ 23C Engine)
3	<b>S.61346</b>	Sprocket - Crankshaft	826041M1	<b>TO35, F35</b> (w/ 23C Engine)
4	<b>S.42195</b>	Seal - Front Crankshaft	825740M1	<b>TEF20, TO35, F35</b> (w/ 20C, 23C Engine)
5	<b>S.42233</b>	Seal - Rear Crankshaft	826046M1 1884098M1	<b>TEF20, TO35, F35</b> (w/ 20C, 23C Engine)
6	<b>S.42367</b>	Main Bearing Set - STD	830897M91	<b>TEF20, TO35, F35</b> (w/ 20C, 23C Engine)
6	<b>S.42368</b>	Main Bearing Set - .010"	830898M91	<b>TEF20, TO35, F35</b> (w/ 20C, 23C Engine)
6	<b>S.42369</b>	Main Bearing Set - .020"	830944M91	<b>TEF20, TO35, F35</b> (w/ 20C, 23C Engine)
6	<b>S.42370</b>	Main Bearing Set - .030"	830945M91	<b>TEF20, TO35, F35</b> (w/ 20C, 23C Engine)
6	<b>S.42371</b>	Main Bearing Set - .040"	830896M91	<b>TEF20, TO35, F35</b> (w/ 20C, 23C Engine)
7	<b>S.42366</b>	Rod Bearing Set - STD	830899M91	<b>TEF20, TO35, F35</b> (w/ 20C, 23C Engine)
7	<b>S.42574</b>	Rod Bearing Set - .010"	830900M91	<b>TEF20, TO35, F35</b> (w/ 20C, 23C Engine)
7	<b>S.42575</b>	Rod Bearing Set - .020"	830901M91	<b>TEF20, TO35, F35</b> (w/ 20C, 23C Engine)
7	<b>S.42576</b>	Rod Bearing Set - .030"	830902M91	<b>TEF20, TO35, F35</b> (w/ 20C, 23C Engine)
7	<b>S.42577</b>	Rod Bearing Set - .040"	830903M91	<b>TEF20, TO35, F35</b> (w/ 20C, 23C Engine)
8	<b>S.42427</b>	Thrust Washer Set - STD	826033M1 826034M1	<b>TEF20, TO35, F35</b> (w/ 20C, 23C Engine)



**Sparex Replacement  
Spare Parts - Ferguson**

**Pistons, Rings, Liners,  
Gaskets and Related  
Components**  
Standard Motors Diesel



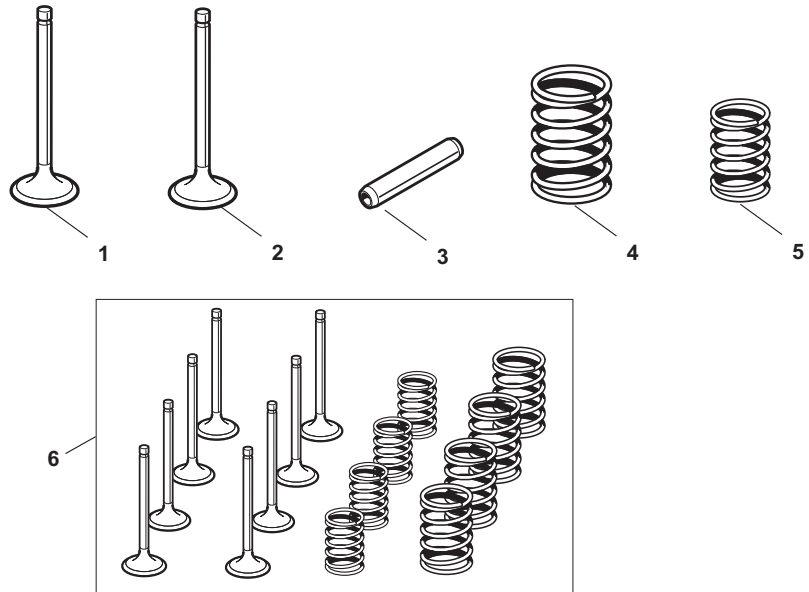
SPAREX No.	DESCRIPTION	EQUIVALENT	TRACTOR MODEL
1	<b>S.41944</b> Overhaul Kit w/ Valves & Springs Contains: Pistons, Rings, Liners, Intake Valves, Exhaust Valves, Inner & Outer Valves Springs, Top & Bottom Gasket Sets, Front & Rear Crankshaft Seals		<b>TO35, FE35 (w/ 23C Engine)</b>
2	<b>S.41945</b> Overhaul Kit less/ Valves & Springs Contains: Pistons, Rings, Liners, Top & Bottom Gasket Sets, Front & Rear Crankshaft Seals		<b>TO35, FE35 (w/ 23C Engine)</b>
3	<b>S.42274</b> Piston, Ring & Liner Kit (per Cylinder)		<b>TEF20 (w/ 20C Engine)</b>
3	<b>S.41943</b> Piston, Ring & Liner Kit (per Cylinder)		<b>TO35, FE35 (w/ 23C Engine)</b>
4	<b>S.75973</b> Piston		<b>TEF20 (w/ 20C Engine)</b>
4	<b>S.75974</b> Piston		<b>TO35, FE35 (w/ 23C Engine)</b>
5	<b>S.42626</b> Liner - Finished		<b>TEF20 (w/ 20C Engine)</b>
5	<b>S.42627</b> Liner - Finished		<b>TO35, FE35 (w/ 23C Engine)</b>
6	<b>S.42136</b> Ring Set (per Cylinder)		<b>TEF20 (w/ 20C Engine)</b>
6	<b>S.42135</b> Ring Set (per Cylinder)		<b>TO35, FE35 (w/ 23C Engine)</b>
7	<b>S.40586</b> Top Gasket Set	106387	<b>TEF20 (w/ 20C Engine)</b>
7	<b>S.40587</b> Top Gasket Set	1810028M91	<b>TO35, FE35 (w/ 23C Engine)</b>
8	<b>S.40617</b> Head Gasket	61153	<b>TEF20 (w/ 20C Engine)</b>
8	<b>S.40618</b> Head Gasket	1882771M1	<b>TO35, FE35 (w/ 23C Engine)</b>
9	<b>S.40602</b> Bottom Gasket Set - less Crankshaft Seals	894916M91	<b>TEF20 (w/ 20C Engine)</b>
9	<b>S.40603</b> Bottom Gasket Set - less Crankshaft Seals	363851M91	<b>TO35, FE35 (w/ 23C Engine)</b>
10	<b>S.42195</b> Crankshaft Seal - Front	825740M1	<b>TEF20, TO35, FE35 (w/ 20C, 23C Engine)</b>
11	<b>S.42233</b> Crankshaft Seal - Rear	826046M2 1884048M1	<b>TEF20, TO35, FE35 (w/ 20C, 23C Engine)</b>



## Sparex Replacement Spare Parts - Ferguson

### Valve Train and Related Components

Standard Motors Diesel

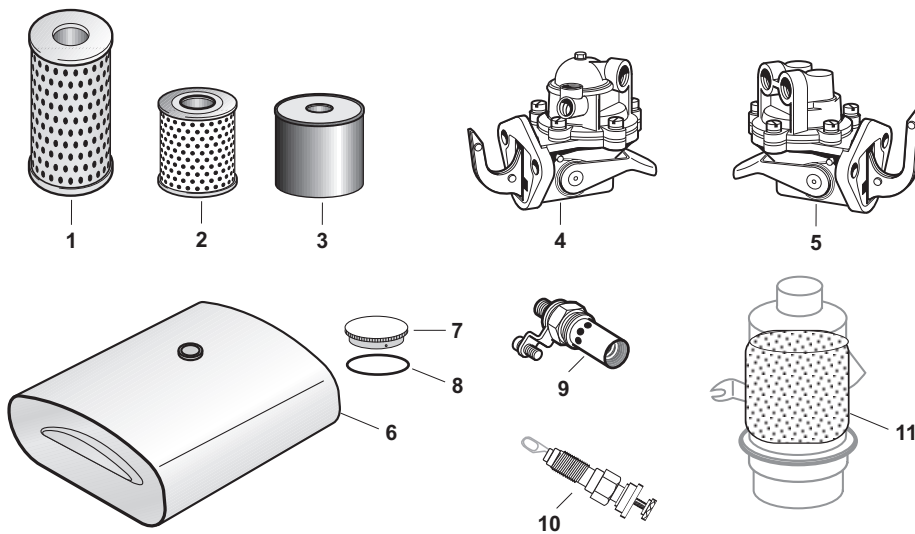


SPAREX No.	DESCRIPTION	EQUIVALENT	TRACTOR MODEL
1	<b>S.40473</b> Intake Valve	101661	<b>TEF20</b> (w/ 20C Engine)
1	<b>S.40474</b> Intake Valve	1884123M1	<b>TO35, FE35</b> (w/ 23C Engine)
2	<b>S.40483</b> Exhaust Valve	110926	<b>TEF20</b> (w/ 20C Engine)
2	<b>S.40484</b> Exhaust Valve	1884124M1	<b>TO35, FE35</b> (w/ 23C Engine)
3	<b>S.60193</b> Valve Guide - Intake	825259M1	<b>TO35, FE35</b> (w/ 23C Engine)
3	<b>S.60194</b> Valve Guide - Exhaust	826162M1	<b>TO35, FE35</b> (w/ 23C Engine)
4	<b>S.40503</b> Valve Spring - Outer	103368	<b>TEF20</b> (w/ 20C Engine)
4	<b>S.40504</b> Valve Spring - Outer	1884125M1	<b>TO35, FE35</b> (w/ 23C Engine)
5	<b>S.40498</b> Valve Spring - Inner	103369	<b>TEF20</b> (w/ 20C Engine)
5	<b>S.40499</b> Valve Spring - Inner	1884126M1	<b>TO35, FE35</b> (w/ 23C Engine)
6	<b>S.41946</b> Valve Train Kit - Contains: Intake & Exhaust Valves, Inner & Outer Springs		<b>TO35, FE35</b> (w/ 23C Engine)



## Sparex Replacement Spare Parts - Ferguson

Engine Oil Filters,  
Lift Pumps, Gas Tank  
and Related  
Components  
Standard Motors Diesel

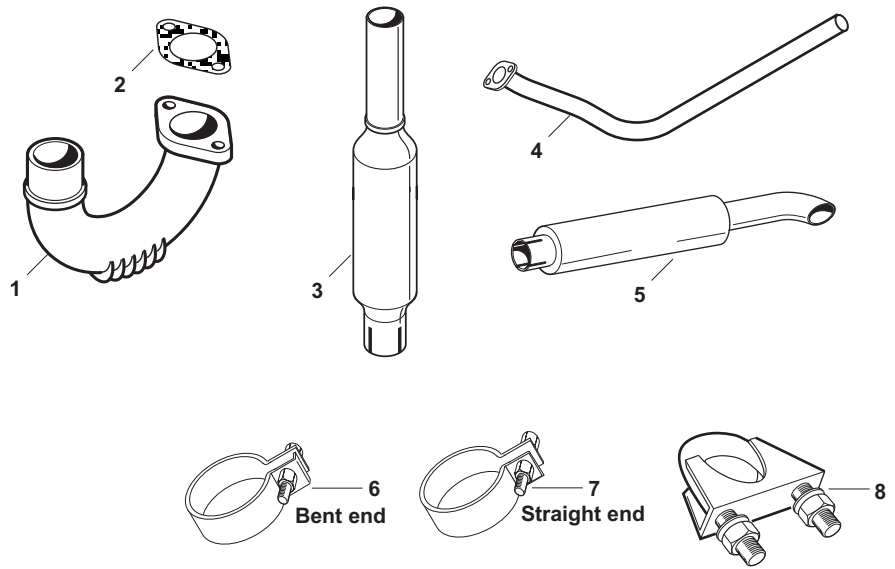


SPAREX No.	DESCRIPTION	EQUIVALENT	TRACTOR MODEL
1	<b>S.61489</b> Engine Oil Filter Element	826137M91	<b>TEF20, TO35, FE35</b> (w/ 20C, 23C Engine)
1	<b>S.57751</b> Engine Oil Filter Element - Economy	826137M91	<b>TEF20, TO35, FE35</b> (w/ 20C, 23C Engine)
2	<b>S.40540</b> Fuel Filter	500764	<b>(TEF20</b> w/ 20C Engine - Primary & Secondary ->SN 336104), <b>(TO35, FE35</b> w/ 23C Engine - Primary)
3	<b>S.40541</b> Fuel Filter	1850450M1	<b>(TEF20</b> w/ 20C Engine - SN 336104-->), <b>(TO35, FE35</b> w/ 23C Engine - Secondary)
4	<b>S.43390</b> Lift Pump - May need to rotate Top Housing to line up fittings	826154M91	<b>(TEF20</b> w/ 20C Engine - Early Production), <b>(TO35, FE35</b> w/ 23C Engine ->SN SJ37180E)
5	<b>S.40557</b> Lift Pump	18848574M91	<b>(TEF20</b> w/ 20C Engine - Late Production), <b>(TO35, FE35</b> w/ 23C Engine SN SJ37180E->)
6	<b>S.42856</b> Fuel Tank	2515	<b>(TEF20</b> w/ 20C Engine)
7	<b>S.42569</b> Fuel Cap - Threaded - Aluminium	1897	<b>(TEF20</b> w/ 20C Engine)
7	<b>S.58926</b> Fuel Cap w/ Chain - Brass		<b>(TEF20</b> w/ 20C Engine)
8	<b>S.10389</b> O-Ring - Fuel Cap S.42569		<b>(TEF20</b> w/ 20C Engine)
9	<b>S.41322</b> Heater Plug - Fuel	1021910M91	<b>(TO35</b> w/ 23C Engine ->SN 188851)
10	<b>S.61336</b> Glow Plug	829162M1	<b>(TO35</b> SN 188851->), <b>(FE35</b> w/ 20C Engine)
11	<b>S.43231</b> Air Cleaner Filler - Steel Wool (1 Bag = 4 1/2 x 4")		

## Sparex Replacement Spare Parts - Ferguson

### Exhaust System and Related Components

Standard Motors Diesel



SPAREX No.	DESCRIPTION	EQUIVALENT	TRACTOR MODEL
1	S.15804 Elbow - Vertical Exhaust (2 Hole)	824245M1	TEF20, TO35, FE35 (w/ 20C, 23C Engine)
2	S.40644 Gasket - Elbow/Pipe to Manifold	825003M1	TEF20, TO35, FE35 (w/ 20C, 23C Engine)
3	S.06301 Muffler - Vertical	894297M1	TEF20, TO35, FE35 (w/ 20C, 23C Engine)
4	S.42512 Exhaust Pipe - Horizontal	826990M91	TEF20, TO35, FE35 (w/ 20C, 23C Engine)
5	S.06300 Muffler - Horizontal	890476M91	TEF20, TO35, FE35 (w/ 20C, 23C Engine)
6	S.31115 Muffler Clamp - Zinc Plated (1 15/16"Ø)		
6	S.31117 Muffler Clamp - Zinc Plated (2 1/2"Ø)		
7	S.31116 Muffler Clamp - Zinc Plated (2"Ø) Like Original		
8	S.08872 Muffler Clamps (1 1/8")		
8	S.08873 Muffler Clamps (1 1/4")		
8	S.08874 Muffler Clamps (1 3/8")		
8	S.08875 Muffler Clamps (1 1/2")		
8	S.08876 Muffler Clamps (1 5/8")		
8	S.08877 Muffler Clamps (1 11/16")		
8	S.08878 Muffler Clamps (1 3/4")		
8	S.08879 Muffler Clamps (1 7/8")		
8	S.08880 Muffler Clamps (2")		
8	S.06314 Muffler Clamps (2 1/8")		
8	S.06315 Muffler Clamps (2 1/4")		
8	S.08881 Muffler Clamps (2 3/8")		
8	S.08882 Muffler Clamps (2 1/2")		
8	S.08883 Muffler Clamps (2 5/8")		