

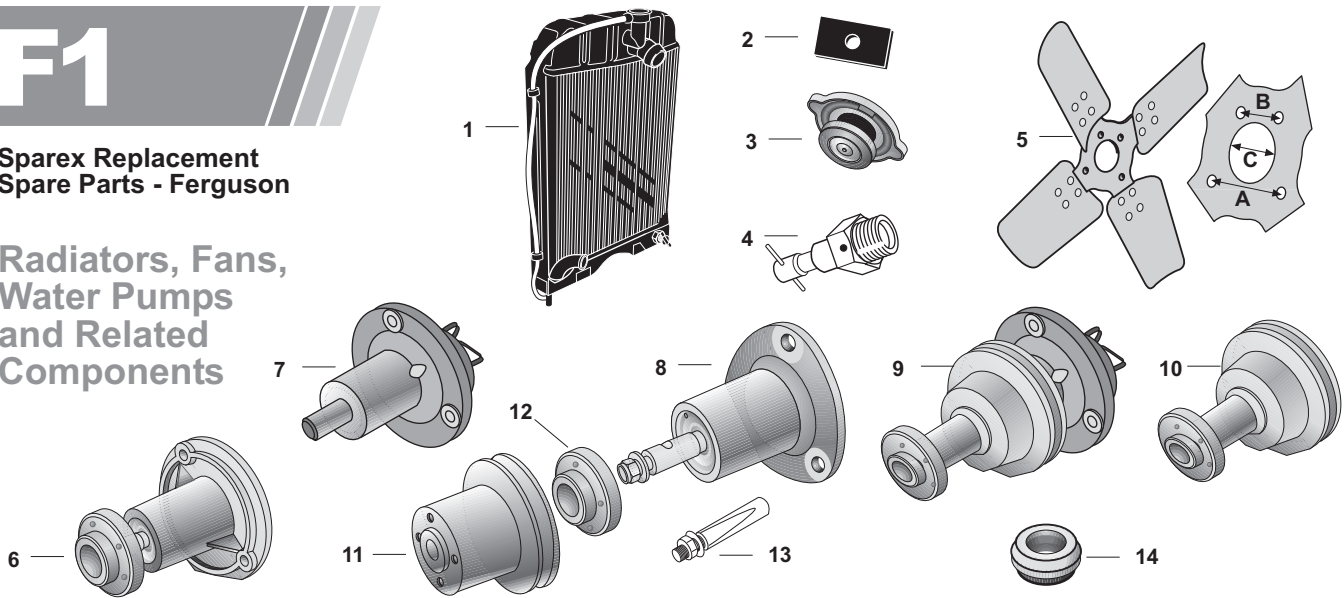
Page No.

- 1 — Radiators, Fans, Water Pumps
and Related Components**
- 2 — Hoses**
- 3 — Thermostats, Fan Belts, Heaters
and Related Components**

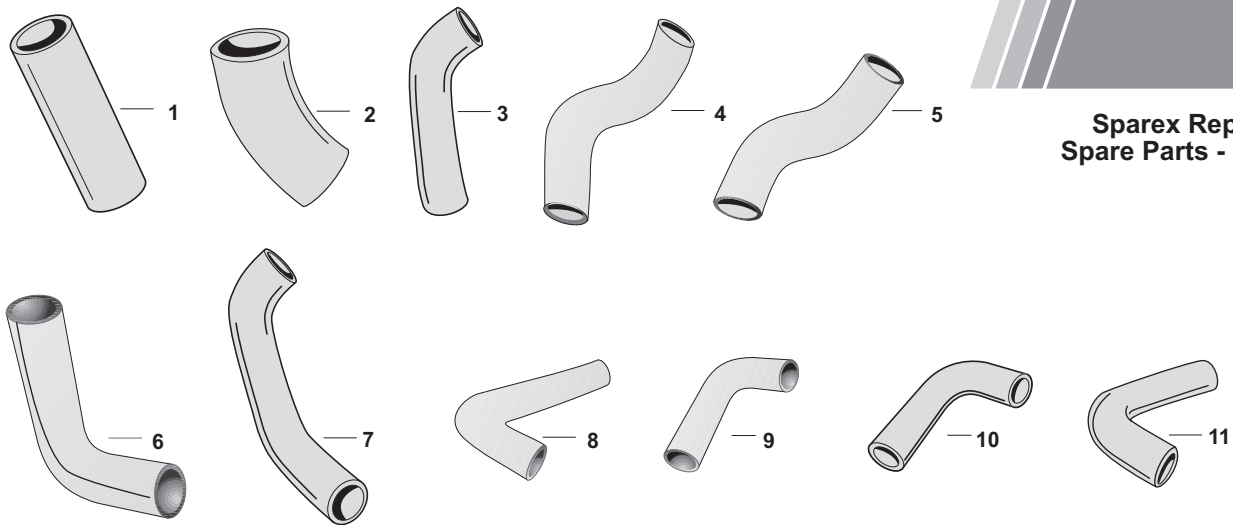
Cooling System and Related Components

Sparex Replacement Spare Parts - Ferguson

Radiators, Fans, Water Pumps and Related Components



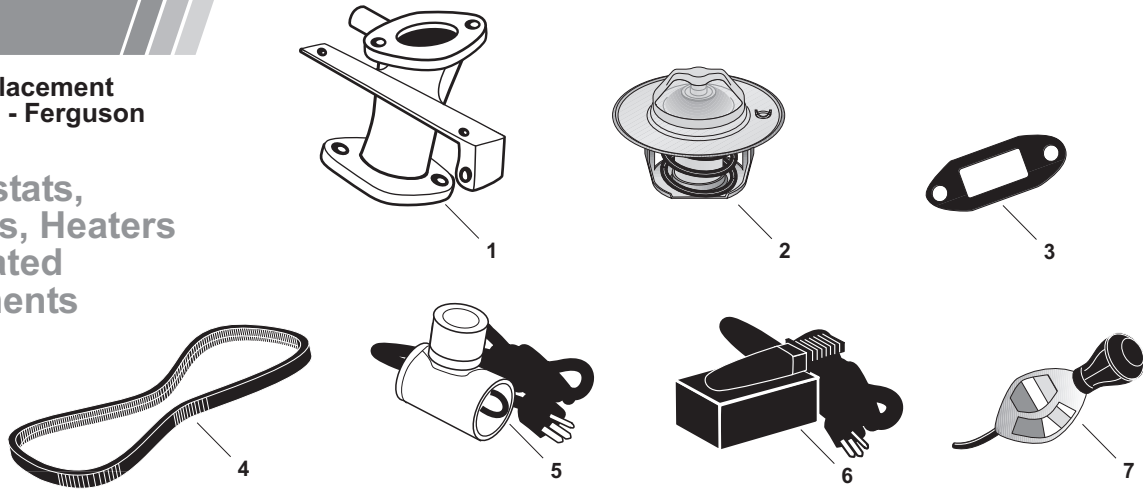
	SPAREX No.	DESCRIPTION	EQUIVALENT	TRACTOR MODEL
1	S.60132	Radiator	181623M1	(TE20, TO20, TO30, TO35 Continental Z120, Z129, Z134)
1	S.42410	Radiator	9585	(TEA20 Standard Motors 80, 85mm Gas)
1	S.42412	Radiator	894319M91	(FE35 Standard Motors 87mm Gas)
2	S.42731	Radiator Mounting Pad	180705M1	TE20, TEA20, TO20, TO30, TO35, FE35
3	S.41517	Radiator Cap	180224M91	(TO20, TO30, TO35, F40 w/ Continental Engines)
3	S.08452	Radiator Cap	825702M2	(TEA20, TEF20 Standard Motors 80, 85mm Gas)
4	S.08440	Drain Tap	1851095M2	TE20, TEA20, TEF20, TO20, TO30, TO35, FE35, F40
5	S.60462	Fan - Trapezoidal Bolt Pattern (15 1/2" Dia, A=1 1/2", B=1 1/4", C=1 1/16", 5/16" Holes)	825181M91	(TEA20 Standard Motors 80, 85mm Gas), (TO35 Standard Motors 23C Diesel), (FE35 Standard Motors 87mm Gas, 23C Diesel)
6	S.60125	Water Pump & Hub w/ Gasket	830862M91	(TE20, TO20, TO30 Continental Z120, Z129)
7	S.60099	Water Pump w/ Gasket	830691M91	(TO35, F40 Continental Z134)
8	S.40034	Water Pump w/ Gasket	1885489M92	(TEA20 Standard Motors 80, 85mm Gas), (TEF20 Standard Motors 20C Diesel), (FE35 Standard Motors 85, 87mm Gas, 23C Diesel), (TO35 Standard Motors 23C Diesel)
9	S.48076	Water Pump w/ Pulley & Gasket (Assembled)	830691M91 1750081M1	(TO35 Continental Z134)
10	S.60047	Water Pump Pulley	1750081M91	(TO35 Continental Z134)
11	S.42743	Water Pump Pulley	825378M91	(TEA20 Standard Motors 80, 85mm Gas), (FE35 Standard Motors 87mm Gas)
12	S.42742	Hub - Water Pump	825377M1	(TEA20 Standard Motors 80, 85mm Gas), (TEF20 Standard Motors 20C Diesel), (FE35 Standard Motors 87mm Gas, 23C Diesel), (TO35 Standard Motors 23C Diesel)
13	S.43068	Cotter w/ Nut	825380M1	Same as Above
14	S.40075	Seal - Water Pump	825374M1 1446130M1	(TEA20 Standard Motors 80, 85mm Gas), (FE35 Standard Motors 87mm Gas, 23C Diesel), (TO35 Standard Motors 23C Diesel)



SPAREX No.	DESCRIPTION	EQUIVALENT	TRACTOR MODEL
1	S.60517 Top Hose (8 5/8" Long) Cut to length	180085M1 182345M1 826775M1	(TE20, TO20 Continental Z120), (TEF20 Std Motors 20C Diesel), (TO30 Continental Z129), Gas), (TO35 Continental Z134), (FE35, TO35 Std Motors 23C Diesel ->SN 7704), (F40 Continental Z134)
1	S.40014 Top Hose		(TEA20 Standard Motors 80, 85mm Engine)
2	S.40015 Top Hose	827496M1	(FE35, TO35 Standard Motors 23C Diesel SN 7704->)
3	S.60522 Bottom Hose	180145M1	(TE20, TO20 Continental Z120), (TO30 Continental Z129)
4	S.60529 Bottom Hose	180783M1	(TO35 Continental Z134)
5	S.41316 Bottom Hose	825657M1	(TEA20 Standard Motors 80, 85mm Gas)
6	S.40023 Bottom Hose	2413	(TEF20 Standard Motors 20C Diesel)
7	S.40024 Bottom Hose	826988M1	(FE35, TO35 Standard Motors 23 Diesel)
8	S.41317 By-Pass Hose	825684M1	(TEA20 Standard Motors 80, 85mm Gas)
9	S.40080 By-Pass Hose	60582	(TEF20 Standard Motors 20C Diesel)
10	S.40081 By-Pass Hose	826199M1	(FE35, TO35 Standard Motors 23C Diesel)
11	S.41528 By-Pass Hose	826257M1	(FE35 Standard Motors 87mm Gas)

Sparex Replacement Spare Parts - Ferguson

Thermostats, Fan Belts, Heaters and Related Components



	SPAREX No.	DESCRIPTION	EQUIVALENT	TRACTOR MODEL
1	S.42732	Thermostat Housing	200781	(TEA20 Standard Motors 85mm Gas SN 112391E->)
1	S.42948	Thermostat Housing	200480	(TEF20 Standard Motors 20C Diesel)
2	S.40085	Thermostat (180°)	1446165M91 2485666	(TEA20 Standard Motors 80, 85mm Gas), (TEF20 Standard Motors 20C Diesel)
3	S.42719	Gasket - Thermostat Housing	1811528M1	(TE20, TO20, TO30, TO35, F40 w/ Continental Engines)
4	S.40088	Fan Belt	641696M1 629004M1	(TEA20 Standard Motors 80, 85mm Gas), (FE35 Standard Motors 87mm Gas)
4	S.40089	Fan Belt	826960M1	(TEF20 Standard Motors 20C Diesel), (FE35 Standard Motors 23C Diesel)
4	S.18675	Fan Belt	509572M1	(TO35 Continental Z134), F40
5	S.07081	Lower Radiator Hose Heater (600 Watt - 1 1/4" ID Hose)		
5	S.07082	Lower Radiator Hose Heater (600 Watt - 1 1/2" ID Hose)		
6	S.07098	Magnetic Heater (8 sq in)		
6	S.07099	Magnetic Heater (20 sq in)		
7	S.20560	Antifreeze Tester - Indicates F° and C° Scales		