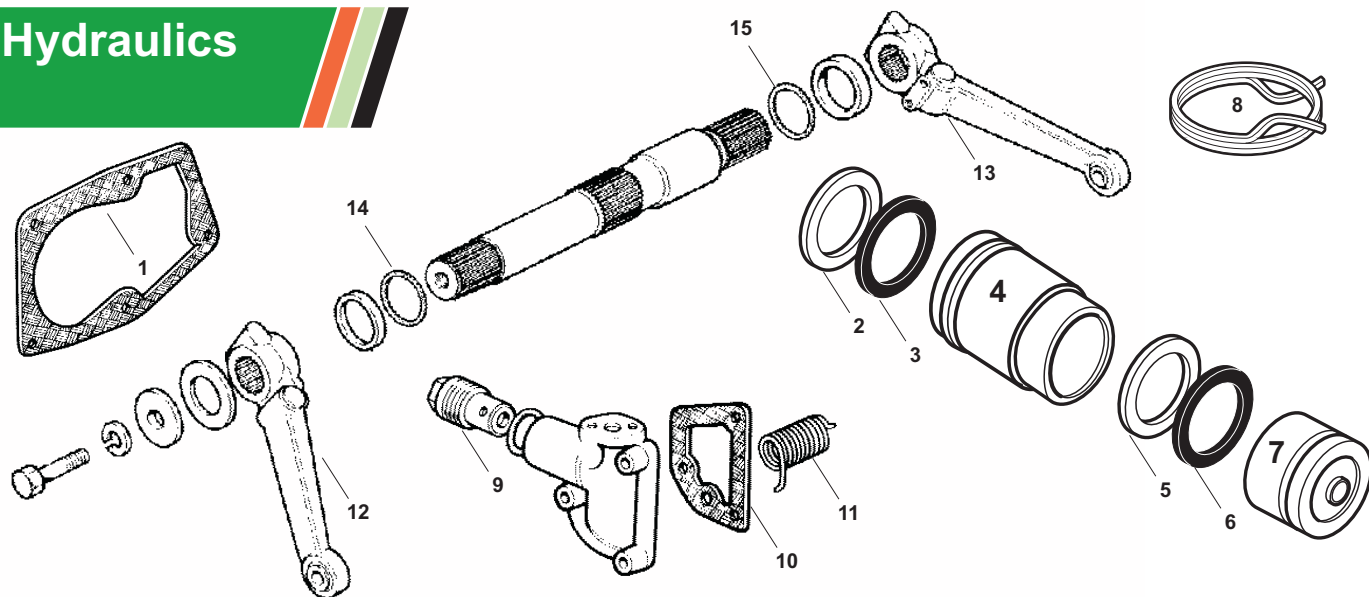


Hydraulics

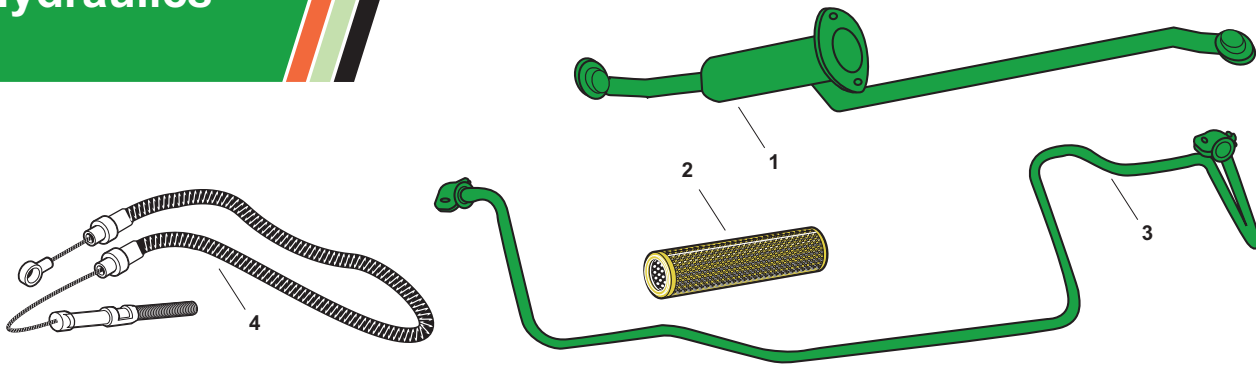


OUR #	DESCRIPTION	EQUIVALENT	TRACTOR MODEL
1	R62438 Gasket, Control Valve Cover	675698A	1255, 1265, 1270, 1355, 1365, 1370, 1465, 1470, 2-50, 2-60
2	R62439 Back-up Ring (Front)	677458A	1255, 1265, 1270, 12-50
2	R62440 Back-up Ring (Front)	675682A	1355, 1365, 1370, 1465, 1470, 2-60
3	R06797 O-Ring Cylinder (Front)	677456A 30-3050777	1255, 1265, 1270, 2-50
3	R62442 O-Ring Cylinder (Front)	675680A 31-2901373	1355, 1365, 1370, 1465, 1470, 2-60
4	R59124 Lift Cylinder	31-2902260 30-3013014	1355, 1365, 1370, 2-60
5	R06798 O-Ring Cylinder (Rear)	677450A	1255, 1265, 1270, 2-50,
5	R04431 O-Ring Cylinder (Rear)	30-3013057	1355, 1365, 1370, 1465, 1470, 2-60
6	R62441 Back-up Ring (Rear)	677457A	1255, 1265, 1270, 2-50
6	R62443 Back-up ring (Rear)	30-3013065	1355, 1365, 1370, 1465, 1470, 2-60
7	R59126 Piston	31-2902261	1365, 1370, 2-60
8	R62223 Lift Control Spring	672628A	1255, 1265, 1270, 1355, 1365, 1370, 1470, 1465, 1470, 2-50, 2-60
9	Valve, Relief	671126AS	1255, 1265, 1270, 1355, 1365, 1370, 1470, 1465, 1470, 2-50, 2-60
10	Gasket	677459A	1255, 1265, 1270, 1355, 1365, 1370, 1470, 1465, 1470, 2-50, 2-60
11	Spring	670103A	1255, 1265, 1270, 1355, 1365, 1370, 1470, 1465, 1470, 2-50, 2-60
12	Arm, Lift LH	677453A	1355, 1365, 1370
12	Arm, Lift LH	31-2902157	2-60
13	Arm, Lift RH	676086A	1355, 1365, 1370
13	Arm, Lift RH	31-2902158	2-60
14	O-Ring	670664A	1355, 1365, 1370
15	O-Ring	670918A	1355, 1365, 1370

We have attempted to insure the accuracy of the information listed and reserve the right for type error.

Some part numbers and manufactures' names are used strictly for reference purpose only
Any prices listed are subject to change without notice and are in U.S. dollars. Not all items are stocking items.

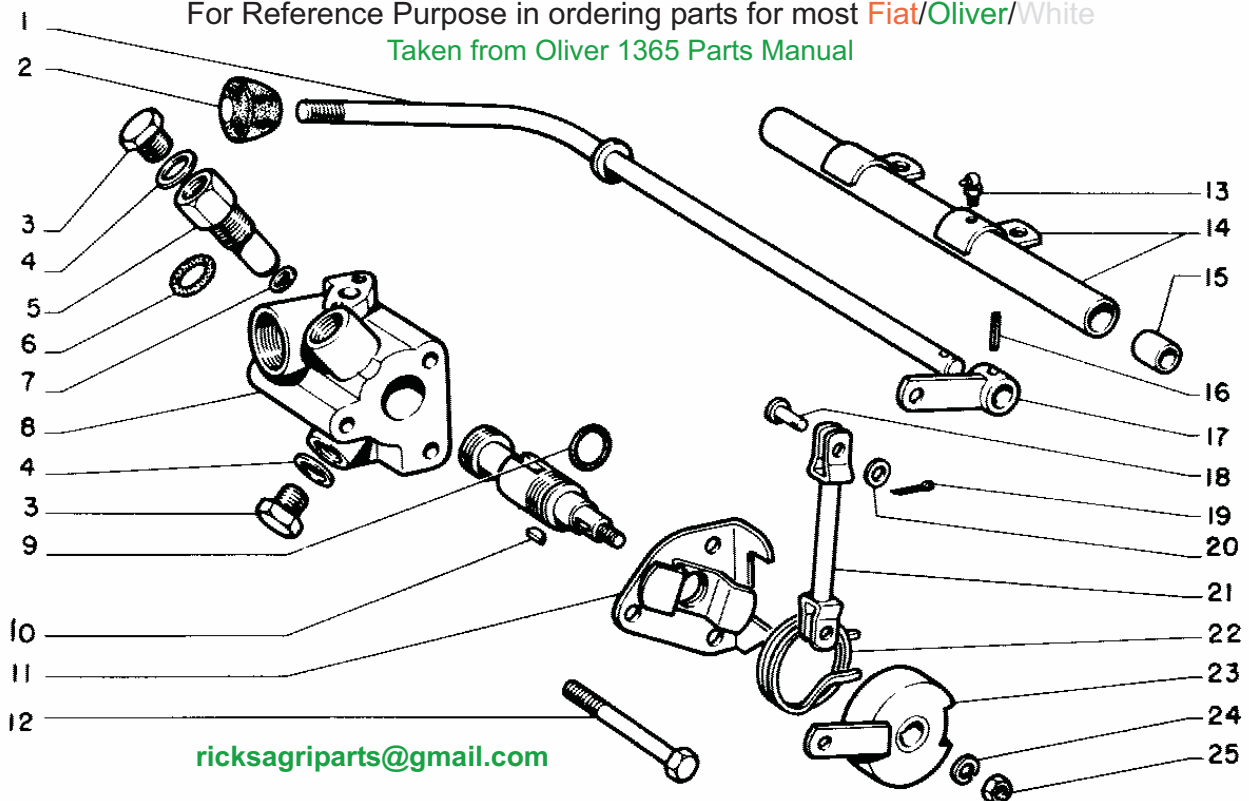
Hydraulics



OUR #	DESCRIPTION	EQUIVALENT	TRACTOR MODEL
1	R61989 Hydraulic Tube (Suction)	31-2900490	(1365, 1370 SN 721488> 8 Speed), 2-60 8 Speed
2	R62224 Filter	677416A	1255, 1265, 1270, 1355, 1365, 1370, 2-50, 2-60
2	Filter	30-3014053	1465, 1470
3	R61986 Hydraulic Tube (Pressure)	31-2902254	(1365, 1370 SN 721488> 8 Speed), 2-60 8 Speed
4	R62221 Control Cable	31-2904434	700

Add-On Remote Unit Breakdown

For Reference Purpose in ordering parts for most Fiat/Oliver/White
 Taken from Oliver 1365 Parts Manual



ricksagriparts@gmail.com

Hydraulics

WARNING

**Check
DIRECTION
of ROTATION.**

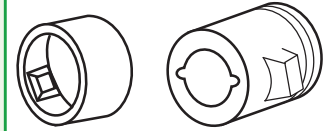
**Warranty
Void if
Improperly
Installed!**

Hydraulic Pump Seal & O-Ring Kit



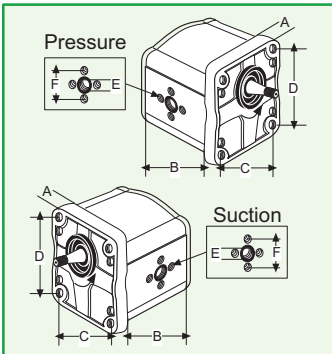
R14642
30-3002659
Fits Original Pump Only!
**1255, 1265, 1270, 1355,
1365, 1370, 1465, 1470,
2-50, 2-60, 700**

Pump Drive Coupler



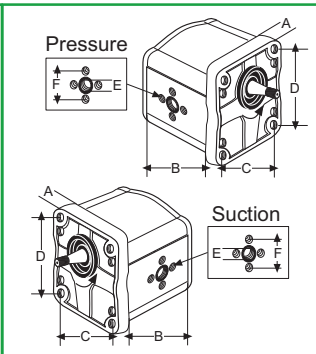
R62484 **R62485**
30-3033414 30-3042685

**1255, 1265, 1270, 1355,
1365, 1370, 2-50, 2-60, 700**



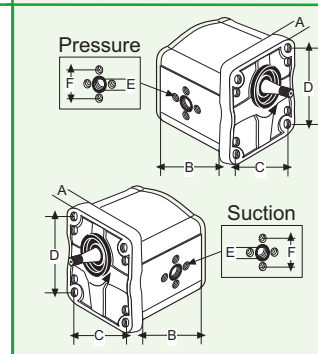
R62213

A= 19mm / .75"
B= 58mm / 2.28"
C= 70.98mm / 2.79"
D= 95.81mm / 3.77"
Suction Side:
E= 19mm / .75"
F= 40.5mm / 1.59"
Bolt Holes= 8mm x 1.25 Thread
Pressure Side:
E= 14.26mm / .255"
F= 30.70mm / 1.20"
Bolt Holes= 6mm x 1.20 Thread
Gal. per min (Approx)= 5.5
Liters per min.= 25
Counter Clockwise Rotation



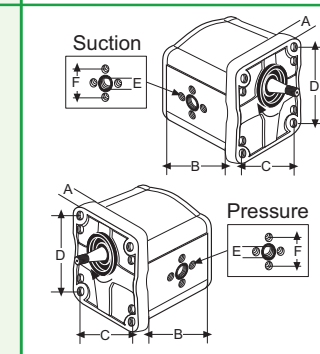
R62214

A= 19mm / .75"
B= 67.66mm / 2.66"
C= 70.98mm / 2.79"
D= 95.81mm / 3.77"
Suction Side:
E= 19mm / .75"
F= 40.5mm / 1.59"
Bolt Holes= 8mm x 1.25 Thread
Pressure Side:
E= 14.26mm / .255"
F= 30.70mm / 1.20"
Bolt Holes= 6mm x 1.20 Thread
Gal. per min (Approx)= 6.8
Liters per minute= 31
Counter Clockwise Rotation



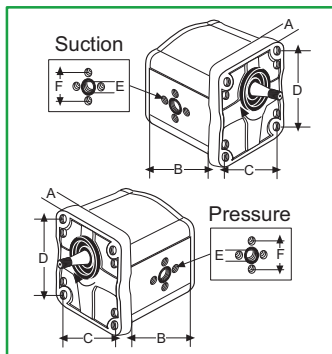
R62215

A= 19mm / .75"
B= 64.02mm / 2.52"
C= 70.98mm / 2.79"
D= 95.81mm / 3.77"
Suction Side:
E= 19mm / .75"
F= 40.5mm / 1.59"
Bolt Holes= 8mm x 1.25 Thread
Pressure Side:
E= 14.26mm / .255"
F= 30.70mm / 1.20"
Bolt Holes= 6mm x 1.20 Thread
Gal. per min (Approx)= 9.2
Liters per minute= 42
Counter Clockwise Rotation



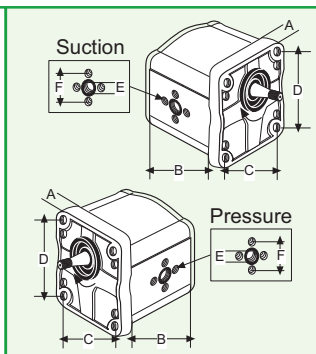
R62216

A= 19mm / .75"
B= 40.01mm / 1.85"
C= 70.98mm / 2.79"
D= 95.81mm / 3.77"
Pressure Side:
E= 12.70mm / .50"
F= 30.70mm / 1.20"
Bolt Holes= 6mm x 1.0 Thread
Suction Side:
E= 12.70mm / .50"
F= 30.70mm / 1.20"
Bolt Holes= 6mm x 1.0 Thread
Gal. per min (Approx)= 4.0
Liters per minute= 18
Clockwise Rotation



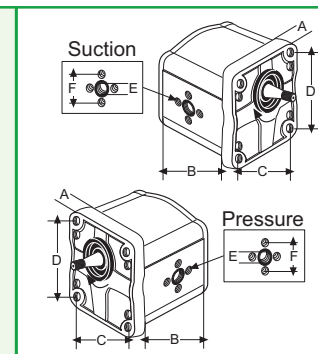
R62217

A= 19mm / .75"
B= 58mm / 2.28"
C= 70.98mm / 2.79"
D= 95.81mm / 3.77"
Pressure Side:
E= 14.21mm / .55"
F= 30.70mm / 1.20"
Bolt Holes= 6mm x 1.0 Thread
Suction Side:
E= 19mm / .75"
F= 40.50mm / 1.59"
Bolt Holes= 6mm x 1.0 Thread
Gal. per min (Approx)= 5.5
Liters per minute= 25
Clockwise Rotation



R62218

A= 19mm / .75"
B= 58mm / 2.28"
C= 70.98mm / 2.79"
D= 95.81mm / 3.77"
Pressure Side:
E= 14.21mm / .55"
F= 30.70mm / 1.20"
Bolt Holes= 6mm x 1.0 Thread
Suction Side:
E= 19mm / .75"
F= 40.50mm / 1.59"
Bolt Holes= 8mm x 1.25 Thread
Gal. per min (Approx)= 7.3
Liters per minute= 33
Clockwise Rotation



R62219

A= 19mm / .75"
B= 64.68mm / 2.54"
C= 70.98mm / 2.79"
D= 95.81mm / 3.77"
Pressure Side:
E= 14.21mm / .55"
F= 30.70mm / 1.20"
Bolt Holes= 6mm x 1.0 Thread
Suction Side:
E= 19mm / .75"
F= 40.50mm / 1.59"
Bolt Holes= 8mm x 1.25 Thread
Gal. per min (Approx)= 9.2
Liters per minute= 42
Clockwise Rotation

We have attempted to insure the accuracy of the information listed and reserve the right for type error.

Some part numbers and manufactures' names are used strictly for reference purpose only
Any prices listed are subject to change without notice and are in U.S. dollars. Not all items are stocking items.