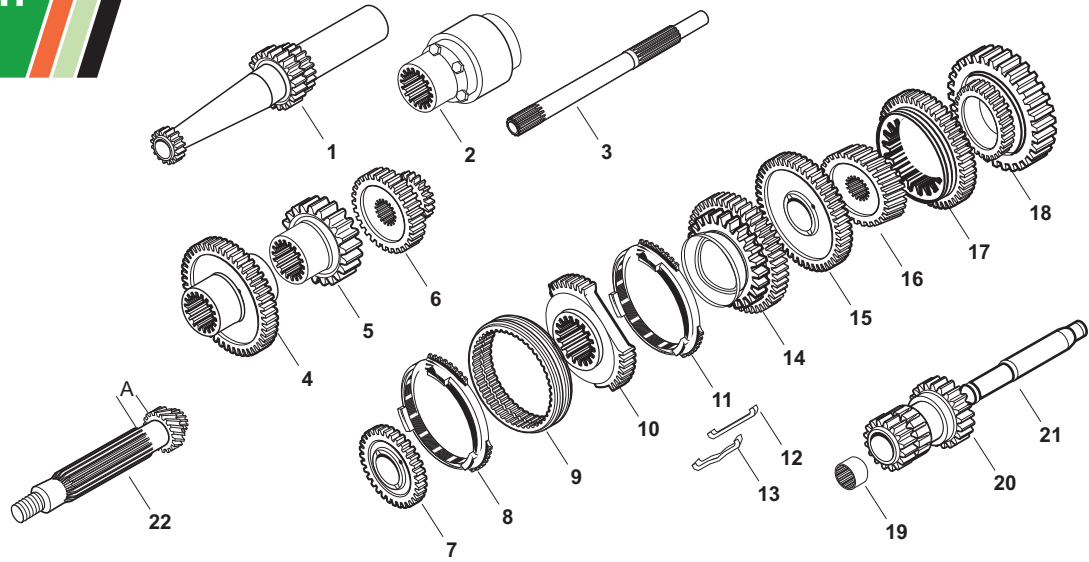


Transmission and PTO

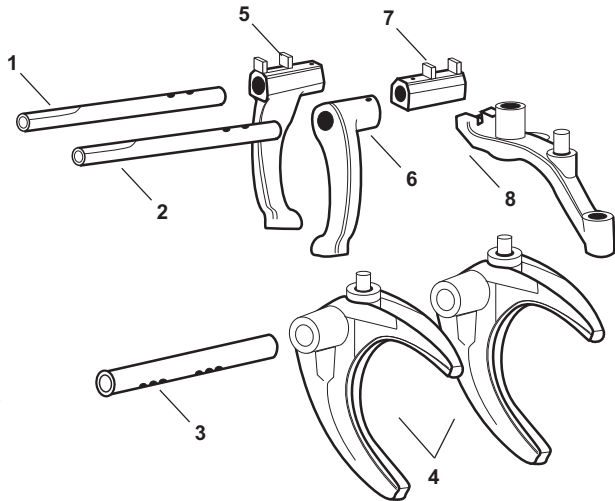
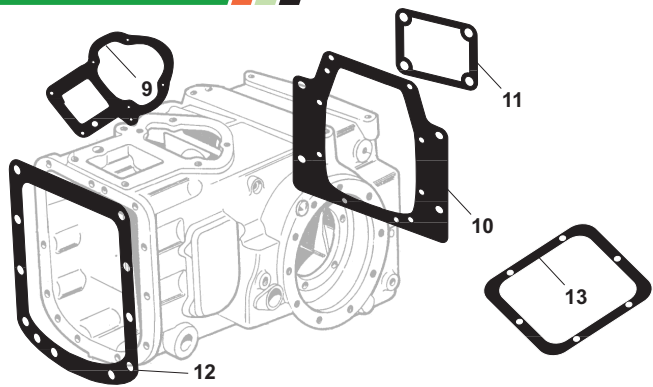


OUR #	DESCRIPTION	EQUIVALENT	TRACTOR MODEL
1	R49995 Propeller Shaft	672538A	1250 Diesel, 1250A, 1255, 1265, 1270
2	R49994 Coupler	670606AS	1250 Diesel, 1250A, 1255, 1265, 1270
3	R62551 Input Shaft	30-3011690 31-2902580	1365, 1370, 2-50, 2-60
4	R62554 4th Gear	30-3011747	1355, 1365, 1370, 2-50, 2-60
5	R59099 3rd Gear	30-3011739	1355, 1365, 1370, 2-50, 2-60
6	R62556 1st & 2nd Gear	30-3011720	1355, 1365, 1370, 2-50, 2-60
7	R62557 4th Gear	30-3011798	1355, 1365, 1370, 2-50, 2-60
8	R62558 Synchronizer	3672737A	1250, 1250A, 1255, 1265, 1270, 1355, 1365, 1370
9	R62559 Sleeve Ring	672736A	1250, 1250A, 1255, 1265, 1270, 1355, 1365, 1370 2-50, 2-60 (700 8 Speed)
10	R59100 Sleeve	30-3011550	1355, 1365, 1370, 2-50, 2-60 (700 8 Speed)
11	R62558 Synchronizer	672737A	1250, 1250A, 1255, 1265, 1270, 1355, 1365, 1370, 2-50, 2-60, 700
12	R62560 Synchronizer Clip	672735A	1250, 1250A, 1255, 1265, 1270, 1355, 1365, 1370, 2-50, 2-60, (700 8 Speed)
13	R62561 Synchronizer Cup	672738A	1250, 1250A, 1255, 1265, 1270, 1355, 1365, 1370, 2-50, 2-60, (700 8 Speed)
14	R62562 3rd Gear	30-3011542	1355, 1365, 1370, 2-50, 2-60
15	R62563 2nd Gear	30-3011763	1355, 1365, 1370, 2-50, 2-60
16	R49998 Sleeve - Gear	30-3011542	1355, 1365, 1370, 2-50, 2-60
17	R62564 Gear	30-3011569	1355, 1365, 1370, 2-50, 2-60
18	R62554 1st Gear	30-3011755	1355, 1365, 1370, 2-50, 2-60
19	R61945 Needle Bearing	30-3011658	1355, 1365, 1370, 2-50, 2-60, 700
20	R62566 Reverse Idler Gear	30-3011801	1355, 1365, 1370, 2-50, 2-60
21	R61942 Reverse Idler Shaft	30-3011704	1355, 1365, 1370, 2-50, 2-60
22	R58922 Counter Shaft (A = 3/4")	31-2901971	1355, 1365, 1370, 2-50, (2-60 8 Speed SN 717567-795261)
22	R59102 Counter Shaft	31-2905297	(2-60 8 Speed SN 795262>)
22	R49999 Counter Shaft	31-2900211 31-2900212 677285A	1250A w/ Creeper, 1255, 1265, 1270

We have attempted to insure the accuracy of the information listed and reserve the right for type error.

Some part numbers and manufactures' names are used strictly for reference purpose only. Any prices listed are subject to change without notice and are in U.S. dollars. Not all items are stocking items.

Transmission and PTO

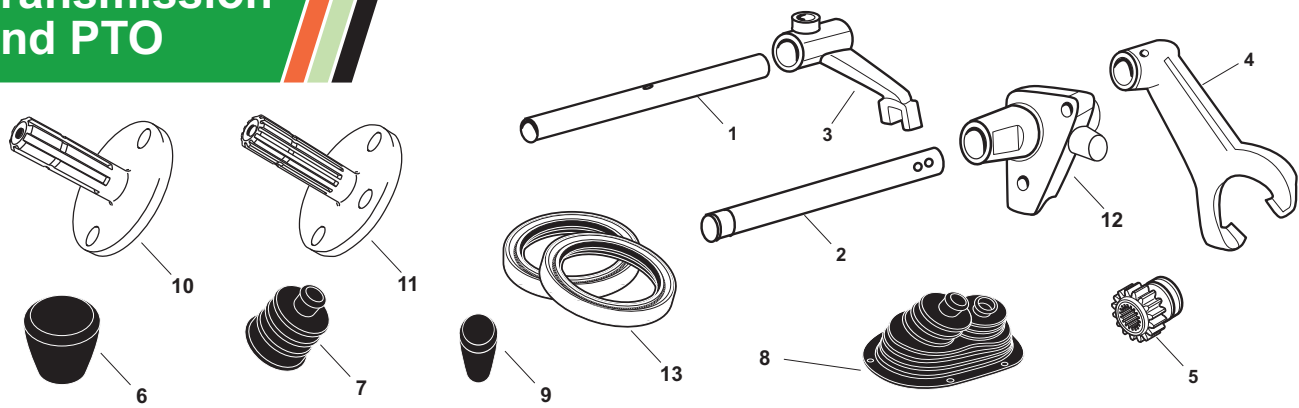


OUR #	DESCRIPTION	EQUIVALENT	TRACTOR MODEL	
1	R58907	Shift Rail	30-3012166	1355, 1365, 1370, 2-50, 2-60
2	R58908	Shift Rail	30-3012174	1355, 1365, 1370, 2-50, 2-60
3	R58909	Shift Rail	30-3012182	1355, 1365, 1370, 2-50, 2-60
4	R58916	Shifter Fork w/Dowel	30-3012069	1355, 1365, 1370, 2-50, 2-60
5	R58917	Shift Lever	30-3012131	1355, 1365, 1370, 2-50, 2-60
6	R58918	Shift Lever	30-3012158	1355, 1365, 1370, 2-50, 2-60
7	R58914	Shift Rail Dog	30-3012050	1355, 1365, 1370, 2-50, 2-60
8	R58915	Shift Lever w/ Dowel	30-3012077	1355, 1365, 1370, 2-50, 2-60
9	R58919	Gasket, Cover	677280A	1250A, 1255, 1265, 1355, 1365, 1370, 2-50, 2-60
10	R69862	Gasket, Rear	670510A	1250A, 1250, 1255, 1265, 1355, 1365, 1370, 2-50, 2-60
11	R58920	Gasket, Rear Cover	670275A 31-2902050	1250A, 1250, 1255, 1265, 1355, 1365, 1370, 2-50, 2-60
12	R62277	Gasket, Front	670919A	1250A, 1250, 1255, 1265, 1355, 1365, 1370, 2-50, 2-60
13	R62546	Gasket, Shift Cover	671029A	1250A, 1250, 1255, 1265, 1270, 1355, 1365, 1370, 2-50, 2-60

We have attempted to insure the accuracy of the information listed and reserve the right for type error.

Some part numbers and manufactures' names are used strictly for reference purpose only. Any prices listed are subject to change without notice and are in U.S. dollars. Not all items are stocking items.

Transmission and PTO



OUR #	DESCRIPTION	EQUIVALENT	TRACTOR MODEL
1	R58910 Rail, Reduction Gear Control	30-3012212	1355, 1365, 1370, 2-50, 2-60
2	R58911 Rail, Reduction Gear Control	30-3012220	1355, 1365, 1370, 2-50, 2-60
3	R58912 Fork, Reduction Gear Control	30-3012190	1355, 1365, 1370, 2-50, 2-60
4	R58913 Fork, Reduction Gear Control	670630A	1250, 1250A, 1255, 1265, 1270, 1355, 1365, 1370, 2-50, 2-60 (700 8 Speed)
5	R44980 Coupling Gear, Reduction	672605A	1250, 1250A, 1255, 1270, 1355, 1365, 1370, 2-50, 2-60
6	R62200 Knob, Shift	672665A	1250A, 1255, 1265, 1355, 1365, 1370
6	Knob, PTO Shift	30-3053997	1250A, 1255, 1265, 1355, 1365, 1370
7	R62201 Boot, Single Lever	31-2904793	700
8	R62202 Boot, Double Lever	31-2905042	700
9	Knob, PTO Disconnect	670204A	1250A, 1255, 1265, 1355, 1365, 1370
10	R17254 PTO Shaft (1 3/8" x 6 Spline)	31-2904345	700
11	R17397 PTO Shaft (1 3/8" x 21 Spline)	31-2905033	700
12	Support	30-3012204	1355, 1365, 1370, 2-50, 2-60
13	Seal, Rear PTO Shaft	672453A	1355, 1365, 1370, 2-50, 2-60