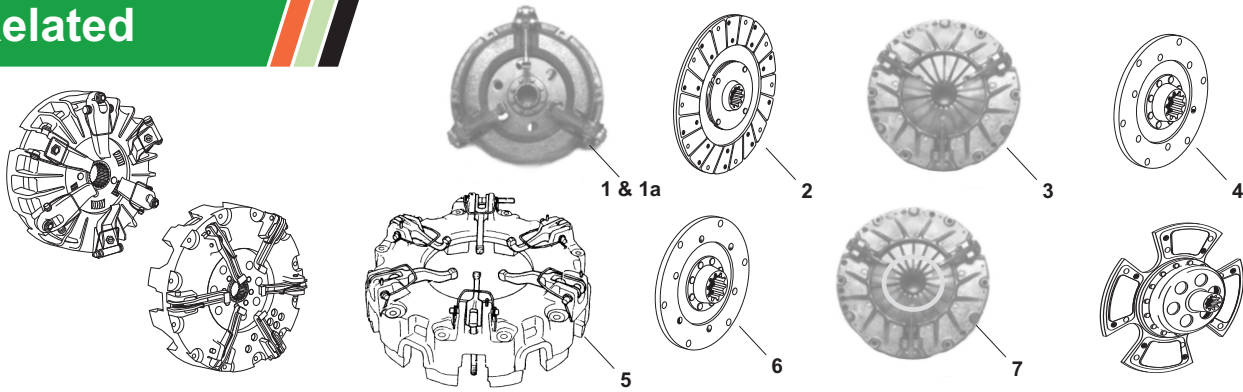
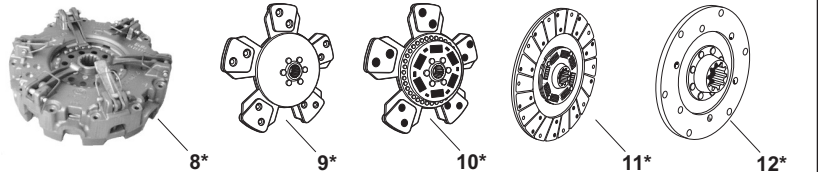


Clutch and Related



*The only difference between these Rep Sets is the captive main plate. Choosing your clutch will depend upon which plate you prefer.

Luk 12 bolt Rep Set is used to repair not only 12 Bolt Luk clutches but 9 Bolt Valeo style clutches as well.

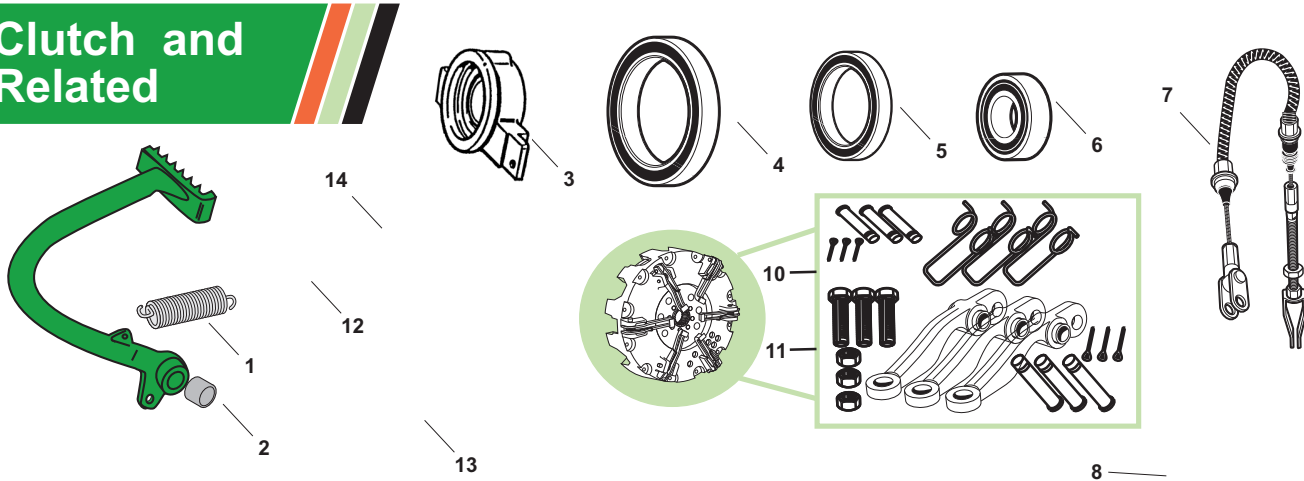


OUR #	DESCRIPTION	EQUIVALENT	TRACTOR MODEL
1	R58924 Clutch Assembly w/ PTO & Main Drive Discs (10")		1250A, 1255, 1265, 1270
1a	R66499 Cover Plate	677263A	1250A, 1255, 1265, 1270
2	R58925 Transmission Drive Disc (10", 1 9/16" x 19 Spline Hub 1 7/16" Long)	30-3052257 31-2902071 677260AS	1250A, 1255, 1265, 1270
3	R61932 Clutch Assembly - Diaphragm Type (11", 3 Lever)	30-3011259 30-3010945	1355, 1365, 1370
4	R61927 PTO Drive Disc (11", 31/32", 10 Spline)	30-3011402	1355, 1365, 1370
5	R58906 Dual Clutch Assembly (11", 6 Lever, 12 Bolt) 3 Straight & 3 90° Fingers	30-3040917 30-2906433 31-2900124	1355, 1365, 1370 (2-50, 2-60, 700) (Original used Cerametallic Drive Disc, R58906 is organic)
6	R61271 PTO Drive Disc (11", 1", 10 Spline)	30-3041174 31-2905375	1355, 1365, 1370, 2-50, 2-60, 700
7	R61214 Dual Clutch Rep Set - Valeo Type (12", 3 Lever)		1355, 1365, 1370 (Diaphragm w/ Ring)
8*	R61213 Dual Clutch Rep Set - Valeo Type (11", 6 Lever) (Includes 8*, 12*)		1355, 1365, 1370 (Includes both Throw-out Bearings & Hub)
9*	R61201 Dual Clutch Rep Set - Luk Type (11", 6 Finger, 12 Bolt) 5 Paddle, Rigid (Includes 8*, 9*, 12* Rep Sets)		1355, 1365, 1370
10*	R61266 Dual Clutch Rep Set - Luk Type (11", 6 Finger, 12 Bolt) 5 Paddle, Sprung (Includes 8*, 10*, 12* Rep Sets)		1355, 1365, 1370
11*	R61267 Dual Clutch Rep Set - Luk Type (11", 6 Finger, 12 Bolt) Organic, Sprung (Includes 8*, 11*, 12* Rep Sets)		1355, 1365, 1370
12*	R61235 PTO Drive Disc (11", 1", 10 Spline)	30-3011402	1355, 1365, 1370

We have attempted to insure the accuracy of the information listed and reserve the right for type error.

Some part numbers and manufactures' names are used strictly for reference purpose only. Any prices listed are subject to change without notice and are in U.S. dollars. Not all items are stocking items.

Clutch and Related



OUR #	DESCRIPTION	EQUIVALENT	TRACTOR MODEL
1	R61983 Spring - Clutch Pedal Return	670088A	1250, 1250A, 1255, 1265, 1270, 1355, 1365, 1370, 2-50, 2-60
2	R62402 Clutch Pedal Bushing	677338A	1250, 1250A, 1255, 1265, 1270, 1355, 1365, 1370, 2-50, 2-60
3	R61946 Sleeve - Release Bearing	30-3011089	1355 SN 503289>, 1365, 1370, 2-50, 2-60
4	R62171 Release Bearing	31-2902010	1255 SN 304967>
4	R58905 Release Bearing (Used w/ Clutch R61932)		1355, 1365, 1370, 2-60
5	R18046 PTO Release Bearing (6014 2RS)	31-2903777	700
6	R18118 Pilot Bearing (6303 ZZ)	676791A	1250A, 1255, 1265, 1270, 1355, 1365, 1370, 2-50, 2-60
6	R18134 Pilot Bearing (6304 2RS)	31-2900736	1465, 1470
6	R18133 Pilot Bearing (6303 2RS)	31-2905388	700
7	R62194 Clutch Cable	31-2905345 31-2905538	700
8	Finger, Clutch		
10	Finger Kit		
11	Finger Kit		
12	Shaft, Clutch Lever	30-3010929 72090948	1355, 1365, 1370, 2-50, 2-60
13	Screw, Clutch Shaft	670066A 31-2900103	1255, 1265, 1270, G350, 1355, 1365, 1370, 2-50, 2-60
14	Fork, Clutch Release	30-3010961	1355, 1365, 1370, 2-50, 2-60

We have attempted to insure the accuracy of the information listed and reserve the right for type error. Some part numbers and manufactures' names are used strictly for reference purpose only. Any prices listed are subject to change without notice and are in U.S. dollars. Not all items are stocking items.