

Page No.

- 1-3** — **Rear Differential and Related Components**
- 4-6** — **Rear Axle Housing and Related Components**
- 7** — **Rear Axle (Drum Brakes)**
- 8-10** — **Rear Axle (Disc Brakes)**
- 11** — **Differential Lock and Related Components**
- 12** — **Rear Rims and Related Components**

# MF8

Sparex Replacement  
Massey Ferguson Parts

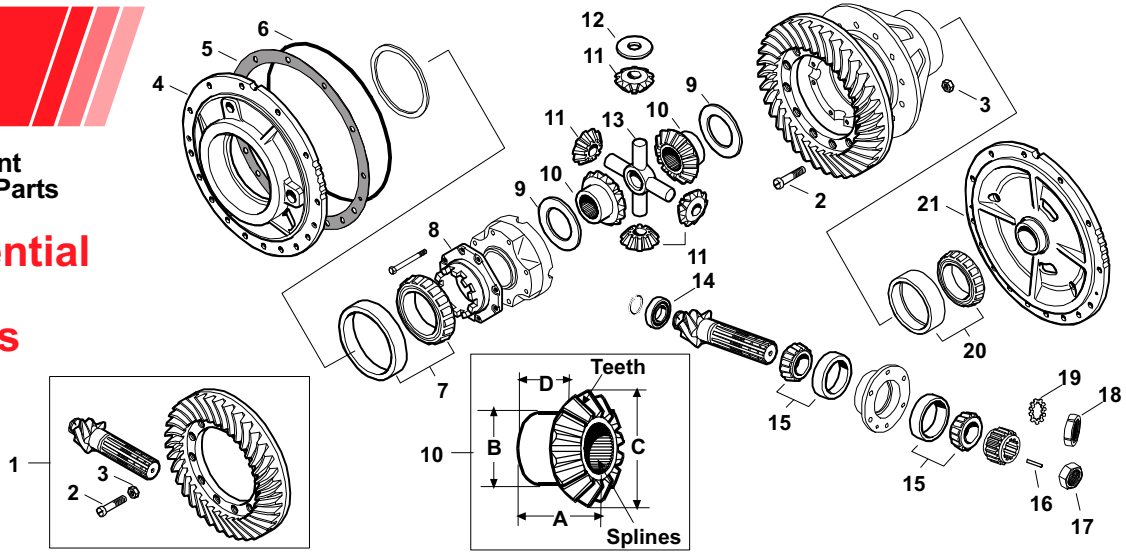
**Rear Axle,  
Differential  
and Related  
Components**

These parts are Sparex parts and are not manufactured by the Original Equipment Manufacturer. Original Manufacturers names, part numbers and descriptions are quoted for reference purposes only and are not intended to indicate that our replacement parts are made by the Original Equipment Manufacturer.

# MF8

Sparex Replacement  
Massey Ferguson Parts

## Rear Differential and Related Components



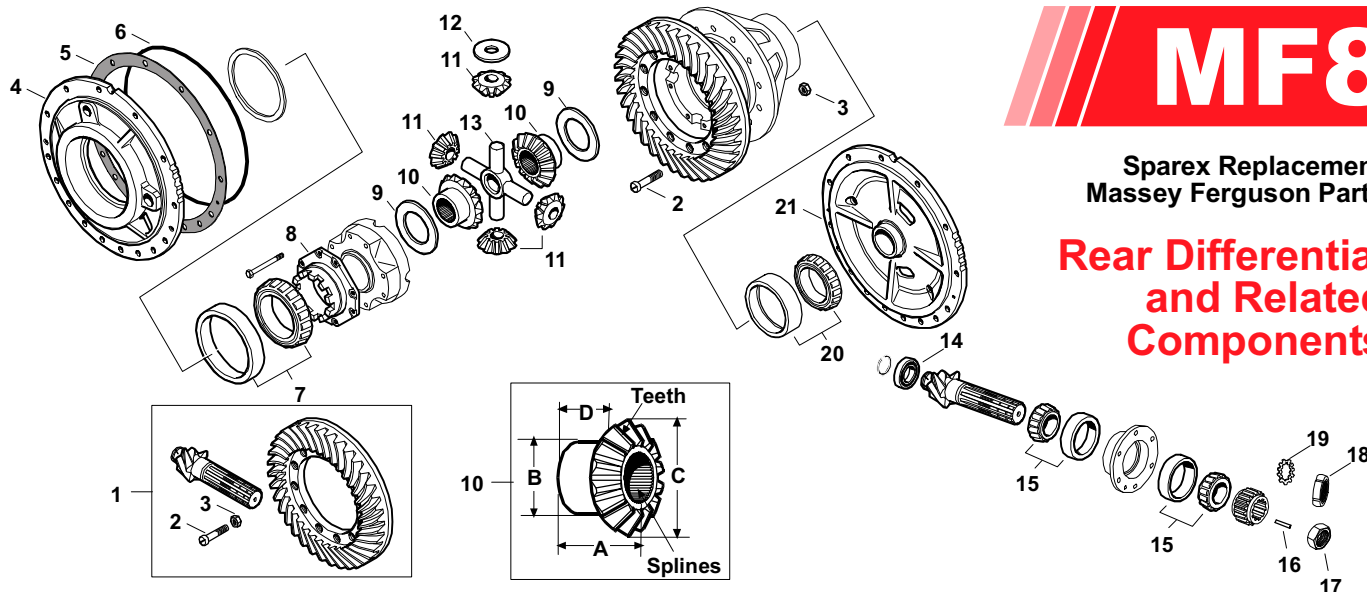
SPAREX No.	DESCRIPTION	EQUIVALENT	TRACTOR MODEL
1	<b>S.40897</b> Ring Gear & Pinion (9 3/8") 6/37 Teeth - Includes Bolts & Nuts		<b>MF 35, 35UK, 50, 135, 135UK, 230, 231, 235, 240, 245, Ind. 20, 20C, 20D, 30, 35 Turf &amp; Utility, 2135, 3165 Light Duty</b> (Check Pinion Length)
1	<b>S.40898</b> Ring Gear & Pinion (9 15/16") 6/37 Teeth - Includes Bolts & Nuts		<b>MF 35, 35UK, 50, 135, 135UK, 230, 231, 235, 240, 245, Ind. 20, 20C, 20D, 30, 35 Turf &amp; Utility, 2135, 3165 Light Duty</b> (Check Pinion Length)
1	<b>S.41344</b> Ring Gear & Pinion 11/38 Teeth - Includes Bolts & Nuts	1664255M92	<b>MF (240 SN 522354~A20286), (253 &gt;Eng SN B32999), (255 w/ Wet Brakes), 360, 362, (375, 390, 399 &gt;Eng SN B32999), Ind. 20E, 20F, 30B, 30E, 30H, 40E, 50D, 50E, 50F, 50H, 60H</b>
2	<b>S.40901</b> Bolt - Ring Gear	825776M1	<b>All Models</b>
3	<b>S.40900</b> Nut - Ring Gear	891947M1	<b>All Models</b>
4	<b>S.41453</b> Differential Plate w/ Wet Brakes - RH	1860882M1	<b>MF (165UK Eng SN 100001&gt; w/ Differential Lock), 245 Orchard, 255, 261, 265, 270, 275, 282, 283, 283UK, 285, 290, 298, 670, 690, 698, 699, 1085, Ind. 30, 30B, 30D, 30E, 30H, 31, 40, 40B, (40E w/ 5 Plate Brakes), 50A, 50C, 50D, 50E, 50F, 50H, 60H</b>
5	<b>S.40922</b> Differential Plate Gasket	183254M1	<b>MF 65, (135 Orchard, Malleable Axle), 150, (165 Malleable Axle), 165UK, 175, 175UK, 178, 180, 1080, Ind. 30, 31, 40, 3165</b>
6	<b>S.40923</b> O-Ring	1860838M1	<b>MF (135 Orchard, 165 w/ Cast Axle), 165UK, (175, 180 Cast Axle), 235 Orchard, (240 SN 522354~A20286), (240 SN A20286&gt;), 245 Orchard, 250, 253, 255, 261, 265, 270, 275, 282, 283, 283 Brazil, 283UK, 285, 290, 298, 360, 362, 375, 383, 390, 390T, 393, 396, 398, 399, 670, 690, 698, 699, 1085, Ind. 20E, 20F, 30, 30B, 30D, 30E, 30H, 31, 40, 40B, 40E, 50A, 50C, 50D, 50F, 50E, 50H, 60H</b>
7	<b>S.40903</b> Bearing & Cup Assembly - RH Brg #37425, Cup #37625 w/ differential Lock	1850909M91	<b>MF 35UK, 135UK, 165UK, 175UK, 178, (240 SN A20286&gt;), 253, 283UK, 360, 362, 375, 383m 390, 390T, 393, 396, 398, 399, Ind. 20F, 30E, 40E, 50E, 50H, 60H</b>
7	<b>S.40904</b> Bearing & Cup Assembly Brg #29590, Cup #29522	1852157M91	<b>MF (165UK less Differential Lock)</b>
7	<b>S.18502</b> Bearing & Cup Assembly - RH Brg #CBK337, Cup #CBK337	1851533M91	<b>MF (35UK, 135UK less Differential Lock), 3050, 3060, 3065, 3070, 3075, 3090, 3120, 3120T, 3140, 8120, 8140, 8150, 8160, 3630, 3650, 3660, 3670, 3680, 3690, 6150, 6180</b>
8	<b>S.42025</b> Cap w/ Differential Lock	190963M1	<b>MF 35, 35UK, 50, 135, 135UK, 150, 230, 231, (235 except Orchard) (240 SN 522354~A20286 w/ 6-37 Tooth Ring Gear &amp; Pinion), (240 SN A20286 w/ Single Drum Brakes), (245 except Orchard), Ind. 20, 20C, 20D, (30 w/ Drum Brakes), 2135, 3165 Turf</b>
8	<b>S.42026</b> Cap w/ Differential Lock	898712M2	<b>MF65, Super 90, 135, 150, 165, 165UK, 175, 175UK, 178, 180, 235 Orchard, (240 SN 522354~A20286 w/ 11-38 Tooth Ring Gear &amp; Pinion), (240 SN A20286&gt; w/ Wet Brakes), 245 Orchard, 250, 253, 255, 261, 265, 270, 275, 282, 283, 283 Brazil, 283UK, 285, 290, 298, 360, 362, 375, 383, 390, 390T, 393, 396, 398, 399, 670, 690, 698, 699, 1080, 1085, Ind. 20E, 20F, (30 w/ Disc Brakes), 30B, 30D, 30E, 30H, 31, 40, 40B, 40E, 50, 50A, 50C, 50D, 50E, 50F, 50H, 60H, 3165 Utility</b>

See page 9 for Inner Brake Seal S.40908

These parts are Sparex parts and are not manufactured by the Original Equipment Manufacturer. Original Manufacturers names, part numbers and descriptions are quoted for reference purposes only and are not intended to indicate that our replacement parts are made by the Original Equipment Manufacturer.



## Rear Differential and Related Components

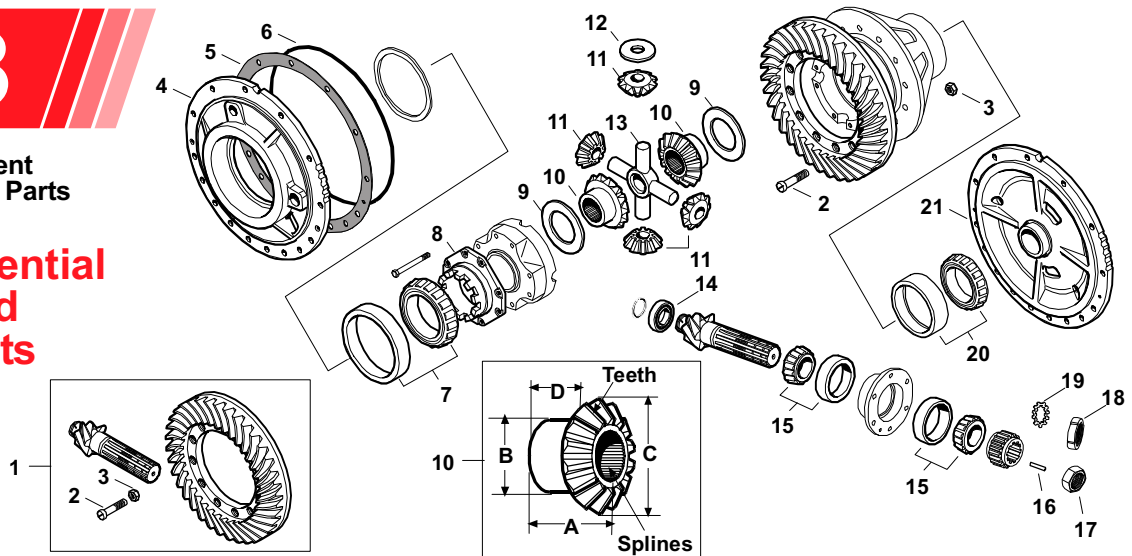


SPAREX No.	DESCRIPTION	EQUIVALENT	TRACTOR MODEL
9	<b>S.42020</b> Thrust Washer (3"ID x 4 3/16"OD x .053" Thick)	181247M1	<b>MF 35, 35UK, 50, 65, 85, 88, Super 90, (135 w/ Differential Lock), (135UK &gt;SN 83855), 150, 165, 165UK, (175 &gt;Rear Axle SN CV7779), (175UK, 178 &gt;SN 718754), (180 &gt;Rear Axle SN CV7779), (1100, 1130 except w/ 8-41 Tooth Ring &amp; Pinion), (1105, 1135 &gt;Rear Axle SN DE2476), 1150, (1155 &gt;Rear Axle SN DE2388), Ind. 35 Turf &amp; Utility, 2135, 3165 (Check Dimensions)</b>
9	<b>S.42021</b> Thrust Washer (3"ID x 4 5/32"OD x 1/16" Thick)	897726M1	<b>MF 135, (135UK SN 83855&gt;), 150, 165, 165UK, 175, 175UK, 178, 180, 230, 231, 235, 240, 245, 250, 253, 255, 261, 265, 270, 275, 282, 283, 283UK, 283 Brazil, 285, 290, 298, 360, 362, 375, 383, 385, 390, 390T, 393, 396, 398, 399, 670, 690, 698, 699, 1080, 1085 (1100, 1130, 1105, 1135 w/ 8-41 Tooth Ring &amp; Pinion), 1150, (1155 w/ 8-41 Tooth Ring &amp; Pinion), Ind. 20, 20C, 20D, 20E, 20F, 30, 30B, 30D, 30E, 30H, 31, 40, 40B, 40E, 50, 50A, 50C, 50E, 50F, 50H, 60H (Check Dimensions)</b>
10	<b>S.40911</b> Gear (16 Teeth, 19 Spline) A=2 5/8" Length, B=4 1/2" Dia C=2 3/4" Dia, D=1 1/2" Long	181249M3	
10	<b>S.40912</b> Gear (16 Teeth, 19 Spline) A=1 15/16" Length, B=4 1/2" Dia C=2 3/4" Dia, D=3/4" Long	184700M1	
10	<b>S.40913</b> Gear (16 Teeth, 39 Spline) A=2 5/8" Length, B=4 1/2" Dia C=2 3/4" Dia, D=1 1/2" Long	897006M1	
10	<b>S.40914</b> Gear (14 Teeth, 39 Spline) A=1 15/16" Length, B=4 1/2" Dia C=2 3/4" Dia, D=15/16" Long	885518M1	
11	<b>S.40909</b> Pinion Gear - 10 Teeth (2 15/16" Dia)	181275M1	<b>MF 135*, 135UK*, 150*, 165*, 165UK*, 175*, 175UK*, 178*, 180*, 230, 231, 235, 240, 245, 250, 253, 255, 261, 265, 270, 275, 282, 283, 283UK, 283 Brazil, 285, 290, 298, 360, 362, 375, 383, 390, 390T, 393, 396, 398, 399, 670, 690, 698, 699, Ind. 20D, 20E, 20F, 30E, 30H, 40H, 50E, 50H, 60H (Check Diameter)</b>
12	<b>S.42019</b> Thrust Washer	181277M1 514958M1 3387281M1	Fits Pinion Gears S.40909, S.40910
13	<b>S.42022</b> Cross Differential	181276M1 894302M1 2746135M2	Fits Pinion Gears S.40909, S.40910
14	<b>S.40905</b> Bearing - Pinion (30 x 62 x 19mm)	191250M1 196098M1	<b>MF 35, 35UK, 50, 65, 135, 135UK, 150, 165, 165UK, 175, 175UK, 178, 180, 230, 231, 235, 240, 245, 250, 253, 255, 261, 265, 265, 270, 275, 282, 360, 362, 375*, 383, 390*, 390T, 393, 396, 398*, 399*, 670, Ind. 20, 20C, 20D, 20E, 20F, 30, 30B, 30D, 30E, 30H*, 31, 35 Turf &amp; Utility, 40, 40B, 40E, 50, 50A, 50C, 50D, 50E, 50F, 50H, 60H, 2135, 3165 (*Check Dimensions)</b>

# MF8

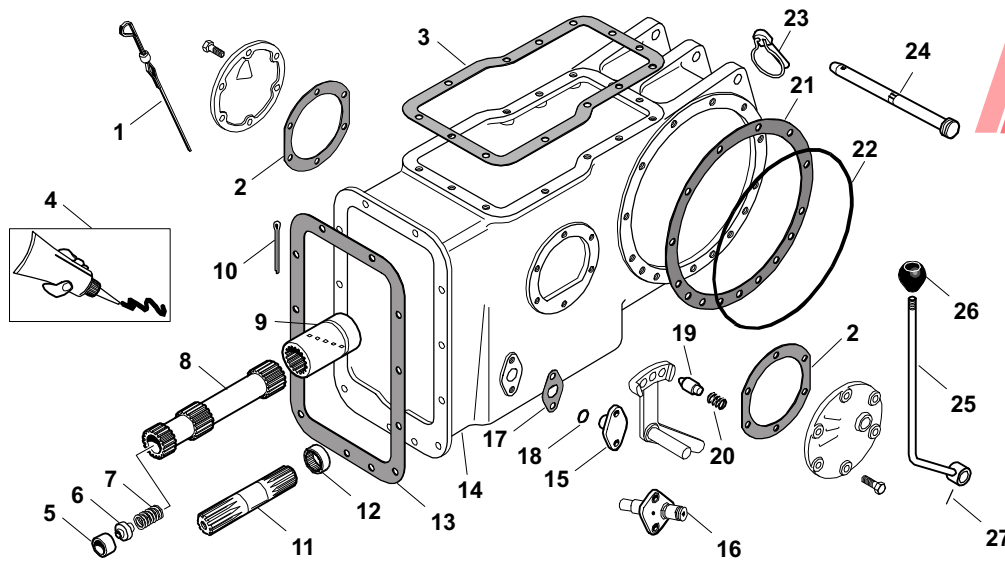
Sparex Replacement  
Massey Ferguson Parts

## Rear Differential and Related Components



SPAREX No.	DESCRIPTION	EQUIVALENT	TRACTOR MODEL
14	<b>S.40906</b> Bearing - Pinion (30 x 62 x 24mm)	834733M1	MF 283, 283UK, 283 Brazil, 285, 290, 298, 375*, 390*, 398*, 399*, 690, 698, 699, 1080, 1085, Ind. 30H* (*Check Dimensions)
15	<b>S.40907</b> Bearing Assembly (95 x 44 x 29mm) Cone & Roller #HM903249-N Cup #HM903210-N	1850090M92	MF 35*, (65 w/ Trans SN CL2686122>), 135, 165*, 165UK, 175*, 180*, 235*, (240 SN 522354~A20286), (240 SN A20286>), 253, 255*, 265*, 265*, 275*, 360, 362, 375, 383, 390, 390T, 393, 396, 398, 399, (*Check Bearing Numbers)
16	<b>S.42146</b> New Style Pinion Locknut Pin	831485M1	MF 165UK, 230, 240, 245, 250, 253, 255, 261, 265, 270, 275, 282, 283, 290, 298, 260, 362, 375, 383, 390, 390T, 393, 396, 398, 399, 670, 690, 698, 699, Ind 20, 20C, 20D, 20E, 20F, 30, 30B, 30E, 31, 40, 40B, 50A, 50C
17	<b>S.42023</b> New Style Pinion Locknut	532956M1	Same as Above
18	<b>S.42024</b> Old Style Differential Pinion Nut	180456M1	MF 35, 50, 65, 135, 135UK, 150, 165, 165UK, 175, 175UK, 178, 180, (230 >SN 9A349239), 235, (245 >SN 9A349239), 255, (265 >SN 9A349239), (275 >SN9A349239), Ind, 20 Turf & Utility, 20C, 30, 31, 35 Turf & Utility, 40, 50, (50A Rear Axle >CD2808), 2135 Turf & Utility, 2200, 2500 Forklift, 3165 Turf & Utility, (4500 Forklift Early Production), 6500 Forklift
19	<b>S.42826</b> Old Style Differential Pinion Washer	180455M1	Same as Above
20	<b>S.18502</b> Bearing Assembly - LH Cone & Roller #CBK337 (67mm ID), Cup #CBK337 (113mm OD)	1851533M91 1857776M1 1857775M1	MF 35UK, 135UK, 165UK, 175UK, 178, (240* SN 522354~A20286), (240 SN A20286> w/ Drum Brakes), Ind. 20E*, 20F*, 30H*, 50F, 50H*, 60H* (*Check Bearing Numbers)
20	<b>S.41455</b> Bearing Assembly - LH Cone & Roller #29685 (73mm ID), Cup #29620 (113mm OD)	1860503M93	MF (240* SN 522354~A20286), (240 SNA20286> w/ Wet Brakes), 253, 283UK, 360, 362, 375, 383, 390, 390T, 393, 396, 398, 399, Ind. 20F*, 30H, 50F, 40E*, 50E*, 50H*, 60H*, (50H, 60H S&T), (*Check Bearing Numbers)
21	<b>S.41454</b> Plate - LH	1687864M1	MF 270. (290 Late Production), 298, 690, (698 SN L259012>), Ind. 30E w/ 5 Plate Wet Brakes), 30H, (40E w/ 5 Plate Wet Brakes), 50E, 50H (50H, 60H S&T)

These parts are Sparex parts and are not manufactured by the Original Equipment Manufacturer. Original Manufacturers names, part numbers and descriptions are quoted for reference purposes only and are not intended to indicate that our replacement parts are made by the Original Equipment Manufacturer.



# MF8

Sparex Replacement  
Massey Ferguson Parts

## Rear Axle Housing and Related Components

SPAREX No.	DESCRIPTION	EQUIVALENT	TRACTOR MODEL
1	<b>S.40823</b> Dipstick (6 1/8" Long)	1665962M91 828810M91	MF 35UK, 165UK, 230, 231, 240, 245, 250, 253, 255, 261, 265, 270, 275, 282, 283, 283UK, 283 Brazil, (285 SN 9A349239>), 290, 298, 360, 362, 375, 383, 390, 390T, 393, 398, Ind. (20C SN 9A282788>), 20D, 20E, 20F, (30B SN 9A272788>), 30D, 30E, (40B SN 9A272788>), 40E, (50C SN 9A272788>), 50D, 50E
2	<b>S.03352</b> Gasket - Side Plate	181217M1	MF 35, 35UK, 50, 65, 135, 135UK, 150, 165, 165UK, 175, 175UK, 178, 180, 230, 231, 235, 240, 245, 250, 255, 261, 265, 270, 275, 282, 283, 285, 290, 298, 670, 698, 699, Ind. 20, 20C, 20E, 20F, 30B, 30D, 30E, 31, 40, 40B, 40E, 50, 50A, 50C, 50D, 50E, 50F, 60, 35 Turf & Utility, 2135, 3165
3	<b>S.03396</b> Gasket - Lift Cover (.017" Thick)	181408M1	MF 35, 35UK, 50, 65, (135UK SN 106719), (175UK, 178 >SN 731776), Ind. 35 Turf & Utility, 2135, 202, 204
3	<b>S.40816</b> Gasket - Lift Cover (.006" Thick)	886549M2	MF 135, (135UK SN 106719>), 150, 165, 175, (175UK, 178 SN 731776>), 180, 230, 235, 245, 255, 265, 275, 282, Ind. 20, 20C, 20E, 20F, 30, 30B, 30D, 30E, 30H, 31, 40, 40B, 50, 50A, 50C, 50F, 50H, 60, 60H, 3165
4	<b>S.14963</b> Loctite® - Gasket Eliminator #515 - 50 ml Tube	841742M1	
5	<b>S.41596</b> Needle Bearing (#1212)	195513M1	MF 35, 35UK, 50, 65, 135, 135UK, 150, 165, 165UK, 175, 175UK, 178, 180, 230, 231, 235, 240, 245, 250, 253, 255, 265, 270, 275, 282, 283, 283UK, 283 Brazil, 285, 290, 298, 360, 362, 375, 383, 390, 390T, 393, 396, 398, 399, 670, 690, 698, 699, 1080, 1085, Ind. 20, 20C, 20D, 20E, 20F, 30, 30B, 30D, 30E, 30H, 31, 40, 40B, 40E, 50A, 50C, 50D, 50E, 50F, 50H, 60H, 2135, 3165, 202, 204
6	<b>S.42184</b> Abutment	886353M1	MF 135UK, 230, 231, 240, 245, 250, 253, 255, 265, 270, 275, 282, 283, 283UK, 283 Brazil, 285, 290, 298, 360, 362, 375, 383, 390, 390T, 393, 396, 398, 399, 670, 690, 698, 699, 1080, 1085, Ind. 20, 20C, 20D, 20E, 20F, 30, 30D, 30E, 30H, 40, 40B, 40E, 50A, 50C, 50D, 50E, 50F, 50H, 60H
7	<b>S.42138</b> Spring	886352M1	Same as Above
8	<b>S.41580</b> Shaft - Includes Needle Bearing (10/22 Spline - 14 5/8" Long)	1866533M1	MF (285 >SN 9A349239), 298, (375, 383, 390, 390T 2 WD), (393 4 WD), (396, 398, 399 2 WD), 50F, 50H, HX, 60H (698 4 wd), 699
9	<b>S.40810</b> Coupling - 2 Groove (5" Long - 2 1/8" Dia)	183088M1 880069M2	MF 35, 35UK, (50 SN 505319> Low Clearance, SN 505298> High Clearance), (65 >SN 691606), 135UK, 165, Ind. 35 Turf & Utility
9	<b>S.40812</b> Coupling - 1 Groove (4" Long - 2 1/8" Dia)	1871924M1	MF 230, 231, 235, 240, (240 SN 522354~A20286 w/ 6 Speed), (240 SN A20286> >Eng SN B3299), (245 except Orchard), (360, 362 w/out Spacer), Ind. (20, 20C w/ 4 5/16" Long Spline on Pinion), 20D
9	<b>S.40811</b> Coupling - 3 Groove (5" Long - 2 1/8" Dia)	880070M2	MF (135UK 8 Speed), (165UK >SN 1446850), 175UK, 178
10	<b>S.01504</b> Cotter Pin (3/16" X 3")	354416X1	Fits Couplers S.40810, S.40811, S.40812, S.40813
11	<b>S.41578</b> Shaft - Pump to IPTO Clutch	1868539M1	MF (240 SN 522354~A20286), (285 >SN 9A349239 w/ Cab), 298, 698, 699, Ind. 20E, 40E, 50E, 50H, 60H

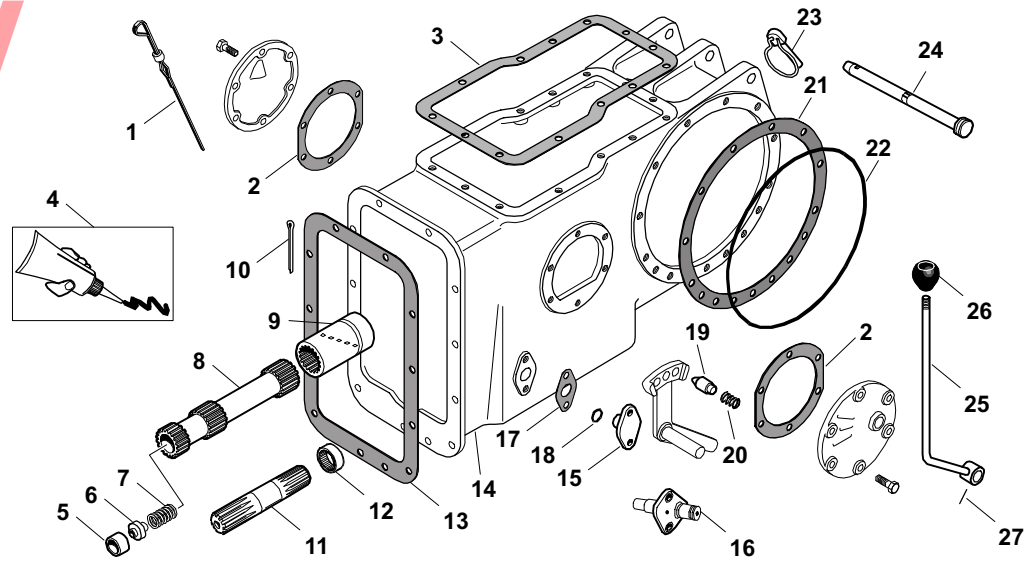
These parts are Sparex parts and are not manufactured by the Original Equipment Manufacturer. Original Manufacturers names, part numbers and descriptions are quoted for reference purposes only and are not intended to indicate that our replacement parts are made by the Original Equipment Manufacturer.



# MF8

Sparex Replacement  
Massey Ferguson Parts

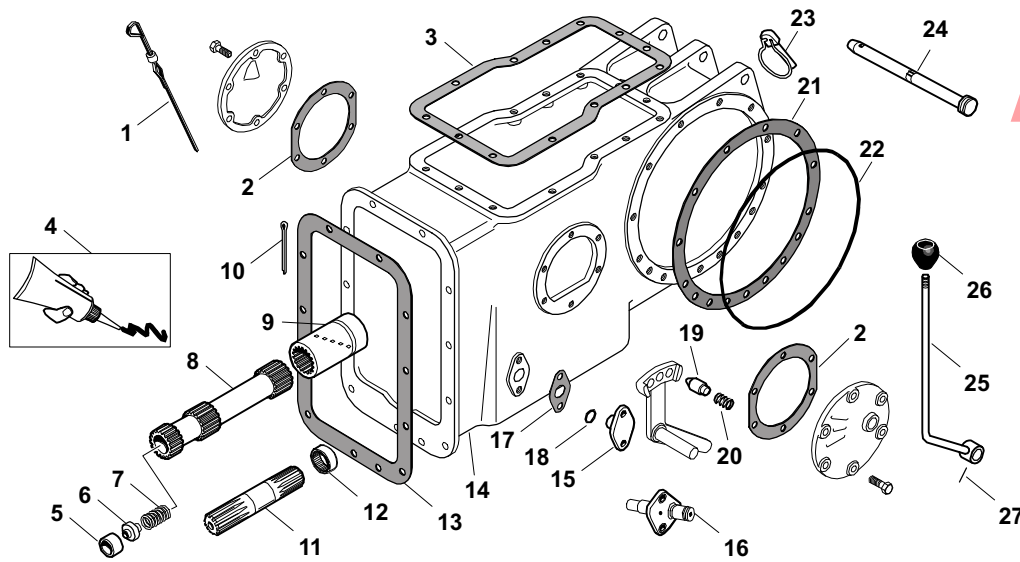
## Rear Axle Housing and Related Components



SPAREX No.	DESCRIPTION	EQUIVALENT	TRACTOR MODEL
12	<b>S.40761</b> Needle Bearing (#228 Brg)	195453M1	<b>MF (240 SN 522354~A20286), (285 &gt;SN 9A349239 w/ Cab), 298, 698, 699, Ind. 20E, 40E, 50E, 50H, 60H</b>
13	<b>S.40814</b> Gasket	1861986M2 3599804M2	<b>MF 35UK, 135UK, 165UK, 231, 240, 250, 253, 270, 282, 283, 290, 360, 362, 375, 383, 390, 390T, 393, 396, 670, 690, Ind. 20D, 20E, 20F, 30E, 30H, 40E, 50E, 50F, 50H, 60H</b>
14	<b>S.58927</b> Center Housing NOTE: Part no. stamped on right side of housing	1664511M3	<b>MF 231, 240, (245 Prior SN 9A349239), 250, (255 SN 9A250920&gt;), 265, 270, 290, (670 Prior SN T192032), (690 2WD Prior SN T192032), (690 4WD Prior SN T314008), 20C, 20D, (30B w/ Rear Axle SN CE17398&gt;), 30E, (50C w/ Rear Axle SN CE17398&gt;), 50F</b>
15	<b>S.41553</b> Peg - Hydraulic Pump Support	180905M1	<b>MF 35, 35UK, 50, 65, 135*, 150*, 165*, 175, Ind 35 Turf &amp; Utility, 2135, 202, 204 (*Check Dimensions)</b>
15	<b>S.03348</b> Peg - Hydraulic Pump Support (9/16" - 7/16" Stepped Peg)	898643M1 517636M1	<b>MF 135*, 135UK, 150*, 165*, (165UK less Hand Brake), 175, 175UK, 178, 180, 230, 231, 235, (240 less Wet Brakes), 245, 253**, 255, 265, 270, 275, 282, 283 Brazil, 285, 290, 298, 360, 362, 375, 383, 390, 390T, 393, 396, 398, 399, 670, 690, 698, 699, 1080, 1085, Ind. 20, 20C, 20D, 30, 30E, 30H, 31, 40*, 50, 50A, 50E, 50F, 50H, 60H, 2135*, 3165 (*Check Dimensions), (**w/ Ergonomic Pedals)</b>
16	<b>S.42027</b> Peg - Hydraulic Pump Support w/ Hand Brake	898937M1	<b>MF 165UK, 175UK, 178, (240 w/ Wet Brakes), 250, 253*, 261, 275, 283, 283UK, Ind. 20F, 30B, 30D, 30E, 31, 40, 40B, 40E, 50C, 50D, 50E, (*w/ Classic Pedals)</b>
17	<b>S.42069</b> Gasket	180904M2	<b>MF 35, 35UK, 50, 65, (135 &gt;SN 9A130003), 135UK, 150, (165UK &gt;SN 9A130003), 165UK, (175 Early Production), 175UK, 178, (180 &gt;Rear Axle SN FZ235), (230 Early Production), 1080, Ind. 20, (20C, 30, 31 Early Production), 35 Turf &amp; Utility, (40 Early Production), 50, 2135, 3165, 202, 204</b>
18	<b>S.01920</b> O-Ring	851258M1	<b>MF (135 SN 9A130003&gt;), 135UK, (165 SN 9A130003&gt;), 165UK, (175 Late Production), (180 Rear Axle SN FZ235&gt;), (230 Late Production), 231, 235, 240, 245, 250, 253, 255, 261, 270, 275, 282, 283, 283UK, 283 Brazil, 285, 290, 298, 360, 362, 375, 383, 390, 390T, 393, 396, 398, 399, 670, 690, 698, 699, 1085, Ind. (20C Late Production), 20D, 20F, 30, 30B, 30D, 30E, 30H, (31 Late Production), 40, 40B, 40E, 50A, 50C, 50D, 50E, 50H, 60H</b>
19	<b>S.41550</b> Plunger - PTO Detent	180418M1	<b>MF 35, 35UK, 50, 65, 135, 135UK, 150, 165UK, 175, 175UK, 178, 180, (230 &gt;SN 9A349239), 231, 235, 240, 255, 253, 261, 270, 283, 283UK, 283 Brazil, 360, 362, 375, 383, 390, Ind. 20, 20C, 20D, 20F, 30, 30E, 31, 40, 40E, 50E, 2135, 3165, 35 Turf &amp; Utility, 202 2135, 3165, 202, 204</b>
20	<b>S.41974</b> Spring - PTO Plunger	191221M2	<b>Same as Above</b>
21	<b>S.40922</b> Gasket (15" OD)	183254M1	<b>MF 35, (35UK SN 77629&gt;), 50, 65, (135 except Orchard), 135UK, 150, 165*, (165UK less Differential Lock), 175*, 175UK, 178, 180*, 230, 231, (235 except Orchard), (240 w/ Drum Brakes), (245 except Orchard), 1080, Ind. 20, 20C, 20D, 30, 31*, 40*, 2135, 3165 Utility, 35 Turf &amp; Utility, 50, 202, 204 (* w/ Malleable Axle)</b>

These parts are Sparex parts and are not manufactured by the Original Equipment Manufacturer. Original Manufacturers names, part numbers and descriptions are quoted for reference purposes only and are not intended to indicate that our replacement parts are made by the Original Equipment Manufacturer.

## Rear Axle Housing and Related Components

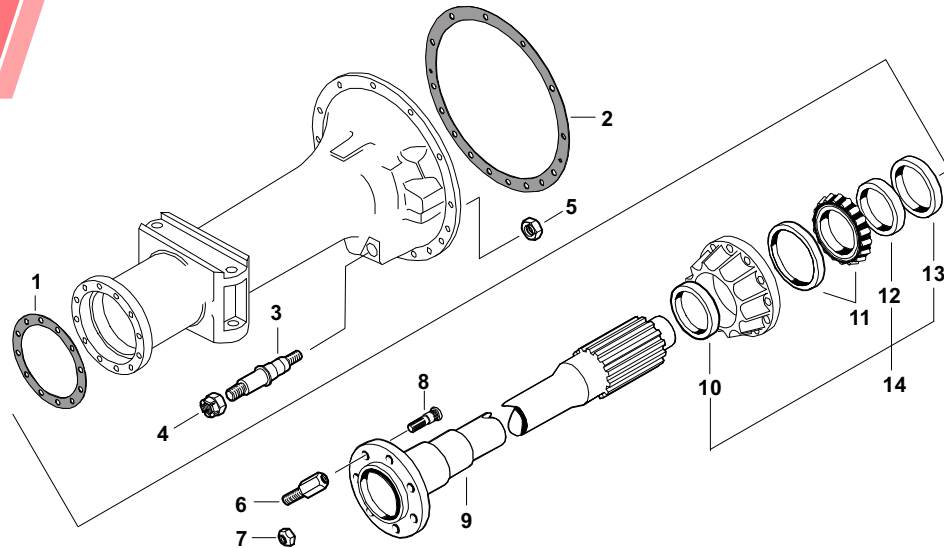


SPAREX No.	DESCRIPTION	EQUIVALENT	TRACTOR MODEL
22	S.40923 O-Ring	1860838M1	MF 135 Orchard, 165*, (165UK w/ Differential Lock), 175*, 180*, 235 Orchard, (240 w/ Wet Brakes), 245 Orchard, 250, 253, 255, 261, 265, 270, 275, 282, 283, 283UK, 283 Brazil, 285, 290, 298, 360, 362, 375, 383, 390, 390T, 393, 396, 398, 399, 670, 690, 698, 699, 1085, Ind. 20E, 20F, 30, 30B, 30D, 30E, 30H, 31*, 40*, 40B, 40E, 50A, 50C, 50D, 50E, 50F, 50H, 60H, (*w/ Cast Axle)
23	S.00039 Linch Pin		
24	S.00071 Hinged Pin	180901M1	MF 35, 35UK, 50, 65, 135UK, 165UK, 175UK, 178, 231, 240, 250, 253, 261, 283, 283UK, 298, 375, 383, 390, 390T, 393, 396, 398, 399, Ind. 20E, 30E, 40E, 50E,
25	S.42183 Lever - PTO	1672622M94	MF 240, 250, 253, 270, 282, 283, Ind. 20D, 20F, 30E, 40E, 50E
26	S.41878 Knob - PTO	1877461M1	Same as Above
27	S.01138 Roll Pin (5/16" x 1 1/2")	357661X1	Same as Above

# MF8

## Sparex Replacement Massey Ferguson Parts

### Rear Axle and Related Components (Drum Brakes)

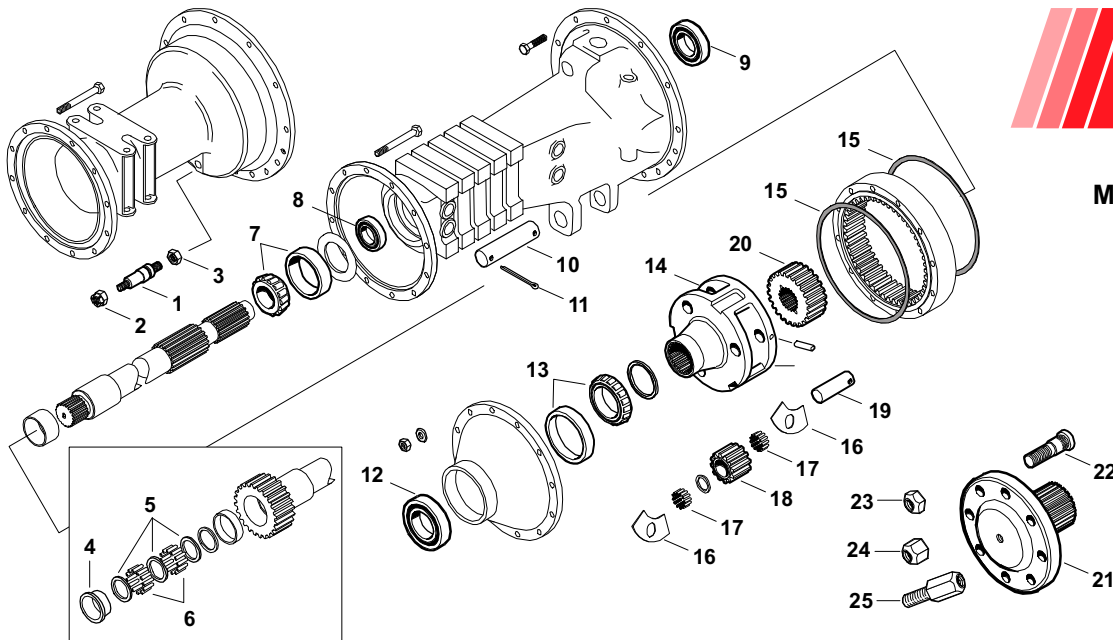


SPAREX No.	DESCRIPTION	EQUIVALENT	TRACTOR MODEL
1	<b>S.42035</b> Shim - Steel (.020")	183261M1	<b>MF 35, 35UK, 50, 135, 135UK, 150, 230, 231, 235, 240, 245, Ind. 20, 20C, 20D, 30 Turf, 2135, 3165, 35 Turf &amp; Utility, 202, 204</b>
1	<b>S.42622</b> Shim - Paper Gasket (.010")	181232M1	<b>Same as Above</b>
2	<b>S.40922</b> Gasket - Trumpet Housing	183254M1	
3	<b>S.01700</b> Shaft - Lift Arm Attaching (5 51/6" Overall)	181229M1	<b>MF 35, 50, 135, (135UK Early Production), 235 Vineyard Ind. (20, 30 Early Production), 35 Turf &amp; Utility, 2135, 3165, 202, 204</b>
3	<b>S.04985</b> Shaft - Lift Arm Attaching (6 1/8" Overall)	1867851M2	<b>MF (135UK Late Production), 230, 231, (235 except Vineyard), 240, 245, Ind. (20, 30 Late Production), 20C, 20D</b>
4	<b>S.08933</b> Nut - Slotted (5/8" UNF)	353927X1	Fits Shaft S.01700
4	<b>S.40213</b> Nut - Slotted (3/4" UNF)	353928X1	Fits Shaft S.04985
5	<b>S.04961</b> Nut - Self-Locking (5/8" UNF)	376450X1	Fits Shaft S.01700, S.04985
6	<b>S.40241</b> Adaptor - Dual Wheel (9/16" UNF - 2 3/4" Long)	818017M1	<b>MF 35, 35UK, 50, 135, 135UK, 150, 230, 231, 235, 240, 245, Ind. 20, 20C, 20D, 30, 2135, 3165 Turf, 35 Turf &amp; Utility, 202, 204</b>
7	<b>S.01752</b> Nut - Rear Wheel (9/16" UNF)	180004M1	<b>Same as Above</b>
8	<b>S.01751</b> Stud (9/16" UNF)	185400M1	<b>Same as Above</b>
9	<b>S.42036</b> Axle (39 Spline - 4 21/32" Spline)	897038M91	<b>MF 135, 135UK, 150, 230, 231, 235, 240, 245, Ind. 20, 20C, 20D, 30 Turf, 2135, 3165 Turf</b>
10	<b>S.05946</b> Seal - Outer (2 3/4" x 3 5/8" x 19/32")	195677M1	<b>MF 35, 35UK, 50, 135, 135UK, 150, 230, 231, 235, 240, 245, Ind. 20, 20C, 20D, 30 Turf, 35 Turf &amp; Utility, 2135, 3165 Turf</b>
11	<b>S.05945</b> Bearing & Cup Assembly (Brg #462A, Cup #453X)	195675M1	<b>MF 35, 50, 135, 135UK, 150, 230, 231, 235, 240, 245, Ind. 20, 20C, 20D, 30 Turf, 35 Turf &amp; Utility, 2135, 3165 Turf</b>
12	<b>S.05695</b> Collar - Shrink-on	180596M1	<b>Same as Above</b>
13	<b>S.05947</b> Seal - Inner (2 1/8 x 2 7/8 x 1/2")	195678M2	<b>Same as Above</b>
14	<b>S.05948</b> Kit - Includes: Seals S.05946x1, S.05947x1, Collar S.05695x1, Bearing Assembly S.05945x1		<b>Same as Above</b>

These parts are Sparex parts and are not manufactured by the Original Equipment Manufacturer. Original Manufacturers names, part numbers and descriptions are quoted for reference purposes only and are not intended to indicate that our replacement parts are made by the Original Equipment Manufacturer.



## Rear Axle and Related Components (Disc Brakes)



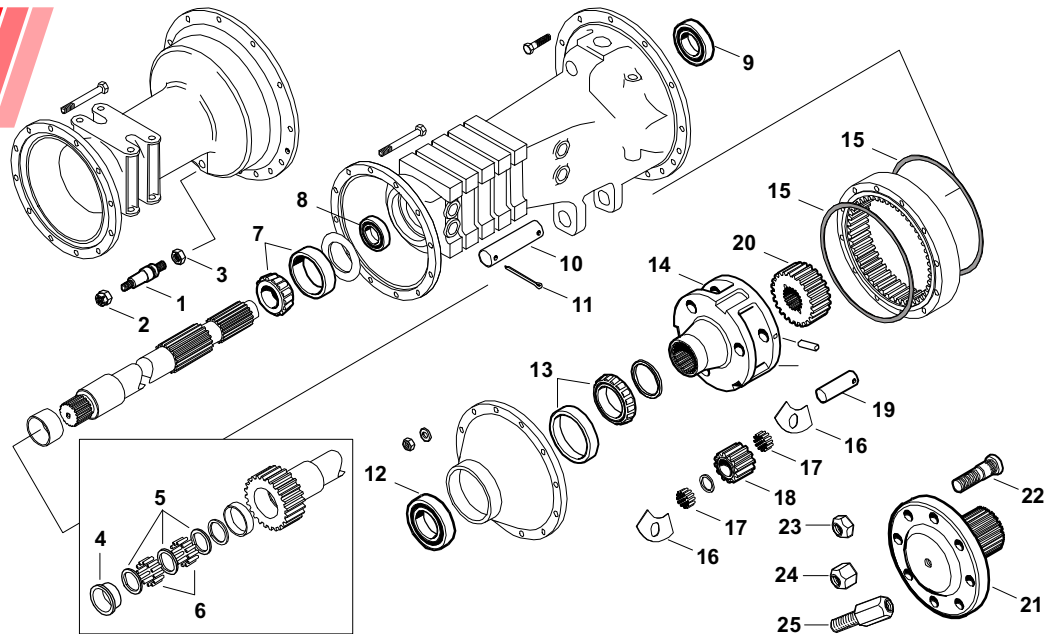
SPAREX No.	DESCRIPTION	EQUIVALENT	TRACTOR MODEL
1	S.01701 Shaft - Lift Arm Attaching	893419M1 184356M1	MF 65 Normal Duty, 150, 165, 165UK, 175, 175UK, 178, 180, 1080, Ind. 30, 31, 40
2	S.40213 Nut - Slotted (3/4" UNF)	353928X1	Same as Above
3	S.04962 Nut - Self Locking (3/4" UNF)	376451X1	Same as Above
4	S.42145 Cone - Rear Axle	185333M1	MF (65 SN 662236> Lo-Clearance), (65 SN 660007> Hi-Clearance), (150 Diesel Row Crop), (165 w/ 2 Pinion Planetary)
5	S.41871 Spacer - Rear Axle	185311M1	Same as Above
6	S.42147 Needle - 72 per Axle	831675M1	Same as Above
7	S.65479 Bearing Assembly - Inner Planetary	1851392M1 831488M1	MF 65
7	S.40926 Bearing Assembly - Inner Planetary Brg #CBK338, Cup #CBK338 (3 1/4" x 4 15/16")	1881931M91 894776M1 022020X	MF 135 Orchard, 150, 165, 165UK, 175, 175UK, 178, 180, 235 Orchard, (240 Wet Brakes), 245 Orchard, 250, (253 SN B33001>), 255, 265, 270, 275, 282, 283, 283UK, 283 Brazil, 285, 290, 298, 360, 362, 375, 383, 390, 390T, 393, 396, 398, 399, 670, 690, 698, 699, 1080, 1085, Ind. 20E, 20F, 30, 30B, 30D, 30E, 31, 40, 40B, 40E, 50, 50A, 50C, 50D, 50F, 50H, 60H, 3165 Utility
8	S.41549 Seal - Inner Planetary (2 5/8" x 3 1/2" x 1/2")	881991M1	MF 65, 150*, (165 w/ 2 Pinion Planetary) (*Check Dimensions)
8	S.40919 Seal - Inner Planetary (2 3/8" x 3 3/8" x 7/8") 1 Spring in Seal w/ Drain Hole	894782M2	MF 135 Orchard, 150*, (165 w/ 3 Pinion Planetary), 175, 175UK, 178, 180, 235 Orchard, (255, 265, 275 w/ Dry Brakes), Ind. (30, 31, 40 w/ Dry Brakes) (*Check Dimensions)
8	S.40918 Seal - Inner Planetary (2 3/8" x 3 3/8" x 7/8") 2 Springs in Seal less Drain Hole	1860954M1	MF (165UK SN 100001>), 245 Orchard, (255, 265, 275 w/ Wet Brakes), 283 Brazil, (285 w/ Wet Brakes), 298, 390 HD, 398, 399, 690, 698, 699, (1085 w/ Wet Brakes), Ind. (30 w/ Wet Brakes), 30B, (30D, 40 w/ Wet Brakes), 40B, 50A, 50C, 50D, 60
8	S.42157 Seal - Inner Planetary (190 x 220 x 20mm)	3019960X1 3429815M1	MF 364S, 374S, 374V, 384S, 394S
8	S.42158 Seal - Inner Planetary (170 x 200 x 15mm)	395521X1	MF 194-4F
9	S.40908 Seal - Inner Brake Housing (2.03" x 3.19" x .89")	881021M93 832954M3	MF 65, 85, 88, Super 90, 135 Orchard, 150, 165, 175, 180, 235 Orchard, 255, (265, 275 w/ Dry Brakes), (285 >SN 9A349239 w/ Dry Brakes), (285 SN 9A349239>), (1085 w/ Dry Brakes), Ind. (30, 31, 40 w/ Dry Brakes) 50, 3165 Utility
10	S.41013 Shaft - Lift Arm Attaching (1 1/8" x 5 1/2")	1867243M1 1695314M1	MF (165UK SN 100001>), 240, 250, 253, 261, 270, 282, 283, 283UK, 290, 360, 362, 375, 383, 390, 390T, 393, 396, 670, 690, Ind. 20E, 20F, 30E, 40E, 50E

These parts are Sparex parts and are not manufactured by the Original Equipment Manufacturer. Original Manufacturers names, part numbers and descriptions are quoted for reference purposes only and are not intended to indicate that our replacement parts are made by the Original Equipment Manufacturer.

# MF8

Sparex Replacement  
Massey Ferguson Parts

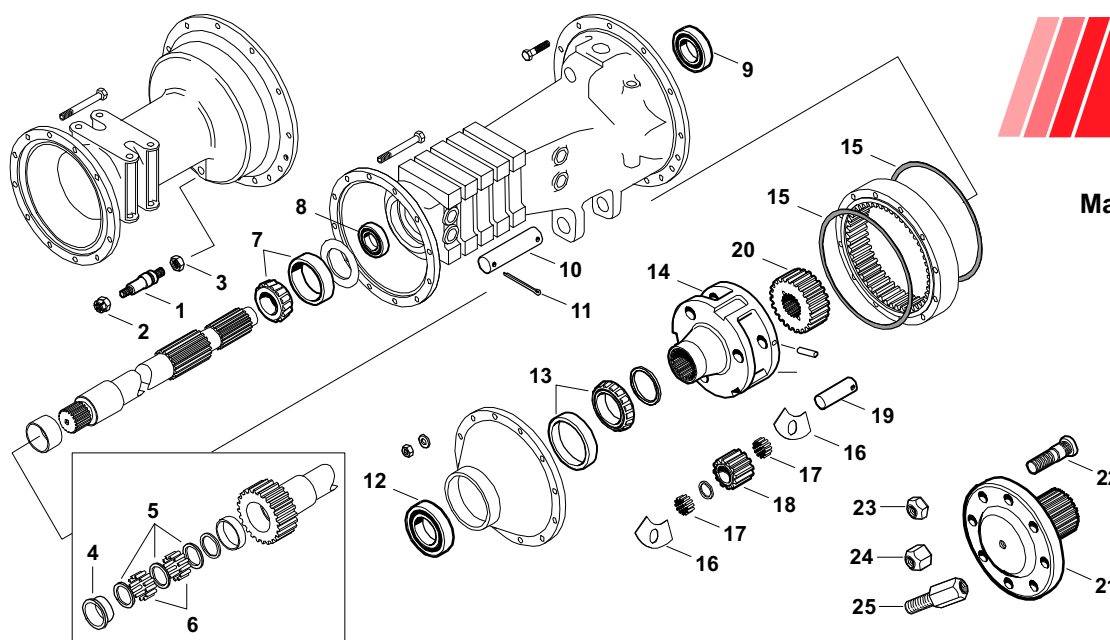
## Rear Axle and Related Components (Disc Brakes)



SPAREX No.	DESCRIPTION	EQUIVALENT	TRACTOR MODEL
11	<b>S.01509</b> Cotter Pin (5/16 x 5 1/2")	354101X1	MF (165UK SN 100001>), 240, 250, 253, 261, 270, 282, 283, 283UK, 290, 360, 362, 375, 383, 390, 390T, 393, 396, 670, 690, Ind. 20E, 20F, 30E, 40E, 50E
12	<b>S.41548</b> Seal - Outer Cover (2 5/8" x 3 3/4 x 33/64")	966238M1	MF 65, 150*, (165 w/ 2 Pinion Planetary) (*Check Dimensions)
12	<b>S.40916</b> Seal -Outer Cover (2 7/8 x 4 x 9/16")	834220M1 894763M4 3699800M1	MF 135 Orchard, 150*, (165UK w/ 3 Pinion Planetary), 165UK, 175, 175UK, 178, 180, 235 Orchard, (240 w/ Wet Brakes), 245 Orchard, 250, 253, 255, 261, 265, 270, 275, 282, 283, 283UK, 283 Brazil, 285, 290, 298, 360, 362, 375, 383, 390, 390T, 393, 396, 398, 399, 670, 690, 698, 699, 1080, 1085, Ind. 20E, 20F, (30 Malleable Axle), 30B, 30D, 30E, 30H, 31, 40, 40B, 40E, 50, 50A, 50C, 50D, 50E, 50F, 50H, 60, 60H, 3165 w/1.765" Planetary Ring Gear)
13	<b>S.65479</b> Bearing Assembly - Outer Planetary	1851392M91 834049M1 831488M1	MF 135 Orchard, 150, 165, 175, 180, 235 Orchard, 245 Orchard, 250, 253, 255, 265, 270, 283, 283UK, 290, 360, 375, 383, 390, 390T, 393, 396, 670, 690, Ind. 20F, 30, 30B, 30D, 30E, 31, 40, 40B, 40E*, 50, 50A, 50C, 50D, 50E*, 3165 w/1.765" Planetary Ring Gear) (*Normal Duty)
13	<b>S.41455</b> Bearing Assembly - Outer Planetary Brg #29685, Cup #29620	831343M1 833639M1 1860503M91	MF 285, 298, 698, 699, 1080, 1085, Ind. 30E, 50E, 50F, 50H, 60, 60H
14	<b>S.41573</b> Housing - Planetary (24 Spline - 3 Gear Type)	1864872M3	MF 135 Orchard, 165, (165UK SN 100001>), 175, 180, 235 Orchard, (240 SN 522354~A20286 w/ Wet Brakes), 245 Orchard, 250, (253 >Eng SN 20-10-89), 255, 261, 265, 270, 275, 282, 283, 283UK, 290, 360, 362, 375, 383, 390, 390T, 393, 396, 670, 690, Ind. 20E, 20F, 30, 30B, 30D, 30E, 30H, 31, 40, 40B, 40D*, 50A, 50C, 50D, 50E* (*Normal Duty)
15	<b>S.40921</b> Gasket - Planetary Ring Gear	191141M1 184182M3	MF 65, 85, 88 Super 90, 135 Orchard, 150, 165, 165UK, 175, 175UK, 178, 180, 235 Orchard, (240 SN 522354~A20286 w/ Wet Brakes), 245 Orchard, 250, 253, 255, 261, 265, 270, 275, 282, 283, 283 Brazil, 290, 360, (375, 390, 390T >SN B18008), 383, 670, 690, 1080, Ind. 20E, 20F, 30, 30B, 30D, 30E, 30H, 40, 40B, 40E, 50, 50A, 50C, 50D, 50E, 50F, 50H, 60, 60H
16	<b>S.05595</b> Thrust Washer Planetary Gear (.50" x 4.75" Long)	894867M1	MF 135 Orchard, 150*, 165, 165UK, 175, 175UK, 178, 180, 235 Orchard, (240 SN 522354~A20286 w/ Wet Brakes), 245 Orchard, 250, 253, 255, 261, 265, 270, 275, 282, 283, 283UK, 283 Brazil, 290, 360, 362, 375, 383, 390, 390T, 393, 396, 670, 690, Ind. 20E, 20F, 30, 30B, 30D, 30E, 30H, 31, 40, 40B, 40E, 50, 50A, 50C, 50D, 50E, 50F, 50H, 60, 60H, 3165 Utility (*Check Length)
17	<b>S.42070</b> Needle Roller (58 per Gear)	184742M1	MF 65, 85, 88, 135 Orchard, 150, 165, 165UK, 175, 175UK, 178, 180, 235 Orchard, (240 SN 522354~A20286 w/ Wet Brakes), 245 Orchard, 250, 253, 255, 261, 265, 270, 275, 282, 283, 283UK, 290, 670, 690, Ind. 20E, 20F, 30, 30B, 30D, 30E, 30H, 31, 40, 40B, 40E, 50, 50A, 50C, 50D, 50E, 50F, 50H, 60, 60H, 3165 Utility
18	<b>S.40927</b> Gear - Planetary (12 Teeth)	894769M1	Same as Above (w/out 65, 85, 88)

These parts are Sparex parts and are not manufactured by the Original Equipment Manufacturer. Original Manufacturers names, part numbers and descriptions are quoted for reference purposes only and are not intended to indicate that our replacement parts are made by the Original Equipment Manufacturer.

## Rear Axle and Related Components (Disc Brakes)



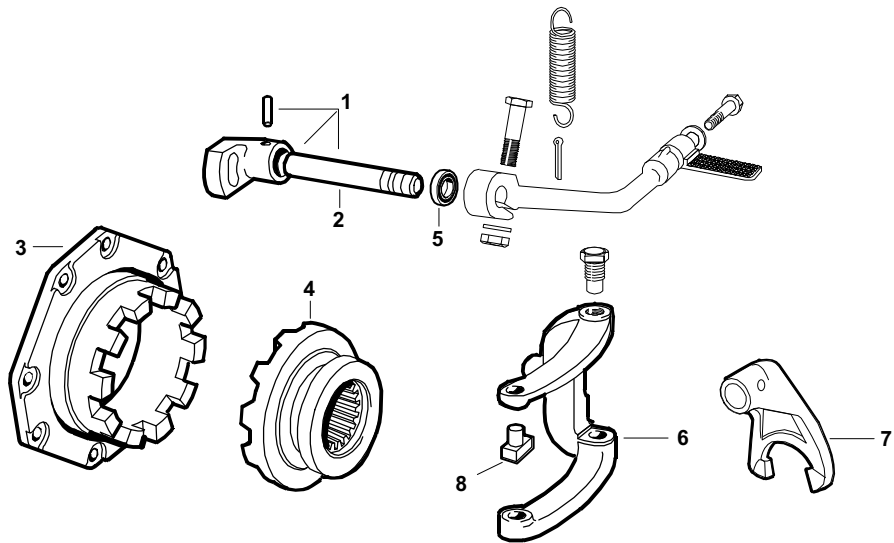
SPAREX No.	DESCRIPTION	EQUIVALENT	TRACTOR MODEL
19	<b>S.41744</b> Shaft - Planetary Pinion Gear (1.03" Dia, 3.26" Length) Solid Pin w/ 2 Snap Ring Grooves	184202M1 1868115M1	<b>MF 65, 150, 165</b> (Note: Check Dimensions & Description)
19	<b>S.41743</b> Shaft - Planetary Pinion Gear (1.03" Dia, 3.26" Length) End Threaded w/ Tapered Hole for Set Screw	894799M1	<b>MF135 Orchard, 150, 165, 165UK, 175, 175UK, 178, 180, Ind. 30, 31, 40, 50, 3165 Utility</b> (Note: Check Dimensions & Description)
19	<b>S.41742</b> Shaft - Planetary Pinion Gear (1.03" Dia, 3.26" Length) End Threaded w/ Thru Hole for Roll Pin	1864869M1	<b>MF135 Orchard, 165, 165UK, 175, 180, 235 Orchard, 240, 245 Orchard, 250, 253, 255, 261, 265, 270, 275, 282, 283, 283UK, 283 Brazil, 290, 360, 362, 375, 383, 390, 390T, 393, 396, (399 w/ 1006.6 Eng), 670, 690, Ind. 20E, 20F, 30, 30B, 30D, 30E, 30H, 31, 40, 40B, 40E, 50A, 50C, 50D, 50E, 50F, 50H, 60, 60H, (Check Dimensions &amp; Description)</b>
20	<b>S.41869</b> Gear - Planetary Sun (21 Teeth, - 39 Spline)	897005M1	<b>MF135 Orchard, 150, 165, 165UK, 175, 175UK, 178, 180, 235 Orchard, (240 SN 522354~A20286 w/ Wet Brakes), 245 Orchard, 250, 253, 255, 261, 265, 270, 275, 282, 283, 283UK, 283 Brazil, 290, 670, 690, Ind. 20E, 20F, 30, 30B, 30D, 30E, 30H, 31, 40, 40B, 40E, 50, 50A, 50C, 50D, 50E, 50F, 50H, 60, 60H, 3165 Utility</b>
21	<b>S.41572</b> Axle Shaft		<b>MF 135 Orchard, (150 w/ 3 Gear Planetary &amp; Wide Planetary Ring Gear), (165 w/ 3 Gear Planetary), 175, 180, 235 Orchard, (240 SN 522354~A20286), 245 Orchard, 250, 253, 255, 261, 265, 270, 275, 283, 283UK, 290, 360, 362, 375, 383, 390, 390T, 393, 396, 670, 690, Ind. 20E, 20F, 30, 30B, 30D, 30E, 30H, 31, 40, 40B, 40E, 50, 50A, 50C, 50D, 50E,</b>
22	<b>S.01753</b> Stud - Rear Axle (5/8" UNF - 2.337" Length)	184272M2	<b>MF 65, 85, 88 Super 90, 150, 165, Ind. 30B, 50, 50A, 50C, 50D, 60</b> (Check Length)
22	<b>S.02743</b> Stud - Rear Axle (5/8" UNF - 2.446" Length)	893017M2 512396M1	<b>MF 135 Orchard, 150, 165, 165UK, 175, 175UK, 180, 235 Orchard, (240 SN 522354~A20286 w/ Wet Brakes), 245 Orchard, 250, 255, 261, 265, 275, 282, 290, Ind. 20E, 20F, 30, 31, 30B, 30D, 40, 40B, 50C, 50D, 60</b>
22	<b>S.41312</b> Stud - Rear Wheel (11/16" UNF - 2.68" Length)	847416M1	<b>MF (240 SN 522354~A20286 w/ Wet Brakes), 250, 253, 270, 283, 283UK, 290, 298, 360, 362, 375, 383, 390, 390T, 393, 396, 398, 399, 670, 690, 698, 699, Ind. 20E, 20F, 40E</b> (Check Dimensions)
23	<b>S.01754</b> Nut - Rear Wheel Stud (5/8" UNF - 5/8" Deep - 1 1/16 Hex)	184273M1	Fits S.01753 Stud
24	<b>S.02742</b> Nut - Rear Wheel Stud (5/8" UNF - 7/8" Deep - 1 1/16 Hex)	881162M2	Fits S.02742 Stud
24	<b>S.41313</b> Nut - Rear Wheel Stud (11/16" UNF - 7/8" Deep - 1 1/16 Hex)	847417M1	Fits S.41312 Stud
25	<b>S.40242</b> Nut - Dual Wheel Adaptor (5/8" UNF x 5/8" UNF)	1863857M1	
25	<b>S.16028</b> Nut - Dual Wheel Adaptor (11/16" UNF x 11/16" UNF)		

These parts are Sparex parts and are not manufactured by the Original Equipment Manufacturer. Original Manufacturers names, part numbers and descriptions are quoted for reference purposes only and are not intended to indicate that our replacement parts are made by the Original Equipment Manufacturer.

# MF8

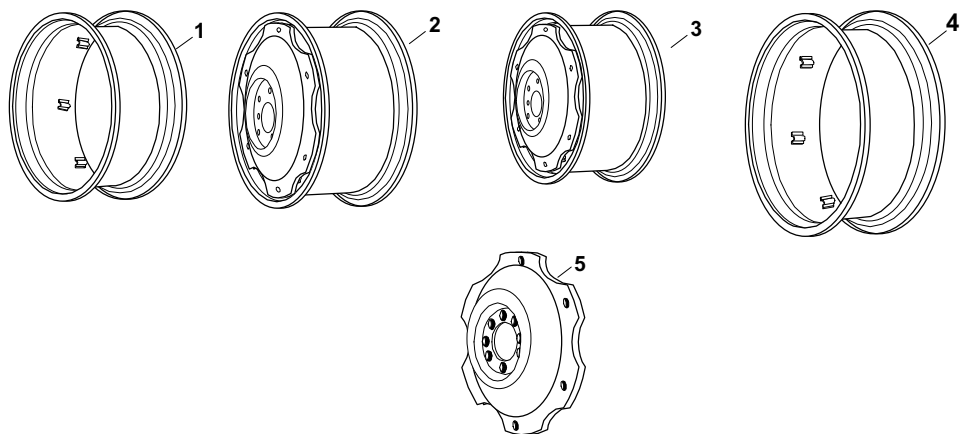
Sparex Replacement  
Massey Ferguson Parts

## Differential Lock and Related Components



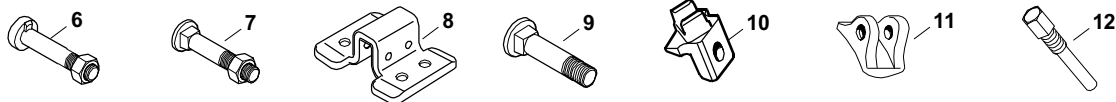
SPAREX No.	DESCRIPTION	EQUIVALENT	TRACTOR MODEL	
1	S.42046	Cam & Shaft Assembly	190960M92	MF 35, 35UK, 50, 135, 135UK, 150 Standard, 230, 231, 235, (240 w/ Drum Brakes), 245, Ind. 20C, 20D, 30, 2135 Turf & Utility, 3165 Turf
2	S.42174	Shaft	1864763M1	MF (165UK SN 141636>), (240 SN 522354~A20286), (245 Orchard, 245 >SN 9A349239), 250, 255, 261, (265, 275 w/ Wet Brakes), 270, 282, 283, 283UK, 283 Brazil, (285 w/ Wet Brakes), 290, 298, 670, 690, 698, 699, 1085, Ind. 20E, 20F*, (30, 30B, 30D, w/ Cast Axle), 30E, 30H, (31, 40 w/ Wet Brakes), 40B, 40E, (50A w/ Rear Axle SN CD8028), 50C, 50D, 50E, 50F, 50H*, 60*, 60H* (*Used w/ Washer #1864764M1 30mm Dia x 5mm Thick)
3	S.42025	Cap w/ Differential Lock	190963M1	MF 35, 35UK, 50, 135, 135UK, 150, 230, 231, (235 except Orchard) (240 SN 522354~A20286 w/ 6-37 Tooth Ring Gear & Pinion), (240 SN A20286 w/ Single Drum Brakes), (245 except Orchard), Ind. 20, 20C, 20D, (30 w/ Drum Brakes), 2135, 3165 Turf
3	S.42026	Cap w/ Differential Lock	898712M2	MF 65, Super 90, 135, 150, 165, 165UK, 175, 175UK, 178, 180, 235 Orchard, (240 SN 522354~A20286 w/ 11-38 Tooth Ring Gear & Pinion), (240 SN A20286> w/ Wet Brakes), 245 Orchard, 250, 253, 255, 261, 265, 270, 275, 282, 283, 283UK, 285, 290, 298, 360, 362, 375, 383, 390, 390T, 393, 396, 398, 399, 670, 690, 698, 699, 1080, 1085, Ind. 20E, 20F, (30 w/ Disc Brakes), 30B, 30D, 30E, 30H, 31, 40, 40B, 40E, 50, 50A, 50C, 50D, 50E, 50F, 50H, 60H, 3165 Utility
4	S.42041	Coupler	897036M1	MF (35UK SN 383201>), 50, (135 SN 641000003>), 135UK, 150 Standard, 230, 231, 235, (240 w/ Drum Brakes), 245, Ind. 20 Turf, 20C, 20D, 30 Turf, 2135 Turf & Utility, 3165 Turf
4	S.42042	Coupler	897003M3	MF 135 Orchard, 150*, 165, 175, 175UK, 178, 180, 235 Orchard, 240, 245 Orchard, 250, 253, 255, 261, 265, 270, 275, 282, 283, 283UK, 283 Brazil, 285, 290, 298, 360, 362, 375, 383, 390, 390T, 393, 396, 398, 399, 670, 690, 698, 699, (1080 Cast Axle), 1085, Ind. 20E, 20F, 30, 30B, 30E, 30D, 30E, 30H, (31 Malleable Axle), 40, 40B, 40E, 50A, 50C, 50D, 50E, 50F, 50H, 60, 60H, 3165 Utility (*Check Tooth Count)
5	S.42030	Seal - Differential Lock Shaft (7/8" x 1 1/4" x 3/16")	831575M1	MF 65, Super 90, 135 Orchard, 150, (165 Malleable Axle), 165UK, (175 Malleable Axle), 175UK, 178, 180, Ind. (30, 31, 40 Malleable Axle), 50, 3165 Utility
6	S.42043	Selector Fork	190968M1	MF 35, 35UK, 50, 135, 135UK, 150 Standard, 230, 231, 235, (240 w/ Drum Brakes), 245, Ind. 20 Turf, 20C, 20D, 30 Turf, 3165 Turf
7	S.42044	Selector Fork	906807M1	MF 135, (165 Cast Axle), (165UK SN 141636>), (175, 180 Cast Axle), 235 Orchard, (240 w/ Wet Brakes), 245 Orchard, 250, 253, 255, 261, 265, 270, 275, 282, 283, 283UK, 283 Brazil, 285, 290, 298, 360, 362, 375, 383, 390, 390T, 393, 396, 398, 399, 670, 690, 698, 699, (1080 Cast Axle), 1085, Ind. 20E, 20F, (30, 30B, 30D Cast Axle), 30E, 30H, 31, (40 Cast Axle), 40B, 40E, 50A, 50C, 50D, 50E, 50F, 50H, 60, 60H
8	S.42045	Shoe - Fork	190980M1	MF 35, 35UK, 50, 135, 135UK, 150 Standard, 230, 231, 235, (240 w/ Drum Brakes), 245, Ind. 20 Turf, 20C, 20D, 30 Turf, 3165 Turf

These parts are Sparex parts and are not manufactured by the Original Equipment Manufacturer. Original Manufacturers names, part numbers and descriptions are quoted for reference purposes only and are not intended to indicate that our replacement parts are made by the Original Equipment Manufacturer.



Sparex Replacement  
Massey Ferguson Parts

## Rear Rims and Related Components



SPAREX No.	DESCRIPTION	EQUIVALENT	TRACTOR MODEL
1	<b>S.61709</b> Rim - 9 x 28", 6 Loop		
1	<b>S.61966</b> Rim - 10 x 28", 6 Loop		
1	<b>S.61178</b> Rim - 11 x 28", 6 Loop		
1	<b>S.61712</b> Rim - 12 x 28", 6 Loop		
2	<b>S.61968</b> Rim Assembly - 10 x 28" Includes: S.61133		<b>MF 35, 50, 135, 150, 235, Ind. 35 Turf &amp; Utility, 2135 Utility, 202, 204</b>
3	<b>S.42832</b> Rim Assembly - 12" x 24" 6 Lug	535491M91 535455M1	<b>MF 230, 245, 255, 265, 285, Ind. 20C, 20D, 30, 30B, 30D, 40, Center: 230, 245, 285</b>
4	<b>S.42790</b> Rear Rim - 14" x 30" 8 Lug (24 1/2" Holes c-c), Drop Center, 28" Center Disc	1688674M91	<b>MF 360, 362, 375, 390, 390T</b>
5	<b>S.61133</b> 28" Disc - 6 Loops - 24 3/8" Dia., 8 Lugs - 6" Dia. Bolt Pattern, 4 5/16" Center Hole	193701M1	<b>MF 35, 50, 135, 150, 235, Ind. 35 Turf &amp; Utility, 2135 Utility, 202, 204 (9 x 28, 10 x 28, 11 x 28 &amp; 12 x 28 Rims)</b>
6	<b>S.04352</b> Rim to Disc Bolt & Nut Pipped Head (5/8")		<b>Rim to Disc</b>
7	<b>S.65113</b> Rim to Disc Bolt & Nut Carriage Head Bolt (5/8")		
8	<b>S.41607</b> Weld-on Lug		<b>Tractors with Standard Rims</b>
9	<b>S.41452</b> Carriage Head Bolt (3/4 x 4 1/2" UNC)		<b>Bridle Bolt / Power Adjusted Rims</b>
10	<b>S.41324</b> Bridle - Clamp	898021M1 3615259M1 1755057M2	<b>Power Adjusted Rims - Most Models</b>
11	<b>S.41383</b> Stop		<b>MF 175UK, 178, 184-4, (270 w/ 11 x 28 Rim), 283 Brazil, 362, 375, 390, 390T, 396, 398, 399, (670 w/ 30" Rim), 3050, 3060, 3065, 3070, 3090, Power Adjusted Rims</b>
12	<b>S.41384</b> Screw/ Stop		<b>Power Adjusted Rims - Most Models</b>

These parts are Sparex parts and are not manufactured by the Original Equipment Manufacturer. Original Manufacturers names, part numbers and descriptions are quoted for reference purposes only and are not intended to indicate that our replacement parts are made by the Original Equipment Manufacturer.