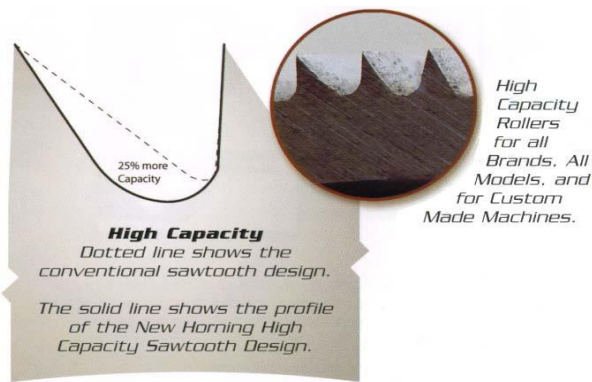


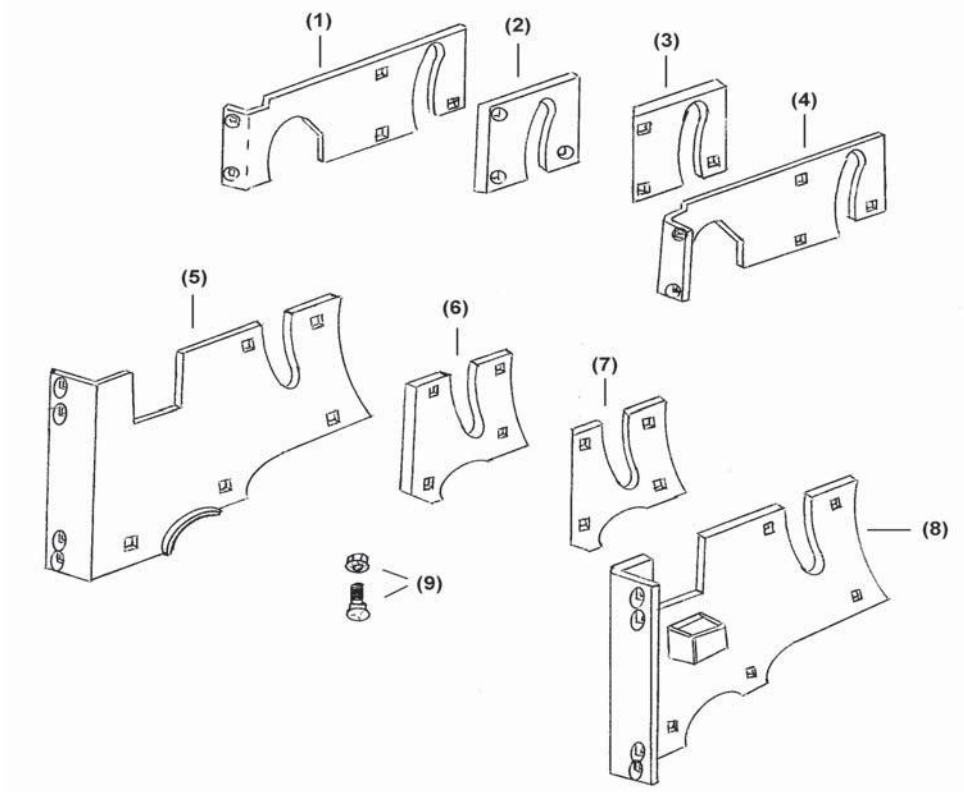


Maize Corporation saw tooth kernal processor rolls are the most aggressive on the market. They keep the feed moving while they crack the grain to your satisfaction.



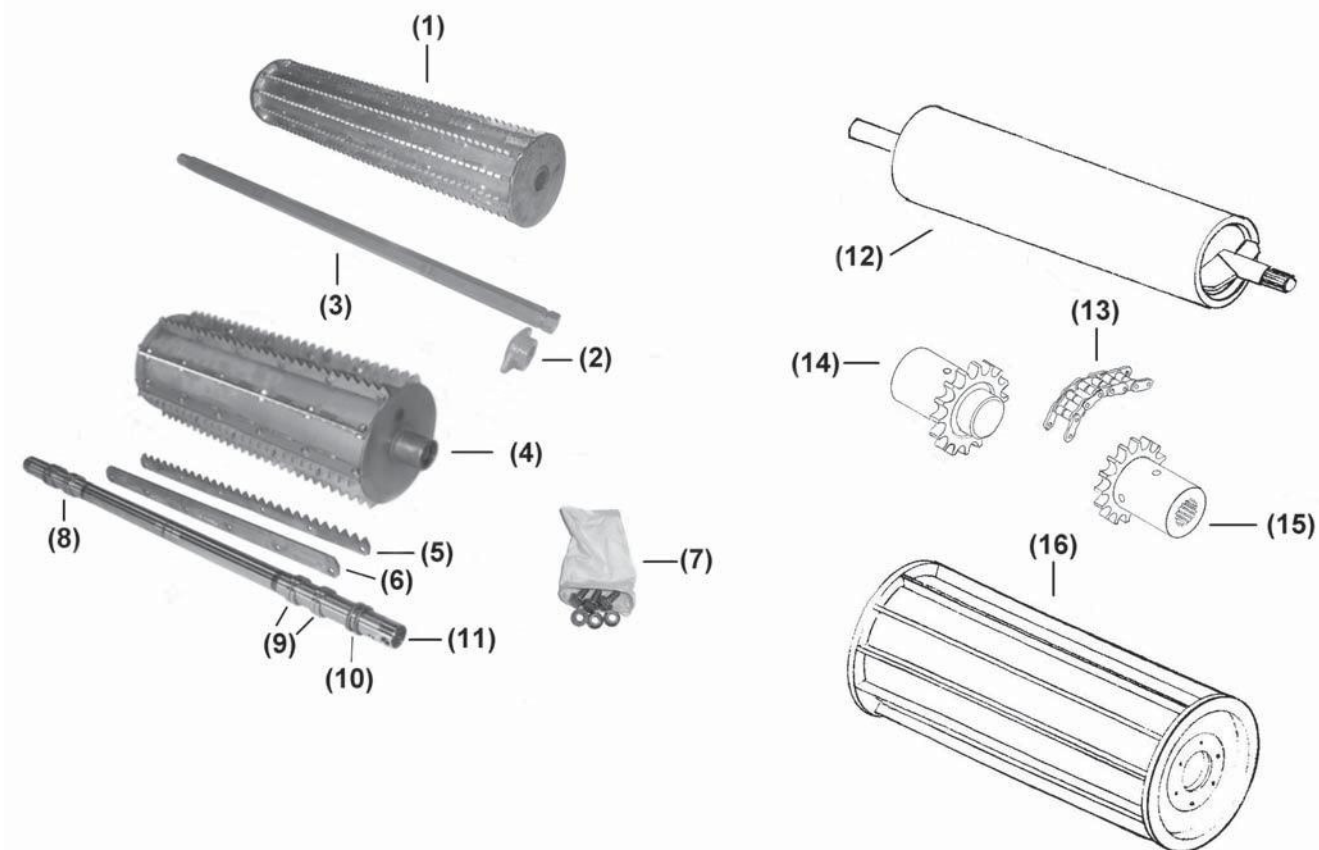
The spiral plate 58229MS has the same 1/8" chromium carbide hardfacing. This is a quality inlaid hardfaced plate. Extends the life and decreases your down time.

## FEEDROLL SIDE WEAR PLATES



<u>Item No.</u>	<u>Maize Part No.</u>	<u>Deere Part No.</u>	<u>Description</u>	<u>Qty Req</u>	<u>Maize Price</u>
1	61008M	Z61008	<u>Wear plate, upper, RH, alloy</u>	1	36.08
2	61010M	Z61010	<u>Wear plate, upper rear, RH, alloy</u>	1	28.75
3	61011M	Z61011	<u>Wear plate, upper, rear, LH, alloy</u>	1	28.75
4	61009M	Z61009	<u>Wear plate, upper, LH, alloy</u>	1	36.08
5	100686M	AZ100686	<u>Wear plate, lower, RH, alloy</u>	1	62.00
6	68063M	Z68063	<u>Wear plate, lower rear, RH, alloy w/tungsten</u>	1	56.00
7	68062M	Z68062	<u>Wear plate, lower rear, LH, alloy w/tungsten</u>	1	56.00
8	100685M	AZ100685	<u>Wear plate, lower, LH, alloy</u>	1	62.00
9	97004MBK	N/A	<u>Bolt kit, all bolts required to mount wear plates</u>	1	24.00

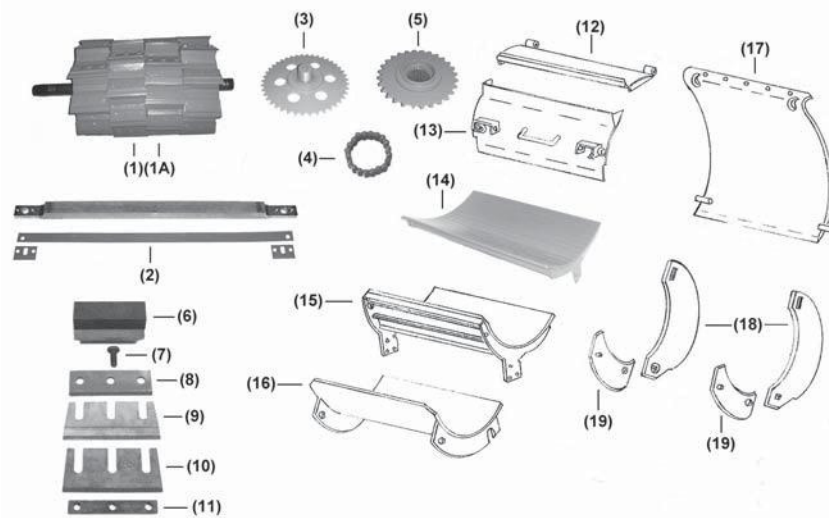
## FEEDROLLS AND RELATED PARTS



<u>Item No.</u>	<u>Maize Part No.</u>	<u>Deere Part No.</u>	<u>Description</u>	<u>Qty Req</u>	<u>Maize Price</u>
1	57147M	AZ57147	<u>Feedroll, upper rear, stainless steel</u> , more aggressive design	1	745.00
2	12673M	Z12673	<u>Deflector, feedroll end</u>	2	28.42
3	81669M	Z81669	<u>Shaft, upper rear feedroll, induction hardened shaft ends</u>	1	146.25
4	101012M	AZ101012	<u>Feedroll, upper front, straight</u> , replaceable teeth, stainless steel, <b>includes bearings and seals</b>	1	1850.00
5	74274M	Z74274	<u>Replaceable tooth</u> , stainless steel, bolt on, Maize straight serrated tooth	8	55.00
6	79099M	Z79099	<u>Replaceable bar</u> , stainless steel, bolt on, non-serrated	8	48.00

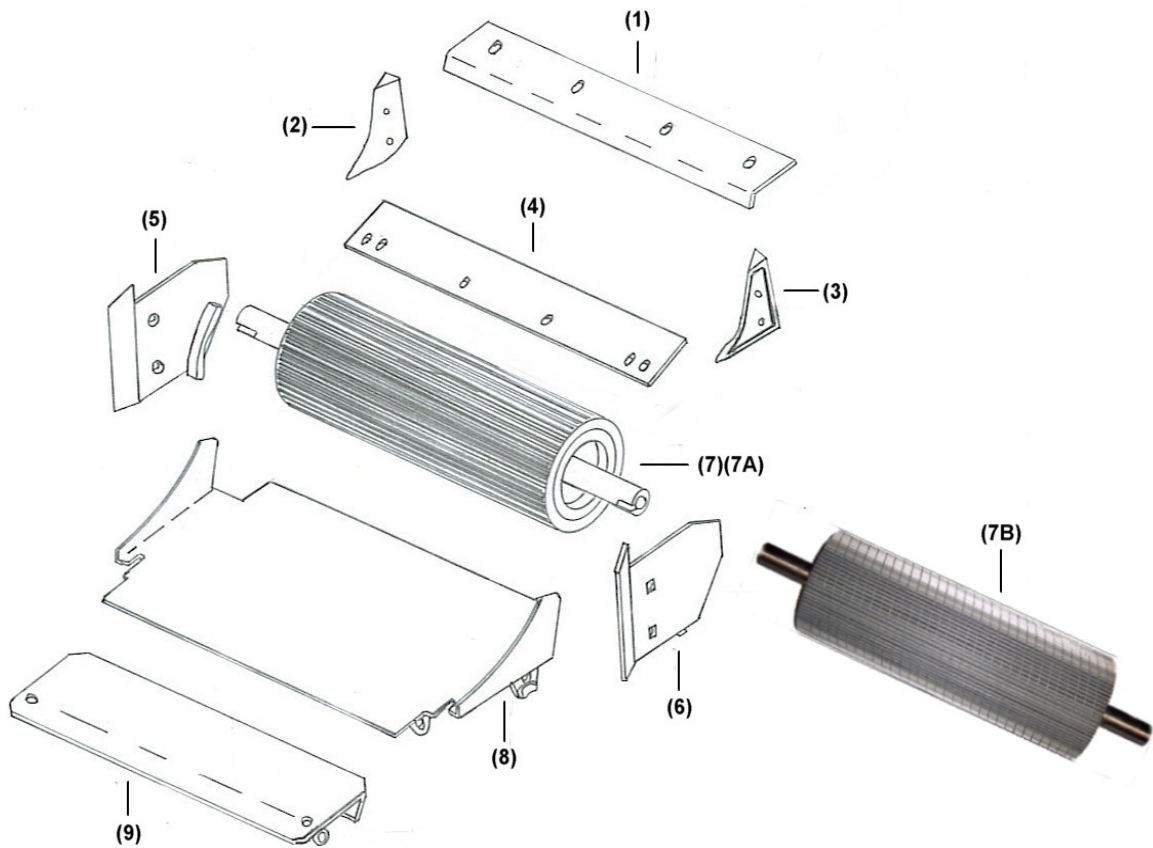
<u>Item No.</u>	<u>Maize Part No.</u>	<u>Deere Part No.</u>	<u>Description</u>	<u>Qty Req</u>	<u>Maize Price</u>
7	74127MBK	Z74127	<u>Bolt kit</u> , replaceable tooth, upper front feedroll	1	28.50
8	62417M	AZ62417	<u>Needle bearing</u> , inside RH	1	28.81
9	10071M	JD10071	<u>Needle bearing</u> , upper front feedroll	3	22.26
10	28870M	AL28870	<u>Seal</u> , upper front feedroll	4	10.25
11	81672M	Z81672	<u>Shaft</u> , upper front feedroll, <b>induction hardened shaft ends</b>	1	335.00
12	59687M	AZ59687	<u>Feedroll, lower rear</u> , <b>induction hardened splines, shaft ends and outside 2" of roll</b> , manufactured from special material, longer life	1	523.00
13	47886M	AZ47886	<u>Chain coupling</u> , lower rear feedroll to gear box drive shaft, heavy duty	1	36.27
14	57514M	AZ57514	<u>Coupling sprocket</u> , lower feedroll, heat treated shaft	1	76.00
15	57354M	AZ57354	<u>Coupling sprocket</u> , gear box drive shaft to lower rear feedroll, heat treated	1	78.00
16	57158M	AZ57158	<u>Feedroll</u> , lower front, stainless steel, cross bars are thicker	1	1460.00

## CUTTER HEAD LIDS, PANS AND RELATED PARTS



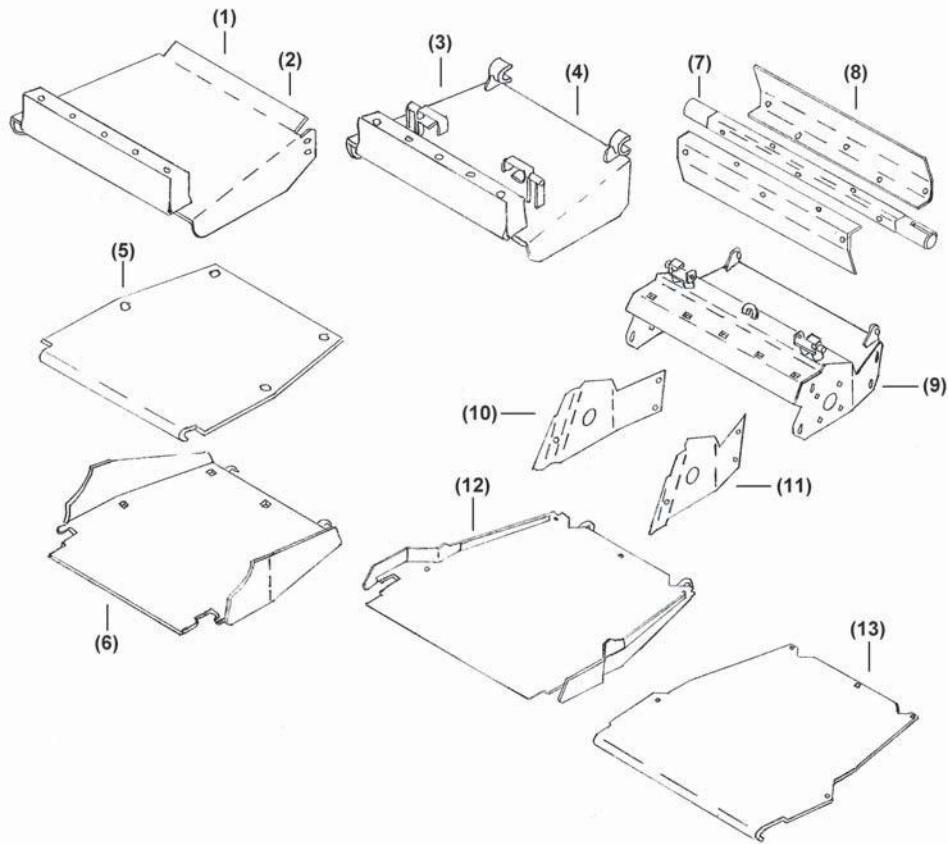
Item No.	Maize Part No.	Deere Part No.	Description	Qty Req	Maize Price
1	100834M	AZ100834	<u>40 Knife cutter head</u> , replaceable shaft, includes heavy duty outside plates with two internal 1/2" plates to support each knife bracket. Comes standard with corn knife (72500M) or grass knife (81123M)	1	5250.00
			Add tungsten carbide to knife bracket face		420.00
			Add super knife corn (72500MS) or grass (81123MS)		210.00
2	64735M		<u>Heavy duty cutter bar</u> , with tungsten carbide coating, use for corn and grass, includes bearing kit	1	799.00
3	100761M	AZ100761	<u>Coupling sprocket</u> , cutter head shaft	1	215.00
4	59516M	AZ59516	<u>Coupling chain and connecting link</u>	1	62.50
5	100763M	AZ100763	<u>Coupling sprocket</u> , gear box shaft	1	278.00
6	56005M	AZ56005	<u>Sharpening stone</u>	1	56.68
7	69650M	Z69650	<u>Knife bolt</u> , wide head metric 12.9	120/144	1.80
8	76801M	Z76801	<u>Top strap</u> , heat treated	40/48	7.90
9	72500M	Z72500	<u>Corn knife</u> , inlaid tungsten carbide	40/48	17.88
10	81123M	Z81123	<u>Grass knife</u> , inlaid tungsten carbide	40/48	18.00
11	72498M	Z72498	<u>Nut, knife bolt</u> , heat treated cold roll steel		8.00
12	57836M	AZ57836	<u>Cover, upper rear</u> , cutter head, special longer life alloy	1	48.00
13	58855M	AZ58855	<u>Cover upper front</u> , cutter head, special longer life alloy	1	72.00
14	58229MS	N/A	<u>Pan</u> , under cutter head, 1/8" chromium carbide hard surface	1	675.00
15	58229M	AZ58229	<u>Pan</u> , under cutter head, standard, special longer life alloy	1	179.00
16	63743M	AZ63743	<u>Pan</u> , under cutter head, special longer life alloy	1	164.00
17	57552M	AZ57552	<u>Cover</u> , rear cutter head	1	136.00
18	75383M	Z75383	<u>Wear plate</u> , rear, special longer life alloy	1	21.00
19	72502M	Z72502	<u>Wear plate</u> , behind cutter bar, alloy	1	9.25

# KERNAL PROCESSOR



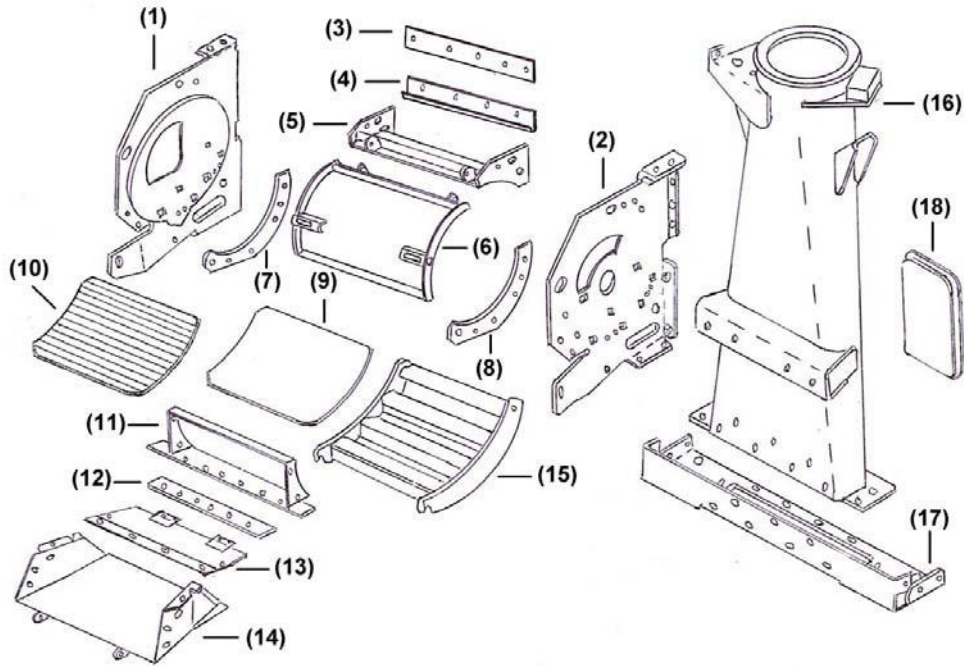
Item No.	Maize Part No.	Deere Part No.	Description	Qty Req	Maize Price
1	74717M	Z74717	<u>Deflector</u> upper rear, alloy, longer life	1	42.00
2	13283M	Z13283	<u>Deflector</u> , RH, heat treated, OEM specs	1	60.30
3	13282M	Z13282	<u>Deflector</u> , LH, heat treated, OEM specs	1	60.30
4	74716M	Z74716	<u>Deflector</u> , alloy, longer life	1	30.00
5	100687M	AZ100687	<u>Wear plate</u> , RH, AR steel for longer life	1	31.50
6	100688M	AZ100688	<u>Wear plate</u> , LH, AR steel for longer life	1	31.50
7	54514M	AZ54514	<u>Crimper roll</u> , saw tooth, special open design, more capacity	1	1300.00
7A	54514MC	N/A	<u>Crimper roll</u> , chrome, sawtooth, more capacity, longer life	1	1800.00
7B	54514MS	N/A	<u>Spiral crimper roll</u> , heat treated, high capacity	1	1360.00
8	71589M	AZ71589	<u>Chute</u> , AR steel for longer life	1	230.00
9	63746M	AZ63746	<u>Deflector</u> , AR steel for longer life	1	171.50

## CHUTES, LINERS AND POWER CHUTE



<u>Item No.</u>	<u>Maize Part No.</u>	<u>Deere Part No.</u>	<u>Description</u>	<u>Qty Req</u>	<u>Maize Price</u>
1	74744M	Z74744	<u>Chute</u> , steel, w/o KP installed	1	58.00
2	78794M	Z78794	<u>Chute</u> , stainless, w/o KP installed	1	98.00
3	61628M	AZ61628	<u>Chute</u> , steel, with KP installed	1	242.00
4	63979M	N/A	<u>Chute</u> , stainless, with KP installed	1	278.00
5	78792M	Z778792	<u>Liner</u> , stainless, w/o power chute	1	130.00
6	65663M	AZ65663	<u>Chute</u> , w/o power chute	1	186.00
7	78420M	Z78420	<u>Shaft</u>	1	140.00
8	78421M	Z78421	<u>Paddle</u>	4	195.00
9	63663M	AZ63663	<u>Housing</u> , power chute	1	425.00
10	78427M	Z78427	<u>Side plate</u> , RH	1	130.50
11	78426M	Z78426	<u>Side plate</u> , LH	1	130.50
12	100911M	AZ100911	<u>Chute</u> , used with power chute	1	350.00
13	100912M	N/A	<u>Liner</u> , stainless, for 100911M	1	152.00

## BLOWER ASSEMBLY



Item No.	Maize Part No.	Deere Part No.	Description	Qty Req	Maize Price
1	57764M	AZ57764	<u>Side panel</u> , RH, alloy liner	1	235.00
2	57763M	AZ57764	<u>Side panel</u> , LH, alloy liner	1	235.00
3	73543M	AZ73543	<u>Deflector</u> , top rear, beveled for performance	1	27.50
4	76026M	Z76026	<u>Cover</u> , top rear	1	28.00
5	57745M	AZ57745	<u>Cover</u> , top rear, AR, steel	1	65.00
6	57801M	AZ57801	<u>Lid</u> , blower, AR, steel	1	168.00
7	73373M	Z73373	<u>Support bracket</u> , RH, heat treated	1	18.00
8	73372M	Z73372	<u>Support bracket</u> , LH, heat treated	1	18.00
9	73473M	Z73473	<u>Blower bottom</u> , high carbon steel	1	137.00
10	77599MS	Z77599	<u>Blower bottom</u> , with 1/8" chromium carbide hard surface	1	498.00
11	57802M	AZ57802	<u>Cover</u> , lower front	1	91.00
12	73731M	Z73731	<u>Deflector</u> , lower front, AR Steel	1	18.00
13	58161M	AZ58161	<u>Lid</u> , lower front, stainless steel hinges	1	43.00
14	57887M	AZ57887	<u>Chute</u> , blower inlet	1	168.00
15	57820M	AZ57820	<u>Frame</u> , blower bottom	1	245.00
16	58194M	AZ58194	<u>Chute</u> , outlet 250mm, includes hardsurfacing at lower end	1	935.00
17	82113M	Z82113	<u>Support</u>	1	97.00
18	20713M	Z20713	<u>Cover</u> , rear	1	17.50