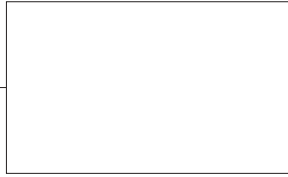


Page No.

1



2

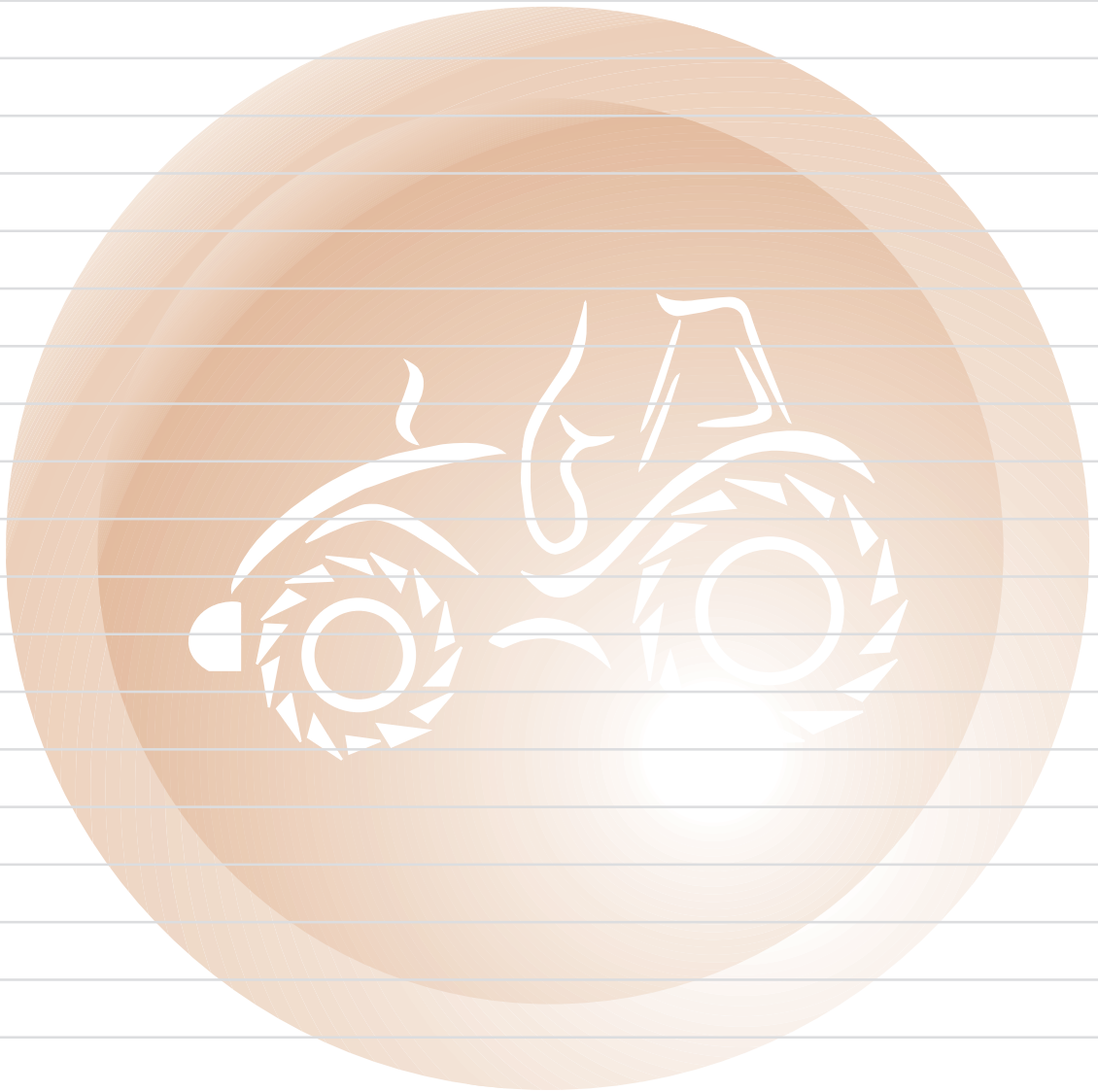


E & O.E.

Please see Index for alternative O.E. part numbers.

These parts are Sparex parts and are not manufactured by the Original Equipment Manufacturer. Original Equipment Manufacturers names, part numbers and descriptions are quoted for reference purposes only.

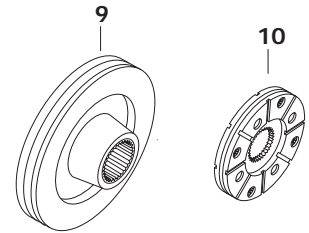
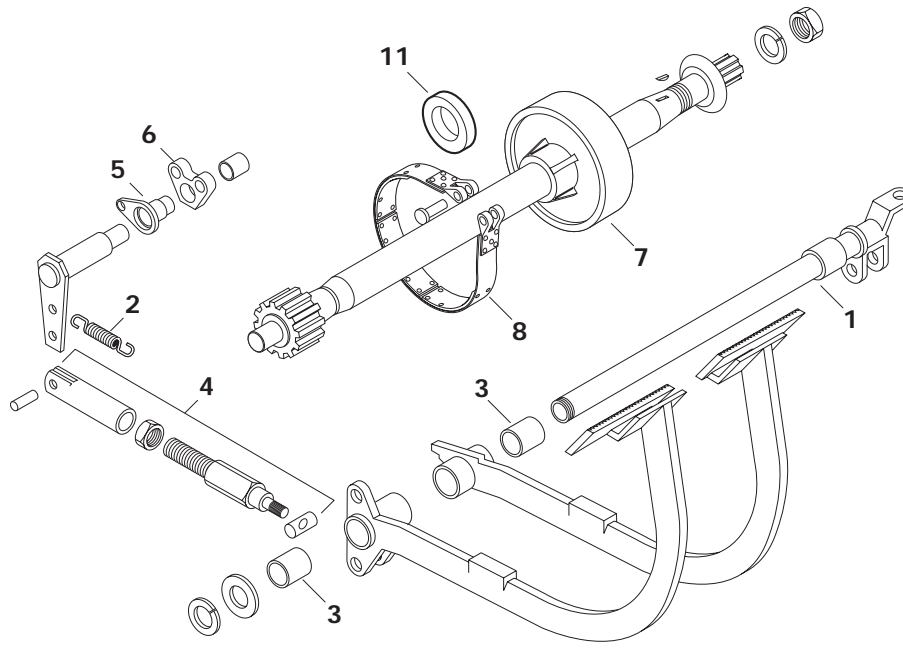
# NOTES



# FT6

Sparex Replacement  
Spare Parts

Dry Brakes &  
Related  
Components



	SPAREX No.	DESCRIPTION	EQUIVALENT	TRACTOR MODEL
1	<b>S.62569</b>	Shaft	4959313	<b>446, 450, 480, 500, 540, 550, 600, 640</b>
2	<b>S.62193</b>	Spring -Pedal	559627	<b>450, 480, 500, 540, 550, 600, 640</b>
2	<b>S.58970</b>	Spring -Pedal	5119832	<b>All 66 Series</b>
3	<b>S.62567</b>	Bush - Brake Pedal	4958508	<b>450, 480, 500, 540, 550, 600, 640</b>
3	<b>S.62402</b>	Bush - Clutch Pedal	4958507	<b>450, 480, 500, 540, 550, 600, 640</b>
4	<b>S.69881</b>	Brake Adjuster Assembly	4959315 + 4959411	<b>450, 480, 500, 540, 550, 600, 640</b>
5	<b>S.69884</b>	Bush - LH/RH	4980835	<b>450, 480, 500, 540, 550, 600, 640</b>
6	<b>S.69882</b>	Lever	5112680 4959354	<b>450, 480, 500, 540, 550, 600, 640</b>
7	<b>S.59111</b>	Brake Drum	562109	<b>411R, 415</b>
7	<b>S.62360</b>	Brake Drum	4980824	<b>446, 450, 480, 500, 540, 550, 600, 640</b>
8	<b>S.59112</b>	Brake Band	4966740 5161239	<b>411R, 415</b>
8	<b>S.62204</b>	Brake Band 180 x 50 x 6	5112676	<b>450, 480, 500, 540, 600</b>
8	<b>S.62205</b>	Brake Band 188 x 56 x 6	5112685	<b>446, 550, 640</b>
9	<b>S.62403</b>	Brake Disc 230 x 160 x 6mm (22 teeth)	5160738 44092218	<b>513R, 615, 650, 715, 750</b>
10	<b>S.59113</b>	Brake Disc	5160732 44905820	<b>460, 470, 474</b>
11	<b>S.62448</b>	Brake Seal (35 x 55 x 10)	40000382	<b>446, 450, 480, 500, 540, 550, 600, 640</b>
11	<b>S.50287</b>	Brake Seal (35 x 62 x 10)	44902197	<b>460, 470, 474</b>

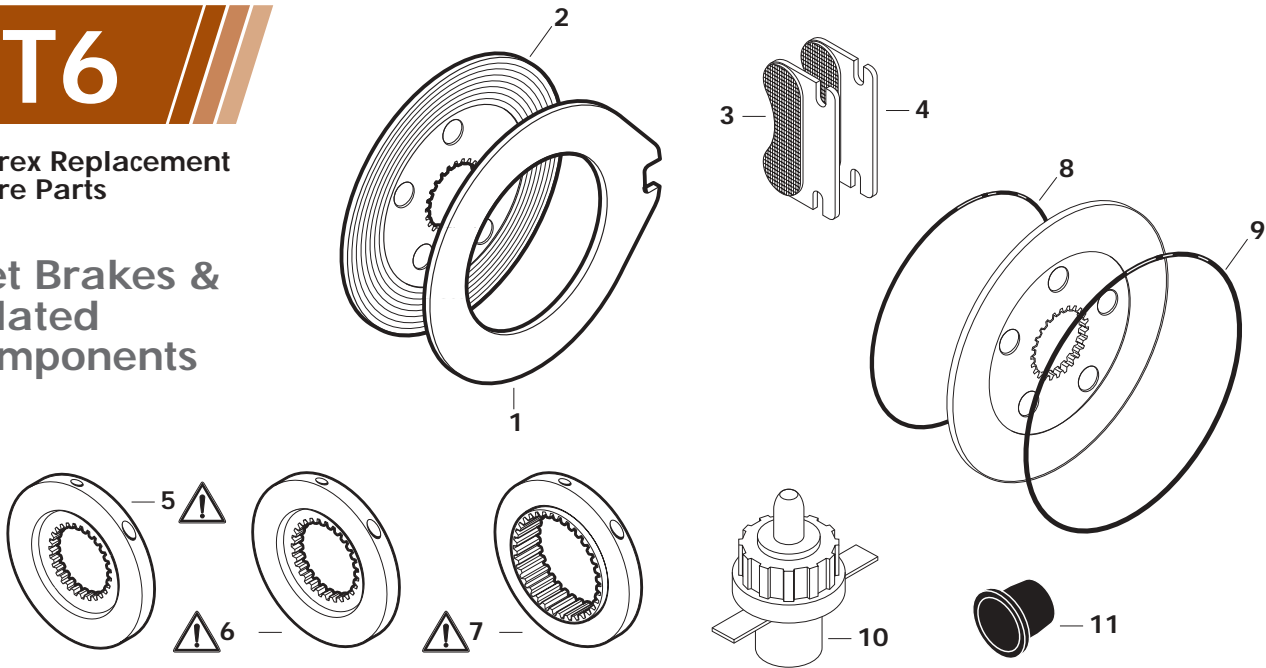
Please see Index for alternative O.E. part numbers.

These parts are Sparex parts and are not manufactured by the Original Equipment Manufacturer. Original Equipment Manufacturers names, part numbers and descriptions are quoted for reference purposes only.

# FT6

## Sparex Replacement Spare Parts

## Wet Brakes & Related Components



SPAREX No.	DESCRIPTION	EQUIVALENT	TRACTOR MODEL
1	<b>S.62207</b> Intermediate Brake Disc 171.7 x 94.3 x 2.65mm	5119327	466, 566, 666, 766, 45-66, 50-66, 55-66, 55-66F, 55-76F, 55-86F, 60-66, 60-66F, 60-76F, 62-86F, 65-66, 70-66, 70-66F, 70-76F, 72-86F, 80-66, 80-66F, 80-76F, 82-86F
2	<b>S.62206</b> Friction Brake Disc 165 x 41 x 4.8mm	5159830	466, 566, 666, 766, 45-66, 50-66, 55-66, 55-66F, 55-76F, 55-86F, 60-66, 60-66F, 60-76F, 62-86F, 65-66, 70-66, 70-66F, 70-76F, 72-86F, 80-66, 80-66F, 80-76F, 82-86F
2	<b>S.69930</b> Friction Brake Disc 261 x 50 x 10mm (14 teeth)	4997208	570, 580, 670, 680, 780, 55-90, 60-90, 60-93, 60-94, 65-90, 65-93, 65-94, 70-90, 72-93, 72-94, 80-90, 82-93, 82-94, 85-90, 88-93, 88-94, L60, L65, L75, L85, L95
2	<b>S.69926</b> Friction Brake Disc 304 x 65 x 10mm (14 teeth)	4993585	880, 880/5, 980, 90-90, 100-90, 110-90
2	<b>S.69931</b> Friction Brake Disc 365 x 62 x 10mm (13 teeth)	5102783	1180, 1280, 1380, 1580, 1880, 115-90, 130-90, 140-90, 160-90, 180-90
3	<b>S.62208</b> Brake Pad - Outer (Sintered one side)	5104773	All 80 Series
4	<b>S.62209</b> Brake Pad - Inner (Sintered both sides)	5104774	All 80 Series
5	<b>S.62210</b> Handbrake Disc - 70mm (26 teeth) Replacement part not as original	4995966	All 80 Series (Check Dimensions)
6	<b>S.62211</b> Handbrake Disc - 80mm (27 teeth) Replacement part not as original	4995685	All 80 Series (Check Dimensions)
7	<b>S.62212</b> Handbrake Disc - 105mm (34 teeth) Replacement part not as original	5112630	All 80 Series (Check Dimensions), 90-90, 100-90, 110-90
8	<b>S.59159</b> O Ring - Outer	5105534	580, 680, 780, 55-90, 60-90, 65-90, 70-90, 80-90, 85-90
8	<b>S.59160</b> O Ring - Outer	5105538	880, 880/5, 980, 90-90, 100-90, 110-90
8	<b>S.59161</b> O Ring - Outer	5109460	1180, 1280, 1380, 1580, 1880, 115-90, 130-90, 140-90, 160-90, 180-90
9	<b>S.59162</b> O Ring - Inner	5105536	580, 680, 780, 55-90, 60-90, 65-90, 70-90, 80-90, 85-90
9	<b>S.59163</b> O Ring - Inner	5105540	880, 880/5, 980, 90-90, 100-90, 110-90
9	<b>S.59164</b> O Ring - Inner	5109408	1180, 1280, 1380, 1580, 1880, 115-90, 130-90, 140-90, 160-90, 180-90
10	<b>S.62340</b> Switch - Handbrake	5131017	All 80, 90, 93, 94, F & L Series
11	<b>S.65374</b> Brake Boot	5117518	All 66 Series



**Only Sparex Service Split Hand Brake Discs.** These parts avoid the need to split the tractor, thus greatly reducing the repair costs. To establish the Disc required you need to measure the gear that the Disc fits. Only the outer pads are required with a split handbrake Disc.

Please see Index for alternative O.E. part numbers.

These parts are Sparex parts and are not manufactured by the Original Equipment Manufacturer. Original Equipment Manufacturers names, part numbers and descriptions are quoted for reference purposes only.