

Page No.

**Front Axle,
Steering
and Related
Components**

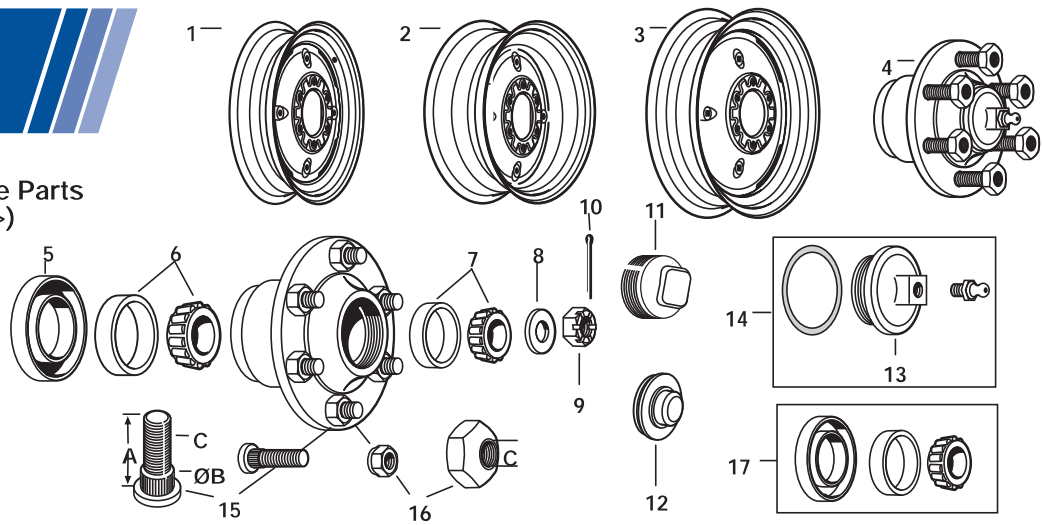
1-2	Rims, Hubs, Bearings and Related Components
3-5	Swept Front Axles, Spindles and Related Components
6-8	Adjustable Straight Axles, Spindles and Related Components
9	Industrial Spindle Kits, Manual Steering Box Seal and Bearing Kits
10	Manual Steering Box (Double Arm) and Related Components
11	Power Steering Box (Double Arm) and Related Components
12-13	Non-Orbital Steering Box (Single Arm) and Related Components
14	Orbital Power Steering Box (Single Arm) and Related Components
15-17	Pumps, Filters, Repair Kits and Related Components
18-19	Power Steering Cylinders and Repair Kits (2 or 4 Wheel Drive)
20	Drag Links (2 Wheel Drive) and Related Components
21	Tie Rods - Outer (2 Wheel Drive) and Related Components
22	Tie Rods - Inner (2 Wheel Drive) and Related Components
23-24	ZF Axle: APL 325
25-26	ZF Axle: APL 335
27-28	ZF Axle: APL 345, 350, 1351, 1551
29	Tie Rod Ends, Wheel Fenders (4 Wheel Drive w/ ZF Axles)
30-31	Wheel Hub (Carraro Axle)
32	Differential and Related Components (Carraro Axle)
33	Crown Wheel & Pinion (Carraro Axle)
34-36	Front Axle (Carraro Axle)
37	Tie Rods, Wheel Fenders (4 Wheel Drive w/ Carraro Axle)
38	Front Drive Shaft Components (County Tractors - 4 Wheel Drive)
39	Add-on Power Steering Kits

Legend: -> before date means "up to"
-> after date means "on"

These parts are Sparex parts and are not manufactured by the Original Equipment Manufacturer. Original Manufacturers' names, part numbers and descriptions are quoted for reference purposes only and are not intended to indicate or suggest that our replacement parts are made by the OEM.

Sparex Replacement Spare Parts for Ford/New Holland (65->)

Rims, Hubs, Bearings and Related Components



SPAREX No.	DESCRIPTION	EQUIVALENT	TRACTOR MODEL	
1	S.40286	Rim (4.50 x 16)	E6NN1007LA	
1	S.40287	Rim (5.50 x 16)	E6NN1007BA	
2	S.40289	Rim (8.00 x 16)		
3	S.40288	Rim (5.50 x 18)	E6NN1007CA	
4	S.65123	Hub Assembly Includes: Studs, Nuts, Hub Cap	C9NN1104F	2000, 3000, 4000SU, 2600, 3600, 3900, 4100, 4600SU, (2910, 3910 w/ Power Steering), 4610SU, Ind. 2110LCG, 231, 233, 333, 4110 LCG, 531
4	S.65124	Hub Assembly Includes: Studs, Nuts, Hub Cap	C9NN1104E	(4000 except 4200 Rowcrop), 4600, 2310, 2610, 2810, (2910, 3910 Manual Steering), 4110, 4610, 3230, 3930, 4130, 4630, 4830, 5030, Ind. 230A, 234, 334, 335, 530A
4	S.65125	Hub Assembly Includes: Studs, Nuts, Hub Cap	C9NN1104D	(5000, 7000 except Rowcrop), 5900, 5600, 6600, 6700, 7600, 7700, 5610, 6610, 6710, 6810, 7610, 7710
5	S.62292	Seal (91.5mm x 50 x 12mm)	4951077	(3430, 3930, 4130 6/94->), 4430, (4630, 4830, 5030 6/94->), 4835, 5635, 6635, 7635, TN65F, TN75F, TN90F
5	S.60773	Seal	NCA1190A CONN1190B	(3600 w/ 6.0 x 15 Wheels), 3610, 4200 Rowcrop, 4600SU, 4610SU, 6600 Rowcrop, 7600 Rowcrop
5a	S.04791	Seal - Steel (2 3/4 OD x 1 11/16 ID)	957E1190A	2000, 3000, 4000SU, 2600, (3600 except w/ 6.0x15 wheel), 3900, 4100, 2310, 2610, 2810, 2910, 4110
5b	S.04233	Seal - Rubber Coated (2 5/8 OD x 1 13/16 ID)	310195	(4000 except Rowcrop), (4600 All Purpose only), 2310, 2610, 2810, 2910, 3910, 4110, 4610, (3230, 3430, 3930, 4130, 4630, 4830, 5030 ->6/94), Ind. 234, 334, 335, 530A
5c	S.04234	Seal (3 OD x 2 1/16 ID)	D8NN1190CA	5000, 7000, 5600, 5900, 6600, 6700, 7600, 7700, (5610, 6610, 6710, 6810, 7610, 7710 ->9/89), 7810, 7910, 8210, 5640, 6640, 7740, 7840, TS90, TS100, TS110
6a	S.02975	Wheel Bearing Assy - Inner Includes: Cone & Roller #LM67048, Cup #LM67010	D5NN1201A 36726 D5NN1202A 36723	2000, 3000, 4000SU, 2600, 3600, 3900, 4100, 4600SU Ind. 231, 233, 333, 531
6b	S.02971	Wheel Bearing Assy - Inner Includes: Cone & Roller #LM48548, Cup #LM48510	C1VV1201A 48977 C1VV1202A 48976	4000, 4600, 2310, 2610, 2810, 2910, 3610, 3910, 4110, Ind. 230A, 234, 334, 335, 530A
6c	S.04235	Wheel Bearing Assy - Inner Includes: Cone & Roller #LM501349, Cup #LM501310	WAA4221A 67370 WAA4222A 67371 5132342	(5000, 7000 except w/ 8.00 x 16 Wheels), 5600, 5900, 6600, 6700, 7600, 7700, 5610, 6610, 6710, 6810, 7610, (7710 except HD Axle), 7910, 8210, 5640, 6640, 7740, 7840 (3430, 3930, 4130, 4430 Orchard, 4630, 5030 6/94->), 5635, 6635, 7635, TN65F, TN75F, TN90F
7	S.18509	Wheel Bearing Assy - Outer Includes: Cone & Roller M84548, Cup M44510	5132343 ZP0750117386	(3430, 3930, 4130, 4430 Orchard, 4630, 5030 6/94->), 5635, 6635, 7635, TN65F, TN75F, TN90F
7a	S.02972	Wheel Bearing Assy - Outer Includes: Cone & Roller #LM11949, Cup #LM11910	D5NN1216A 36724 D5NN1217A 36725	2000, 3000, 4000, 4000SU, 2600, 3600, 3900, 4100, 4600, 4600SU, 2310, 2610, 2810, 2910, 3610, 3910, 4110, Ind. 230A, 231, 233, 234, 333, 334, 335, 3400, 530A, 531

These parts are Sparex parts and are not manufactured by the Original Equipment Manufacturer. Original Manufacturers' names, part numbers and descriptions are quoted for reference purposes only and are not intended to indicate or suggest that our replacement parts are made by the OEM.

Sparex Replacement Spare Parts for Ford/New Holland (65->)

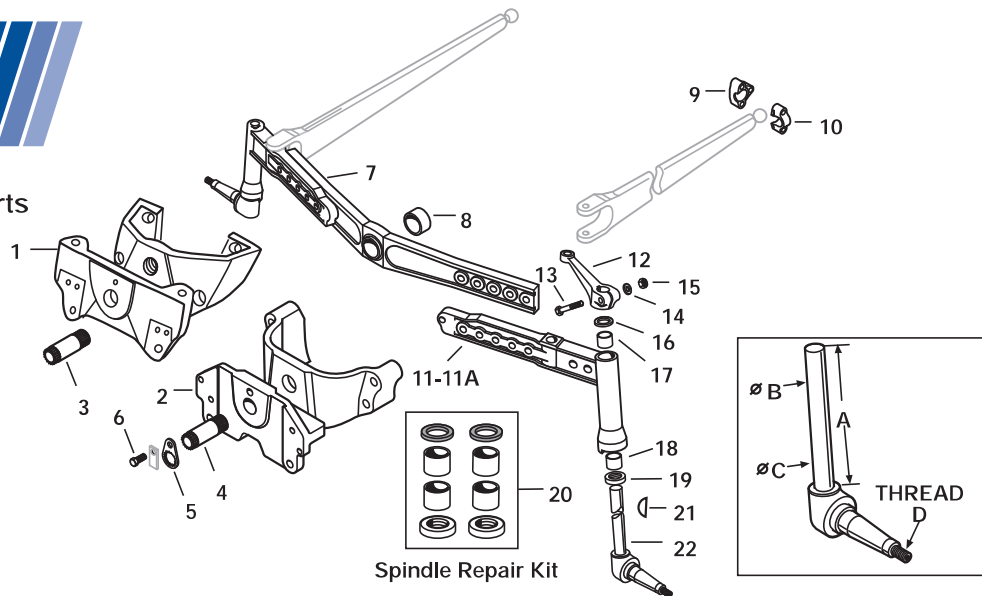
SPAREX No.	DESCRIPTION	EQUIVALENT	TRACTOR MODEL
7b	S.04236 Wheel Bearing Assy - Outer Includes: Cone & Roller #LM12649, Cup #LM12610	C1VV1216A 63680 C1VV1217A 605156	(5000, 7000 except w/ 8.00 x 16 Wheels), 5600, 5900, 6600, 6700, 7600, 7700, 5610, 6610, 6710, 6810, 7610, (7710 except HD Axle), 7910, 8210, 5640, 6640, 7740, 7840
8	S.11222 Tab Washer		
9	S.40213 Slotted Nut (3/4" - 16)	387930S36 354573S36	Most Models
10	S.01501 Cotter Key	72054S	Most Models
11	S.65132 Hub Cap - Pressed Steel No Grease Zerk	2N1139B	(4200, 5200, 7200 Rowcrop), 4600SU, 4610SU, Ind. 30A, 231, 2110, 4110 LCG, 2530A, 531
11	S.65133 Hub Cap - Pressed Steel, Threaded, No Grease Zerk	C5NN1130A	(5000, 7000 except w/ 8.00 x 16 Wheels), 5600, 5900, 5600, 6700, 7600, 7700, (5610, 6610, 6710, 6810, 7610, 7710 ->10/89)
12	S.61199 Hub Cap	4957312	(3430, 3930, 4130 6/94>), 4430, (4630, 4830, 5030 6/94->), 4835, 5635, 6635, 7635, TN65F, TN75F, TN90F
13	S.65128 Hub Cap - Cast, w/ Grease Zerk	957E1139	2000, 3000, 4000, 2600, 3600, 3900, 4100, 4600, 2310, 2610, 2810, 2910, 3610, 3910, 4110, 4610, (3230, 3430, 3930, 4130, 4630, 4830, 5030 >5/94), Ind. 233, 234, 333, 334, 335
13	S.65129 Hub Cap - Cast, w/ Grease Zerk	C5NN1130A	Alternative to S.65133
14	S.65130 Hub Cap Kit - Contains: Cap, Gasket, Grease Zerk		Alternative to S.65128, S.65132
14	S.65131 Hub Cap Kit - Contains: Cap, Gasket, Grease Zerk		Alternative to S.65129, S.65133
15	S.04948 Bolt - w/ 6 Bolt Hub A=1.72" B=.62" C=1/2" UNF	81816580 C5NN1107F	(2000, 3000, 4000, 5000, 7000 10/70->), 2600, 3600, 3900, 4100, 4600, 5600, 5900, 6600, 6700, 7600, 7700, 8000, 8600, 8700, 9000, 9600, 9700, TW5, TW10, TW20, TW25, TW30, TW35, 2310, 2610, 2810, 2910, 3610, 3930, 4130, 4330, 4630, 4830, 5030, 8530, 8630, 8730, 8830, 4835, 5635, 6635, 5640, 6640, 7740, 7840, TN65F, TN75F, TN90F, Ind. 230A, 231, 233, 234, 250C, 260C, 333, 334, 335, 340, 340A, 340B, 3400, 345C, 345D, 420, 445, 445A, 445C
16	S.05938 Nut (1/2" UNF)	C5NN1012B	Same as Above
17	S.04792 Wheel Bearing Kit 1x Seal (S.04791) 5a 1x Inner Bearing (S.02975) 6a 1x Outer Bearing (S.02972) 7a		2000, 3000, 4000SU, 2600, 3600, 4100, 4600SU
17	S.04237 Wheel Bearing Kit 1x Seal (S.04233) 5b 1x Inner Bearing (S.02971) 6b 1x Outer Bearing (S.02972) 7a		4000, 4600, 2310, 2610, 2810, 2910, 4110, Ind. 230A, 234, 335, 530A
17	S.04238 Wheel Bearing Kit 1x Seal (S.04234) 5c 1x Inner Bearing (S.04235) 6c 1x Outer Bearing (S.04236) 7b		5000, 7000, 5600, 5900, 6600, 6700, 7600, 7700, 5610, 6610, 6710, 6810, 7610, 7710, 7910, 8210, 5640, 6640, 7740, 7840
17	S.59018 Wheel Bearing Kit 1x Seal (S.62292) 5 1x Inner Bearing (S.04235) 6c 1x Outer Bearing (S.18509) 7		(3430, 3930, 4130 6/94), 4430, (4630, 4830, 5030 6/94), 4835, 5635, 6635, 7635, TN65F, TN75F, TN90F
17	S.67455 Front Wheel Bearing Kit (NOTE: Check Bearing & Cup numbers before ordering)	8L4221/312518 25590/25520 312520/312548 02474/02420 E4NN1190AA	(5000, 7000 72-> w/ 8 x 16 Wheel), 8000, 8600, 8700, 9000, 9600, 9700, (TW10, TW20, TW30 less Heavy Duty), (5610, 6610, 6710, 7610, 7710/10/89-> w/ Heavy Duty Axle), Ind. 3400, 3550, 4400, 4500, 335, 340, 340A, 340B, 345C, 345D, 420, 445, 445A, 445C, 445D, 515, 535, 540, 540A, 540B, 545, 545A
17	S.67456 Front Wheel Bearing Kit	NAA42224A/ 9N4222 BB120177EQ1217 2788/2720 E4NN1190AA 3780/3720	(TW10, TW20, w/ 8-Bolt Hub), TW5, TW15, TW25, TW35, 8530, 8630, 8730, 8830

These parts are Sparex parts and are not manufactured by the Original Equipment Manufacturer. Original Manufacturers' names, part numbers and descriptions are quoted for reference purposes only and are not intended to indicate or suggest that our replacement parts are made by the OEM.

F2

Sparex Replacement Spare Parts for Ford/New Holland (65->)

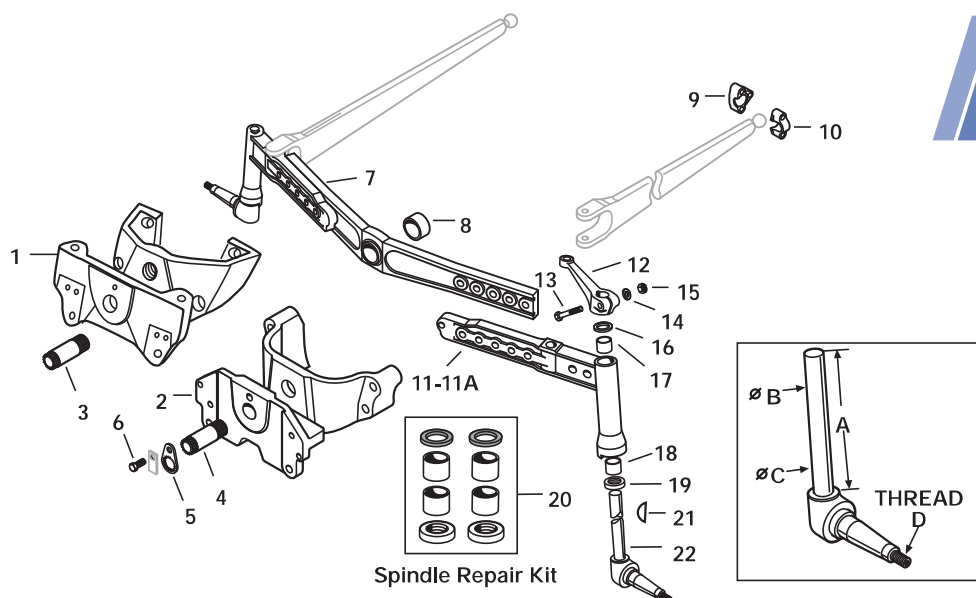
Swept Front Axles, Spindles and Related Components



SPAREX No.	DESCRIPTION	EQUIVALENT	TRACTOR MODEL
1	S.60008 Support (1 3/4" Pin Hole)	C5NN3A042G	(2000, 3000, 4000SU, Ind. 2110LCG, 4110LCG 65-7/70)
2	S.60438 Support (2" Pin Hole)	E8NN3A042BA D3NN3A042D	(2000, 3000, 4000SU 8/70->), (2600, 3600, 3900, 4100, 4600SU, 2310, 2610, 2810, 2910, 3610, 3910, 4110, 4610SU less Cab), Ind. 230A, 231, 234, 334, 530A, 531, 2110, 4110
3	S.67553 Pin - Solid (No Hole!) (1 3/4" Dia)	C5NN3127B	(2000, 3000 4000SU, Ind. 2110LCG, 4110LCG 65-7/70)
4	S.65949 Pin - Solid (No Hole!) (2" Dia)	C7NN3127D	2000, 3000, 4000SU 8/70->), (2600, 3600, 3900, 4100, 4600SU, 2310, 2610, 2810, 2910, 3610, 3910, 4110, 4610SU less Cab), Ind. 230A, 231, 234, 334, 530A, 531, 2110, 4110
5	S.60465 Flange Washer	C5NN3128B	2000, 3000, 4000SU, 2600, 3600, 3900, 4100, 4600SU, 2310, 2610, 2810, 2910, 3610, 3910, 4110, 4610SU, Ind. 230A, 231, 234, 334, 530A, 531, 2110LCG, 4110LCG
6	S.08938 Bolt (1/2" x 1 1/4" UNC)	304726S36	Same as Above
7	S.60434 Center Axle (Use w/ 2" Dia Pin)	C7NN3010F	(2000, 3000, 4000SU 8/70->), 2600, 3600, 3900, 4100, 4600SU, 2310, 2610, 2810, 2910, 3610, 3910, 4110, 4610SU, Ind. 230A, 231, 234, 334, 530A, 531, 2110LCG, 4110LCG
8	S.66014 Bushing (2" Pin)	C7NN3153B	Same as Above
9	S.60458 Socket - Radius Rod Ball	E0NN3N442BA	2000, 3000, 4000SU, 2600, 3600, 3900, 4100, 4600SU, 2310, 2610, 2810, 2910, 3610, 3910, 4110, 4610SU, Ind. 230A, 231, 234, 334, 340, 530A, 531, 540, 2110LCG, 4110LCG
10	S.60459 Cap - Radius Rod Ball	E0NN3N406BA	Same as Above
11	S.60286 Axle Assembly w/ Bushing - RH	C7NN3006J	(2000, 3000, 4000SU 8/70->), 2600, 3600, 3900, 4100, 4600SU
11a	S.60287 Axle Assembly w/ Bushing - LH	C7NN3007J	Same as Above
11	S.66762 Axle Assembly w/ Bushing - RH (1 1/2" ID Lower Bushing)	E0NN3006BA	2310, 2610, 2810, 2910, 3610, 3910, 4110, 4610SU (Ind. 234, 334, less Cab)
11a	S.66763 Axle Assembly w/ Bushing - LH (1 1/2" ID Lower Bushing)	E0NN3007BA	Same as Above
12	S.61832 Spindle Arm - LH/RH	310799	2000, 3000, 4000SU, 2600, 3600, 3900, 4100, 4600SU, 2310, 2610, 2810, 2910, 3610, 3910, 4110, 4610SU, Ind. 230A, 231, 233, 234, 333, 334, 335, 530A, 531
13	S.53797 Bolt - Steering Arm (7/16" x 2 1/4")	304862S36	Same as Above
14	S.01067 Lockwasher (7/16")		Same as Above
15	S.01072 Nut (7/16")	34670S36	Same as Above
16	S.65140 Seal - Spindle (1 3/4" x 1 1/4" x 3/16")	C5NN3125A	Same as Above

Sparex Replacement Spare Parts
for Ford/New Holland (65->)

Swept Front Axles, Spindles and Related Components



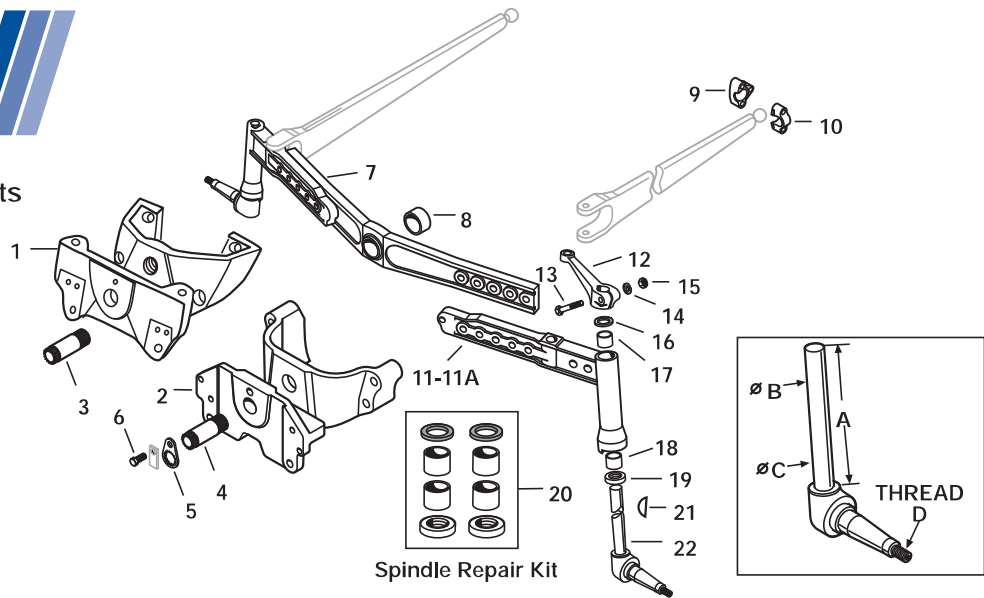
SPAREX No.	DESCRIPTION	EQUIVALENT	TRACTOR MODEL
16	S.65141 Seal - Spindle (1 7/8" x 1 1/2" x 1/4")	CONN3A208A	Ind. 3400, 335, 532
16	S.65142 Seal - Spindle	D4NN3125B	(2600, 3600, 4100, 2310, 2610, 2810, 2910, 3610, 3910, 4110 w/ Cab), (Ind. 230A, 233, 234, 333, 334, 335, 530A w/ Cab)
17	S.65116 Bushing - Upper	2N3109 957E3109B	2000, 3000, 4000SU, 2600, 3600, 3900, 4100, 4600SU, 2310, 2610, (2810, 2910, 3610, 3910, 4110, 4610SU, Ind. 230A, 231, 233, 234, 333, 334, 335, 530A, 531 2110LCG, 4110LCG less Cab)
17	S.65117 Bushing - Upper	NCA3110A 957E3110B	(2600, 3600, 4100 w/ Cab), (2310, 2610, 2810, 2910, 3610, 3910, 4110 w/ Q Cab UK), Ind. (233, 234, 333, 334, 335 w/ Cab)
18	S.65117 Bushing - Lower	NCA3110A 957E3110B	2000, 3000, 4000SU, (2600, 3600, 3900, 4100, 4600SU less Cab), (2600, 3600, 4100 w/ Cab), (2310, 2610, 2910, 3610, 3910 Manual Steering less Cab), Ind. (230A, 231, 233, 333, 531 Manual Steering less Cab), (233, 333 w/ Cab)
18	S.65118 Bushing - Lower	C5NN3110B	(2310, 2610, 2810, 2910, 3610, 3910, 4110, 4610SU w/ Power Steering) Ind. (230A, 234, 334, 335, 530A w/ Power Steering)
19	S.65120 Thrust Bearing	C0NN3123B	2000, 3000, 4000SU, 2600, 3600, 3900, 4100, 4600SU, (2310, 2610, 3910, 4110, 4610SU w/ Power Steering less Cab 81-9/82), Ind. 233, 234, 334, 335
19	S.65121 Thrust Bearing	C5NN3A299A	(2310, 2610, 2910, 3610, 3910, Manual Steering less Cab 81-9/84), (2310, 2610, 3610, 4110, 4610SU w/ Power Steering less Cab or Lo-Profile Cab 81-2/87)
20	S.65107 Spindle Repair Kit - Contains: 2 x S.65116 Bushing 2 x S.65117 Bushing 2 x S.65120 Bearing 2 x S.65140 Seal		2000, 3000, 4000SU, 2110LCG, 4110LCG, (2600, 3600, 3900, 4100, 4600SU less Cab)
20	S.65110 Spindle Repair Kit - Contains: 4 x S.65117 Bushing 2 x S.65120 Bearing 2 x S.65142 Seal		(2600, 3600, 4100 w/ Cab)
20	S.65108 Spindle Repair Kit - Contains: 2 x S.65116 Bushing 2 x S.65118 Bushing 2 x S.65121 Bearing 2 x S.65140 Seal		2310, 2610, 2910, 3610, 3910, 4110, 4610SU, Ind. (230A, 234, 334, 335, 530A w/ Power Steering)
21	S.02915 Woodruff Key (1/4" x 7/8")	74181S	2000, 3000, 4000SU, 2600, 3600, 3900, 4100, 4600SU, 2310, 2610, 2810, 2910, 3610, 3910, 4110, 4610SU, Ind. 230A, 231, 234, 334, 530A, 531, 2110LCG, 4110LCG

These parts are Sparex parts and are not manufactured by the Original Equipment Manufacturer. Original Manufacturers' names, part numbers and descriptions are quoted for reference purposes only and are not intended to indicate or suggest that our replacement parts are made by the OEM.

F2

Sparex Replacement Spare Parts
for Ford/New Holland (65->)

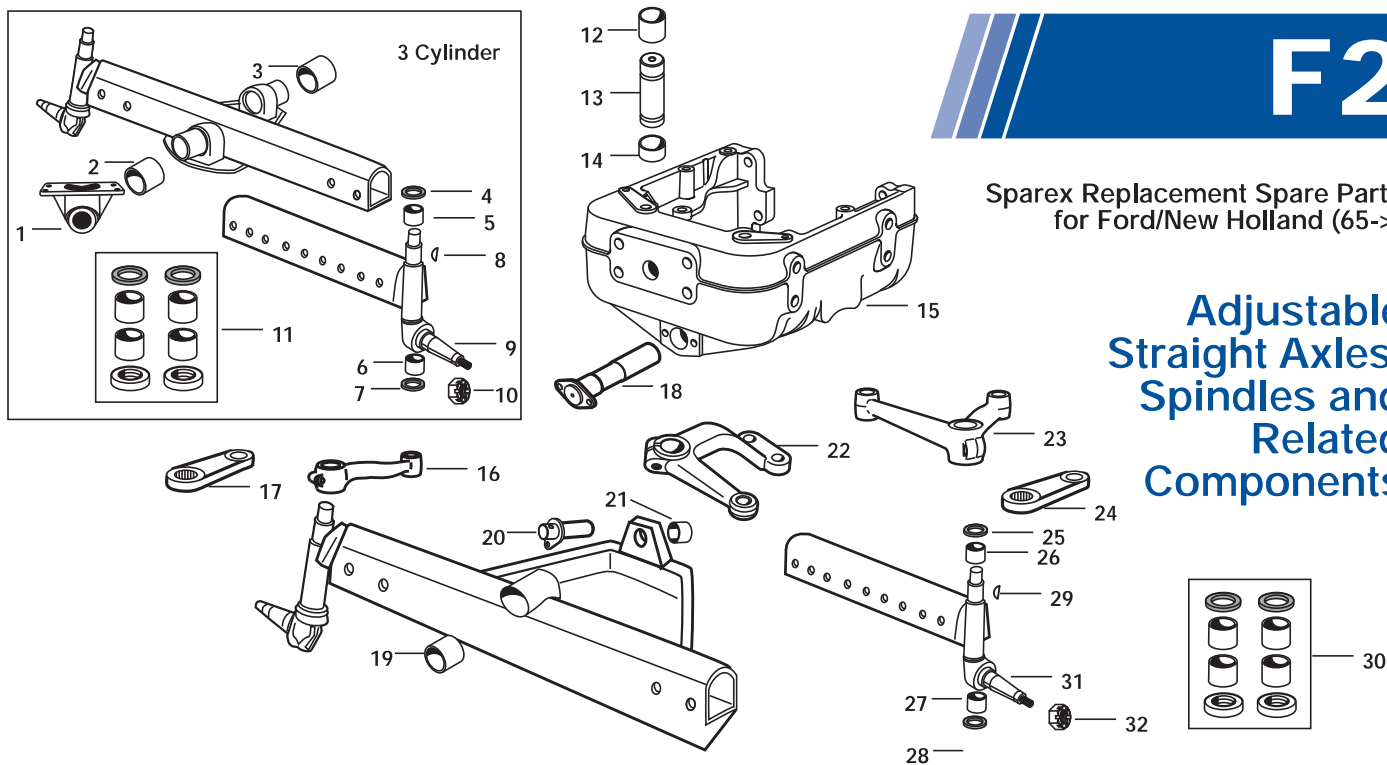
Swept Front Axles, Spindles and Related Components



SPAREX No.	DESCRIPTION	EQUIVALENT	TRACTOR MODEL
22	S.16626 Spindle - LH A=11.75", B=1.250", C=1.34", D=.75"	F2NN3106AA C5NN3106R	2000, 3000, 4000SU, 2600, 3600, 3900, 4100, 4600SU, (2310, 2610, 3610, 3910, 4110, 4610SU w/ Power Steering less Cab 81-9/82) Ind. 233, 234, 334, 335
22	S.16627 Spindle - RH	F2NN3105AA C5NN3105U	Same as Above
22	S.65073 Spindle - LH A=12.00", B=1.34", C=1.34", D=.75"	D4NN3106B	(2600, 3600, 4100, Ind. 233, 333 w/ Cab)
22	S.65083 Spindle - RH	D4NN3105B	Same as Above
22	S.60674 Spindle - LH A=11.75", B=1.125", C=1.47", D=.75"	E0NN3106AA	(2310, 2610, 2910, 3610, 3910, Manual Steering less Cab 81-9/84), (2310, 2610, 3610, 4110, 4610SU w/ Power Steering less Cab or Lo-Profile Cab 81-2/87)
22	S.60673 Spindle - RH	E0NN3105AA	Same as Above
22	S.65753 Spindle - LH A=7.625", B=1.23", C=1.34", D=.75"	F2NN3106CA C1NN3106A	2110LCG, 4110LCG, 2910LCG, Ind. 230A, 231, 530A, 531
22	S.65754 Spindle - RH	F2NN3105CA C1NN3105A	Same as Above
22	S.65755 Spindle - LH A=7.26", B=1.25", C=1.34", D=.75"	F2NN3106BA E6NN3106BA	(230A, 530A, 2910LCG HD 3/87-> Double Keyway)
22	S.65756 Spindle - RH	F2NN3105BA E6NN3105BA	Same as Above

Sparex Replacement Spare Parts
for Ford/New Holland (65->)

Adjustable Straight Axles, Spindles and Related Components



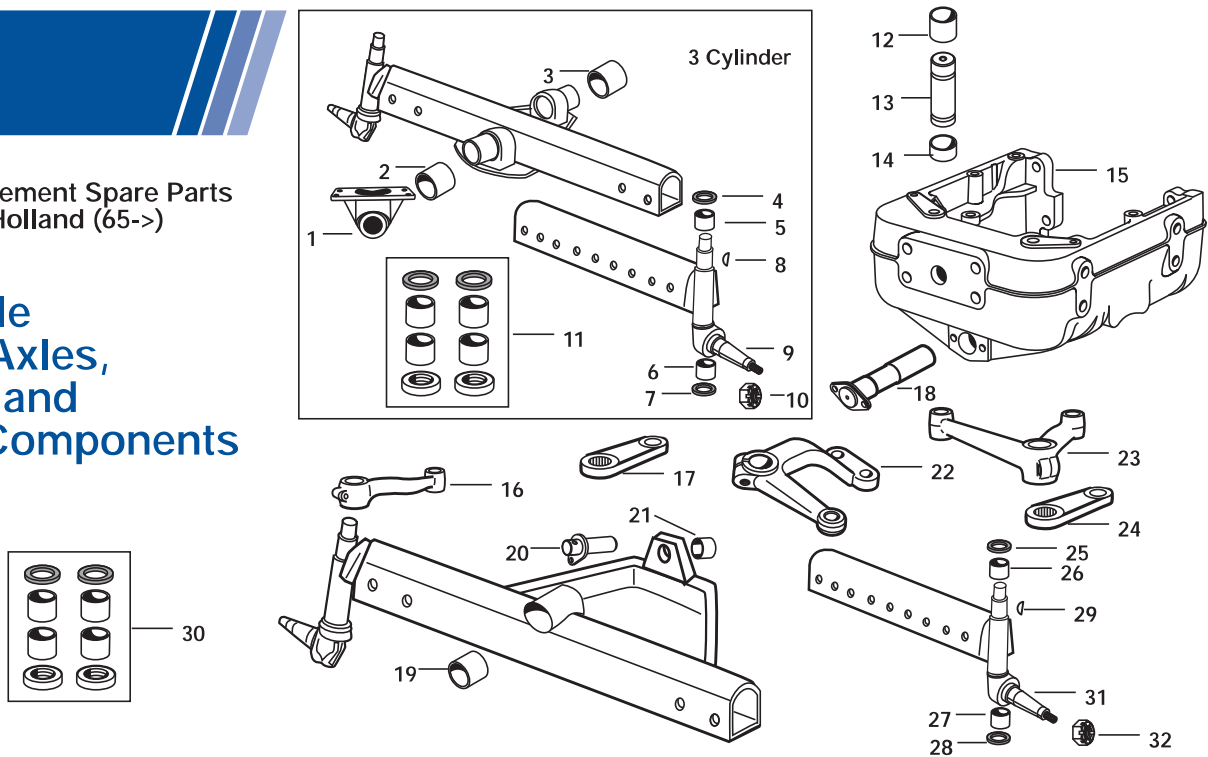
SPAREX No.	DESCRIPTION	EQUIVALENT	TRACTOR MODEL
1	S.66513 Front Axle Bracket - less Bushing	C5NN3N050B	4000, 4600, 4610, (3230, 3430, 3930, 4130, 4630, 4830, 5030 6/94->)
2	S.66708 Bushing - Axle Bracket	C5NN3N052A	Same as Above
3	S.66942 Bushing - Rear Pin	C5NN3N443A	Same as Above
4	S.65141 Seal - Spindle	C0NN3A208A	3010S, Ind. 335, 3400, 532
4	S.65140 Seal - Spindle	C5NN3125A	4000
4	S.65143 Seal - Spindle	D4NN3125A	4600, 4610, 3230, 3430, 3930, 4130, 4630
5	S.65115 Bushing - Upper	C5NN3109A	3010S
5	S.65116 Bushing - Upper	2N3109 957E3109B	4000
5	S.65118 Bushing - Upper	C5NN3110B	4600, 4610, (3230, 3430, 3930, 4130, 4630 3/90-5/93)
6	S.65119 Bushing - Lower	C5NN3110A	3010S
6	S.65118 Bushing - Lower	C5NN3110B	4000, 4600, 4610, (3230, 3430, 3930, 4130, 4630 3/90-5/93)
7	S.65122 Thrust Bearing	138712 C0NN3A299A	3010S, Ind. 340, 3400, 335, 532, 540
7	S.65121 Thrust Bearing	C5NN3A299A	4000, 4600, 4610, 3230, 3430, 3930, 4630
8	S.02918 Woodruff Key (1/4" x 1 1/4")	74188S8	4000, Ind. 340, 540
8	S.65093 Woodruff Key (5/16" x 1 1/2")	74195S	3010S, 4600, 4610
9	S.16474 Spindle - LH A=12.06", C=1.125", C=1.470", D=.75"	C5NN3106N	(4000 All purpose only)
9	S.16475 Spindle - RH	C5NN3105T	Same as Above
9	S.16476 Spindle - LH A=12.19", B=1.47", C=1.47", D=.75"	D4NN3106A	(4600, 4610 All purpose only)
9	S.16477 Spindle - RH	D4NN3105A	Same as Above
10	S.40213 Slotted Nut (3/4" UNF)	387930S36	All Models

These parts are Sparex parts and are not manufactured by the Original Equipment Manufacturer. Original Manufacturers' names, part numbers and descriptions are quoted for reference purposes only and are not intended to indicate or suggest that our replacement parts are made by the OEM.

F2

Sparex Replacement Spare Parts for Ford/New Holland (65->)

Adjustable Straight Axles, Spindles and Related Components



SPAREX No.	DESCRIPTION	EQUIVALENT	TRACTOR MODEL
11	S.65108 Spindle Repair Kit - Contains: S.65116 x 2, S.65118 x 2, S.65121 x 2, S.65140 x 2		4000
11	S.65111 Spindle Repair Kit - Contains: S.65118 x 4, S.65121 x 2, S.65143 x 2		4600, 4610
12	S.65779 Bushing - Steering Shaft - Upper (1" Long)	C5NN3179A	(5000 65-1/66), Ind. (4400 65-1/66), 4500
12	S.65748 Bushing - Steering Shaft - Upper (1 3/8" Long)	C5NN3179B	(5000 2/66->), 7000, 5600, 5900, 6600, 7600, 5610, 6610, 7610, Ind. (4400 2/66->), 515
13	S.65179 Steering Shaft (4 1/4" Long)	C5NN3N703C	(5000 6/66->), 7000, 5600, 5900, 6600, 7600, 5610, 6610, 7610, Ind. (4400 2/66->), 515
14	S.65779 Bushing - Steering Pin - Lower (1" Long)	C5NN3179A	5000, 7000, 5600, 5900, 6600, 7600, 5610, 6610, 7610, Ind. 4400, 4500, 515, 535
15	S.60406 Support - less Bushings	E5NN3029BA	(5000 9/70->), 7000, 5600, 5900, 6600, 7600, 5610, 6610, 7610
16	S.66020 Steering Arm - RH	C5NN3130J	(5000, 5600, 6600, 5610, 6610 Manual Steering Only)
17	S.66754 Steering Arm - RH	82003634 E9NN3130AB	5640, 6640, 7740, 7840, 8240, TS90, TS100, TS110
18	S.11553 Pin - Front Axle to Support	C5NN3N159A	5000, 7000, 5600, 5900, 6600, 7600, (5610, 6610, 7610, 2 wd, 4 wd 81-4/84), Ind. 3500, 3550, 4400, 420, 515
18	S.66489 Pin - Front Axle to Support	82003062 F0NN3126AA	(5640, 6640, 7740, 7840, 8240, 8340 2 wd only)
19	S.65150 Bushing - Front Pin	C5NN3153A	5000, 7000, 8000, 8600, 8700, 9000, 9600, 9700, TW5, TW10, TW20, TW25, TW30, TW35, 5600, 5900, 6600, 6700, 7600, 7700, 5610, 6610, 6710, 6810, 7810, 7810S, 7910, 8210, 8530, 8630, 8730, 8830, 5640, 6640, 7740, 7840, 8240, 8340, Ind. 3500, 3550, 4400, 420, 515
20	S.11554 Pin - Rear - Front Axle to Oil Pan	C5NN3N160A	5000, 7000, 5600, 5900, 5600, 7600, 6610, 6610, 7610, (5610, 6610, 7610 4 wd 81-4/84)
21	S.65151 Bushing - Rear Pin	C5NN3446A	5000, 7000, 5600, 5900, 6600, 7600, 5610, 6610, 6810, 7610, 7810
21	S.65150 Bushing - Rear Pin	C5NN3153A	5640, 6640, 7740, 7840, 8240, 8340
22	S.65741 Steering Arm	D6NN3N670A	(5000 9/70->), 7000, 5600, 5900, 6600, 7600, 5610, 6610, 7610
23	S.66021 Steering Arm - LH	C5NN3131J	5000, 5600, 6600, 5610, 6610, Manual Steering
24	S.66755 Steering Arm - LH	82003635 E9NN3131AA	5640, 6640, 7740, 7840, 8240, TS90, TS100, TS110

Adjustable Straight Axles, Spindles and Related Components

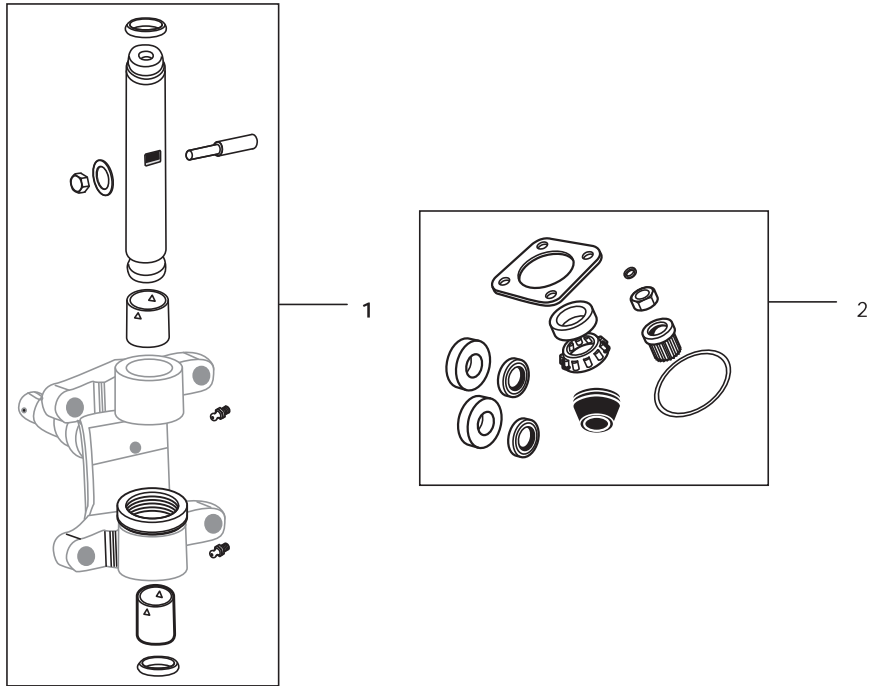
SPAREX No.	DESCRIPTION	EQUIVALENT	TRACTOR MODEL	
25	S.65141	Seal - Spindle	C0NN3A208A	5000, 7000, (8000, 9000 68-8/68), 5600, 5900, 6600, 7600, 3010S, 5610, 6610, 7610, 7810
25	S.66756	Seal - Spindle	D9NN3A208AA	8000, 8600, 8700, 9000, 9600, 9700, TW5, TW10, TW15, TW20, TW25, TW30, TW35, 6700, 7700, 6710, 7710, 7810, 7910, 8530, 8630, 8830, TS90, TS100, TS110
26	S.65115	Bushing - Upper	C5NN3109A	5000, 7000, 8000, 8600, 9000, 9600, 5600, 5900, 6600, 7600, 3010S, 5610, 5610S, 6610, 6610S, 6810, 7610, 7610S, 7810, 7810S
26	S.66607	Bushing - Upper	D5NN3109B	8700, 9700, TW5, TW10, TW15, TW20, TW25, 6700, 7700, 6710, 7710, 7810, 7910, 8530, 8630, 8730, 8830, 5640, 6640, 7740, 8240, 8340, TS90, TS100, TS110
26	S.65118	Bushing - Upper	C5NN3110B	4830, 5030
27	S.65119	Bushing - Lower	C5NN3110A	5000, 7000, 5600, 6600, 7600, 3010S, 5610, 5610S, 6610, 6610S, 7610, 7610, 7810, 7810S
27	S.66316	Bushing - Lower	C0NN3110A	8000, 8600, 8700, 9000, 9600, 9700, TW5, TW10, TW15, TW20 TW25, 6700, 7700, 6710, 7710, 7810, 7910, 8210, 8530, 8630, 8730, 8830, 5640, 6640, 7740, 8240, 8340, TS90, TS100, TS110
27	S.65118	Bushing - Lower	C5NN3110B	4830, 5030
28	S.65122	Thrust Bearing	C0NN3A299A 138712	5000, 7000, 8000, 8600, 8700, 9000, 9600, 9700, TW5, TW10, TW15, TW20, TW25, TW30, TW35, 5600, 5900, 6600, 6700, 7600, 7700, 3010S, 5610, 6610, 6610S, 6810, 7610, 7810, 7910, 8210, 8530, 8630, 8730, 8830, 5640, 6640, 7740, 8240, 8340, TS90, TS100, TS110
28	S.65120	Thrust Bearing	C0NN3123B C5NN3A299A	4830, 5030
29	S.65093	Woodruff Key (5/16" x 1 1/2")	74195S	5000, 7000, 8000, 8600, 9000, 9600, 5600, 5900, 6600, 7600, 5610, 6610, 6610, 7610, 7810
30	S.65109	Spindle Repair Kit - Contains: 2 x S.65115, 2 x S.65119, 2 x S.65122, 2 x S.65141	C5NN3110B	5000, 7000, 5600, 5900, 6600, 7600, 3010S, 5610, 6610, 7610, 7810
31	S.16285	Spindle - LH A=10.69", B=1.641", C=1.75", D=.75"	C5NN3106J	(5000, 7000, 5600, 5900, 6600, 7600, 5610, 6610, 6810, 7610, 7810, 7810S w/ out 10 x 16 Tires)
31	S.16284	Spindle - RH	C5NN3105M	Same as Above
31	S.60675	Spindle - LH A=10.67", B=1/63", C=1.75", D=.87"	D2NN3106C	(5000, 7000 6/73->), (5600, 6600, 7600 1/75-9/76), w/ 10 x 16 Tires
31	S.60676	Spindle - RH	D2NN3105C	Same as Above
31	S.66152	Spindle - LH	D5NN3106F	(6700, 7700, 6710, 7710, Low Clearance), 7810, 7910, 8210
31	S.66151	Spindle - RH	D5NN3105F	Same as Above
31	S.61482	Spindle - LH/RH A=12", B=1.72", C=1.93", D=.75"	E9NN3105EB	5640, 6640, 7740, 7840, TS90, TS100, TS110
32	S.40213	Slotted Nut (3/4" UNF)	387930536	Most Models

These parts are Sparex parts and are not manufactured by the Original Equipment Manufacturer. Original Manufacturers' names, part numbers and descriptions are quoted for reference purposes only and are not intended to indicate or suggest that our replacement parts are made by the OEM.

F2

Sparex Replacement Spare Parts
for Ford/New Holland (65->)

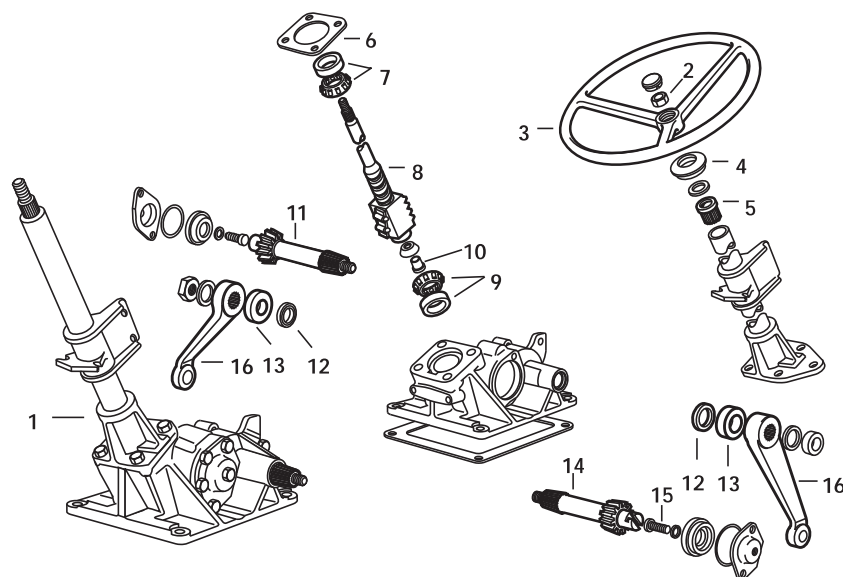
Industrial Spindle Kits, Manual Steering Box Seal & Bearing Kits



SPAREX No.	DESCRIPTION	EQUIVALENT	TRACTOR MODEL
1	S.75082	Spindle Repair Kit less Spindle (1.13" Dia) Unfinished Bushings	(5610, 6610, 6610 Orchard, 6810, 7610, 7610 Orchard w/ HD Axle), Ind. 340A, 3500, 3550, 420, 445, 450, 4400, 4500, 515, 535, 540A, 545, 550, 555, 655
1	S.75076	Spindle Repair Kit w/ Spindle (1.13" Dia) Finished Bushings	(5610, 6610, 6610 Orchard, 6810, 7610, 7610 Orchard w/ HD Axle), Ind. 340A, 3500, 3550, 420, 445, 450, 4400, 4500, 515, 535, 540A, 545, 550, 555, 655
1	S.75089	Spindle Repair Kit less Spindle (1.23" Dia) Unfinished Bushings	7010, 8010, Ind. 250C, 260C, 340B, 345C, 345D, 445A, 445C, 445D, 450, 540B, 545A, 545C, 545D, 555A, 555B, 655A
1	S.75083	Spindle Repair Kit w/ Spindle (1.23" Dia) Finished Bushings	7010, 8010, Ind. 250C, 260C, 340B, 345C, 345D, 445A, 445C, 445D, 450, 540B, 545A, 545C, 545D, 555A, 555B, 655A
2	S.67149	Seal & Bearing Kit - Manual Steering Gear Contains: Steering Shaft Bearings & Cups, Grommet, Adjuster Cover O-Rings, Sector Seals & Dust Seals, Shim Kit, Steering Wheel Nut, Throttle Rod Grommet	2000, 3000 (65>8/68)
2	S.67150	Seal & Bearing Kit - Manual Steering Gear Contains: Steering Shaft Bearings & Cups, Grommet, Adjuster Cover O-Rings, Sector Seals & Dust Seals, Shim Kit, Steering Wheel Nut, Throttle Rod Grommet	2000, 3000 (9/68>), 2600, 3600 (>4/76)

Sparex Replacement Spare Parts
for Ford/New Holland (65->)

Manual Steering Box and Related Components (Double Arm)



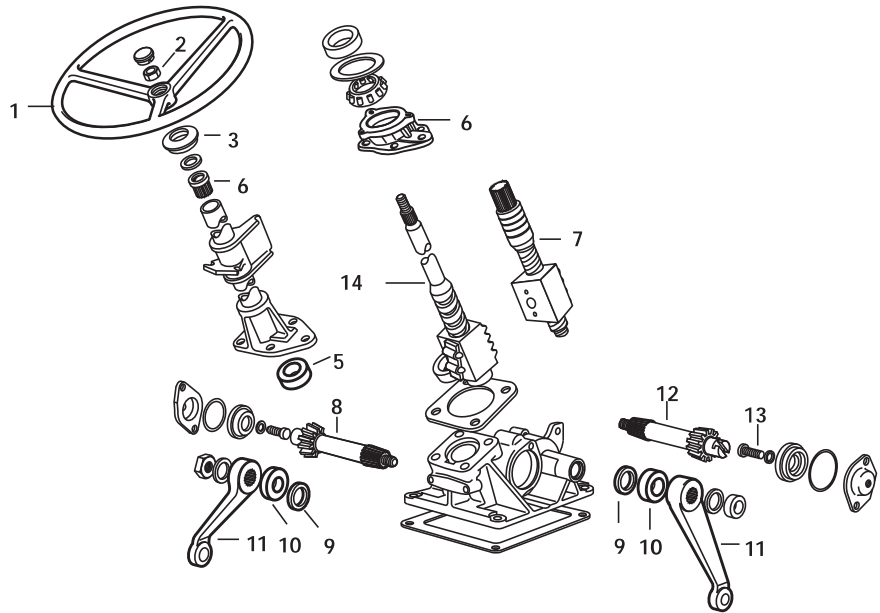
NOTE: Seal & Bearing Kits on Page 9

SPAREX No.	DESCRIPTION	EQUIVALENT	TRACTOR MODEL
1	S.73530 Steering Box Assembly - less Cab Replaces old style box w/ new 10 Series box	E4NN3503CA	2000, 3000, 2600, 3600, 3900, 2610, 2810, 2910, 3610, 3910, Ind. 230A, 231, 233, 234, 333, 334, 335, 530A, 531, 2110LCG, 4110LCG
2	S.65155 Nut - Steering Wheel	D5NN3N602A	Same as Above
3	S.60739 Steering Wheel w/ Round Cap (17 3/4" Dia, 3 3/4" Dish)	D6NN3600B	Same as Above
3	S.65744 Steering Wheel w/ Triangular Cap (16 3/4" Dia, 5" Dish)	D6NN3600B	Same as Above
4	S.61386 Grommet - Column	D2NN3A566B	Same as Above
5	S.65153 Bushing - Column	C5NN3517A D5NN3517A	Same as Above
6	S.61623 Shim Kit - Contains: 2 x .005" 2 x .010", 2 x .020"		2000, 3000, 2600, 3600, 3900, (2610, 2810, 2910, 3610, 3910 ->10/84), Ind. (230A ->10/84), 231, 233, 234, 333, 334, 335, (530A ->10/84), 531, 2110LCG, 4110LCG
7	S.65160 Cup & Bearing Assembly - Upper	C5NN3552A C5NN3N615A	(2000, 3000 65-8/68), Ind. (2110LCG, 4110LCG 65-8/68)
7	S.65161 Cup & Bearing Assembly - Upper	C7NN3552A C5NN3N615A	(2000, 3000 8/68->), 2600, 3600, 3900, (2610, 2810, 2910, 3610, 3910 ->10/84), Ind. (230A ->10/84), 231, 233, 234, 333, 334, (335, 530A ->10/84), 531, 2110LCG, 4110LCG
8	S.65156 Shaft & Ballnut Assembly - less Lower Bearing, less Cab	D2NN3A710B	2000, 3000, 2600, 3600, 3900, Ind. 231, 233, 333, 335, 531
8	S.66024 Shaft & Ballnut Assembly - less Lower Bearing, less Cab	E4NN3A710BA	(2310, 2610, 2810, 2910, 3610, Ind. 230A, 234, 334, 530A 10/84->)
9	S.65160 Cup & Bearing Assembly - Lower	C5NN3552A C5NN3N615A	2000, 3000, 2600, 3600, 3900, 2610, 2810, 2910, 3610, 3910, Ind. 230A, 231, 233, 234, 333, 334, 335, 530A, 531, 2110LCG, 4110LCG (->10/84)
10	S.65165 Eyelet	C5NN3N559A	Same as Above
11	S.60694 Sector - Single (5 Teeth)	C7NN3N575A	Same as Above
12	S.66622 Sector Seal (1.125" x 1.44")	C5NN3C615A	2000, 3000, (2600, 3600, 3900 75-3/77), Ind. (231, 233, 333, 335, 531, 75-3/77), 2110LCG, 4110LCG
13	S.65375 Sector Seal (Felt) Dust	C5NN3586A	2000, 3000, 2600, 3600, 3900, 2610, 2810, 2910, 3610, 3910, Ind. 230A, 231, 233, 234, 333, 334, 335, 530A, 531, 2110LCG, 4110LCG (10/84->)
14	S.60695 Sector - Double (7 Teeth)	C7NN3N576A	2000, 3000, 2600, 3600, 3900, 2610, 2810, 2910, 3610, 3910, Ind. 230A, 231, 233, 234, 333, 334, 335, 530A, 531, 2110LCG, 4110LCG (->10/84)
15	S.61863 Screw - Steering Adjustment	D8NN3C539AA	Same as Above
16	S.66360 Drop Arm	C5NN3590F	2000, 3000, 2600, 3600, 3900, (2610, 3610, 3910 ->9/84), Ind. (230A, 231, 233, 234, 333, 334, 530A, 531, 532 ->9/84)

These parts are Sparex parts and are not manufactured by the Original Equipment Manufacturer. Original Manufacturers' names, part numbers and descriptions are quoted for reference purposes only and are not intended to indicate or suggest that our replacement parts are made by the OEM.

Sparex Replacement Spare Parts
for Ford/New Holland (65->)

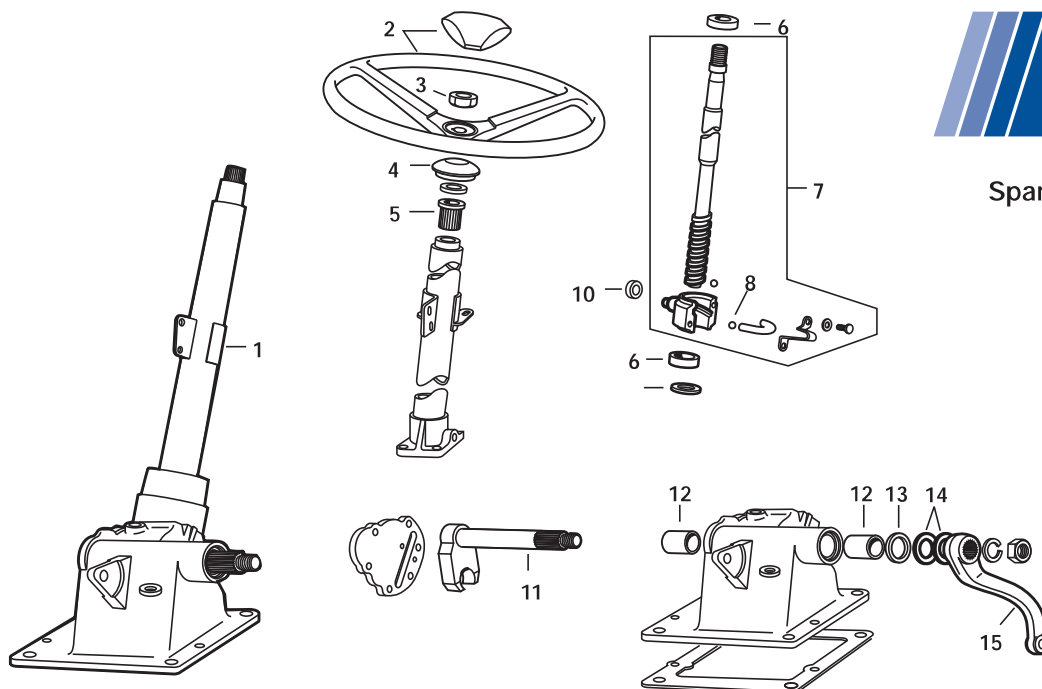
Power Steering Box and Related Components (Double Arm)



SPAREX No.	DESCRIPTION	EQUIVALENT	TRACTOR MODEL
1	S.60739 Steering Wheel w/ Round Cap (17 3/4" Dia, 3 3/4" Dish)	D6NN3600B	2000, 3000, 2600, 3600, 3900, 2610, 2810, 2910, 3610, 3910, Ind. 230A, 231, 233, 234, 333, 334, 335, 530A, 531, 2110LCG, 4110LCG (10/84->)
1	S.65744 Steering Wheel w/ Triangular Cap (16 3/4" Dia, 5" Dish)		Same as Above
1	S.66800 Steering Wheel w/ Round Cap (15" Dia - 4" Dish)	D7NN3600A	Same as Above
2	S.65155 Nut - Steering Wheel	D5NN3N602A	Same as Above
3	S.61386 Grommet - Column	D2NN3A566B	Same as Above
4	S.65153 Bushing - Column	D5NN3517A C5NN3517A	2000, 3000, 4000SU, 2600, 3600, 3900, 4100, 4600SU, 2310, 2610, 2810, 2910, 3610, 3910, 4110, 4610SU, Ind. 230A, 231, 234, 334, 335, 3400, 530A, 531, 2110LCG, 4110LCG
5	S.65181 Seal - Upper (Viton)	E1NN3N632AA D5NN3N632A	2000, 3000, 4000SU, 2600, 3600, 3900, 4100, 4600SU, 2310, 2610, 2810, 2910, 3610, 3910, 4110, 4610SU, Ind. 230A, 231, 234, 334, 335, 530A, 532, 3400, 2110LCG, 4110LCG
5	S.08915 Seal - Upper (Nitrile)	E1NN3N632AA D5NN3N632A	Same as Above
6	S.61625 Adaptor Housing - Bare (Seal, Bearing Not Included)	D9NN3N748AA	2000, 3000, 4000SU, 2600, 3600, 4100, 4600SU, (2310, 2610, 2910, 3610, 3910, 4110, 4610SU ->10/84), Ind. (230A ->10/84), 231, (234, 334 ->10/84), 335, (530A ->10/84), 531, 532, 3400, 2110LCG, 4110LCG
7	S.61951 Steering Shaft & Ball Nut Assembly	E4NN3A710DB	(2310, 2610, 2810, 2910, 3610, 3910, 4110, 4610SU 10/84->), Ind. (230A, 234, 334, 335, 530A 10/84->)
8	S.60694 Sector - Single (5 Teeth)	C7NN3N575A	2000, 3000, 4000SU, 2600, 3600, 4100, 4600SU, (2310, 2610, 2910, 3610, 3910, 4110, 4610SU ->10/84), Ind. (230A ->10/84), 231, 233, (234, 334 ->10/84), 335, (530A ->10/84), 531, 532, 3400, 2110LCG, 4110LCG
9	S.66622 Sector Seal (1.25" x 1.44")	C5NN3C615A	2000, 3000, 4000SU, (2600, 3600, 3900, 4100, 4600SU ->3/77), (Ind. (231, 335, 531, 532 ->3/77), 3400, 2110LCG, 4110LCG
10	S.65375 Sector Seal (Felt) Dust	C5NN3586A	2000, 3000, 4000SU, 2600, 3600, 4100, 4600SU, (2310, 2610, 2910, 3610, 3910, 4110, 4610SU ->10/84), Ind. (230A ->10/84), 231, 233, (234, 334 ->10/84), 335, (530A ->10/84), 531, 532, 3400, 2110LCG, 4110LCG
11	S.66360 Drop Arm	C5NN3590F	Same as Above
12	S.60695 Sector - Double (7 Teeth)	C7NN3N576A	Same as Above
13	S.61863 Screw - Steering Adjustment	D8NN3C539AA	Same as Above
14	S.67000 Steering Shaft & Ball Nut Assembly	D6NN3A710A	2000, 3000, 4000SU, 2600, 3600, 4100, 4600SU, (2310, 2610, 2910, 3610, 3910, 4110, 4610SU ->9/84), Ind. 230A, 231, 234, 2110LCG, 334, 335, 3400, 4110LCG, (530A ->9/84), 531, 532

Sparex Replacement Spare Parts
for Ford/New Holland (65->)

Non-Orbital Steering Box and Related Components (Single Arm)



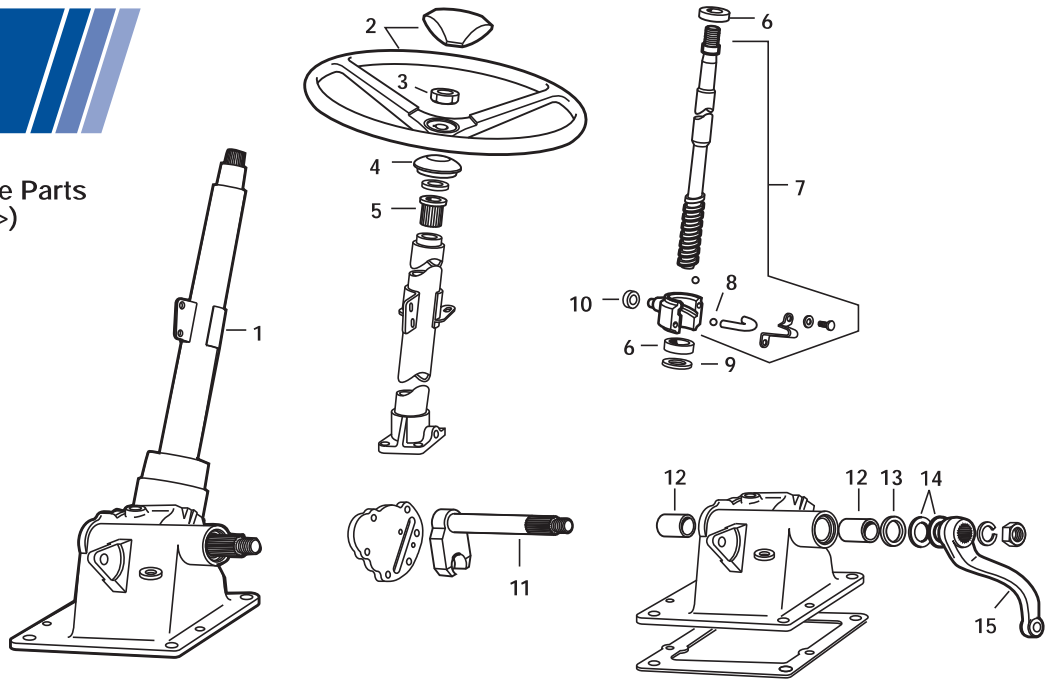
SPAREX No.	DESCRIPTION	EQUIVALENT	TRACTOR MODEL
1	S.66570 Steering Box Assembly	E0NN3503CA D7NN3503C	(4000 Manual Steering), (4000 Power Steering 65-7/70), (4600, 4610 Manual less Cab), (3430, 3930, 4130, 4630 Manual 3/90-5/93), (4830 Manual 7/90-1/92), Ind. 3500, 3550, 420
1	S.66811 Steering Box Assembly Note: When making a right turn Steering Arm moves forward)	D7NN3503E	(Ind. 4400, 4500, 515, 535 w/ Power Steering)
1	S.73523 Steering Box Assembly	D7NN3503A	(5000 Manual Steering), (5600, 5900, 6600, 7600, 5610, 6610 Manual Steering less Cab)
1	S.66830 Steering Box Assembly Note: When making a right turn Steering Arm moves forward)	C5NN3503E	(5000 Power Steering 65-8/70)
2	S.60739 Steering Wheel w/ Round Cap (17 3/4" Dia, 3 3/4" Dish)	D6NN3600B	(4000 Manual Steering), (4000 Power Steering 65-7/70), (5000 Manual Steering), (5000 Power Steering 65-8/70), (5600, 5900, 6600, 7600, 5610, 6610 Manual Steering less Cab), (4600, 4610 Manual less Cab), (3430, 3930, 4130, 4630 Manual 3/90-5/93), (4830 Manual 7/90-1/92), Ind. 3500, 3550, 420, (4400, 4500, 515, 535 w/ Power Steering),
2	S.65744 Steering Wheel w/ Triangular Cap (16 3/4" Dia, 5" Dish)	D6NN3600B	Same as Above
3	S.65155 Nut - Steering Wheel	D5NN3N602A	Same as Above
4	S.61386 Grommet - Column	D2NN3A566B	4000, 5000, 4600, 5600, 6600, 7600, 5610, 6610, 3430, 3930, 4130, 4630, 4830, Ind. 420, 3500, 3550, 4400, 4500, 515, 535
5	S.65153 Bushing - Column	D5NN3517A C5NN3517A	(4600, 5600, 6600, 7600 Manual Steering) (2310, 2610, 2910, 3610, 3910, 4110, 4610 Manual w/ Cab), (3430, 3930, 4130, 4630, 4830, 5030 Manual), Ind. 535
6	S.65162 Bearing - Upper/Lower	E1ADKN3556	(4000 Manual), (4000 Power 65-7/70), (4600, 4610 Manual less Cab), (5000 Manual, 5000 Power 65-8/70), (5600, 5900, 6600, 7600 Manual), (5610, 6610 Manual), (2310, 2610, 2910, 3610, 3910, 4110, 4610 Manual w/ Cab), (3430, 3930, 4130, 4630, 4830, 5030, Manual), Ind. 3500, 3550, 4400, 4500, 515, 535
7	S.65157 Shaft & Nut Assembly - RH Spiral	D2NN3A710D	(4000 Manual), (4000 Power 65-7/70), (4600 Manual less Cab), (3230, 3430, 3930, 4130, 4630, 4830, 5030 Manual), Ind. 3500, 3550, 420
7	S.60470 Shaft & Nut Assembly - LH Spiral	D2NN3A710E	Ind. 4400, 4500, 515, 535
7	S.65158 Shaft & Nut Assembly - RH Spiral	D2NN3A710A	(5000 Manual), (5600, 6600, Manual less Cab), (5610, 6610 Manual)
7	S.66023 Shaft & Nut Assembly - LH Spiral	C5NN3A710A	(5000 Power Steering 65-7/70)

These parts are Sparex parts and are not manufactured by the Original Equipment Manufacturer. Original Manufacturers' names, part numbers and descriptions are quoted for reference purposes only and are not intended to indicate or suggest that our replacement parts are made by the OEM.

F2

Sparex Replacement Spare Parts
for Ford/New Holland (65->)

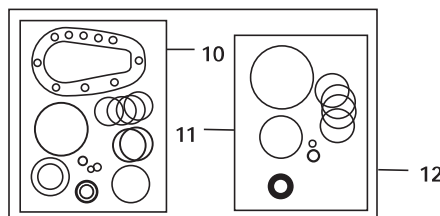
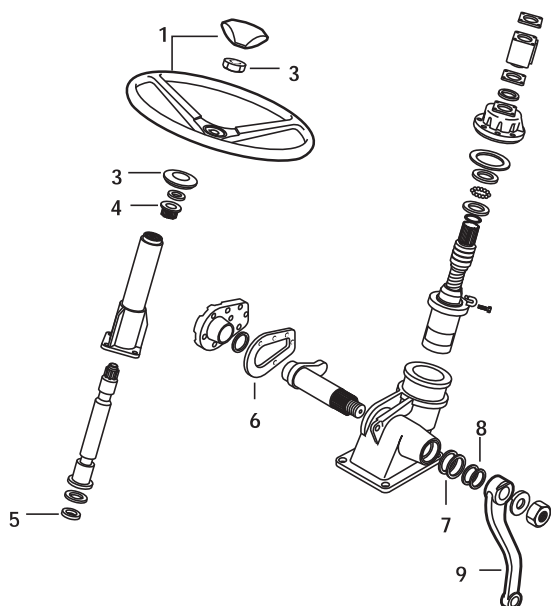
Non-Orbital Steering Box and Related Components (Single Arm)



SPAREX No.	DESCRIPTION	EQUIVALENT	TRACTOR MODEL	
8	S.65789	Steel Ball (3/8") 14 Required	353075S	(4000 Manual), (4000 Power 65-7/70), (4600 Manual less Cab), (5000 Manual), (5000 Power Steering 65-8/70), (5600, 6600, Manual less Cab), (5610, 6610 Manual), (2310, 2610, 2910, 3610, 3910, 4110, 4610 Manual w/ Cab), (3230, 3430, 3930, 4130, 4630, 4830, 5030 Manual), Ind. 3500, 3550, 400, 420, 4500, 515, 535
9	S.65799	Spacer	C5NN3N551B	(5000 Manual), (5000 Power Steering 65-7/70), (5600, 5900, 6600 Manual), (5610, 6610 Manual)
10	S.65164	Roller	E1ADKN3572	(4000 Manual), (4000 Power Steering 65-7/70), (4600, 5000 Manual), (5000 Power 65-7/70), (5600, 5900, 6600 Manual), (2310, 2610, 2910, 3610, 3910, 4110, 4610 Manual w/ Cab), (5610, 6610 Manual), Ind. 3500, 3550, 4400, 4500, 233, (234, 334, 335 Manual w/ Cab), 420, 535
11	S.66017	Rocker Shaft	C9NN3575C	(4000 Manual), (4000 Power Steering 65-7/70), (4600 Manual), (2310, 2610, 2910, 3610, 3910, 4110, 4610 Manual w/ Cab), Ind. 3500, 3550, 4400, 4500, 233, (234, 334, 335 Manual w/ Cab), 420, 535
11	S.65163	Rocker Shaft	F1NN3575AA FF559 C5NN3575A	(5000 Manual), (5000 Power Steering 65-7/70), (5600, 5900, 6600, 7600 Manual), (5610, 6610 Manual w/ Cab),
12	S.65739	Bushing	C5NN3N654B C5NN3N654A	Same as Above
13	S.03728	Seal - Rocker Shaft	C5NN3C615B	(4600, 5600, 6600, 7600 Manual Steering) (2310, 2610, 2910, 3610, 3910, 4110, 4610 Manual w/ Cab), (3430, 3930, 4130, 4630, 4830, 5030 Manual), Ind. 535
14	S.12842	Felt Seal	C5NN3528C	(4000 Manual), (4000 Power 65-7/70), (4600, 4610 Manual less Cab), (5000 Manual, 5000 Power 65-8/70), (5600, 5900, 6600, 7600 Manual), (5610, 6610 Manual), (2310, 2610, 2910, 3610, 3910, 4110, 4610 Manual w/ Cab), (3430, 3930, 4130, 4630, 4830, 5030, Manual), Ind. 3500, 3550, 4400, 4500, 515, 535
15	S.66362	Drop Arm	C5NN3590A	(4600, 5600, 6600, 7600 Manual Steering), (2310, 2610, 2910, 3610, 3910, 4110, 4610 Manual w/ Cab), (3430, 3930, 4130, 4630, 4830, 5030 Manual), Ind. 535

Sparex Replacement Spare Parts
for Ford/New Holland (65->)

Orbital Power Steering and Related Components (Single Arm)



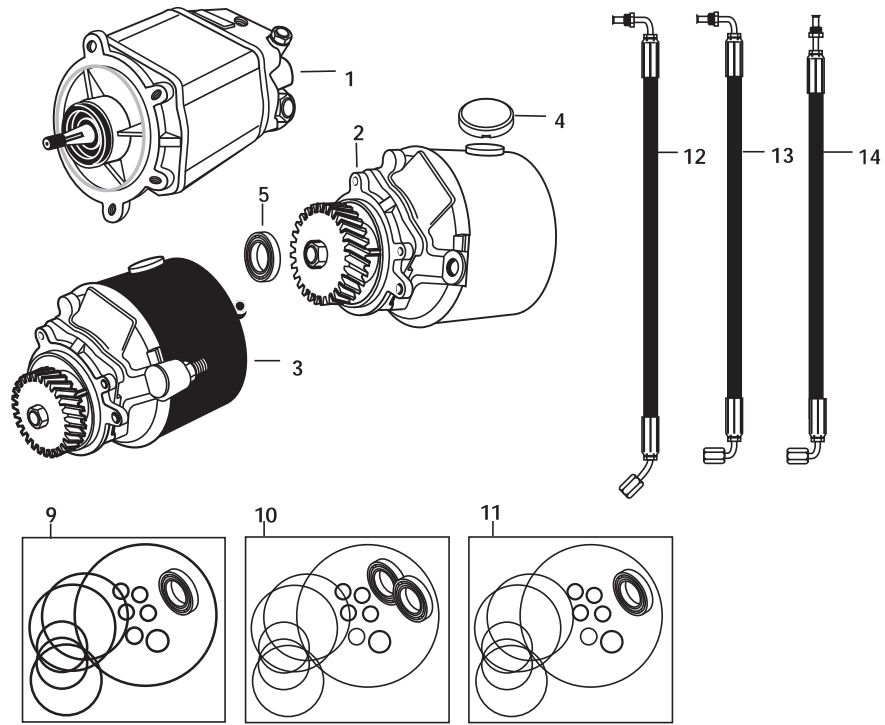
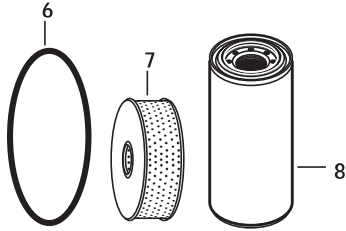
SPAREX No.	DESCRIPTION	EQUIVALENT	TRACTOR MODEL
1	S.60739 Steering Wheel w/ Round Cap (17 3/4" Dia, 3 3/4" Dish)	D6NN3600B	All Models w/ Orbital Steering
1	S.65744 Steering Wheel w/ Triangular Cap (16 3/4" Dia, 5" Dish)	D6NN3600B	All Models w/ Orbital Steering
1	S.66800 Steering Wheel (15" Dia, 4" Dish)	D7NN3600A	(2600, 3600, 4100 w/ Cab), 4600, 5600, 5900, 6600, 7600, (2610, 3610, 4610 w/ Cab), 3230, 3430, 3930, 4130, 4630, 4830, 5030, Ind. (234, 334 w/ Cab), 340, 540
2	S.65155 Steering Wheel Nut	D5NN3N602A	All Models w/ Orbital Steering
3	S.61386 Grommet - Column	D2NN3A566B	4000, 5000, 7000, (2600, 3600, 4100, w/ Cab), 4600, 5600, 5900, 6600, 7600, (2610, 3610, 4610 w/ Cab), 5610, 6610, 7610, 3230, 3430, 3930, 4130, 4630, 4830, 5030, Ind. (234, 334 w/ Cab), 340, 540
4	S.65153 Bushing - Column	D5NN3517A	(3600, 4100, 5600, w/ Cab), (2610, 3610 w/ Cab), 4610, 5610, 6610, 7610, 5900, 3230, 3430, 3930, 4130, 4630, 4830, 5030, Ind. 340, 540, (234, 334 w/ Cab)
5	S.65181 Seal - Upper (Viton)	E1NN3N632AA	4000, 5000, 7000, (2600, 3600, 4100, w/ Cab), 4600, 5600, 5900, 6600, 7600, (2610, 3610, 4610 w/ Cab), 5610, 6610, 7610, 3230, 3430, 3930, 4130, 4630, 4830, 5030, Ind. (234, 334 w/ Cab), 340, 540
5	S.08915 Seal - Upper (Nitrile)	E1NN3N632AA	Same as Above
6	S.12699 Gasket - Side Cover	C9NN3N598A	Same as Above
7	S.65813 Seal - Shaft	C9NN3C615B	(5000 7/70->), 7000, 5600, 5900, 6600, 7600, 5610, 6610, 7610
8	S.12842 Seal - Shaft (Felt)	C5NN3528A	(4000, 5000 7/70->), 7000, 4600, 5600, 5900, 6600, 7600, (2610, 3610, w/ Cab), 4610, 5610, 6610, 7610, 3230, 3430, 3930, 4130, 4630, 4830, 5030, Ind. (234, 334 w/ Cab), 340, 540
9	S.61851 Drop Arm	C7NN3590B	(5000 7/70->), 7000, 5600, 5900, 6600, 7600, 5610, 6610, 7610
10	S.12474 Gasket - Seal Kit	EDPN3500A	(4000, 5000 7/70->), 7000
11	S.08920 Seal Kit	EGPN3N503AA	(4000, 5000 7/70->), 7000, 4600, 5600, 6600, 7600
12	S.65782 Seal Kit - Contains: S.12474 x1, S.08920 x1	EDPN3500A EGPN3N503AA	Same as Above

These parts are Sparex parts and are not manufactured by the Original Equipment Manufacturer. Original Manufacturers' names, part numbers and descriptions are quoted for reference purposes only and are not intended to indicate or suggest that our replacement parts are made by the OEM.

F2

Sparex Replacement Spare Parts
for Ford/New Holland (65->)

Pumps, Filters, Repair Kits and Related Components

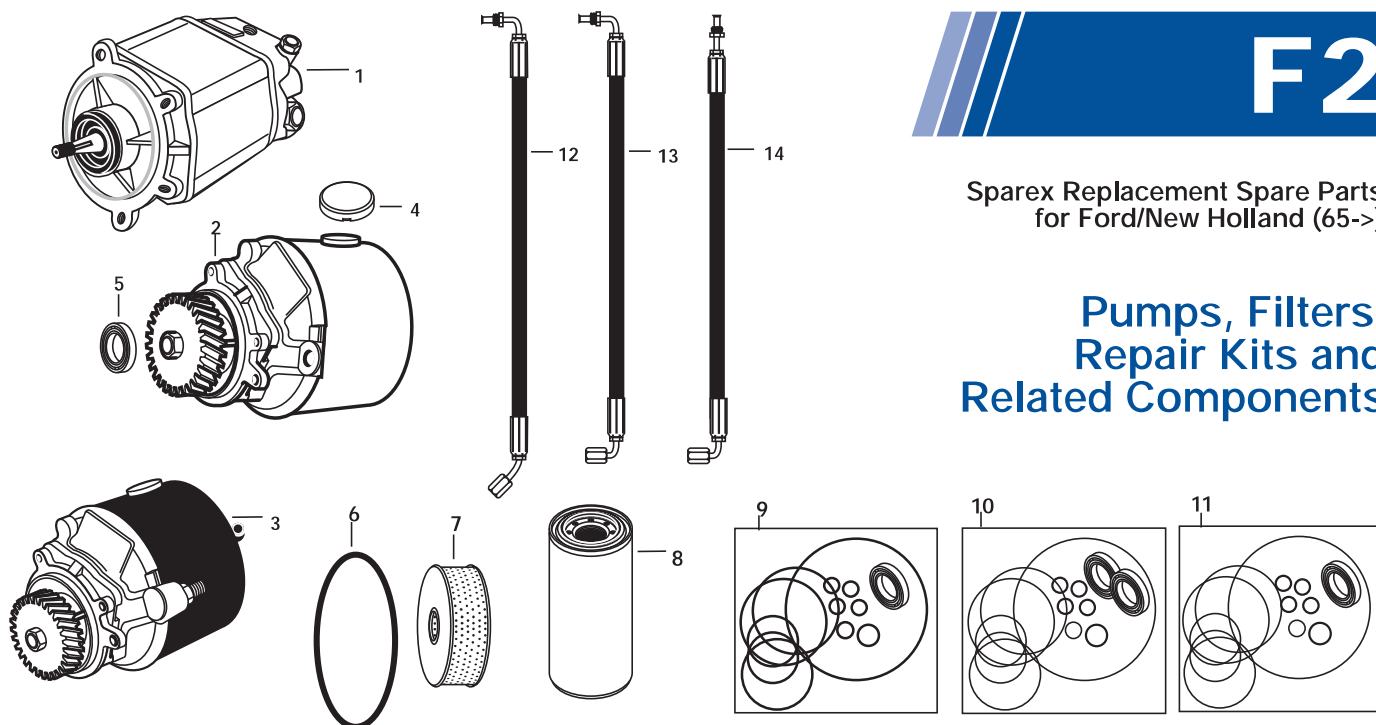


SPAREX No.	DESCRIPTION	EQUIVALENT	TRACTOR MODEL
1	S.61316 Power Steering Pump w/ External Reservoir (650 psi)	C7NN3A674C	(2000, 3000 65-9/68), Ind. (2110LCG 65-9/68), (3400 65-4/70)
1	S.60657 Power Steering Pump w/ External Reservoir (1100 psi)	C7NN3A674D	(5000 All Purpose 65-9/68), (County 754 1/68-10/68), Ind. (4400 65-4/70)
1	S.61186 Power Steering Pump w/ External Reservoir (1100 psi)	C7NN3A674G	(4200 Rowcrop 1/66-12/73), (5200, 7200 Rowcrop 1/67-3/73)
1	S.60679 Power Steering Pump w/ External Reservoir (1500 psi)	C7NN3A674B	(8000, 8600, 9000, 9600 1/68-2/73)
2	S.65172 Power Steering Pump w/ Reservoir (1100 psi)	E6NN3K514EA	(4000 4/70->), (5000, 7000 7/70->), 4600, 5600, 6600, 7600, Ind. 3500, 3550, 420 NOTE: This pump is often used to replace (E6NN3K514 650 psi 2000, 3000 10/68->) (D7NN3A674B 650 psi 2600, 3600, 3900, 4100, 4600SU, 231, 335, 531 less Cab), E6NN3K514CA 850 psi, (4000 10/68-3/70) Resetting of the Pressure Relief Valve is recommended.
2	S.60678 Power Steering Pump (1500 psi)	D6NN3K514B	8600, 9600
3	S.66015 Power Steering Pump w/ Hydrostatic Steering No Relief Valve in Pump	E6NN3K514AB	(5900 5/88->), (5610, 6610, 6810, 7610 4/85->), 5610S, 6610S, 7610S, 7810S, 8010
4	S.65697 Cap - Power Steering Pump	D2NN3A006B	2000, 3000, 4000, 5000, 7000, 8600, 8700, 9600, 9700, 2600, 3600, 3900, 4100, 4600, 5600, 5900, 6600, 6700, 7600, 7700, 2310, 2610, 2810, 2910, 3610, 3910, 4110, 4610, 5610, 6610, 6610S, 6710, 7610, 7610S, 7710, 7810S, 8010, 3230, 3430, 3930, 4630, 4830, 5030, 8530, 8630, 8730, 8830, TW5, TW10, TW15, TW20, TW25, TW30, TW35, Ind. 230A, 231, 233, 234, 250C, 260C, 333, 334, 335, 340, 3400, 340A, 340B, 345C, 345D, 420, 445, 445A, 445C, 445D, 450, 4500, 455C, 455D, 515, 530A, 531, 532, 540, 540A, 540B, 545, 545A, 545C, 545D, 550, 555, 555A, 555B, 555C, 555D, 575D, 650, 6500, 655, 655C, 655D, 675D, 750, 7500, 755, 755A, 755B
5	S.04433 Seal - Power Steering Pump Single Lip (1.125" x .688")	E0NN3N529AA 83925002	Same as Above
6	S.11362 O-Ring - Reservoir to Pump	D7NN3D587A D2NN3D587A	Same as Above (Pump w/ Reservoir Attached)
7	S.65698 Filter - Power Steering Pump w/ Reservoir	EDPN3K758A E0NN3K758AA	Same as Above

These parts are Sparex parts and are not manufactured by the Original Equipment Manufacturer. Original Manufacturers' names, part numbers and descriptions are quoted for reference purposes only and are not intended to indicate or suggest that our replacement parts are made by the OEM.

Sparex Replacement Spare Parts
for Ford/New Holland (65->)

Pumps, Filters, Repair Kits and Related Components



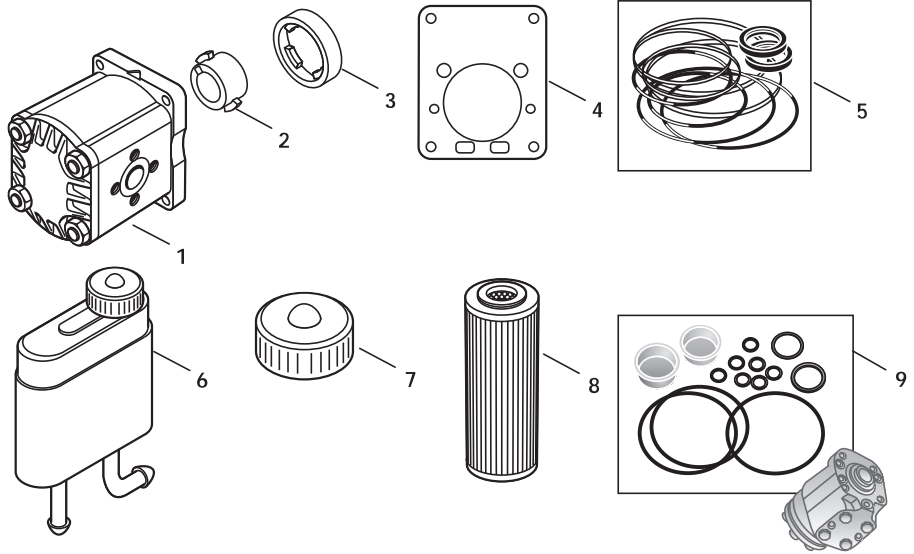
SPAREX No.	DESCRIPTION	EQUIVALENT	TRACTOR MODEL
8	S.73050 Filter - Power Steering	F0NN3N976AA	5640, 6640, 7740, 7840, 8240, 8340, TS90, TS100, TS110
9	S.66579 Seal / O-Ring Kit - Power Steering Pumps w/ External Reservoir	DHPN3A674A (535 75-9/78)	(2000, 3000, 4000, 5000 65-9/68), (8000, 8600, 9000, 9600 1/68-2/73), Ind. (3400, 3500, 4400, 4500 65-4/70), (2110LCG, 4110LCG 65-9/68),
10	S.11370 Seal / O-Ring Kit w/ 2 Single Lip Seals	DHPN3A674B	2000, 3000, 4000, 5000, 7000, 8600, 8700, 9600, 9700, 1600, 3600, 3900, 4100, 4600, 5600, 5900, 6600, 6700, 7600, 7700, 2310, 2610, 2810, 2910, 3610, 3910, 4110, 4610, 5610, 6610, 6610S, 6710, 7610, 7610S, 7710, 7810S, 8010, 3230, 3430, 3930, 4630, 4830, 5030, 8530, 8630, 8730, 8830, TW5, TW10, TW15, TW20, TW25, TW30, TW35, Ind. 230A, 231, 233, 234, 250C, 260C, 333, 334, 335, 340, 3400, 340A, 340B, 345C, 345D, 420, 445, 445A, 445C, 445D, 450, 4500, 455C, 455D, 515, 530A, 531, 532, 540, 540A, 540B, 545, 545A, 545C, 545D, 550, 555, 555A, 555B, 555C, 555D, 575D, 650, 6500, 655, 655C, 655D, 675D, 750, 7500, 755, 755A, 755B
11	S.65664 Seal / O-Ring Kit w/ 1 Double Lip Seal	DHPN3A674B	Same as Above
12	S.65785 Hose - Pressure, Pump to Column Replaces original steel line	D8NN3A562AA	(5000 9/70->), 7000, 5600, 6600, 7600
13	S.65787 Hose - Return, Pump to Column Replaces original steel line	D7NN3B569E	(4000 8/70->), 4600, Ind. 340, 540
14	S.65786 Hose - Return, Pump to Column Replaces original steel line	D8NN3A569BA	(5000 9/70->), 7000, 5600, 6600, 7600

These parts are Sparex parts and are not manufactured by the Original Equipment Manufacturer. Original Manufacturers' names, part numbers and descriptions are quoted for reference purposes only and are not intended to indicate or suggest that our replacement parts are made by the OEM.

F2

Sparex Replacement Spare Parts
for Ford/New Holland (65->)

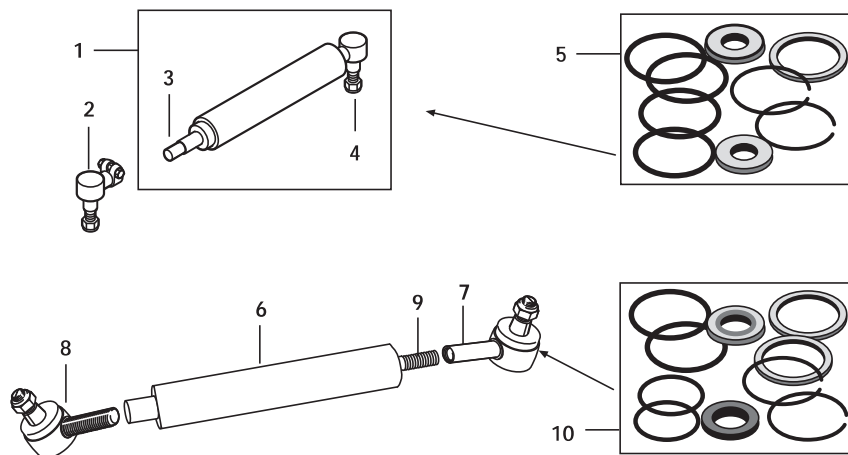
Pumps, Filters, Repair Kits and Related Components



	SPAREX No.	DESCRIPTION	EQUIVALENT	TRACTOR MODEL
1	S.59130	Power Steering Pump (18 Ltr)	5179732 5130127 569309	4430 (4 wd)
1	S.62217	Power Steering Pump (25 Ltr)	5179722 5129481	3010S, (3830, 4430 2 wd)
2	S.62485	Hub	5118570	Same as Above
3	S.62484	Coupler	5118569	3010S, 3830, 4430, 4835, 5635, 6635, 7635, TN65F, TN75F, TN90F
4	S.62598	Gasket	98486662 4850986 4607590	3010S, 3830, 4430
5	S.62807	Pump Repair Kit	5145656	3010S, 3830, 4330, 4430, 4835, 5635, 6635
6	S.62436	Reservoir w/ Cap	5111529	3010S, 3830, 4330, 4430
7	S.62437	Cap - Reservoir	5106842	Same as Above
8	S.62332	Filter Elements	1909143	3010S, 3830, 4330, 4430
9	S.41499	Steering Motor Repair Kit	9932893	3010S, 3830, 8160, 8260, 8360, 8560

Sparex Replacement Spare Parts
for Ford/New Holland (65->)

Power Steering Cylinders, Repair Kits and Related Components (2 Wheel Drive)

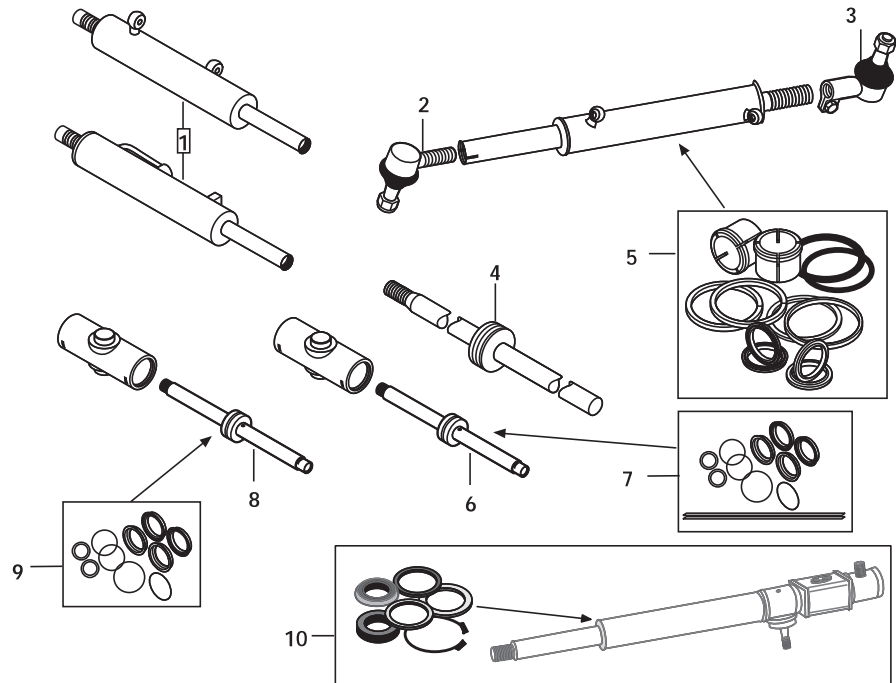


SPAREX No.	DESCRIPTION	EQUIVALENT	TRACTOR MODEL
1	S.60656 Power Steering Cylinder - LH/RH (1/2" Rod - 7/16" Thread) NOTE: Do not mix rod sizes on tractor	E2NN3A540BA E2NN3D547AA	2000, 3000, 4000SU, 2600, 3600, 3900, 4100, 4600SU, (2310, 2610, 2910, 3610, 4110, 4610SU, 81-1/86), Ind. (230A 81-1/86), 231, (234, 334, 530A 81-1/86), 531, 2110LCG, 4110 LCG
1	S.60419 Power Steering Cylinder - LH/RH (5/8" Rod - 7/16" Thread) NOTE: Do not mix rod sizes on tractor	D4NN3A540A D4NN3D547A	2000, 3000, 4000SU, 2600, 3600, 3900, 4100, 4600SU, (2310, 2610, 2810, 2910, 3610, 3910, 4110, 4610SU, ->4/89), Ind. 230A, 231, 335, 335, 3400, 530A, 531, 532
1	S.60658 Power Steering Cylinder - LH/RH (5/8" Rod - 1/2" Thread) NOTE: Do not mix rod sizes on tractor	C5NN3C578B C5NN3A739G	Ind. 3400, 335, 532
2	S.60649 Cylinder End - Rod End (7/16" Female Thread)	C5NN3A302B	2000, 3000, 4000SU, 2600, 3600, 3900, 4100, 4600SU, (2310, 2610, 2910, 3610, 3910, 4110, 4610SU, 81-1/86), Ind. 231, 531, (234, 334, 335 81-1/86), 2110LCG, 4110 LCG
2	S.60659 Cylinder End - Rod End (1/2" Female Thread)	CAPN3300A	Ind. 3400, 335, 532
3	S.60642 Cylinder - Rod ONLY (1/2" Male Thread)		Fits S.60656 Cylinder only
4	S.61345 Cylinder End - Rear		Fits S.60656, S.60658, S.60419 Cylinders only
5	S.60666 Cylinder Repair Kit (1/2" Rod)		Repairs S.60656 only (Will NOT repair original equipment cylinder)
5	S.60668 Cylinder Repair Kit (5/8" Rod)		Repairs S.60658, S.60419 only (Will NOT repair original equipment cylinder)
6	S.60751 Power Steering Cylinder (11/16" Rod) Does NOT include either end	86516202 E6NN3A540CA E3NN3A540AA	Ind. 445, 550, 5550, 555, 555A, 555B, 655, 655A, 755B, 7500
7	S.71113 Cylinder End - Female Thread	D9NN3A302AB	Ind. 445, 550, 5550, 555, 555A, 555B, 655, 655A, 755B, 7500
8	S.71114 Cylinder End - Male Thread	D9NN3A303AB	Ind. 445, 550, 5550, 555, 555A, 555B, 655, 655A, 755B, 7500
9	S.61418 Cylinder Rod ONLY		Fits S.60751 Cylinder only
10	S.61899 Cylinder Repair Kit		Fits S.60751 Cylinder (Will NOT repair original equipment cylinder)

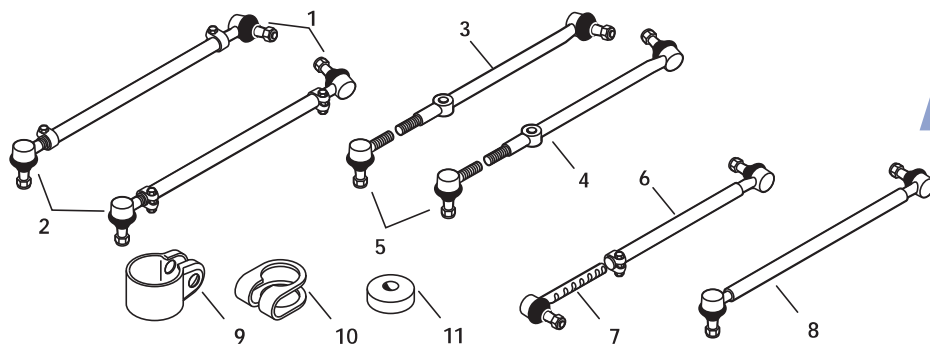
These parts are Sparex parts and are not manufactured by the Original Equipment Manufacturer. Original Manufacturers' names, part numbers and descriptions are quoted for reference purposes only and are not intended to indicate or suggest that our replacement parts are made by the OEM.

Sparex Replacement Spare Parts
for Ford/New Holland (65->)

Power Steering Cylinders, Repair Kits and Related Components (2 or 4 Wheel Drive)



SPAREX No.	DESCRIPTION	EQUIVALENT	TRACTOR MODEL	
1	S.74756	Power Steering Cylinder - 2 WD	E3NN3A540BA	5900, (5610, 6610, 6810, 7610, 7810 4/85->), (5610S, 6610S, 7610S, 7810S 1/94-5/96)
1	S.74757	Power Steering Cylinder - 2 WD	E9NN3A540BC	5640, 6640, 7740, 7840, TS90, TS100, TS110
2	S.65689	Cylinder End - Male - 2 WD Fits S.74756	D8NN3A302AA D5NN3A302B D5NN3A302C	6700, 7700, 6710, (7710,7810, 7910, 8210, 8530, 8630, 8730, 8830, TW5, TW10, TW15, TW20, TW25, TW30, TW35, 8700, 9700 8/76->)
2	S.66358	Cylinder End - Male - 2 WD Fits S.74757	E9NN3N981AA	5640, 6640, 7740, 7840, TS90, TS100, TS110
2	S.65668	Cylinder End - Male - 2 WD Fits S.74756	E3NN3N981AA	5900, 3010S, 5610, 5610S, 6610, 6610S, 6810, 7610, 7610S, 7810, 7810S, 8010
3	S.65688	Cylinder End - Female - 2 WD Fits S.74756	D8NN3B539AB D8NN3B539AA E6NN3B539AA	6700, 7700, 6710, (7710,7810, 7910, 8210, 8530, 8630, 8730, 8830, TW5, TW10, TW15, TW20, TW25, TW30, TW35, 8700, 9700 8/76->)
3	S.66357	Cylinder End - Female - 2 WD Fits S.74757	E9NN3B539AA	5640, 6640, 7740, 7840, TS90, TS100, TS110
3	S.65667	Cylinder End - Female - 2 WD	E3NN3B539AA	5900, 3010S, 5610, 5610S, 6610, 6610S, 6810, 7610, 7610S, 7810, 7810S, 8010
4	S.07823	Cylinder Rod - Cascade Cylinder	E3NN3A747AA	5900, (5610, 6610, 6810, 7610, 7810 4/85->), (5610S, 6610S, 7610S, 7810S 1/94-5/96)
4	S.07824	Cylinder Rod - 2 WD	E9NN3A747AA	5640, 6640, 7740, 7840, (TS90, TS100, TS110)
5	S.65809	Cylinder Repair Kit - 2 WD	EFPN33301A	(5900, 5610, 6610, 7610, 7810 4/85->), (5610S, 6610S, 7610S, 1/94-5/96), 5640, 6640, 7740, 7840, TS90, TS100, TS110
6	S.07825	Cylinder Rod - 4 WD (Repairs CAR120226 Cylinder)		(5610, 6610, 6810, 7610, 7710, 7810, 7910 2/87->), 6610S, 7610S, 7810S, 8010, (3230, 3430, 3930, 4130, 4630, 4830, 5030, 3/90->)
7	S.12911	Cylinder Repair Kit - 4 WD	CAR49101	Same as Above
8	S.07826	Cylinder Rod - 4 WD (Repairs CAR125188)		(5640, 6640, 7740, 7840, 8240, 8340 11/91-12/94)
9	S.07827	Cylinder Seal Kit - 4 WD	CAR49117	Same as Above
10	S.65818	Cylinder Repair Kit (Packing for Cylinder only)	CFPN3301A	(4000 65-3/70), Ind. 3500, 3550, 420



Sparex Replacement Spare Parts
for Ford/New Holland (65->)

Drag Links and Related Components (2 Wheel Drive)

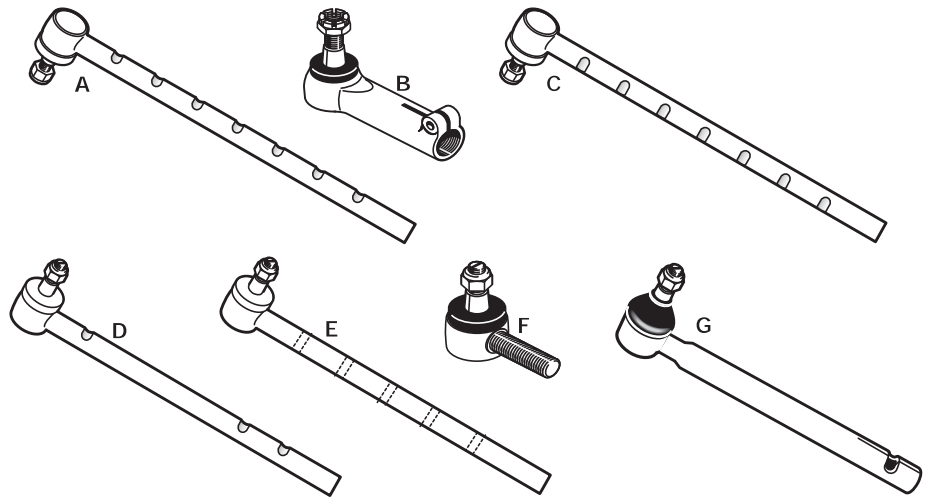
SPAREX No.	DESCRIPTION	EQUIVALENT	TRACTOR MODEL
1	S.65050 Drag Link End - Rear	957E3307B	(2000, 3000 Manual), (2600, 3600, 3900, 2310, 2610, 2910, 3610, 3910 Manual, Less Cab), Ind. (230A, 231, 233, 333, 530A, 531 Manual, Less Cab), (2110LCG, 4110LCG Manual)
2	S.65044 Drag Link End - Front	957E3290B	Same as Above
2	S.65048 Drag Link End - Front	C5NN3308C	(5000 Manual 1/65-12/67)
2	S.66003 Drag Link End - Front	E3NN3308BA	(5000 Power Steering 65-8/67)
3	S.65795 Drag Link End - Rear - RH	C5NN3307G	(2000, 3000, 4000SU Power Steering), 2600, 3600, 3900, 4100, 4600SU, 2610, 2810, 2910, 3910, 4110, 4610SU Power Steering, Less Cab), Ind. (230A, 231, 234, 334, 530A, 531 Less Cab), 2110LCG, 4110LCG Power Steering)
4	S.65054 Drag Link End - Rear - LH	C5NN3308E	Same as Above
5	S.65045 Drag Link End - Front	C5NN3A300B	Same as Above
6	S.65052 Drag Link End - Rear	C7NN3307A	(4000 Manual 4/70->), (4000 Power Steering 8/70-12/71), (4600 4610, 3430, 3930, 4130, 4630, 4830, 5030 Manual)
6	S.65055 Drag Link End - Rear	D0NN3307A	(4000 Power Steering 1/72->), (4600 Power Steering)
6	S.65056 Drag Link End - Rear	E1NN3307AA	(4610, 4630, 4830, 5030 Power Steering)
6	S.65042 Drag Link End - Rear	C7NN3304C	(5000, 5600, 6600, 7600, 5610, 6610 Manual)
6	S.65053 Drag Link End - Rear (Threaded End Only)	C5NN3307E	(5000 Manual 65-12/67)
6	S.65040 Drag Link End - Rear (15/16" Peg) (Weld-on End Only)	C5NN3304T	(5000, 5600, 6600, 7600, 5610, 6610 Manual)
7	S.65046 Drag Link End - Front	D0NN3A300A	4000, 4600, (3430, 3930, 4130, 4630, 4830, 5030 Manual)
7	S.65047 Drag Link End - Front	E1NN3A300AA	4610, (4630, 4830, 5030 Power Steering)
7	S.65049 Drag Link End - Front	C7NN3A300A	(5000 Manual 1/68->), (5600, 6600, 7600, 5610, 6610 Manual)
8	S.65043 Drag Link Assembly	E0NN3304CA	(5000 Power Steering 9/70->), 7000, (5600, 6600, 7600, 5610, 6610, 7610 Power Steering)
9	S.63372 Clamp - Tie Rod (7/8")		Various Models (Check Dimensions)
9	S.63373 Clamp - Tie Rod (1 1/16")		Various Models (Check Dimensions)
9	S.63374 Clamp - Tie Rod (1 3/16")		Various Models (Check Dimensions)
10	S.63375 Clamp - Tie Rod (1 7/64") (Tie Rod w/ groove for bolt)		Various Models (Check Dimensions)
10	S.63376 Clamp - Tie Rod (1 1/4") (Tie Rod w/ groove for bolt)		Various Models (Check Dimensions)
10	S.63377 Clamp - Tie Rod (1 7/64") (Tie Rod w/ groove for bolt)		Various Models (Check Dimensions)
10	S.63378 Clamp - Tie Rod (1 1/4") (Tie Rod w/ groove for bolt)		Various Models (Check Dimensions)
11	S.65948 Dust Seal - Tie Rod End (1 11/16"OD, 5/8"ID, 5/8" Thick)	C5NN3N634A	5000, 7000, 8000, 8600, 8700, 9000, 9600, 9700, TW5, TW10, TW15, TW20, TW25, TW30, TW35, 5600, 5900, 6600, 7600, 5610, 6610, 6710, 7610, 7710, 7810, 7910, 8210, Ind. 340, 3500, 3550, 420, 4400, 4500, 515, 535, 540

These parts are Sparex parts and are not manufactured by the Original Equipment Manufacturer. Original Manufacturers' names, part numbers and descriptions are quoted for reference purposes only and are not intended to indicate or suggest that our replacement parts are made by the OEM.

Sparex Replacement Spare Parts for Ford/New Holland (65->)

Tie Rods - Outer (2 Wheel Drive)

1 = RH - Outer
 2 = LH - Outer
 3 = RH - Inner
 4 = LH - Inner
 Style = A,B,C,D,E,F,G

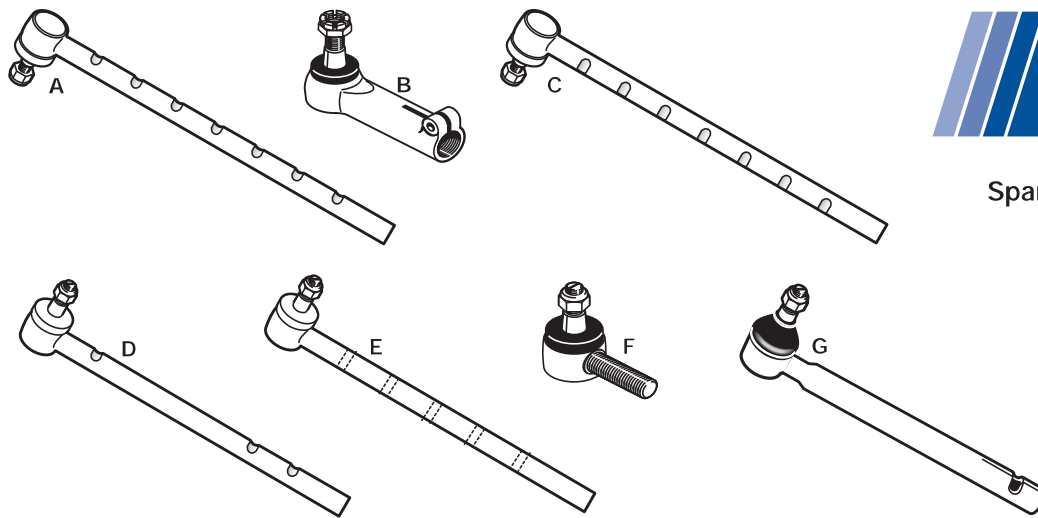


SPAREX No.	DESCRIPTION	EQUIVALENT	TRACTOR MODEL
1A	S.65057 Tie Rod - RH - Outer 19.44" X 3/4" Dia - 7 Grooves	C5NN3278A	(4000 Manual/Power Steering 65-5/67)
1B	S.65062 Tie Rod - RH - Outer 4.14" x 3/4" UNF	C5NN3289C	(4000 Manual/Power Steering 6/67->), 4600, 4610, 3430, 3930, 4130, 4630, 4830, 5030
1C	S.65063 Tie Rod - RH - Outer 15.75" x 15/16" - 7 Grooves	C5NN3280F	(5000 Manual 1/65-5/67)
1B	S.65065 Tie Rod - RH - Outer 4.40" x 15/16" UNF	C7NN3289E	(5000 Manual 6/67->), (5600, 6600, 7600, 5610, 6610 Manual)
1C	S.65064 Tie Rod - RH - Outer 15" x 15/16" - 7 Grooves	C7NN3280E	(5000 Power Steering), 7000, 5600, 6600, 7600, 5900, 5610, 6610, 7610
1C	S.63317 Tie Rod - RH - Outer 16.50" x M20 - 6 Grooves	5109528	4430
1E	S.65829 Tie Rod - RH - Outer (1 3/8" Dia)	E3NN3278AA	5900, (5610, 6610, 6810, 7610 4/85-1/86)
1A	S.65665 Tie Rod - RH - Outer (1.27" Dia) 18.40" - 7-.43" Holes Holes Top & Bottom	E3NN3278AB	5900, (5610, 6610, 6810, 7610 2/86->), 3010S, 5610S, 6610S, 7610S, 7810S, 8010
1C	S.65687 Tie Rod - RH - Outer 34.21" - 3/8" - 8 Holes Holes Left & Right	E1NN3280AA	(8700, 9700 8/76-12/78), 6700, 7700, 6710, 7710, 7910, 8210, 8530, 8630, 8730, 8830, TW5, TW10, TW15, TW20, TW25, TW30, TW35 (Long wheel base tractors)
1F	S.65686 Tie Rod - RH - Outer 9.33" x 1" - 16 tpi	E1NN3289AA	6700, 7700, 6710, 7710, 7910, 8210, 8530, 8630, 8730, 8830, 8700, 9700 8/76-12/78), TW5, TW10, TW15, TW20, TW25, TW30, TW35 (Short wheel base tractors)
1E	S.66356 Tie Rod - RH - Outer	E9NN3278AA	5640, 6640, 7740 7840, TS90, TS100, TS110
2A	S.65057 Tie Rod - LH - Outer 19.44" x 3/4" - 7 Grooves	C5NN3278A	4000, 4600, 4610, (3430, 3930, 4130, 4630, 4830, 5030 ->5/93)
2C	S.65058 Tie Rod - LH - Outer	C5NN3281C	(5000 Manual 65-5/67)
2D	S.65060 Tie Rod - LH - Outer 18.14" x 15/16" - 7 Grooves	C7NN3280F	(5000 Manual 6/67->), (5600, 6600, 7600, 5610, 6610 Manual)
2C	S.65059 Tie Rod - LH - Outer 16.06" x .95" - 7 Grooves	C7NN3281A	(5000, 7000, 5600, 6600, 7600, 5610, 6610, 7610 Power Steering)
2B	S.65666 Tie Rod - LH - Outer 4.92" x 1" - 16 tpi - offset	E3NN3289AA	5900, 3010S, 5610, 6610, 6610S, 6810, 7610, 7610S, 7810, 7810S, 8010
2F	S.65686 Tie Rod - LH - Outer 9.33" x 1" - 16 tpi	E1NN3289AA	6700, 7700, 6710, 7710, 7910, 8210, 8530, 8630, 8730, 8830, (8700, 9700 8/76-12/78), TW5, TW10, TW15, TW20, TW25, TW30, TW35 (Long wheel base tractors)
2F	S.63167 Tie Rod - LH - Outer 3.13" x M20 x 1	5109526	3830, 4330, 4430
2F	S.63168 Tie Rod - LH - Outer 3.13" X M20 X 1	5109553	3430, 3930, 4130, 4630, TN65F, TN75F, TN90F
2B	S.66355 Tie Rod - LH - Outer	E9NN3289AA	5640, 6640, 7740, 7840, 8240, 8340, TS90, TS100, TS110

Sparex Replacement Spare Parts
for Ford/New Holland (65->)

Tie Rods - Inner (2 Wheel Drive)

1 = RH - Outer
2 = LH - Outer
3 = RH - Inner
4 = LH - Inner
Style = A,B,C,D,E,F,G

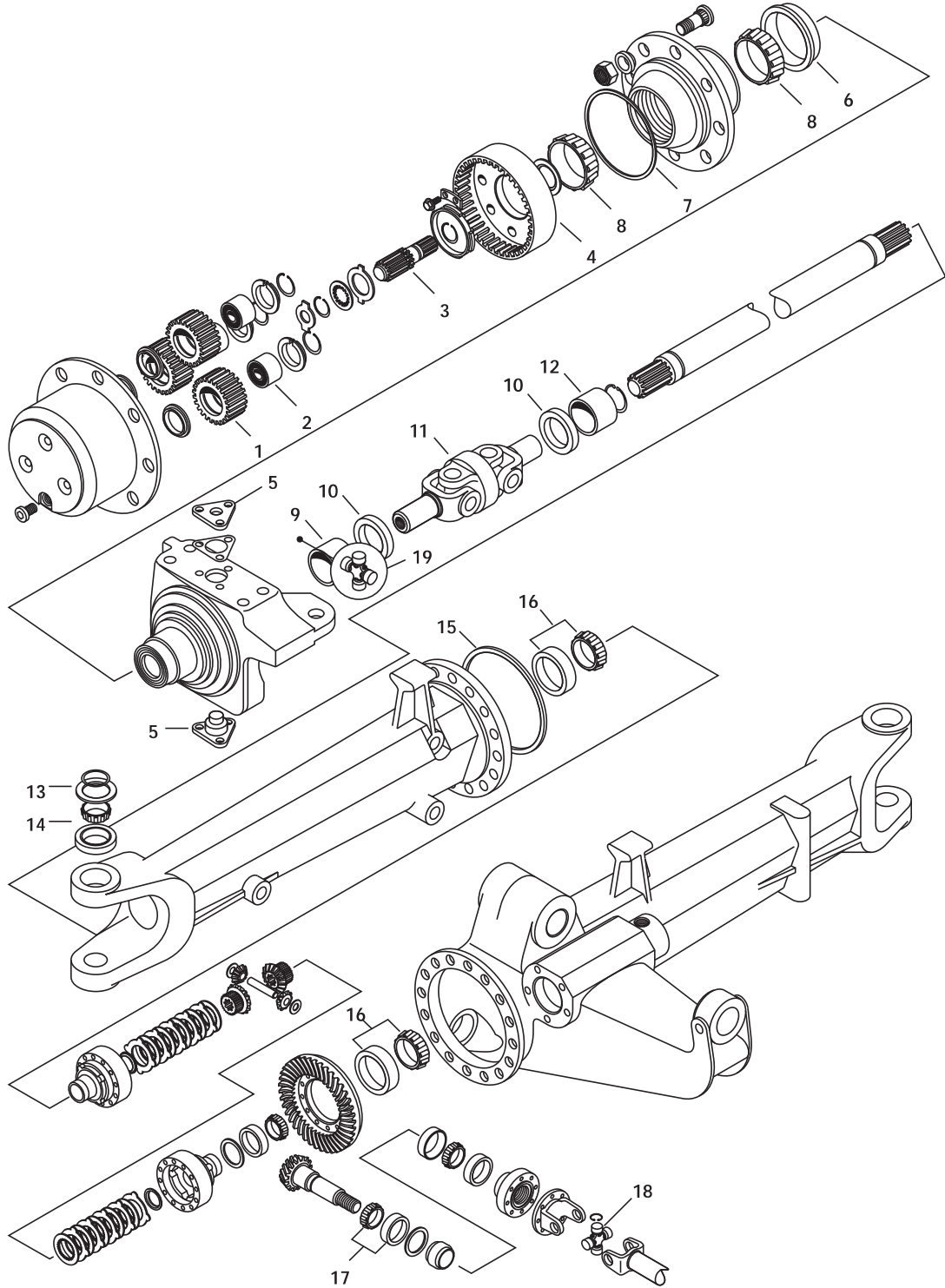


SPAREX No.	DESCRIPTION	EQUIVALENT	TRACTOR MODEL
3F	S.65067 Tie Rod - RH - Inner (4.14" x 1" UNF)	C7NN3289D	(5000 Power Steering 9/70->), 7000, 5600, 6600, 7600, (5610, 6610, 7610 ->3/85)
3G	S.65061 Tie Rod - RH - Inner (14.5" x 3/4" Dia)	D4NN3278A	(2600, 3600, 4100 w/ Cab), (2310, 2610, 2810, 2910, 3610, 3910, 4110 w/ Q Cab UK), (233, 333 w/ Cab), (334, 335 w/ Q Cab UK)
4G	S.65066 Tie Rod - LH - Inner (18.79" x 15/16" Dia)	C7NN3B161A	(5000 Power Steering 9/70->), 7000, 5600, 6600, 7600, 5900, 5610, 6610, 7610
4G	S.65061 Tie Rod - LH - Inner (4.5" x 3/4" Dia)	D4NN3278A	(2600, 3600, 4100 w/ Cab), (2310, 2610, 2810, 2910, 3610, 3910, 4110 w/ Q Cab UK), (233, 333 w/ Cab), (334, 335 w/ Q Cab UK)
4F	S.66003 Tie Rod - LH - Inner	E3NN3308BA C5NN3308D	4400, 515

These parts are Sparex parts and are not manufactured by the Original Equipment Manufacturer. Original Manufacturers' names, part numbers and descriptions are quoted for reference purposes only and are not intended to indicate or suggest that our replacement parts are made by the OEM.

Sparex Replacement Spare Parts
for Ford/New Holland (65->)

ZF Axle:
APL 325



Sparex Replacement Spare Parts for Ford/New Holland (65->)

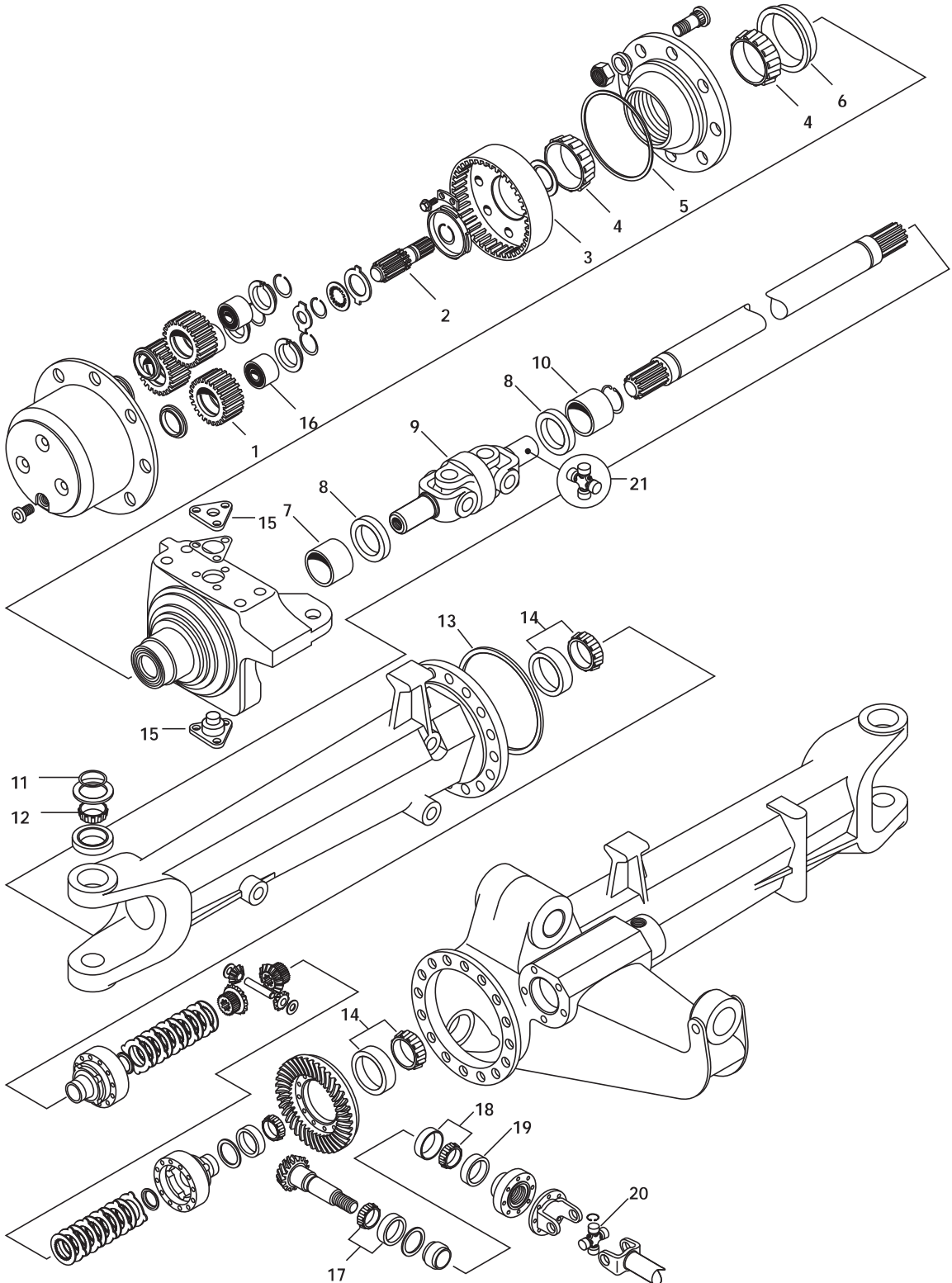
ZF Axle: APL 325 (5610, 5900, 6610, 6710, 6810, 7610, 7710 81->4/84), (7910, 8210 82->2/84)

SPAREX No.	DESCRIPTION	EQUIVALENT	TRACTOR MODEL
1	S.07700	Gear	E1NN4044AB (5110, 5610, 5900, 6410, 6610, 6710, 6810, 7410, 7610, 7710 81->4/84) (7910, 8210 82->2/84)
2	S.07772	Bearing Assembly	E2NN1N055AA Same as Above
3	S.07701	Drive Shaft	E1NN3A328AB Same as Above
4	S.07702	Ring Gear	E1NN1N043AA (5110, 5610, 5900, 6410, 6610, 6710, 6810, 7410, 7610, 7710 81->4/84) (7910, 8210 82->2/84)
5	S.07703	King Pin	E1NN3B626AA Same as Above
6	S.07747	Hub Seal	ZP0750110147 Same as Above
7	S.07773	Seal	E1NN1N050AA (5110, 5610, 5900, 6410, 6610, 6710, 6810, 7410, 7610, 7710 81->4/84) (7910, 8210 82->2/84)
8	S.07754	Bearing Assembly	ZP0750117062 5136951 (5110, 5610, 5900, 6410, 6610, 6710, 6810, 7410, 7610, 7710 81->4/84)
9	S.07775	Bush - Outer	ZP0730260617 (5110, 5610, 5900, 6410, 6610, 6710, 6810, 7410, 7610, 7710 81->4/84) (7910, 8210 82->2/84)
10	S.07776	Seal	ZP0750110133 Same as Above
11	S.07704	Joint Assembly	ZP7029910201 Same as Above
12	S.07777	Bush - Inner	ZP0730260616 (5110, 5610, 5900, 6410, 6610, 6710, 6810, 7410, 7610, 7710 81->4/84) (7910, 8210 82->2/84)
13	S.07778	O-Ring	E1NN3125AA Same as Above
14	S.07779	Bearing Assembly	ZP0750117306 (5110, 5610, 5900, 6410, 6610, 6710, 6810, 7410, 7610, 7710 81->4/84) (7910, 8210 82->2/84)
15	S.07780	Seal	E1NN3N267AA Same as Above
16	S.04235	Bearing Assembly	67370 67371 5132342 WAA4221A WAA4222A (5110, 5610, 5900, 6410, 6610, 6710, 6810, 7410, 7610, 7710 81->4/84) (7910, 8210 82->2/84)
17	S.07781	Bearing Assembly	ZP0750117350 Same as Above
18	S.66025	Universal Joint (34 x 97mm) Center Greaser	E3NN4635AA 5610, 6610, 6710, 7610, 7710, 7910, 8210
18	S.13905	Universal Joint (34 x 97mm) End Greaser	E3NN4635AA Same as Above
19	S.72445	Universal Joint (27 x 70mm)	ZP7029457210 (5610, 5900,6610, 6710, 7610, 7710 81->4/84), (7910, 8210 82->2/84)

These parts are Sparex parts and are not manufactured by the Original Equipment Manufacturer. Original Manufacturers' names, part numbers and descriptions are quoted for reference purposes only and are not intended to indicate or suggest that our replacement parts are made by the OEM.

Sparex Replacement Spare Parts
for Ford/New Holland (65->)

ZF Axle:
APL 335

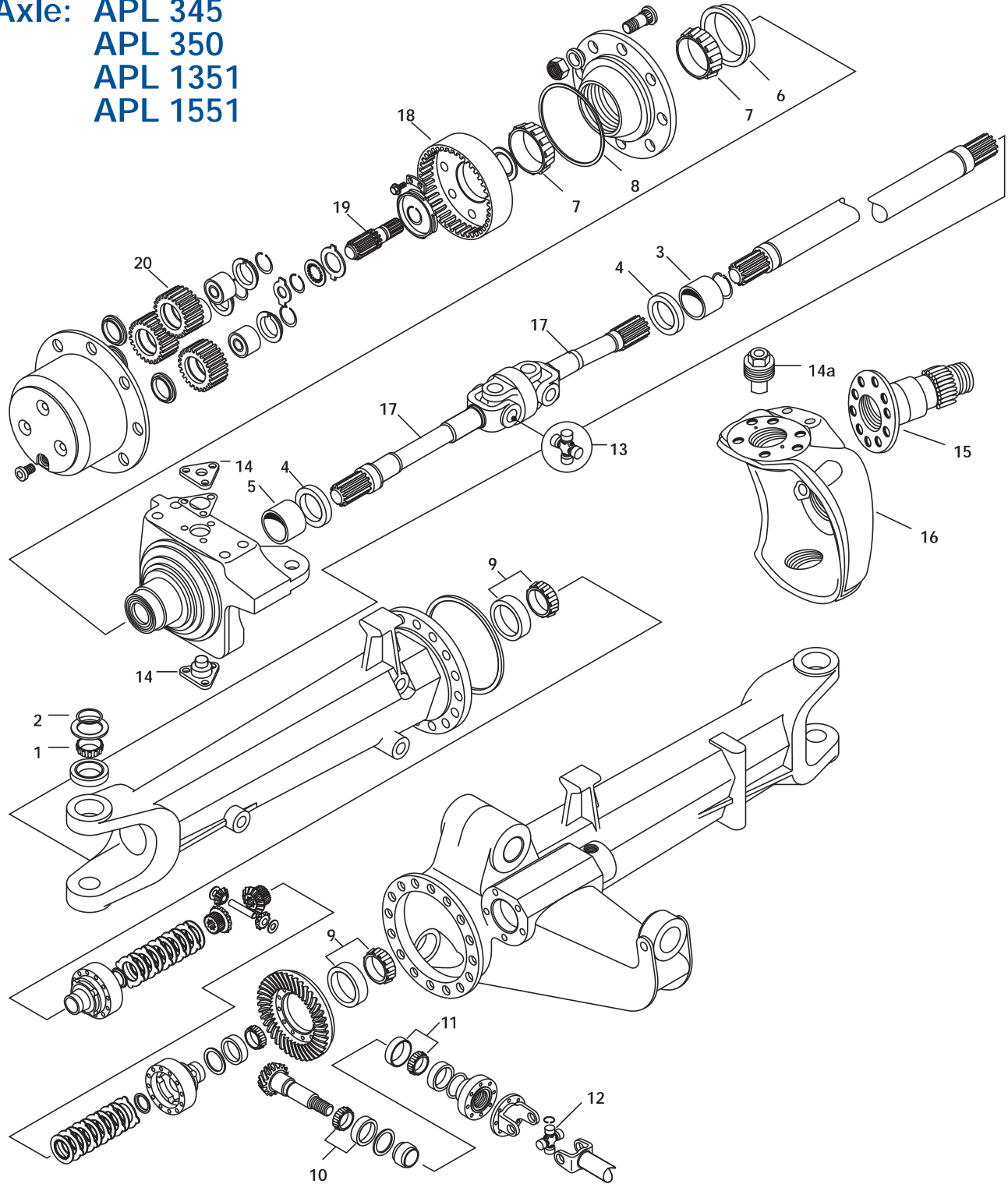


ZF Axle: APL 335 (5610, 6410, 6610, 6810, 7610 5/84->1/87)

SPAREX No.	DESCRIPTION	EQUIVALENT	TRACTOR MODEL
1	S.07705	Gear	ZP4472352014 (5610, 6410, 6610, 6810, 7610 5/84->1/87)
2	S.07706	Drive Shaft	ZP0769126310 Same as Above
3	S.07707	Ring Gear	ZP4472352168 Same as Above
4	S.07754	Bearing Assembly	ZP0750117062 5136951 Same as Above
5	S.07773	Seal	E1NN1N050AA Same as Above
6	S.07747	Hub Seal	ZP0750110147 Same as Above
7	S.07782	Bush - Outer	ZP0730260618 Same as Above
8	S.07783	Seal	ZP0750110134 Same as Above
9	S.07709	Joint Assembly	ZP7029910301 Same as Above
10	S.07782	Bush - Inner	ZP0730260618 Same as Above
11	S.07784	O-Ring	ZP0634303409 Same as Above
12	S.18253	Bearing Assembly -	ZP0750117169 Same as Above
13	S.07780	Seal	E1NN3N267AA Same as Above
14	S.04235	Bearing Assembly	67370 67371 5132342 WAA4221A WAA4222A Same as Above
15	S.07708	King Pin	ZP4472352162 Same as Above
16	S.07772	Bearing Assembly	E2NN1N055AA Same as Above
17	S.07786	Bearing Assembly	ZP0735370350 Same as Above
18	S.07787	Bearing Assembly	ZP0735370840 Same as Above
19	S.07788	Seal	ZP0750110088 Same as Above
20	S.66025	Universal Joint (34 x 97mm) Center Greaser	E3NN4635AA Same as Above
20	S.13905	Universal Joint (34 x 97mm) End Greaser	E3NN4635AA Same as Above
21	S.72445	Universal Joint (27 x 70mm)	ZP7029457210 Same as Above

Sparex Replacement Spare Parts
for Ford/New Holland (65->)

ZF Axle: APL 345
APL 350
APL 1351
APL 1551



ZF Axle:
APL 345, APL 350,
APL 1351, APL 1551



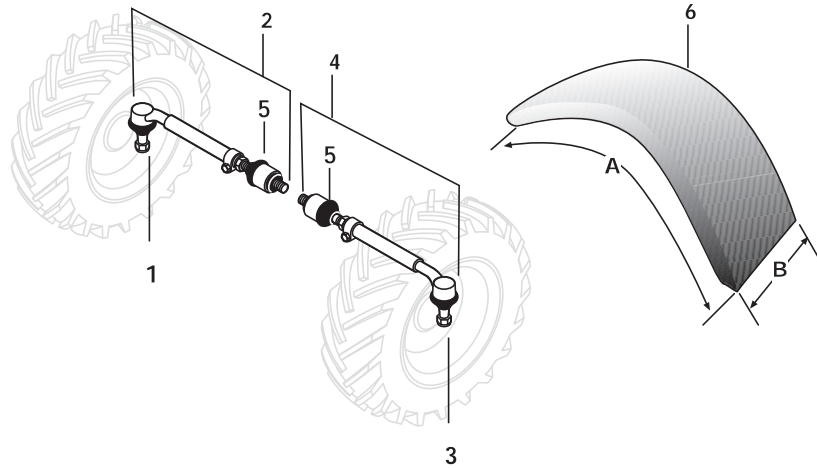
Sparex Replacement Spare Parts
for Ford/New Holland (65->)

SPAREX No.	DESCRIPTION	EQUIVALENT	TRACTOR MODEL
1	S.18509 Bearing Assembly	ZP0750117386 5132343	(5600, 6600, 6700 APL1351), (6710 4/84->4/87), (7600 APL1551) (7610 4/85->4/87), (7700 APL1551), (7710 4/84->4/87) (7910, 8210 1/83->), (TW5, TW15, TW25 1/83->)
2	S.07789 O-Ring	ZP0634306249	(6710 4/84->2/87), (7710 4/84->2/87), (7910, 8210 3/84->), TW5, TW15, TW25
2	S.14527 O-Ring	ZP0634303482	(7610 4/85->4/87)
3	S.07782 Bush - Inner	ZP0730260618	(6710 4/84->), (7610 4/85->4/87), (7710 4/84->1/87) (7910, 8210 3/84->1/87), (TW5, TW15, TW25 1/83->1/84)
4	S.07783 Seal	ZP0750110134	Same as Above
5	S.07790 Bush - Outer	ZP0730260619	Same as Above
6	S.07791 Hub Seal	ZP0750110156	(6710 4/84->), (7710 4/84->7), (7910, 8210 3/84->7), (TW5, TW15, TW25 1/83->)
7	S.65950 Bearing Assembly	ZP07353701501	Same as Above
8	S.07792 Seal	E2NN1N050AA	Same as Above
9	S.18218 Bearing Assembly	ZP0750117380 CAR27309 9968054	(6710 4/84->4/87), (7600 APL1551), (7610 4/85->4/87), (7700 APL1551), (7710 4/84->1/87), (7910, 8210 3/84->4/87), (TW5, TW15, TW25 1/83->)
10	S.07794 Bearing Assembly	ZP0750117354	Same as Above
12	S.66025 Universal Joint (34 x 97mm) Center Greaser	E3NN4635AA	(5600, 5700, 6600, 6700 APL1351), (6710 4/84->4/87), (7600 APL1551), (7610 4/85->4/87), (7700 APL1551), (7710 4/84->4/87), (7910, 8210 3/84->4/87), (TW5, TW15, TW25 1/83->)
12	S.13905 Universal Joint (34 x 97mm) End Greaser	E3NN4635AA	Same as Above
13	S.71451 Universal Joint (30 x 82mm) Center Greaser	83961171	APL 350 - 6710, 7610, 7710, 7910, 8210, TW5, TW15, TW25
13	S.42390 Universal Joint (27 x 82mm)	ZP1927841	APL 1351 - 5600, 5700, 6600, 6700
13	S.66025 Universal Joint (34 x 97mm)	E3NN4635AA	APL 355 - TW5, TW15
13	S.62346 Universal Joint (35 x 97mm)		APL 365 - 8530, 8630, 8730, 8830, TW25, TW35
13	S.71452 Universal Joint (38 x 106mm)	ZP1927253	APL 3052, APL 3054 - TW10, TW20, TW30, TW35
14	S.07828 King Pin	ZP4472353195 ZP4472353680	(6710 4/84->4/87), (7610 4/85->4/87), (7710 4/84->4/87) (7910, 8210 3/84->4/87), (TW5, TW15, TW25 1/83->)
14a	S.07837 King Pin - Threaded	ZP1927576	APL 1351 - 5600, 6600, 6700
15	S.07838 Axle Gear - 38 Teeth	ZP1927860	Same as Above
16	S.07858 Housing - LH	ZP4468358031	(APL 1351 - 5600, 6600, 6700 1/77-12/81)
16	S.07859 Housing - RH	ZP4468358032	Same as Above
17	S.66897 Shaft & Yoke (Short 9 1/4")	ZP1927571	APL 1351 - 5600, 6600, 6700
17	S.52770 Shaft & Yoke (Long)	ZP1927573	APL 1351 - 5600, 6600, 6700
18	S.33395 Ring Gear	ZP4472353419	(7610 4/85-4/87)
19	S.67218 Drive Shaft	ZP4472353158	(6710, 7710 4/84-2/87), TW5, TW15, TW25 3/84->)
20	S.67164 Drive Gear	ZP4472353463	(6710, 7710 4/84-2/87), TW5, TW15, TW25, 8530, 8630

These parts are Sparex parts and are not manufactured by the Original Equipment Manufacturer. Original Manufacturers' names, part numbers and descriptions are quoted for reference purposes only and are not intended to indicate or suggest that our replacement parts are made by the OEM.

Sparex Replacement Spare Parts
for Ford/New Holland (65->)

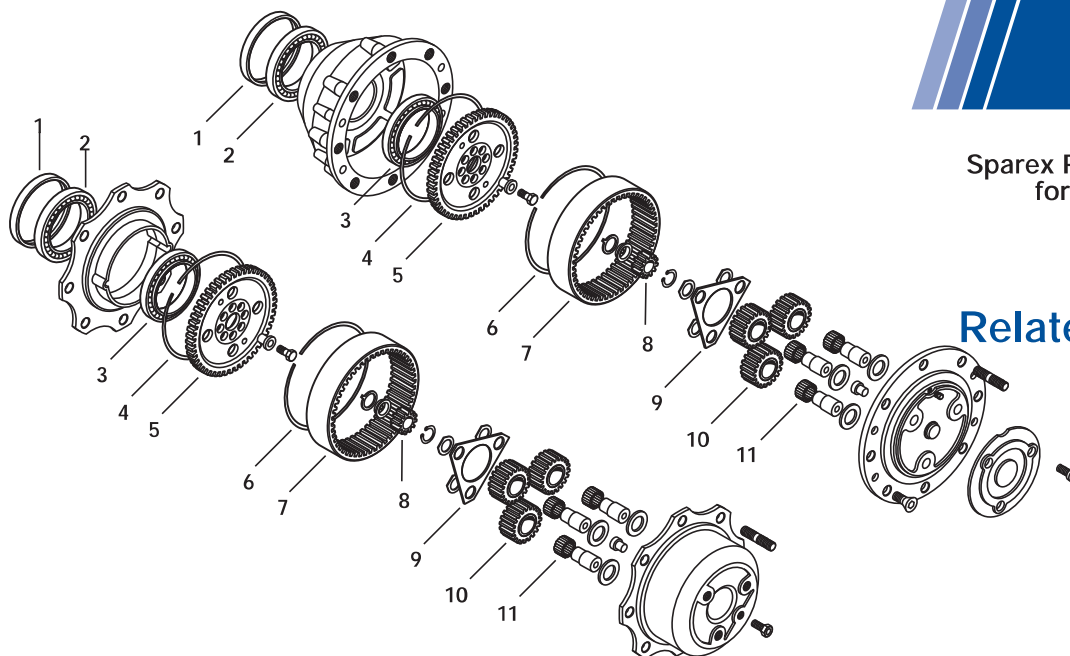
Tie Rods Ends and Fender (4 Wheel Drive w/ ZF Axles)



SPAREX No.	DESCRIPTION	EQUIVALENT	TRACTOR MODEL
1	S.07796 Tie Rod End - RH - Outer (20mm Curved)	ZP0501206191 ZP0501205469	(5900 1/84-4/84), 5610, 6610, 6710, (6810, 7610, 7710 1/81-1/87), (ZF Axles APL 325, APL 335)
1	S.07799 Tie Rod End - RH - Outer (24mm)	ZP0750137057	(7910, 8210, TW5, TW15, TW25 1/83-12/84) (ZF Axles APL 345)
1	S.07802 Tie Rod End - RH - Outer (18mm)	ZP0501205464	(6710, 7610, 7710 4/85-4/87), (7910, 8210, TW5, TW15, TW25 4/84->) (ZF Axle APL 350)
1	S.07803 Tie Rod End - RH - Outer (24mm)	ZP0501205462	(TW5, TW15, 84->) (ZF Axle APL 355), 8530, 8630
1	S.07805 Tie Rod End - RH - Outer (28mm)	ZP0501205395	(TW25, TW35 84-3/92), 8730, 8830 84-3/92) (ZF Axle APL 365)
2	S.65862 Tie Rod Assembly (24mm)	ZP0750137050	(TW5, TW15, 84->) (ZF Axle APL 355)
2	S.65861 Tie Rod Assembly (28mm)	ZP0501205310	(TW25, TW35 84-3/92), (8530, 8630, 8730, 8830 84-3/92), (ZF Axle APL 365)
3	S.07795 Tie Rod End - LH - Outer (20mm Curved)	ZP0501206190 ZP0501205468	(5900 1/84-4/84), 5610, 6610, 6710, (6810, 7610, 7710 1/81-1/87), (ZF Axles APL 325, APL 335)
3	S.07798 Tie Rod End - LH - Outer (24mm)	ZP0750137056	(7910, 8210, TW5, TW15, TW25 1/83-12/84) (ZF Axles APL 345)
3	S.07801 Tie Rod End - LH - Outer (18mm)	ZP0501205463	(6710, 7610, 7710 4/85-4/87), (7910, 8210, TW5, TW15, TW25 4/84->) (ZF Axle APL 350)
3	S.07800 Tie Rod End - LH - Outer (24mm)	ZP0501205461	(TW5, TW15, 84->) (ZF Axle APL 355)
3	S.07804 Tie Rod End - LH - Outer (28mm)	ZP0501205396	(TW25, TW35 84-3/92), 8530, 8630, 8730, 8830 84-3/92) (ZF Axle APL 365)
4	S.65863 Tie Rod Assembly (24mm)	ZP0750137049	(TW5, TW15, 84->) (ZF Axle APL 355)
4	S.65860 Tie Rod Assembly (28mm)	ZP0501205309	(TW25, TW35 84-3/92), 8530, 8630, 8730, 8830 84-3/92) (ZF Axle APL 365)
5	S.07797 Tie Rod End - RH/LH - Inner (20mm Curved)	ZP0501310060	(5900 1/84-4/84), 5610, 6610, 6710, (6810, 7610, 7710 1/81-1/87), (ZF Axles APL 325, APL 335)
5	S.65866 Tie Rod End - RH/LH - Inner (22mm)	ZP0750125010	(7910, 8210, TW5, TW15, TW25 1/83-12/84) (TW5, TW15, 84->) (ZF Axles APL 345, 355), 8530, 8630
5	S.65811 Tie Rod End - RH/LH - Inner (18mm)	ZP0750125014	(6710, 7610, 7710 4/85-4/87), (7910, 8210, TW5, TW15, TW25 4/84->) (ZF Axle APL 350)
6	S.31515 Front Wheel Fenders - 4 WD Molded (A=42", B=13")		Fits Tire: 9.5 x 24, 11.2 x 24, 11.2 x 28
6	S.31518 Front Wheel Fenders - 4 WD Molded (A=51", B=17")		Fits Tire: 12.4 x 28, 13.6 x 28, 14.9 x 24, 14.9 x 26
6	S.31519 Front Wheel Fenders - 4 WD Molded (A=52", B=18")		Fits Tire: 16.9 x 24, 16.9 x 26

Sparex Replacement Spare Parts
for Ford/New Holland (65->)

Wheel Hub and Related Components (Carraro Axle)



SPAREX No.	DESCRIPTION	EQUIVALENT	TRACTOR MODEL
1	S.66320 Seal - Hub (155mm x 176mm x 18mm) NOTE: Seal must be installed per OEM instructions.	9968085 CAR47705	(5610, 6610, 6610S, 6810, 7610, 7610S, 7710, 7810, 7810S, 7910, 8010, 8210, 2/87->), (5640, 6640, 7740, 7840, 8240, 8340 11/91-10/94), Ind. 250C, 260C, 345C, 345D, 445, 445A, 445C, 445D, 450, 455C, 455D, 545, 545A, 545C, 545D, (555B 1/88-10/88), 555C, 555D, 555E, 575D, 575E, (655, 655A 1/88-10/88), 655C, 655D, 655E, 675D, 675E
1	S.62305 Seal - Hub	5137109	(5640, 6640, 7740, 7840, 8240, 8340 10/94->), 8160, 8260, 8360, 8560, TN65F, TN75F, TN90F
2	S.18062 Bearing Assembly (#6212) (60mm x 110mm x 22mm)	28996590 CAR25813 C5NN7127B 20141040	(2610, 3610, 4110 1/80-> UK only), (4610 10/82-3/84 UK only), (2810, 2910, 3910, 4110, 4610 4/84->)
2	S.65950 Bearing Assembly (Cone & Roller #57551) (Cup #57551)	9967690 CAR118370	(6710, 7610, 7710 4/84-2/87), (7910, 8210 1/83->), (5610, 6610, 6610S, 6810, 7610, 7610S, 7710, 7810, 7810S, 7910, 8010, 8210 2/87->), 8530, 8630, TW5, TW15, TW25, (5640, 6640, 7740, 7840, 8240, 8340 11/91-10/94) Ind. 250C, 260C, 345C, 345D, 445, 445A, 445C, 445D, 450, 455C, 455D, 545, 545A, 545C, 545D, (555B 1/88-10/88), 555C, 555D, 555E, 575D, 575E, (655, 655A 1/88-10/88), 655C, 655D, 655E, 675D, 675E
2	S.07754 Bearing Assembly (95mm x 135mm x 20mm) (Bearing #515-838)	5136951 ZP0750117062	5610, 6610, (6710, 7610, 7710 1/81-4/84), (6810 ->2/87), 3230, 3430, 3930, 4130, 4630, 4830, 5030, 5635, 6635, 7635, (5640, 6640, 7740, 7840, 8240, 8340 10/94->), 8160, 8260, TN65F, TN75F, TN90F, TS90, TS100, TS110
3	S.18064 Bearing Assembly (#6214) (70mm x 125mm x 24mm)	CAR25816	(2610, 3610, 4110 1/80-> UK only), (4610 10/82-3/84 UK only), (2810, 2910, 3910, 4110, 4610 4/84->)
3	S.65950 Bearing Assembly (Cone & Roller #57551) (Cup #57551)	9967690 CAR118370	(6710, 7610, 7710 4/84-2/87), (7910, 8210 1/83->), (5610, 6610, 6610S, 6810, 7610, 7610S, 7710, 7810, 7810S, 7910, 8010, 8210 2/87->), 8530, 8630, TW5, TW15, TW25, (5640, 6640, 7740, 7840, 8240, 8340 11/91-10/94) Ind. 250C, 260C, 345C, 345D, 445, 445A, 445C, 445D, 450, 455C, 455D, 545, 545A, 545C, 545D, (555B 1/88-10/88), 555C, 555D, 555E, 575D, 575E, (655, 655A 1/88-10/88), 655C, 655D, 655E, 675D, 675E
3	S.07754 Bearing Assembly (95mm x 135mm x 20mm) (Bearing #515-838)	5136951 ZP0750117062	5610, 6610, (6710, 7610, 7710 1/81-4/84), (6810 ->2/87), 3230, 3430, 3930, 4130, 4630, 4830, 5030, 5635, 6635, 7635, (5640, 6640, 7740, 7840, 8240, 8340 10/94->), 8160, 8260, TN65F, TN75F, TN90F, TS90, TS100, TS110
4	S.07755 Lock Ring	CAR125555	(6810, 7610, 7710 2/87->), 6610S, 7610S, 7810S, (8010 4/96->), (5640, 6640, 7740, 7840 11/91-10/94)
4	S.07756 O-Ring	CAR28579	(5640, 6640, 7740, 7840, 8240, 8340 11/91-12/94)

These parts are Sparex parts and are not manufactured by the Original Equipment Manufacturer. Original Manufacturers' names, part numbers and descriptions are quoted for reference purposes only and are not intended to indicate or suggest that our replacement parts are made by the OEM.

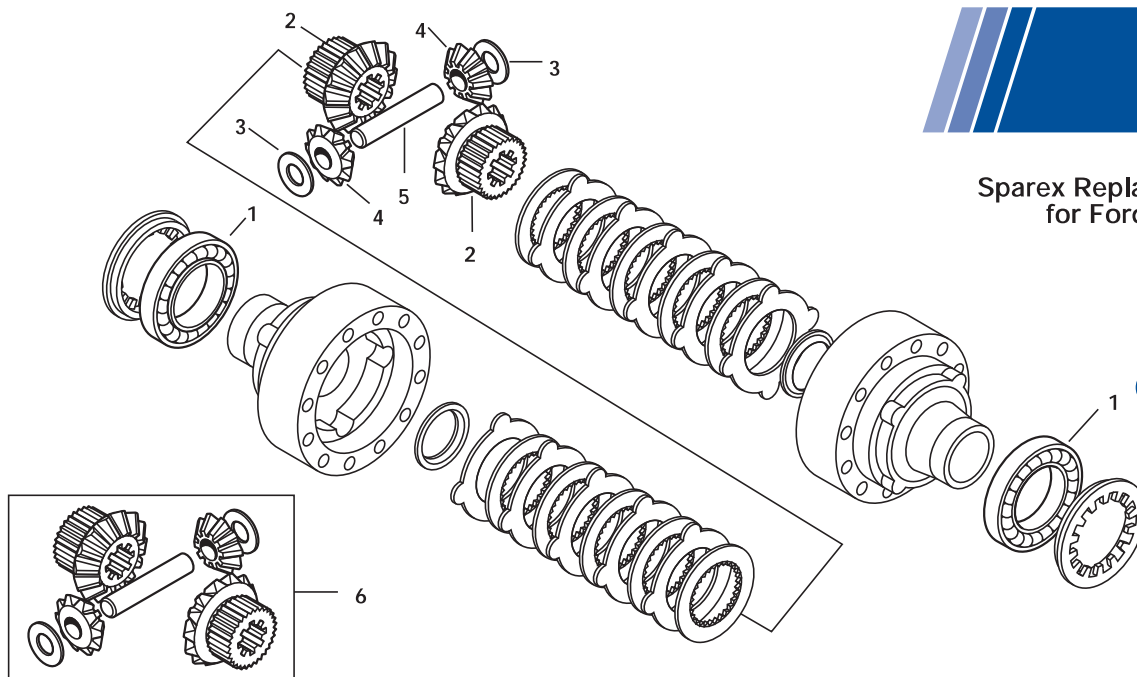
Sparex Replacement Spare Parts for Ford/New Holland (65->)

Wheel Hub and Related Components (Carraro Axle)

	SPAREX No.	DESCRIPTION	EQUIVALENT	TRACTOR MODEL
5	S.07713	Carrier	9968065 CAR125550	(5640, 6640, 7740, 7840 11/91-10/94), Ind. (250C, 260C, 9/89->), 445C, 445D, 555C, 555D, 575D, 655C, 655D, 675D, 555E, 575E, 655E, 675E NOTE: These models can be upgraded by installing S.07734, S.07713, S.07755 (5610, 6610, 7810, 7910 ->1/90) Ind. 345C, 345D, 445, 445A, 450, 455C, 545, 545A, 545C, 555B ->1/90
6	S.07755	Lock Ring	CAR125555	Same as Above
7	S.07734	Ring Gear (See Note)	9968069 CAR125549	Same as Above
7	S.07712	Ring Gear (See Note)	CAR115689	(5610, 6610, 7/87-1/90), (7810, 7910 2/87->), Ind. (345C, 345D 12/88->), (445, 445A, 450, 545, 545A 10/85-11/88) NOTE: These models can be updated by replacing S.07713, S.07755, S.07734, as a set.
8	S.07711	Pinion Gear	9968080 CAR115643	(5610, 6610, 6610S, 6810, 7610, 7610S, 7710, 7810, 7810S, 7910, 8010, 8210, 2/87->), (5640, 6640, 7740, 7840, 8240, 8340 11/91-10/94), Ind. 250C, 260C, 345C, 345D, 445, 445A, 445C, 445D, 450, 455C, 455D, 545, 545A, 545C, 545D, (555B 1/88-10/88), 555C, 555D, 555E, 575D, 575E, (655, 655A 1/88-10/88), 655C, 655D, 655E, 675D, 675E
8	S.07742	Pinion Gear	5145501	(5640, 6640, 7740, 7840, 8240, 8340 10/94->), 8160, 8260, 8360, 8560, TN65F, TN75F, TN90F
9	S.07714	Thrust Washer	CAR116458	(5610, 6610, 7/87->), 6610S, 7610S, (5640, 6640, 7740, 7840 11/91-10/94), Ind. (250C, 260C 2/90->)
10	S.07710	Planetary Gear	CAR115644	(5610, 6610, 7/87->), 6610S, 7610S, 7810S, Ind. (250C, 260C 9/89->), (555C, 555D, 575D, 655C, 675D, 5/93->), 555E, 575E, 655E, 675E
10	S.07733	Planetary Gear	CAR120836	(6810, 7610, 7710, 7810, 7910, 2/87->), (8010 4/96->), (5640, 6640, 7740, 7840 11/91-10/94), Ind. (345C, 345D 12/88->), 445, 445A, 445C, 445D, (450 10/85-11/88), 455C, 455D, 545, 545A, 545C, 545D, (555B 1/88-10/88), 555C, 555D, 575D, (655 1/88-10/88), (655A, 1/88-10/88), 655C, 655D, 675D
10	S.07741	Planetary Gear	5145497	(5640, 6640, 7740 10/94->), (7840, 8240, 8340, 1/95->), 8160, 8260, TS90, TS100, TS110
11	S.07749	Needle Bearing (180 pcs)	CAR028284	(5610, 6610, 7/87->), 6610S, 7610S, 7810S, 8010, 3230, 3430, 3930, 4130, 4630, 5030, Ind. (250C, 260C 9/89-> 8x2), 555C, 555D, 575D, 655C, 655D, 675D
11	S.07750	Needle Bearing (180 pcs)	CAR028294 CAR120837	7810, 7910, (5640, 6640, 7740 11/91-10/94), (7840 11/91-12/94), Ind. (250C, 260C, 9/89-> except 8x2 Trans), 345C, 345D, 445, 445A, 445C, 445D, (450 10/85-11/88), 455C, 455D, 545, 545A, 545C, 545D, 555B, 555C, 555D, 575D, 655A, 655C, 655D, 675D
				NOTE: CAR115689 (S.07712) has been replaced by CAR125549 (S.07734). If Carrier or Lock Rings need replaced use S.07734 Ring Gear, S.07713 Carrier, and S.07755 Lock Ring x 2, as a set.

Sparex Replacement Spare Parts
for Ford/New Holland (65->)

Differential and Related Components (Carraro Axle)

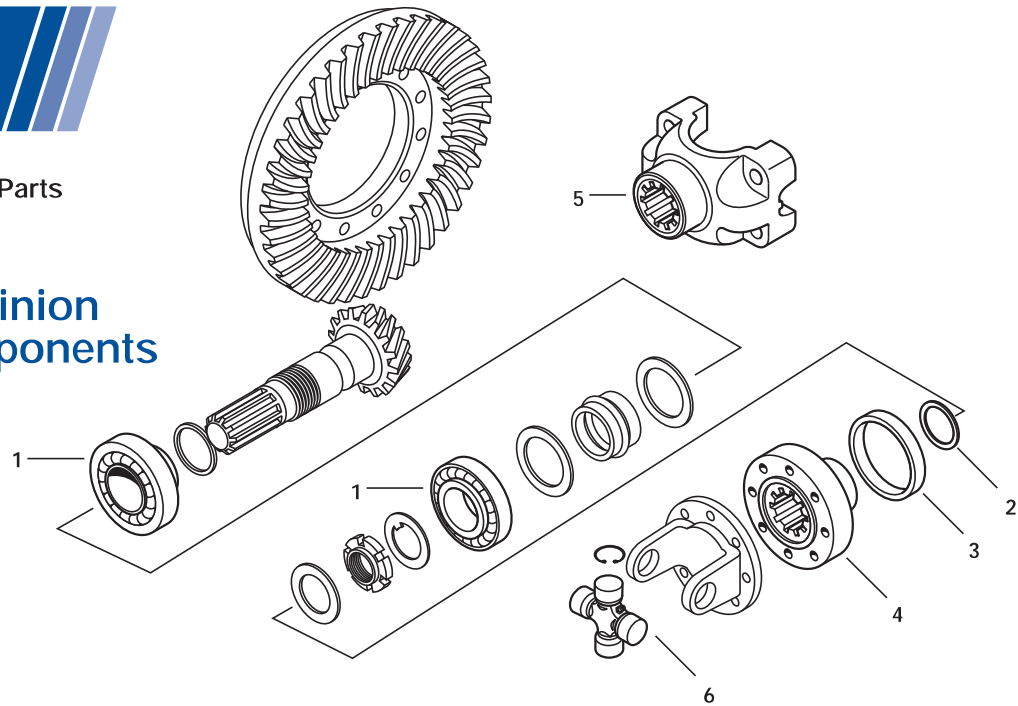


SPAREX No.	DESCRIPTION	EQUIVALENT	TRACTOR MODEL
1	S.18218 Bearing (#30210)	9968054 CAR27309 ZP0750117380	(2600, 3600, 4100 UK), (2610, 3610, 4110, 4610, 81-3/84 UK), (2810, 2910, 3910, 4110, 4610 84->), (5610, 6610, 7610, 7710, 7810, 7910, 8010 2/87->), 6610S, 7610S, 7810S, (5640, 6640, 7740, 7840, 8240, 8340 11/91-12/94), 4835, 5635, 6635, 7635, TN65F, TN75F, TN90F, Ind. (250C, 260C, 9/89->), 345C, 345D, 445A, 445C, 445D, 450, 455C, 455D, 545A, 545C, 545D, (555B 1/88->), 555C, 555D, 555E, 575D, 575E, 655, 655A, 655C, 655D, 655E, 675D, 675E
2	S.07728 Pinion Gear	CAR125991 CAR120788	(5610, 6610, 6810, 7610, 7710, 7810, 7910 2/87->), 6610S, 7610S, (5640, 6640, 7740, 11/91-10/94)
3	S.07730 Thrust Washer	CAR115730	(5610, 6610, 6810, 7610, 7710, 7810, 7910 2/87->), 8010, (5640, 6640, 7740, 7840, 8240, 8340, 11/91-10/94), Ind. (250C, 260C 9/89), 345C, 345D, 445A, 445C, 445D, 455C, 455D, 545A, 545C, 545D, 555C, 555D, 575D, 655C, 655D, 675D
4	S.07729 Gear	CAR120786	Same as Above
5	S.07727 Pin	CAR115731	(5610, 6610, 6810, 7610, 7710, 7810, 7910, 2/87->), 8010, (5640, 6640, 7740, 7840, 11/91-10/94), Ind. (250C, 260C 8x8 Trans 2/90->)
6	S.07731 Pinion Kit Contains: S.07728 x 2, S.07730 x 2, S.07729 x 2, S.07727 x 1		(5640, 6640, 7740, 7840, 11/91-10/94)

These parts are Sparex parts and are not manufactured by the Original Equipment Manufacturer. Original Manufacturers' names, part numbers and descriptions are quoted for reference purposes only and are not intended to indicate or suggest that our replacement parts are made by the OEM.

Sparex Replacement Spare Parts
for Ford/New Holland (65->)

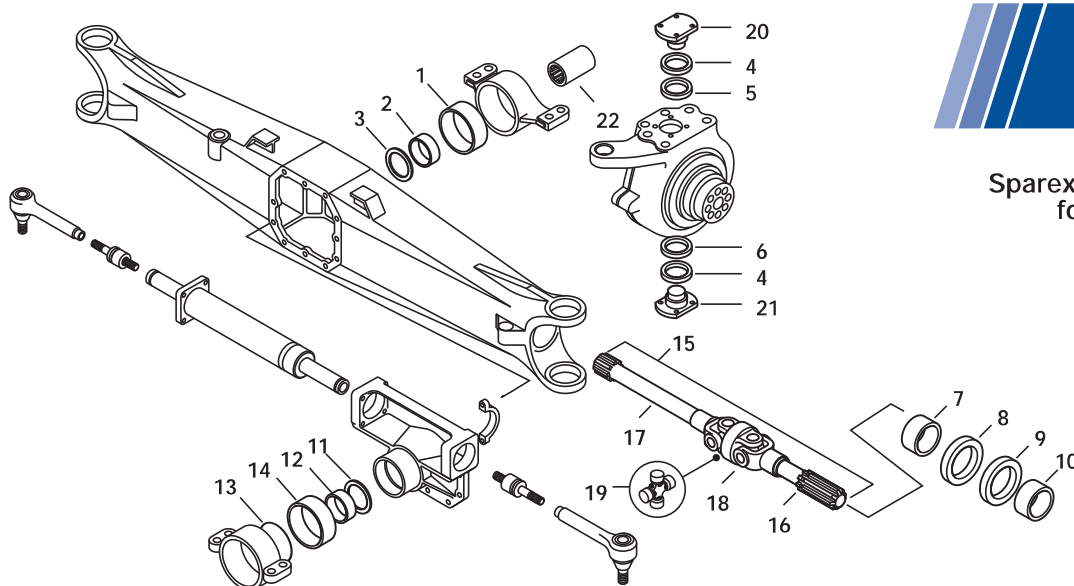
Crown Wheel & Pinion and Related Components (Carraro Axle)



SPAREX No.		DESCRIPTION	EQUIVALENT	TRACTOR MODEL
1	S.18243	Bearing Assembly (#31308)	28042230 CAR27350	(5610, 6610, 7610, 7710, 7810, 7910, 2/87->), 8010, 3010S, 6610S, 7610S, 7810S, 3830, 4430, 5640, 6640, 7740, 7840, 8240, Ind. 250C, 260C, 345C, 345D, 445A, 445C, 445D, 450, 455C, 455D, 545A, 545C, 545D, 555B, 555C, 555D, 575D, 655A, 655C, 655D, 675D
2	S.10353	O-Ring	9823358 CAR28532	(5610, 6610, 7610, 7710, 7810, 7910, 2/87->), 8010, 6610S, 7610S, 7810S
3	S.07759	Seal (65mm x 92mm x 14mm)	CAR119990	Same as Above
4	S.07732	Flange	CAR123399	Same as Above
5	S.07739	Yoke - Transmission	E9NN4851AA	(5640, 6640, 7740, 7840, 8240, 8340, 8x2 or 16x4 Trans), (TS90, TS100, TS110 8x2 Straddle Mount)
6	S.42356	U-Joint Kit (30mm x 92mm) Side Greaser	EOTZ3249A	Same as Above
6	S.42390	U-Joint Kit (82mm x 27mm)	CAR116859 CAR96867 ZP1927841	(2600, 3600, 4100, 4600 UK), (2610, 3610, 4110, 4610 UK)

Sparex Replacement Spare Parts
for Ford/New Holland (65->)

Front Axle and Related Components (Carraro Axle)

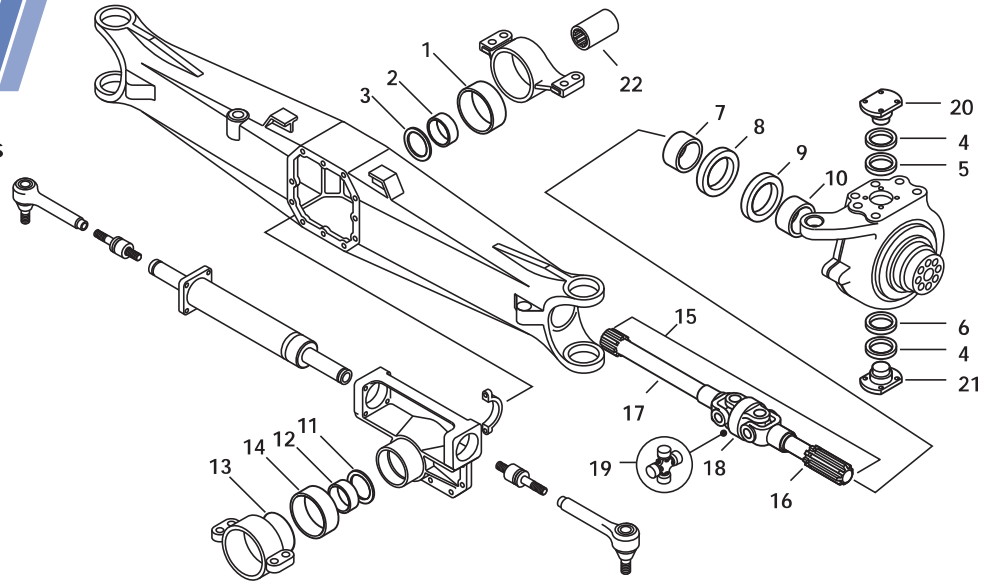


SPAREX No.	DESCRIPTION	EQUIVALENT	TRACTOR MODEL
1	S.07721 Bushings - Outer	CAR1015751	(2600, 3600, 4100, 4600 UK), 2810, 2910, 3910, 4110, 4610, 4/84->), (5610, 6610, 6810, 7610, 7710, 2/87->), 7810, 7910, 8010, 8210, 6610S, 7610S, 3230, 3430, 3930, 4130, 4630, 4830, 5030, (5640, 6640, 7740, 7840, 8240, 8340, 11/91-12/94), Ind. 250C, 260C, 345C, 345D, 445, 445A, 445C, 445D, 450, 455, 455A, 455C, 455D, 545, 545A, 545C, 545D, 555, 555A, 555B, 555C, 555D, 655, 655A, 655C, 655D, 675D
2	S.07720 Bushings - Inner	CAR1015651	Same as Above
3	S.07722 Thrust Washer	CAR115776	2810, 2910, 3910, 4110, 4610, 4/84->), (5610, 6610, 6810, 7610, 7710, 2/87->), 7810, 7910, 8010, 8210, 6610S, 7610S, 3230, 3430, 3930, 4130, 4630, 4830, 5030, (5640, 6640, 7740, 7840, 8240, 8340, 11/91-12/94), Ind. 250C, 260C, 345C, 345D, 445, 445A, 445C, 445D, 450, 455, 455A, 455C, 455D, 545, 545A, 545C, 545D, 555, 555A, 555B, 555C, 555D, 655, 655A, 655C, 655D, 675D
4	S.07760 Seal	CAR115715	Same as Above
4	S.07761 Seal	5121471	5635, 6635, 7635, (5640, 6640, 7740, 7840, 8240, 8340 1/95->) TS90, TS100, TS110
5	S.07726 Bearing - Upper (Brg #N14373)	CAR123726	(2810, 2910, 3910, 4110, 4610 4/84->), (5610, 6610, 6810, 7610, 7710, 7810, 7910 7/87->), 6610S, 7610S, 7810S, 8010, Ind. 250C, 260C, (345C 12/88-7/89), 445, 445A, (445C 12/88-7/89), (450, 455C, 545, 545A, 545C, 12/88-7/89), (555B 1/88->), (555C 11/88-7/89), (655, 655A 1/88->)
5	S.07740 Bearing - Upper (Brg #N14372)	9967999 CAR123641	(5640, 6640, 7740, 7840, 8240, 8340, 11/91-12/94), Ind. (345C, 345D, 445C 8/89->), 445D, (455C 8/89->), 455D, (545C 8/89->), 545D, (555C 8/89->), 555D, 555E, 575E, (655, 655A 1/88->), 655C, 655D, 655E, 675D, 675E
5	S.62487 Bearing - Upper (64 x 30.5 x 21mm)	5119699	5635, 6635, 7635, (5640, 6640, 7740, 7840, 8240, 10/94->), 8160, 8260, TS90, TS100, TS110
6	S.07726 Bearing - Lower (Brg #N14373)	CAR123726	(2810, 2910, 3910, 4110, 4610 4/84->), (5610, 6610, 6810, 7610, 7710, 7810, 7910 2/87->), (5640, 6640, 7740, 7840, 8240, 8340, 11/91-12/94), Ind. 250C, 260C, (345C 8/89->), 345D, 445, 445A, 445C, 450, 545C, 545D, (555C 8/89->), 555D, 575D, (655C 8/89->), 655D, 675D
6	S.62487 Bearing - Lower (64 x 30.5 x 21mm)	5119699	5635, 6635, 7635, (5640, 6640, 7740, 7840, 8240, 10/94->), 8160, 8260, TS90, TS100, TS110
6	S.07740 Bearing - Lower (Brg #N14372)	9967999 CAR123641	Ind. (555B, 655 1/88->), 655A
7	S.07762 Bushings - Inner	9968000 CAR118547	(5610, 6610, 6810, 7610, 7710, 7810, 7910 2/87->), Ind. 250C, 260C, 345C, 345D, 445A, 445C, 445D, 450, 455C, 455D, 545C, 545D, 555C, 555D, 555E, 575D, 575E, 655C, 655D, 655E, 675D, 675E

These parts are Sparex parts and are not manufactured by the Original Equipment Manufacturer. Original Manufacturers' names, part numbers and descriptions are quoted for reference purposes only and are not intended to indicate or suggest that our replacement parts are made by the OEM.

Sparex Replacement Spare Parts
for Ford/New Holland (65->)

Front Axle and Related Components (Carraro Axle)

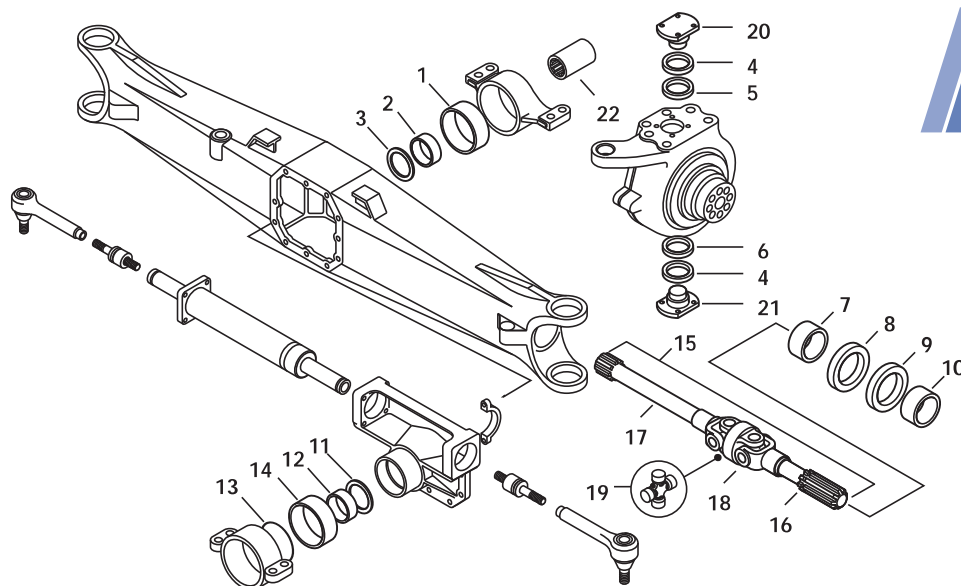


SPAREX No.	DESCRIPTION	EQUIVALENT	TRACTOR MODEL
7	S.07763 Bushings - Inner	CAR116962	(5640, 6640, 7740, 7840, 8240, 8340 11/91-12/94), (8210 2/87->), Ind. 775
8	S.57984 Oil Seal - Inner (42mm x 62mm x 14mm)	9968001 CAR116723	(5610, 6610, 6810, 7610, 7710, 7810, 7910 2/87->), Ind. 250C, 260C, 345C, 345D, 445A, 445C, 445D, 450, 455C, 455D, 545C, 545D, 555C, 555D, 555E, 575D, 575E, 655C, 655D, 655E, 675D, 675E
8	S.41755 Oil Seal - Inner (40mm x 55mm x 10mm)	CAR118675	(4610 1/81-9/82 UK), (5640, 6640, 7740, 7840, 8240, 8340 11/91->12/94), Ind. 555A, 555B, 775
9	S.42226 Oil Seal - Outer (35mm x 52mm x 16mm)	CAR116722	(5610, 6610, 6810, 7610, 7710, 7810, 7910 2/87->), 8010, 6610S, 7610S, 7810S, (5640, 6640, 7740, 7840, 8240, 8340, 11/91-12/94), Ind. 250C, 260C, 345C, 345D, 445A, 445C, 445D, 450, 455C, 455D, (545A 10/85-11/88), 545C, 545D, (555B 1/88->), 555C, 555D, 575D, (655, 655A 1/88->), 655C, 655D, 675D
10	S.07764 Bushings - Outer	9968019 CAR109972	(2600, 3600, 4100, 4600, 1/80->UK), (5610, 6610, 6810, 7610, 7710, 7810, 7910 2/87->), 8010, 6610S, 7610S, 7810S, (5640, 6640, 7740, 7840, 8240, 8340, 11/91-12/94), Ind. 250C, 260C, 345C, 345D, 445A, 445C, 445D, (450 10/85-11/88), 455C, 455D, 545A, 545C, 545D, (555B 1/88->), 555C, 555D, 555E, 575E, (655 1/88->), 655A, 655C, 655D, 655E, 675D, 675E
11	S.07725 Thrust Washer	9968006 CAR124591	(5610, 6610, 6810, 7610, 7710, 7810, 7910, 8210 2/87->), 6610S, 7610S, 7810S, (5640, 6640, 7740, 7840, 8240, 8340, 11/91-12/94), Ind. 250C, 260C, 345C, 345D, 445A, 445C, 445D, 450, 545A, 545C, 545D, 555E, 575E, 655E, 675E
12	S.07723 Sleeve	9968006 CAR124592	Same as Above
13	S.07765 O-Ring	N805193S91 CAR28556	(5610, 6610, 6810, 7610, 7710, 7810, 7910, 8210 2/87->), (8010, 6610S, 7610S, 7810S, (5640, 6640, 7740, 7840, 8240, 8340 11/91-12/94)
14	S.07724 Bushings	CAR1234751	Same as Above
15	S.07718 Axle Assembly	CAR118613	(5610, 6610 7/87->)
15	S.07738 Axle Assembly	CAR125156	(5640, 6640, 7740, 7840, 8240, 8340 11/91-10/94)
16	S.07715 Fork & Shaft - Outer	CAR40760	(5610, 6610 7/87->), Ind. (250C, 260C, 9/89-4/90), 345C, 345D, (445A 10/85->), (445C, 445D, 11/88-5/93), 450, 455C, (545A 10/85->), (545C, 545D, 11/88->), (555B, 555C, 555D, 1/88->), (655, 655A, 655C 1/88->5/93)
16	S.07737 Yoke & Shaft Assembly - Differential Side	CAR40887	(5640, 6640, 7740, 7840, 8240, 8340 11/91-10/94)
17	S.07717 Yoke & Shaft Assembly - Inner	CAR40762	(5610, 6410 7/87->)

These parts are Sparex parts and are not manufactured by the Original Equipment Manufacturer. Original Manufacturers' names, part numbers and descriptions are quoted for reference purposes only and are not intended to indicate or suggest that our replacement parts are made by the OEM.

Sparex Replacement Spare Parts
for Ford/New Holland (65->)

Front Axle and Related Components (Carraro Axle)

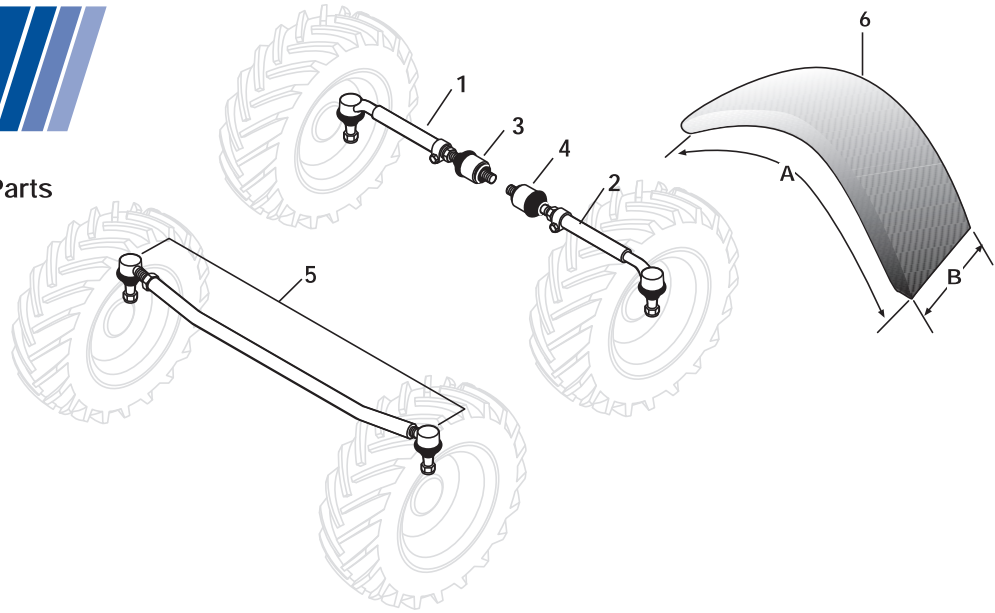


SPAREX No.	DESCRIPTION	EQUIVALENT	TRACTOR MODEL
17	S.07735 Yoke & Shaft Assembly - Wheel Side	9968061 CAR40844	(5640, 6640, 7740, 7840, 8240, 8340 11/91-12/94), Ind. (250C, 260C 5/90->), (345D, 445D, 545D, 555C, 555D, 555E, 575D, 575E, 655C, 655D, 655E, 675D, 675E, 5/93->)
18	S.07716 Double Fork (Less U-Joint)	CAR116153	(5610, 6610 7/87->), Ind. (250C, 260C 9/89-4/90), (345C, 345D 11/88-5/93), (445A 10/85->), (455C, 455D 11/88-5/93), 450, 455C, 455D, (545A 10/85->), (545C, 545D 11/88-5/93), (555B 1/88->), (555C 11/88-5/93), (655, 655B 1/88->), (655C 11/88-5/93)
18	S.07736 Double Yoke (Less U-Joint)	CAR519056 CAR40826	(5640, 6640, 7740, 7840, 8240, 8340 11/91-10/94)
19	S.42390 Universal Joint (82 x 27mm)	CAR96867 CAR116859 ZP1927841	(2600, 3600, 4100, 4600 1/80->UK), (6810 2/87-7/87), (7610, 7710, 7810, 7910, 8210 2/87->), 6610S, 7610S, 7810S, 8010
19	S.65845 Universal Joint (74.5 x 27mm) No Grease Zerk	CAR107625	(2610, 3610, 4110 1/81->3/84 UK), (4610 1/81->9/82 UK), (2810, 2910, 3910, 4110 4610 4/84->), (5610, 6610, 6810 7/87->), Ind. 250C, 260C 9/89-4/90), (345C, 345D, 445, 445C, 445D 11/88-5/93), 455C, 455D, (545, 545A, 545C, 545D 11/88-5/93), (555B, 555C, 655, 655A, 655C 11/88->5/93)
19	S.72448 Universal Joint	9968059 CAR40825	5640, 6640, 7740, 7840, 8240, 8340, Ind. (250C, 260C 5/90->), (345C, 345D 5/93->), (455D, 545D, 555C, 555D, 555E, 655C, 655D, 655E 5/93->), 575E, 675E
20	S.07719 King Pin - Upper	CAR115729	(5610, 6610, 6810, 7610, 7710, 7810, 7910 2/87->), 6610S, 7610S, 7810S, 8010
20	S.07766 King Pin - Upper	CAR125149	(5640, 6640, 7740, 7840, 8240, 8340 11/91-10/94)
20	S.07767 King Pin - Upper	CAR118526	Ind. 250C, 260C, (445A 10/85-11/88), 450 (545A 10/85-11/88), (555B, 655 1/88->)
21	S.07719 King Pin - Lower	CAR115729	(5610, 6610, 6810, 7610, 7710, 7810, 7910 2/87->), 6610S, 7610S, 7810S, 8010
21	S.07767 King Pin - Lower	CAR118526	(5640, 6640, 7740, 7840, 8240, 8340 11/91-12/94), Ind. 250C, 260C, (345, 445 12/88-7/89), 450, 455C, (545A, 545C 12/88-7/89), (555B, 555C, 655, 655A 1/88->)
22	S.66753 Coupling - Drive Shaft	82006339 F1NN4684AA12B	(5640, 6640, 7740, 7840, 8340 12 x 12 or 16 x 16 Trans), TS90, TS100, TS110

These parts are Sparex parts and are not manufactured by the Original Equipment Manufacturer. Original Manufacturers' names, part numbers and descriptions are quoted for reference purposes only and are not intended to indicate or suggest that our replacement parts are made by the OEM.

Sparex Replacement Spare Parts
for Ford/New Holland (65->)

Tie Rods and Fender w/ Carraro Axle (4 Wheel Drive)



SPAREX No.	DESCRIPTION	EQUIVALENT	TRACTOR MODEL
1	S.65810 Tie Rod - RH/RH Thread - Outer	CAR48983 CAR49005	(5610, 6610, 7610, 7710, 7810, 7810S, 7910 2/87->), (8010 4/96->)
1	S.65867 Tie Rod - RH/RH Thread - Outer	CAR48981 CAR49014	(8210 2/87->)
1	S.70605 Tie Rod - RH/RH Thread - Outer	CAR48998	3230, 3430, 3930, 4130, 4630, 4830, 5030
1	S.07768 Tie Rod - RH/LH Thread - Outer	CAR48978	(5640, 6640, 7740, 7840 11/91-12/94)
2	S.65869 Tie Rod - LH/LH Thread - Outer	CAR49007	(5610, 6610, 7610, 7710, 7810, 7910 2/87->), 6610S, 7610S, 7810S
2	S.65865 Tie Rod - LH/LH Thread - Outer	CAR48980 CAR49012	(8210 2/87->)
2	S.70604 Tie Rod - LH/LH Thread - Outer	CAR48997	3230, 3430, 3930, 4130, 4630, 4830, 5030
2	S.07769 Tie Rod - LH/RH Thread - Outer	CAR48979	(5640, 6640, 7740, 7840 11/91-12/94)
2	S.63168 Tie Rod - LH/RH Thread - Outer	5109553	3010S, 4430 Orchard, 4835, 5635, 6635, 7635, (5640, 6640 7740, 7840 10/94->), TS90, TS100, TS110
3	S.65811 Tie Rod - RH/RH Thread - Inner	CAR49001	(5610, 6610, 6810, 7610, 7710, 7810, 7910 2/87->), 6610S, 7610S, 7810S, 8010, (3230, 3430, 3930, 4130, 4630, 4830 5030 3/90->)
3	S.65866 Tie Rod - RH - Inner	CAR49013 9968018	(8210 2/87->), Ind. 555E, 575E, 655E, 675E
3	S.65864 Tie Rod - RH/LH Thread - Inner	CAR49008	(5640, 6640, 7740, 7840, 8240, 8340 11/91-12/94)
4	S.65868 Tie Rod - LH/LH Thread - Inner	CAR49006	(5610, 6610, 6810, 7610, 7710, 7810, 7910 2/87->), 6610S, 7610S, 7810S, 8010, (3230, 3430, 3930, 4130, 4630, 4830 5030 3/90->)
4	S.65864 Tie Rod - LH/LH Thread - Inner	CAR49008	(8210 2/87->)
4	S.65866 Tie Rod - LH - Inner	CAR49013	(5640, 6640, 7740, 7840, 8240, 8340 11/91-12/94), Ind. 555E, 575E, 655E, 675E
5	S.07770 Tie Rod Assembly	5168933	(5640, 6640, 7740 10/94->), (7840 1/95->), TS90, TS100, TS110
6	S.31515 Front Wheel Fenders - 4 WD Molded (A=42", B=13")		Fits Tire: 9.5 x 24, 11.2 x 24, 11.2 x 28
6	S.31518 Front Wheel Fenders - 4 WD Molded (A=51", B=17")		Fits Tire: 12.4 x 28, 13.6 x 28, 14.9 x 24, 14.9 x 26
6	S.31519 Front Wheel Fenders - 4 WD Molded (A=52", B=18")		Fits Tire: 16.9 x 24, 16.9 x 26