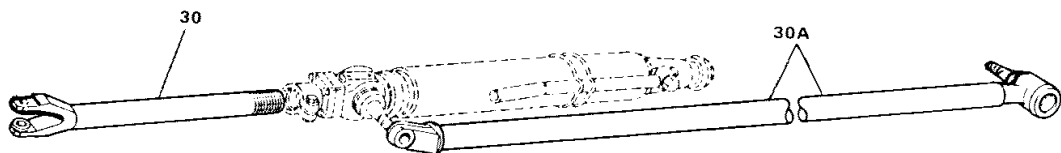
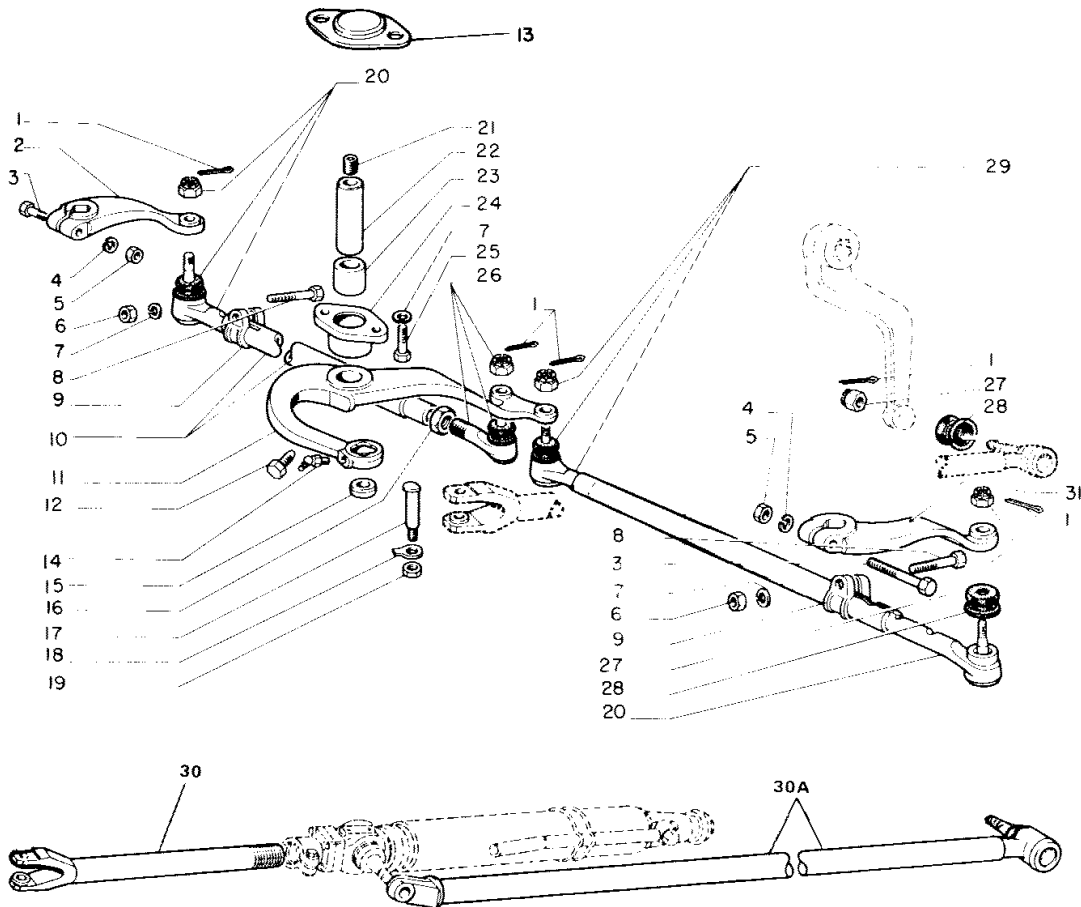
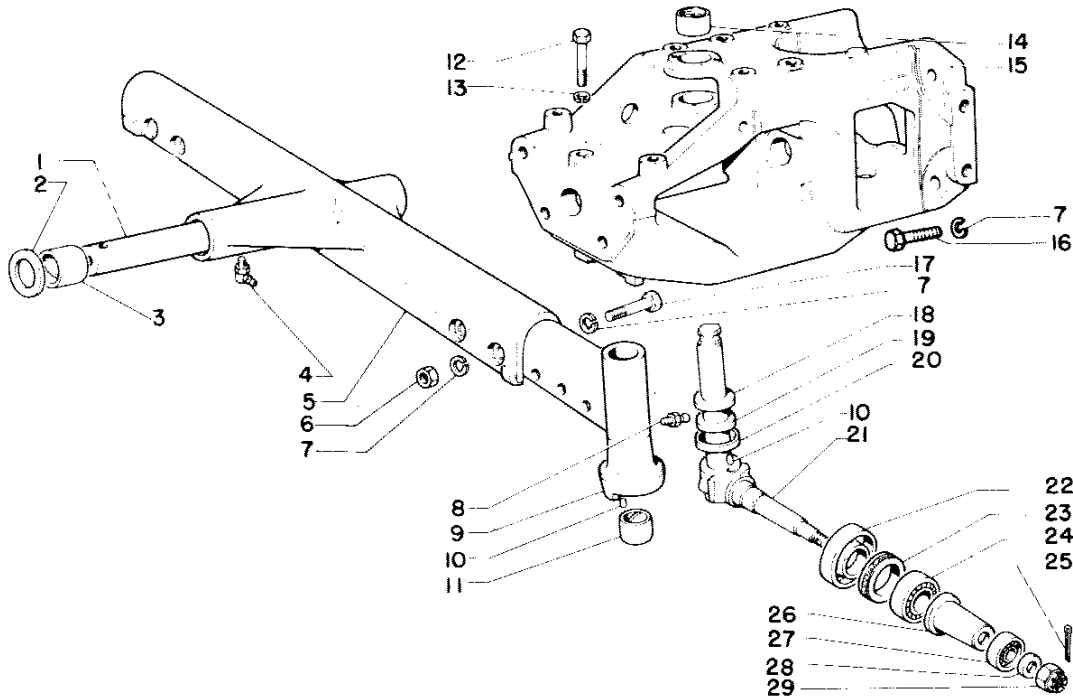
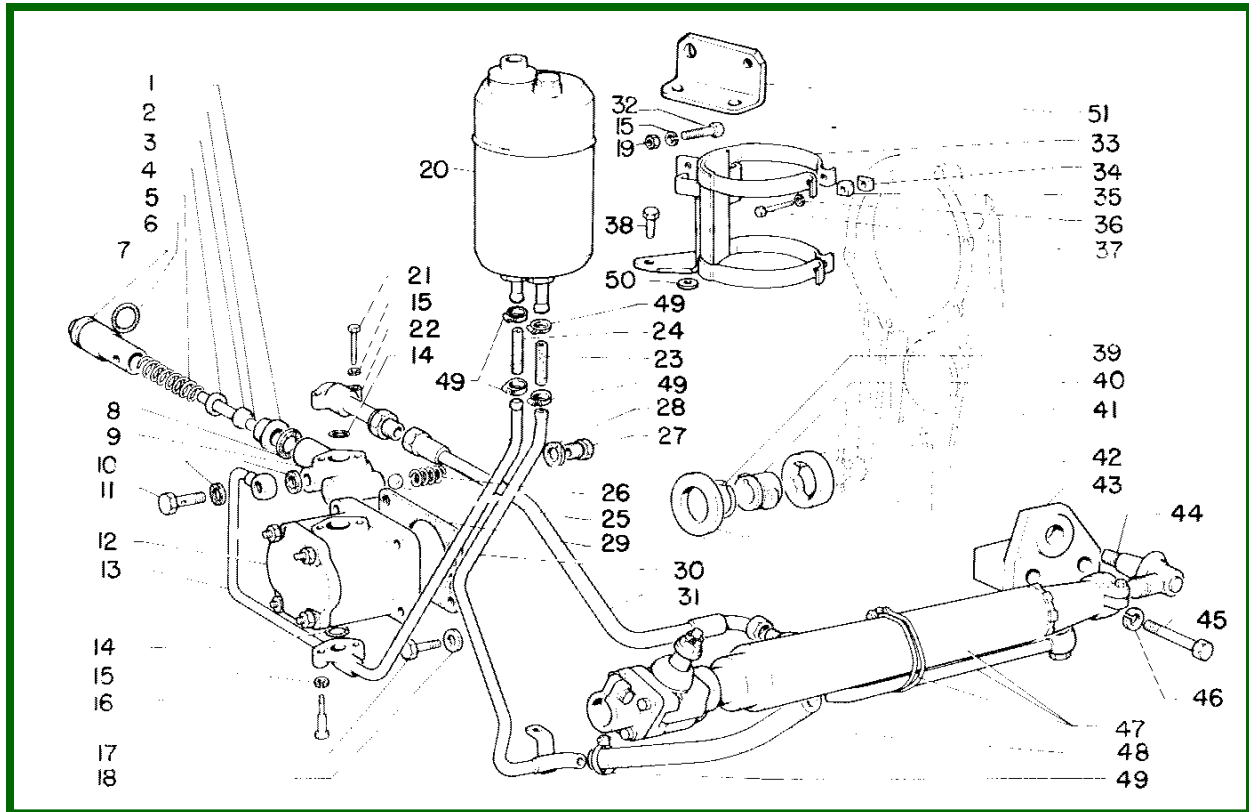


OLIVER

1365

OLIVER

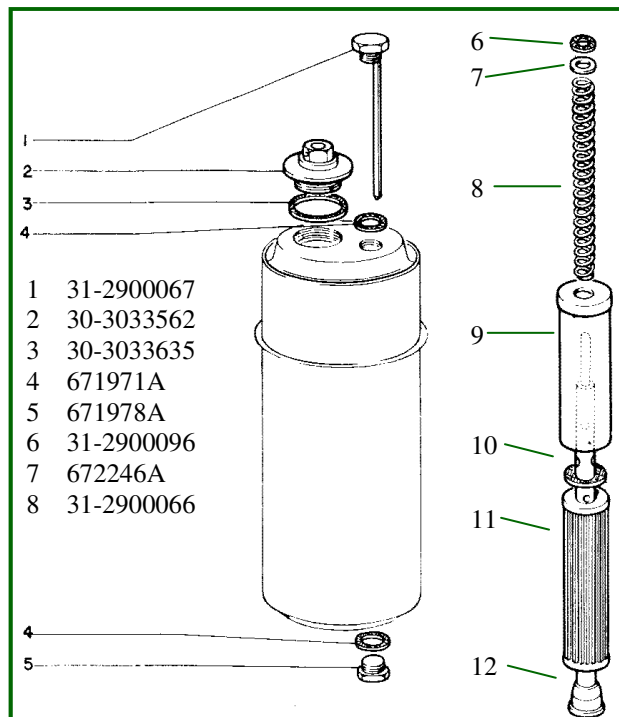




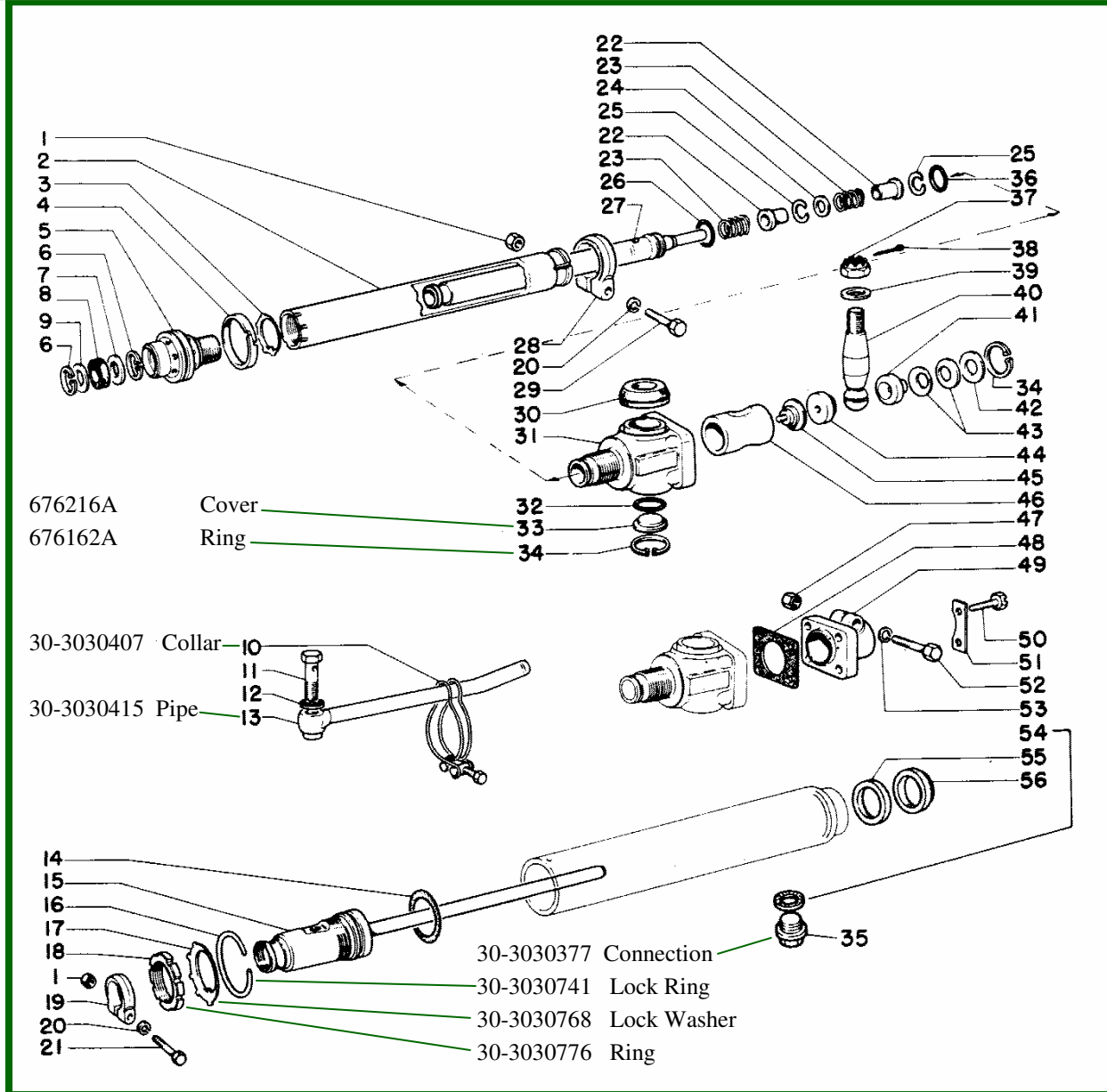
FOR ABOVE PARTS LISTING

1	676146A	Seat
2	31-2900623	Ball
3	676039A	Carrier
4	670107A	Shim
5	30-3053237	Spring
6	30-3033538	Gasket
7	30-3048969	Valve Assembly
	includes items 1 through 6	
8	31-2901377	Gasket
10	671975A	Gasket
11	673420A	Union
12	30-3030350	Pump
14	31-2901377	O-Ring
20	30-3042758	Tank
30	30-3030296	Pipe
31	31-2900089	Hose
40	30-3033422	Hub
41	30-3033414	Ring
43	30-3030261	Support
44	30-3030253	Head

Power Steering Reservoir

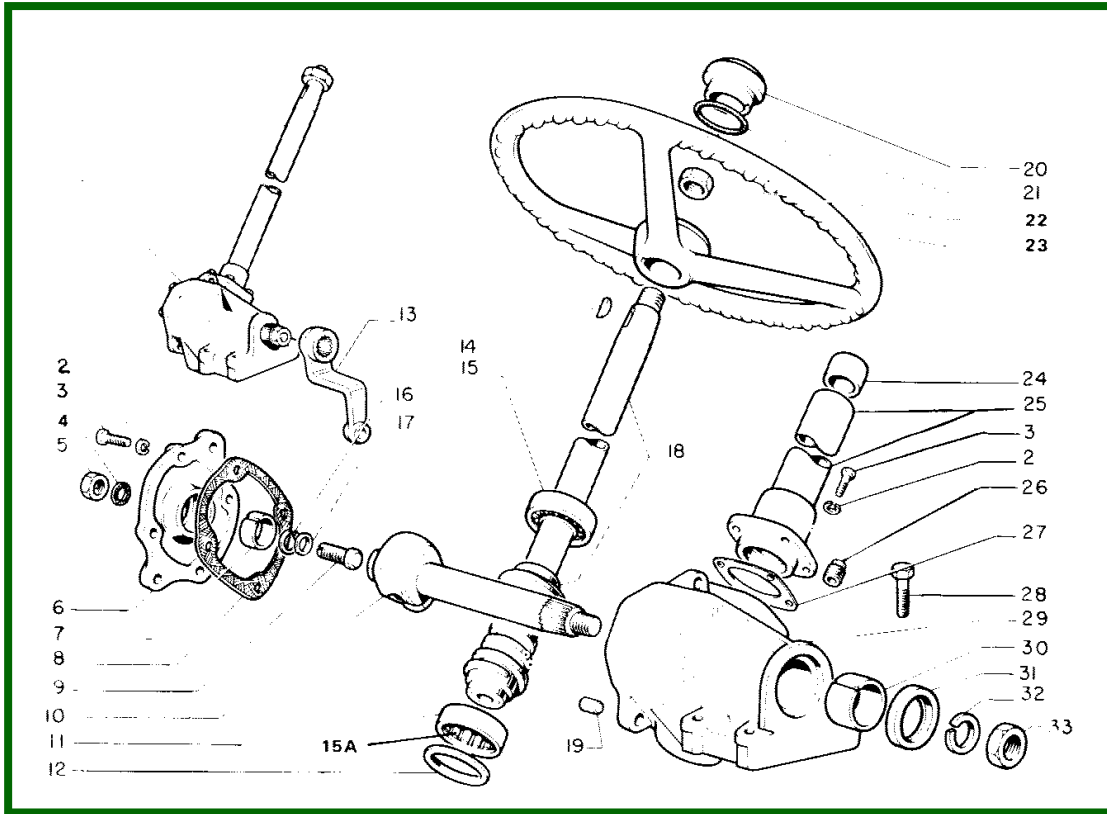


1	31-2900067
2	30-3033562
3	30-3033635
4	671971A
5	671978A
6	31-2900096
7	672246A
8	31-2900066



- | | | |
|----|------------|-------------|
| 1 | 676212A | Nut |
| 3 | 30-3030644 | Lock Washer |
| 4 | 30-3030652 | Ring |
| 6 | 30-3030717 | Lock Ring |
| 8 | 30-3030695 | Gasket |
| 11 | 30-3030431 | Union |
| 12 | 31-2902901 | Gasket |
| 14 | 30-3030725 | Seal |
| 22 | 30-3030598 | Spacer |
| 23 | 30-3030601 | Spring |
| 24 | 30-3030563 | Washer |

- | | | |
|----|------------|-----------|
| 25 | 30-3030571 | Lock Ring |
| 26 | 676202A | Seal |
| 30 | 30-3030512 | Boot |
| 32 | 30-3030466 | Seal |
| 36 | 30-3030555 | Seal |
| 37 | 676175A | Nut |
| 45 | 30-3030474 | Stop |
| 48 | 30-3030490 | Gasket |
| 54 | 30-3030547 | Gasket |
| 55 | 30-3030539 | Gasket |
| 56 | 30-3030520 | Ring |



FOR ABOVE PARTS LISTING

1	677370AS	Gear Assm.
4	671578A	Seal
5	671577A	Nut
7	671558A	Bushing
8	671559A	Gasket
9	671565A	Screw
10	677369A	Shaft
11	31-2900136	Cup - Bearing
12	671564A	Ring
13	31-2902934	Lever
14	671946A	Key
15	31-2900224	Cone - Bearing
15A	31-2900225	Cone - Bearing
16	672163A	Lock Ring
17	671566A	Washer
18	677367A	Shaft
19	672092A	Dowel
20	672647A	Cover

21	30-3046966	Seal
22	672805A	Nut
23	31-2901205	Wheel
24	671181A	Bushing
25	677368AS	Pipe
26	672312A	Plug
29	672691AS	Case
31	671672A	Seal
32	671571A	Lock Washer
33	671572A	Nut