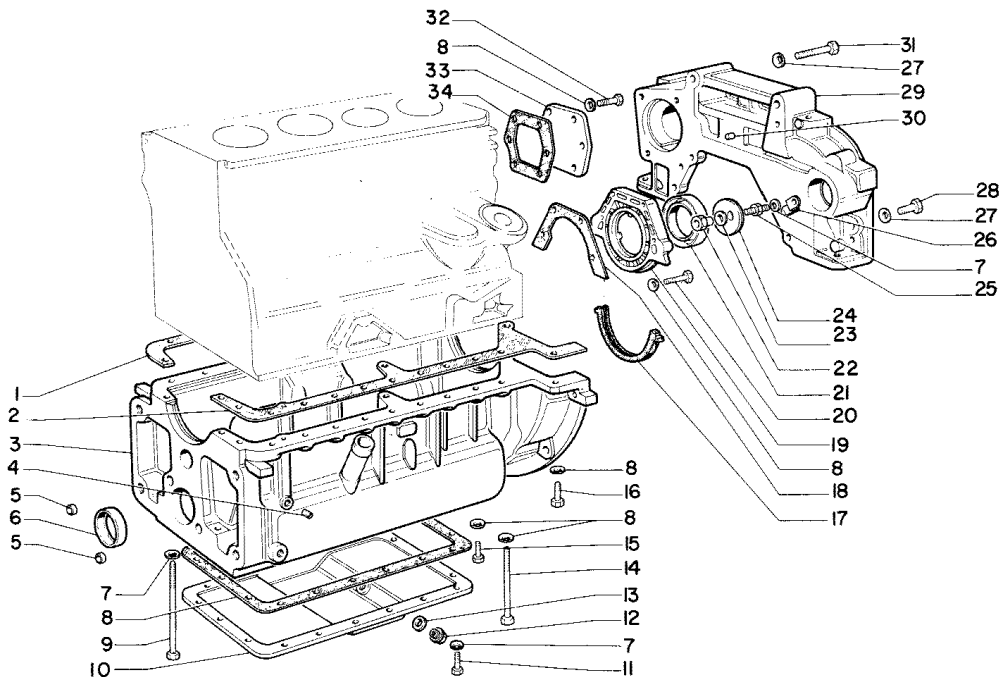
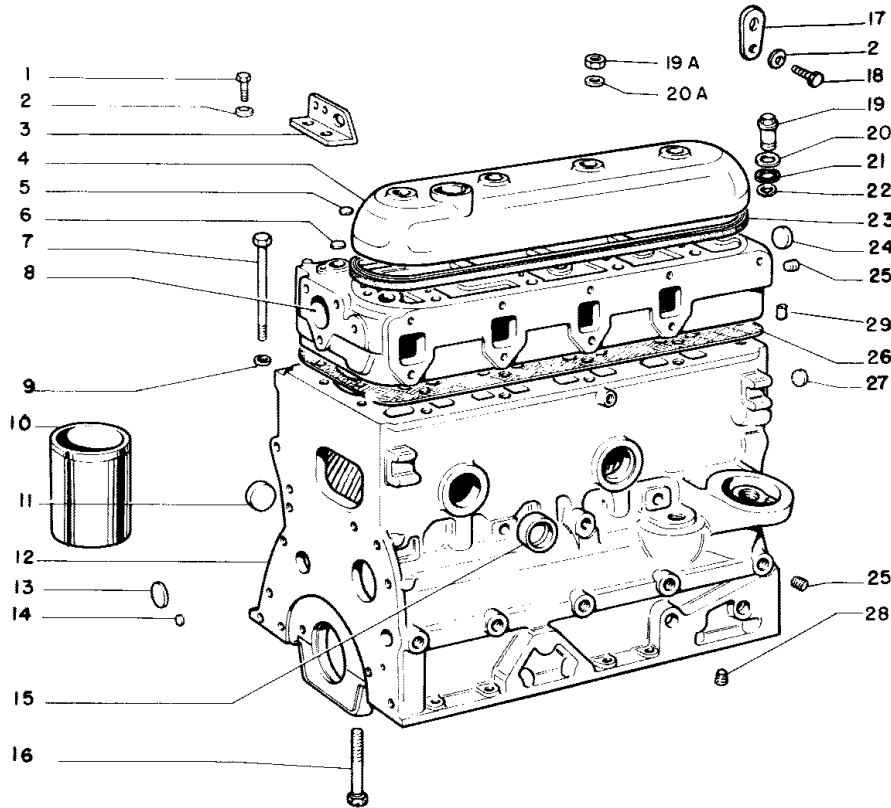


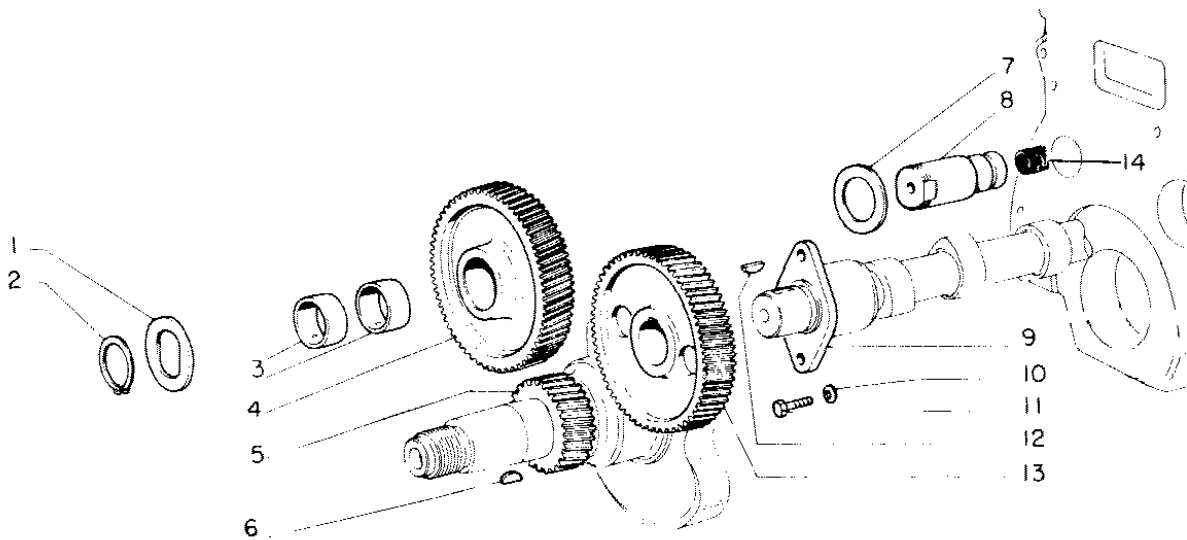
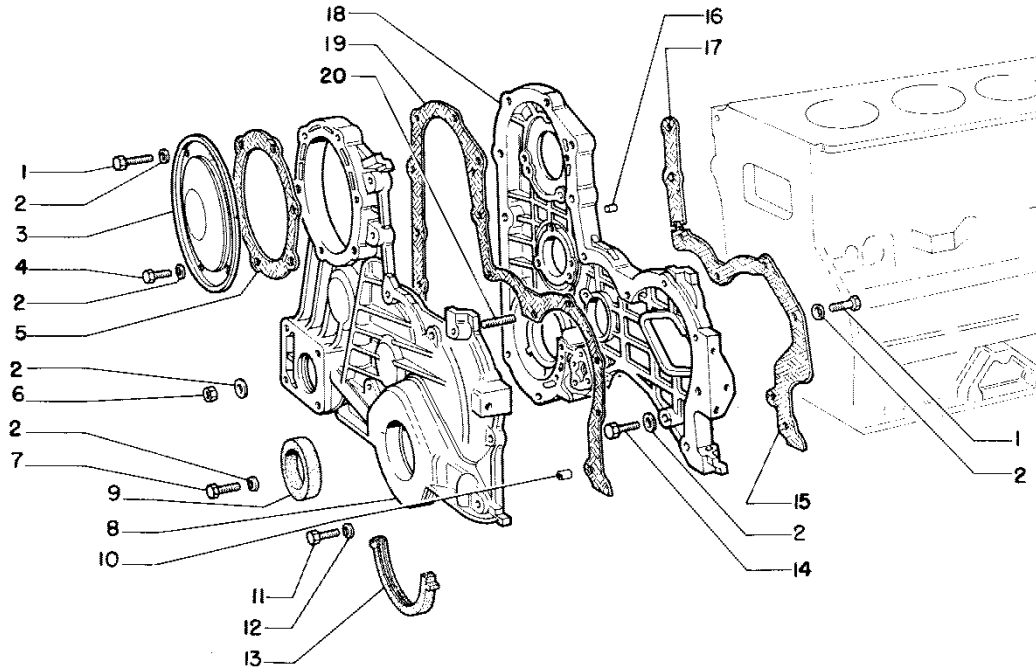
OLIVER

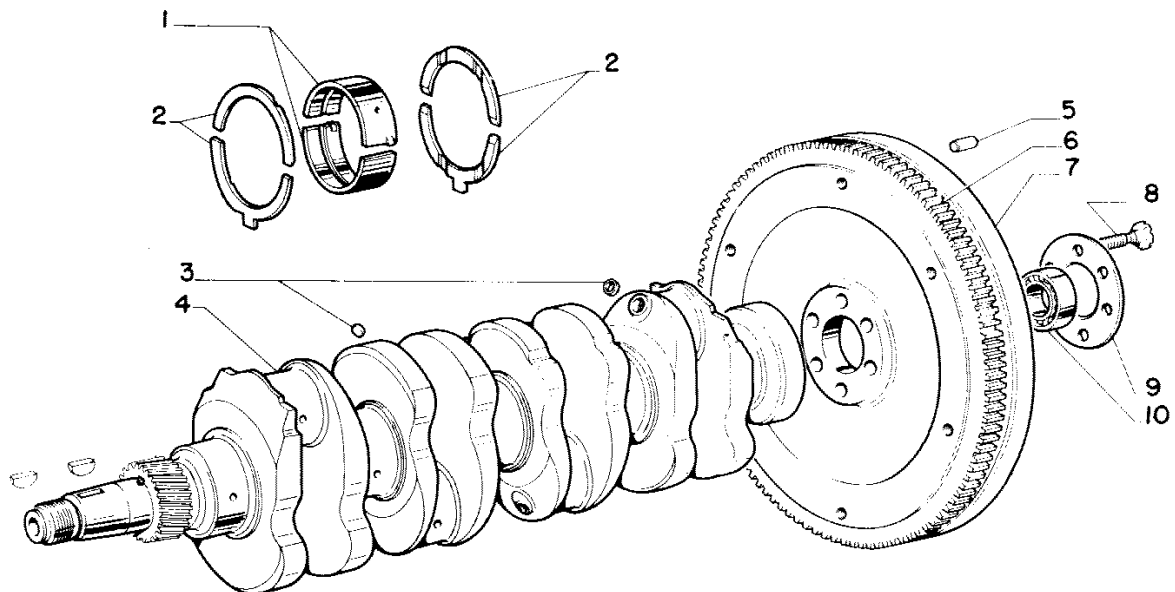
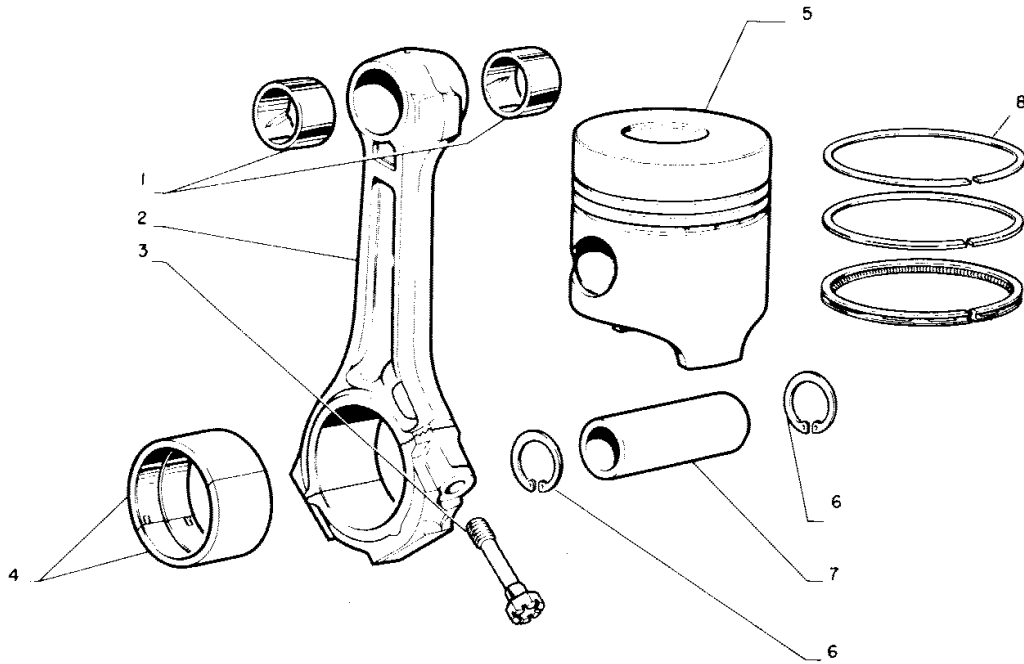
1365

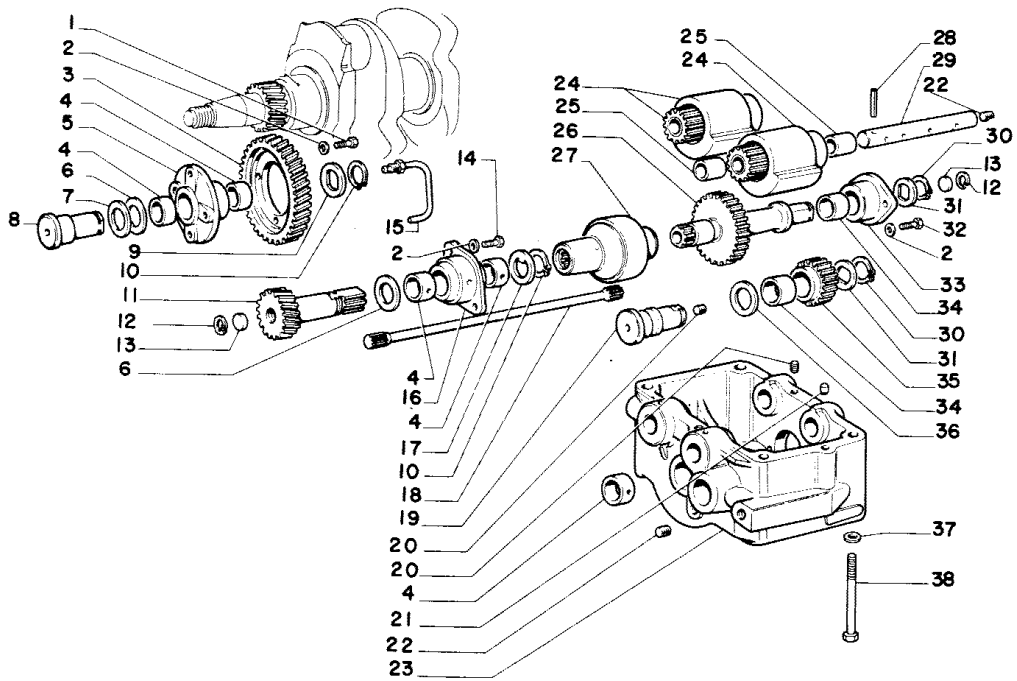
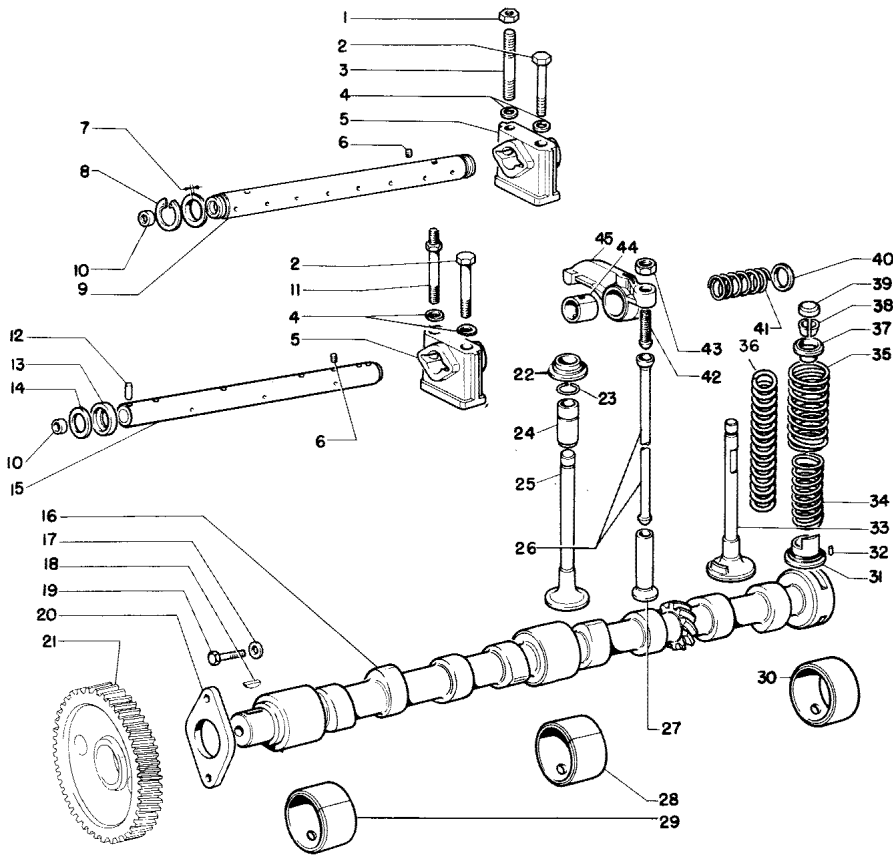
OLIVER

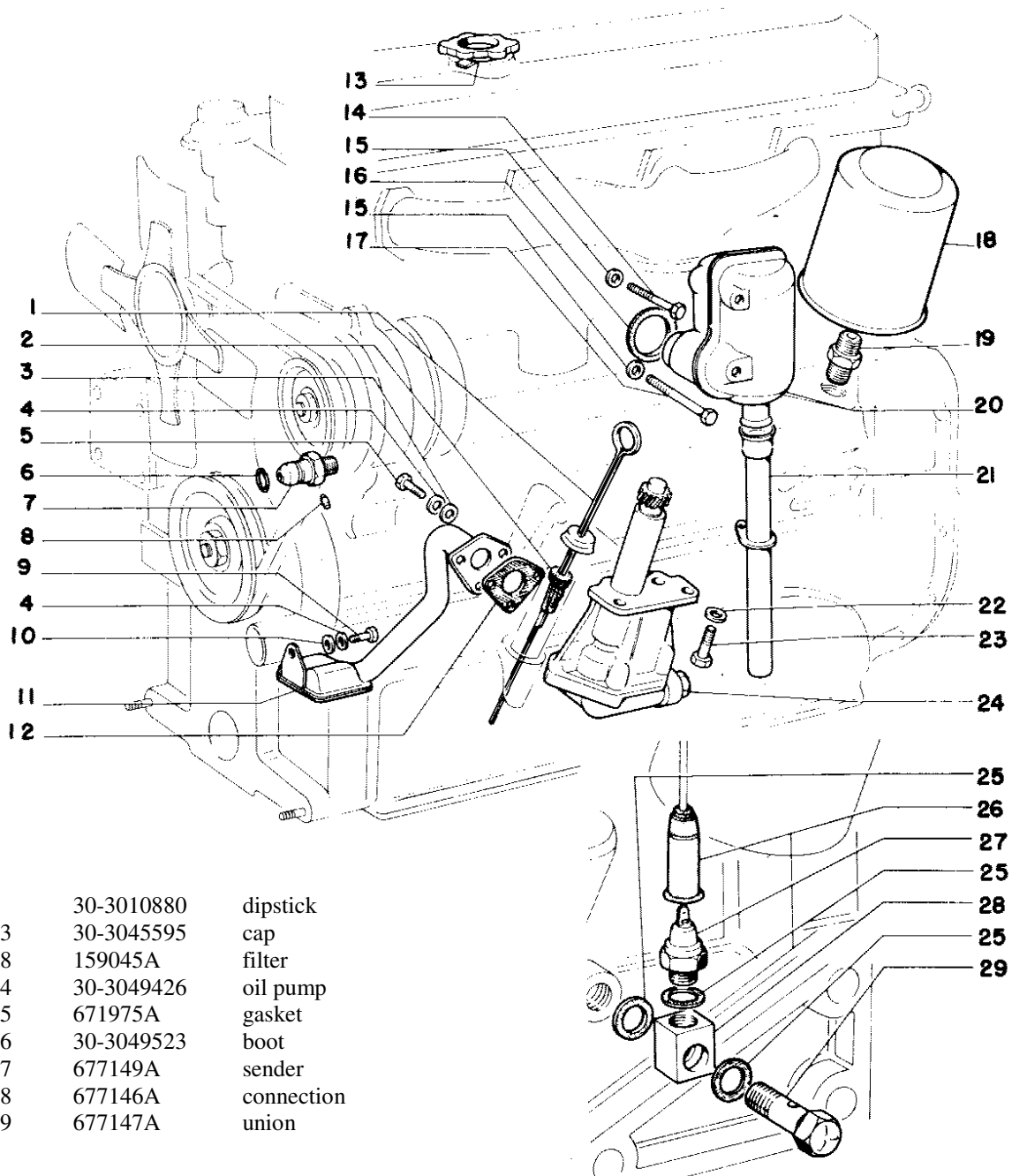
4 Cylinder ENGINE:
Oliver 1365,
White 1370,
Minneapolis G450











1	30-3010880	dipstick
13	30-3045595	cap
18	159045A	filter
24	30-3049426	oil pump
25	671975A	gasket
26	30-3049523	boot
27	677149A	sender
28	677146A	connection
29	677147A	union