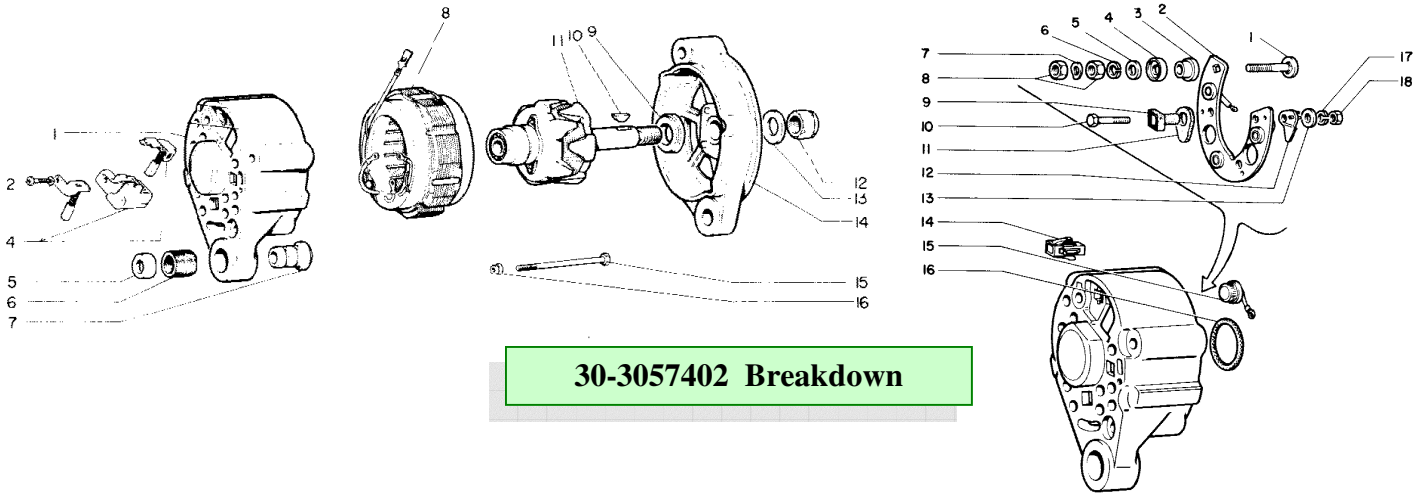
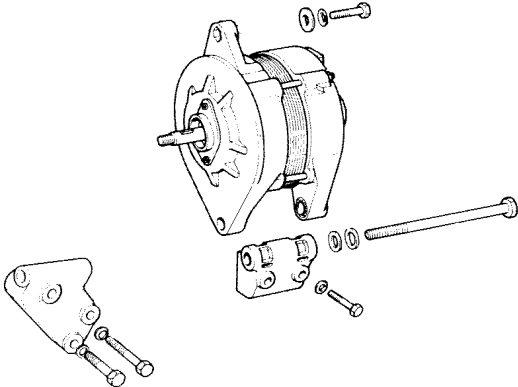


| | | |
|-----|------------------------------------|------------|
| 15 | 30-3042863 | regulator |
| | rb 72093853, rpls 677486A | |
| 16 | 31-2900016 | relay |
| | rb 72094115 | |
| 20 | 31-2901448 | fuse 8 amp |
| | rb 1121330, rpls 672096A, 70936076 | |
| 26 | 30-3057402 | alternator |
| | sn > 721487 | |
| 26 | 31-2902278 | alternator |
| | sn 721488 > | |
| 32 | 677491A | support |
| | sn > 721487 | |
| 32A | 31-2902279 | support |
| | sn 721488 > | |
| 33 | 30-3025926 | cable |

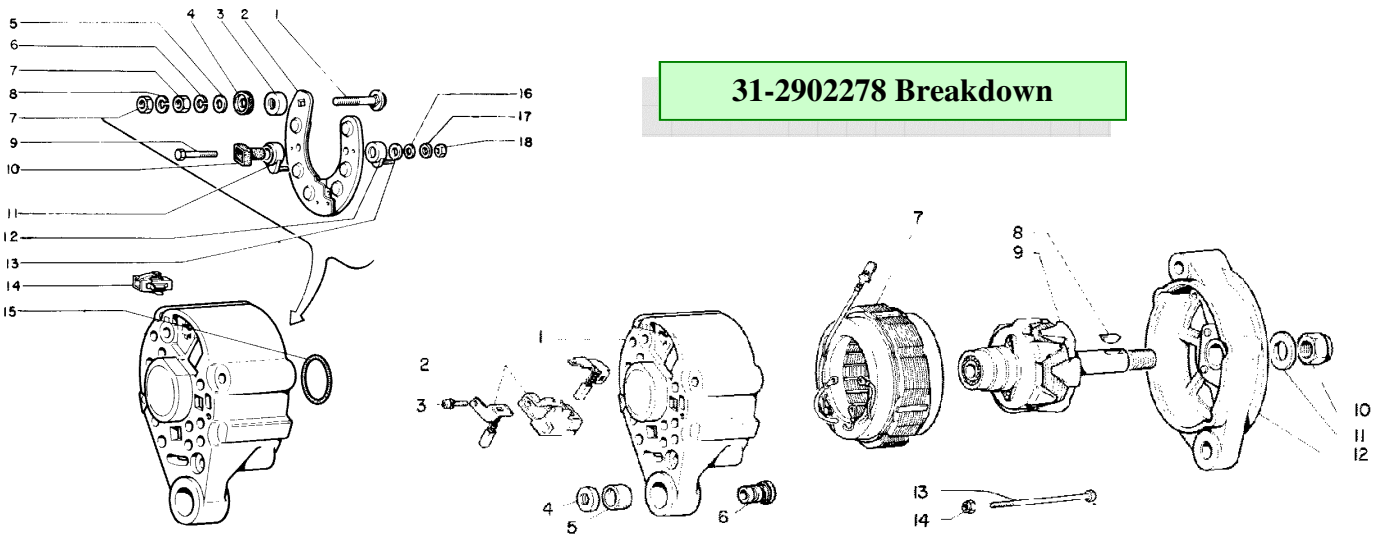
NOTE: See next couple of pages
for breakdown on the alternators



30-3057402 Breakdown



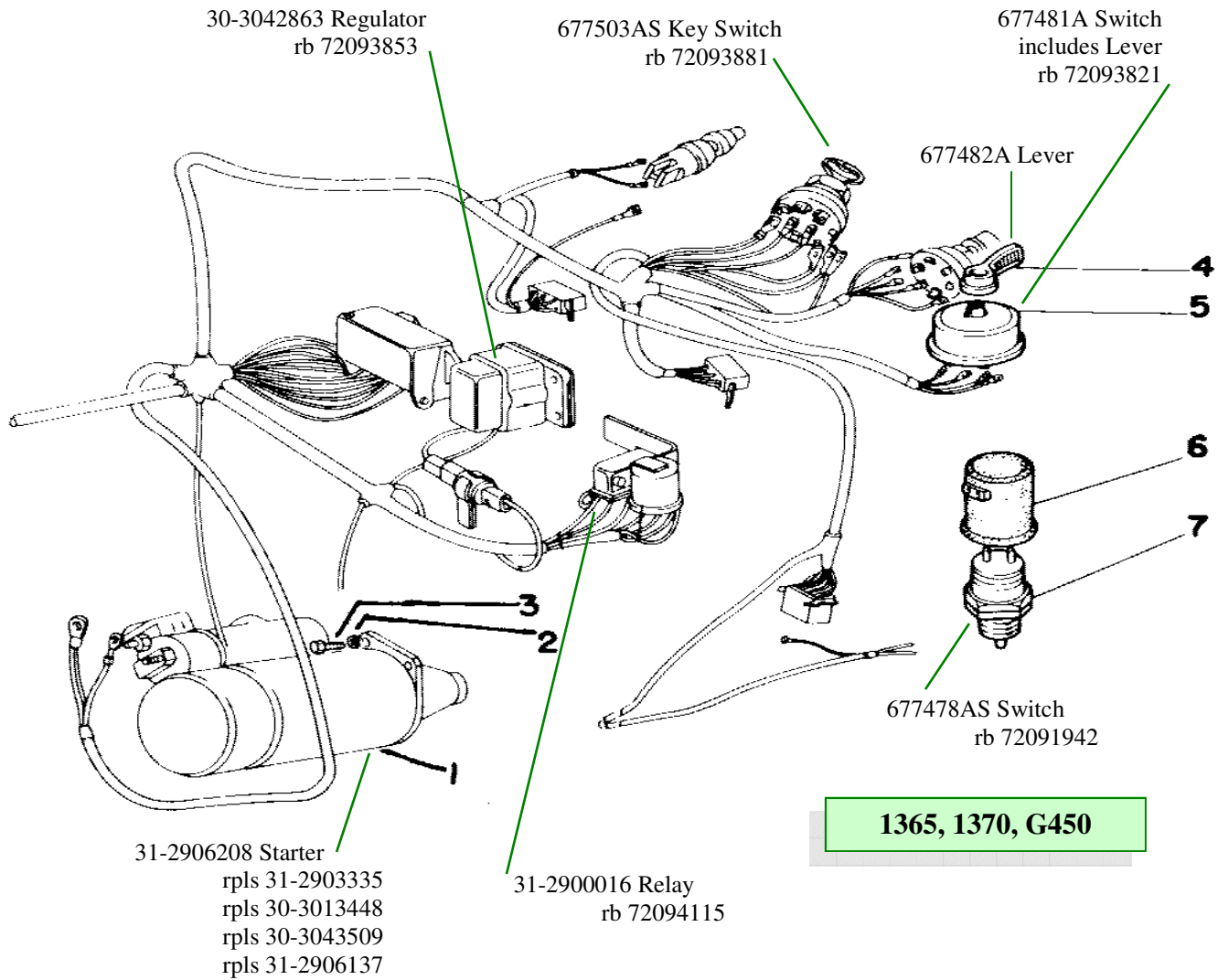
31-2902278 Breakdown



OLIVER

1365

OLIVER



1365, 1370, G450



Rick's Agri-Parts

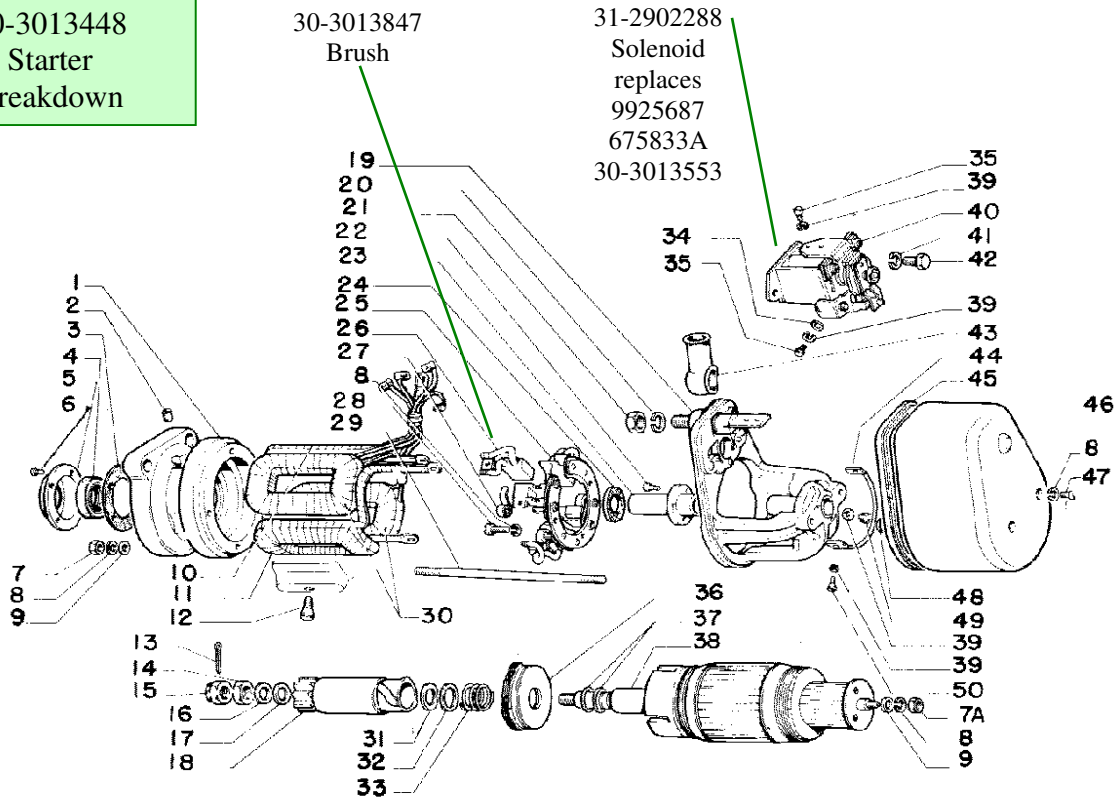
GENUINE SERVICE PARTS

THE OLIVER CORPORATION

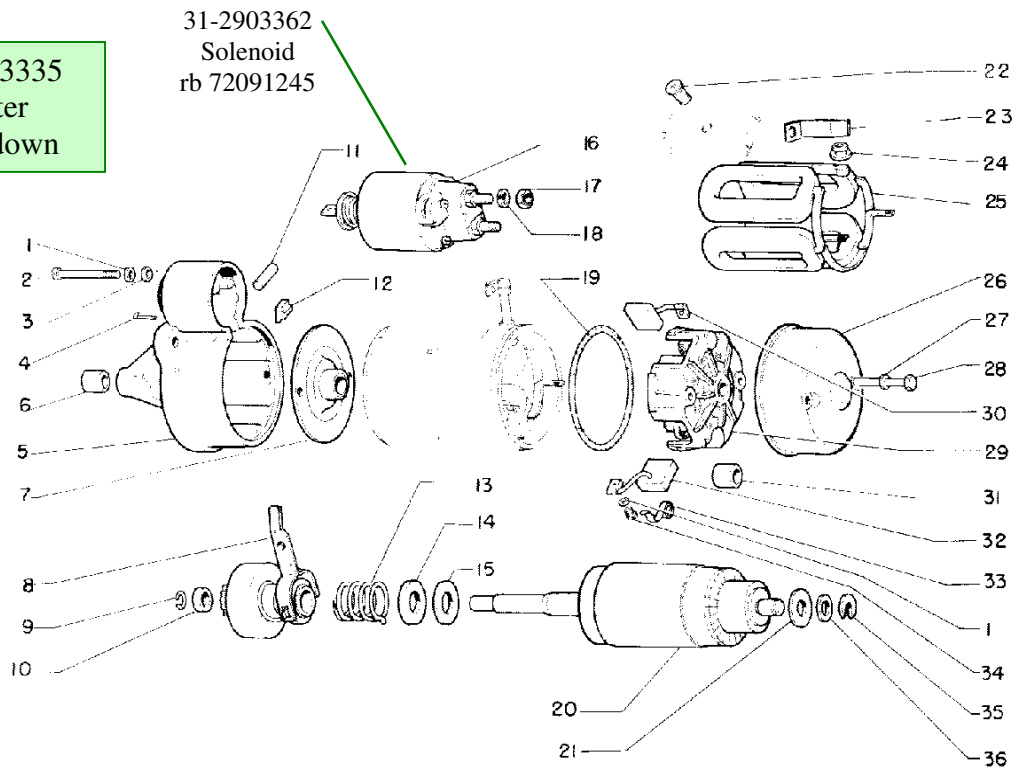
QUANTITY PART NO. AND NAME

- Solenoid -
used with Lucas Starters

30-3013448
Starter
Breakdown



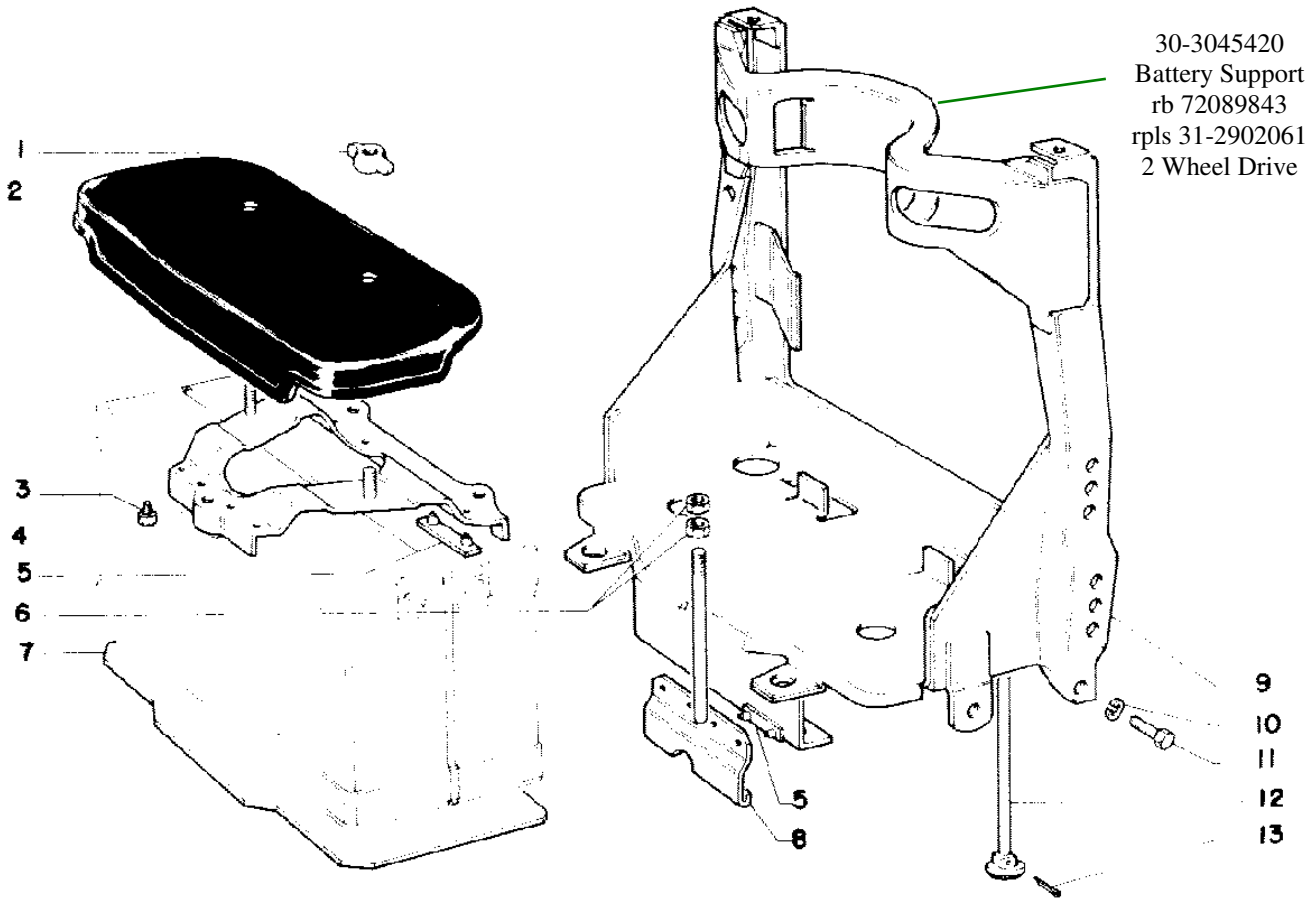
31-2903335
Starter
Breakdown



OLIVER

1365

OLIVER



Rick's Agri-Parts

Check
www.PartsForOlivers.com
for various Parts and Service Bulletins
and Service Manual Information