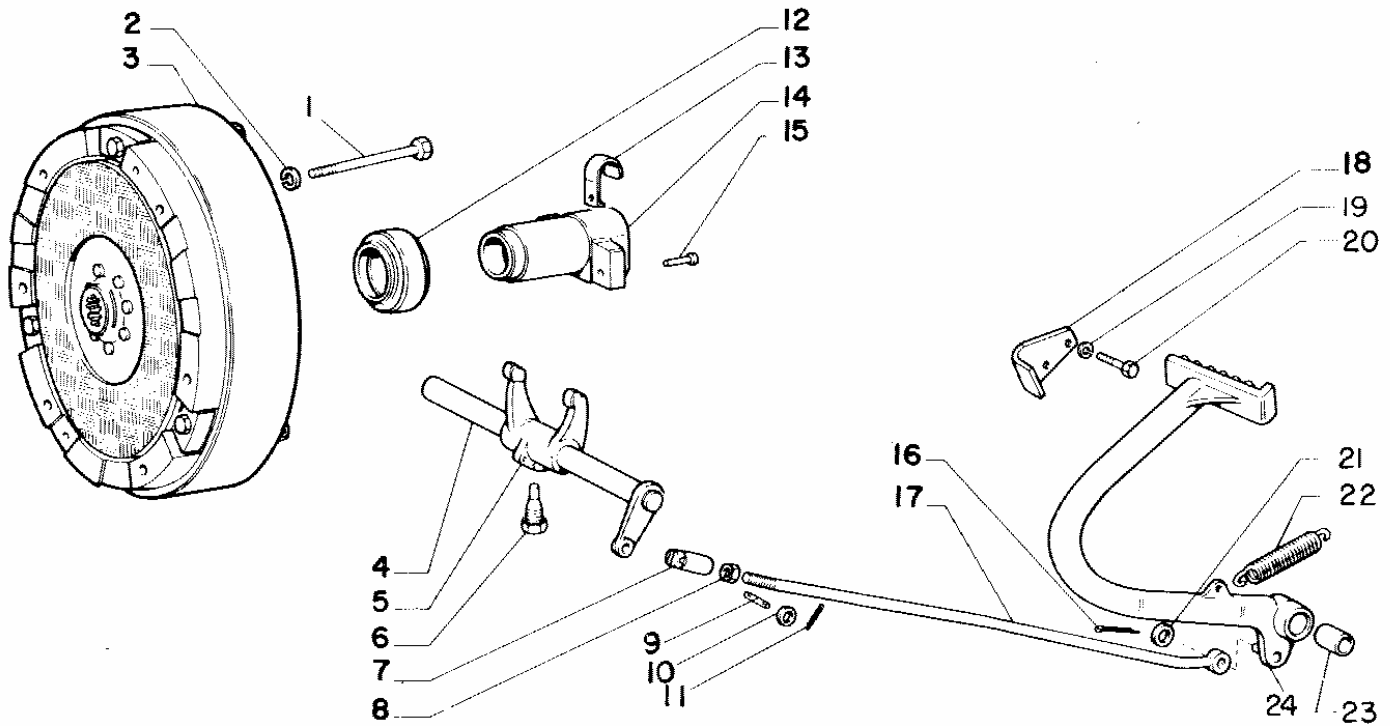


OLIVER

1365

OLIVER

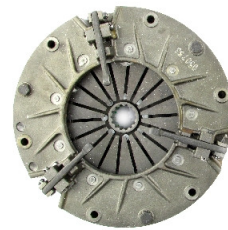
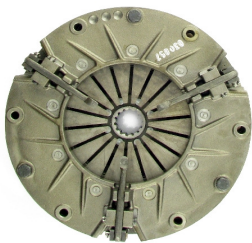
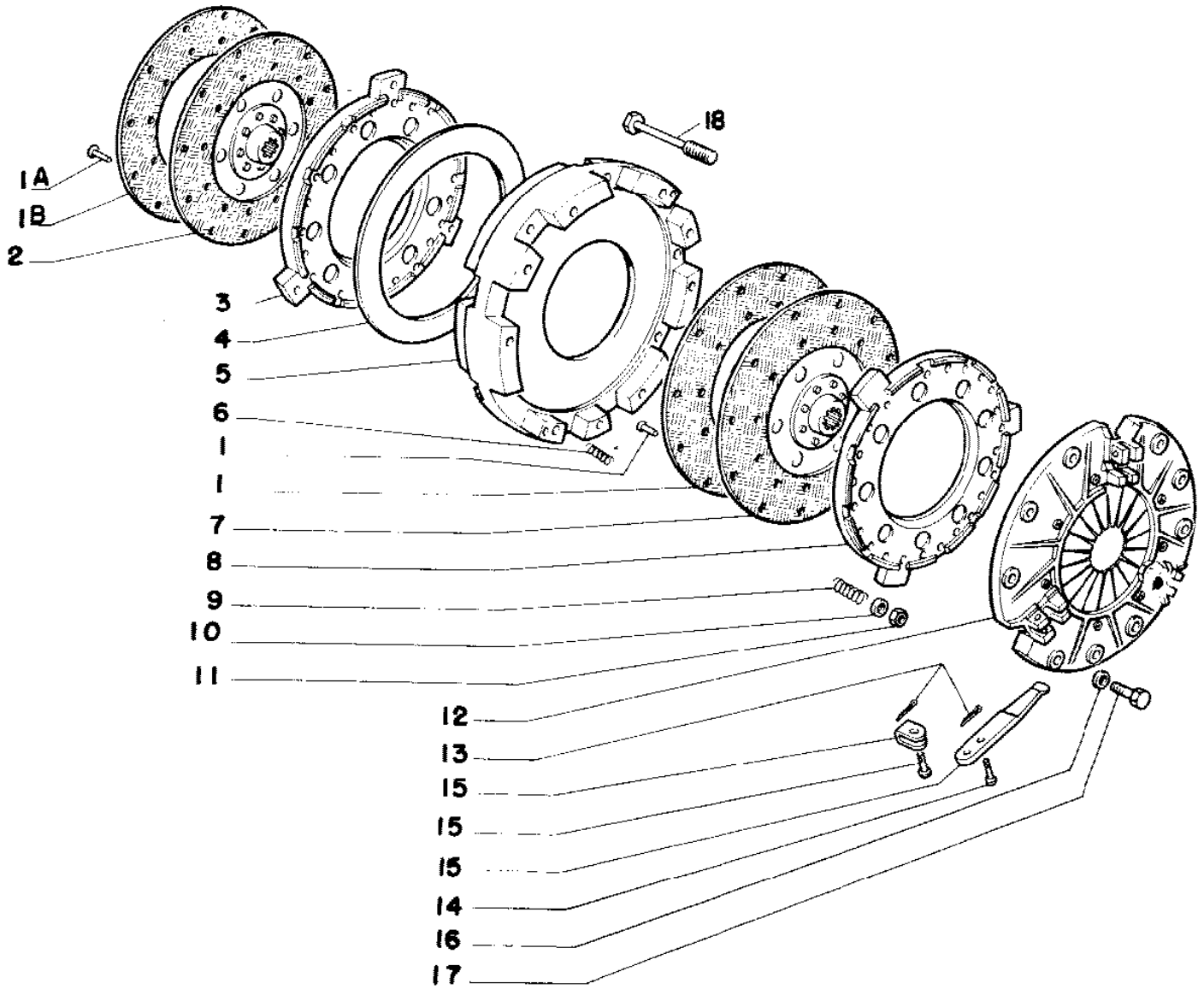


1	30-3010953	cap screw
	6 used with 30-3010945 clutch	
1	30-3040925	cap screw
	12 used used with 31-2900124 clutch	
	or 31-2903290 clutch	
3	30-3010945	clutch
	3 finger / dia type	
3	31-2900124	clutch
	both fiber disc	
3	31-2903290	clutch
	1 fiber and 1 button disc	
4	30-3010929	shaft
5	30-3010961	lever
6	31-2900103	screw
7	677235A	yoke
12	30-3011003	bearing
	used with 30-3010945 clutch	
12	30-3050750	bearing
	used with 31-2900124 & 31-2903290 clutch	
13	671674A	clip
14	30-3010988	sleeve
	used with 30-3010945 clutch	
14	30-3040933	sleeve
	used with 31-2900124 & 31-2903290 clutch	
22	670088A	spring
23	670233A	bushing
	rb 72089780	

OLIVER

1365

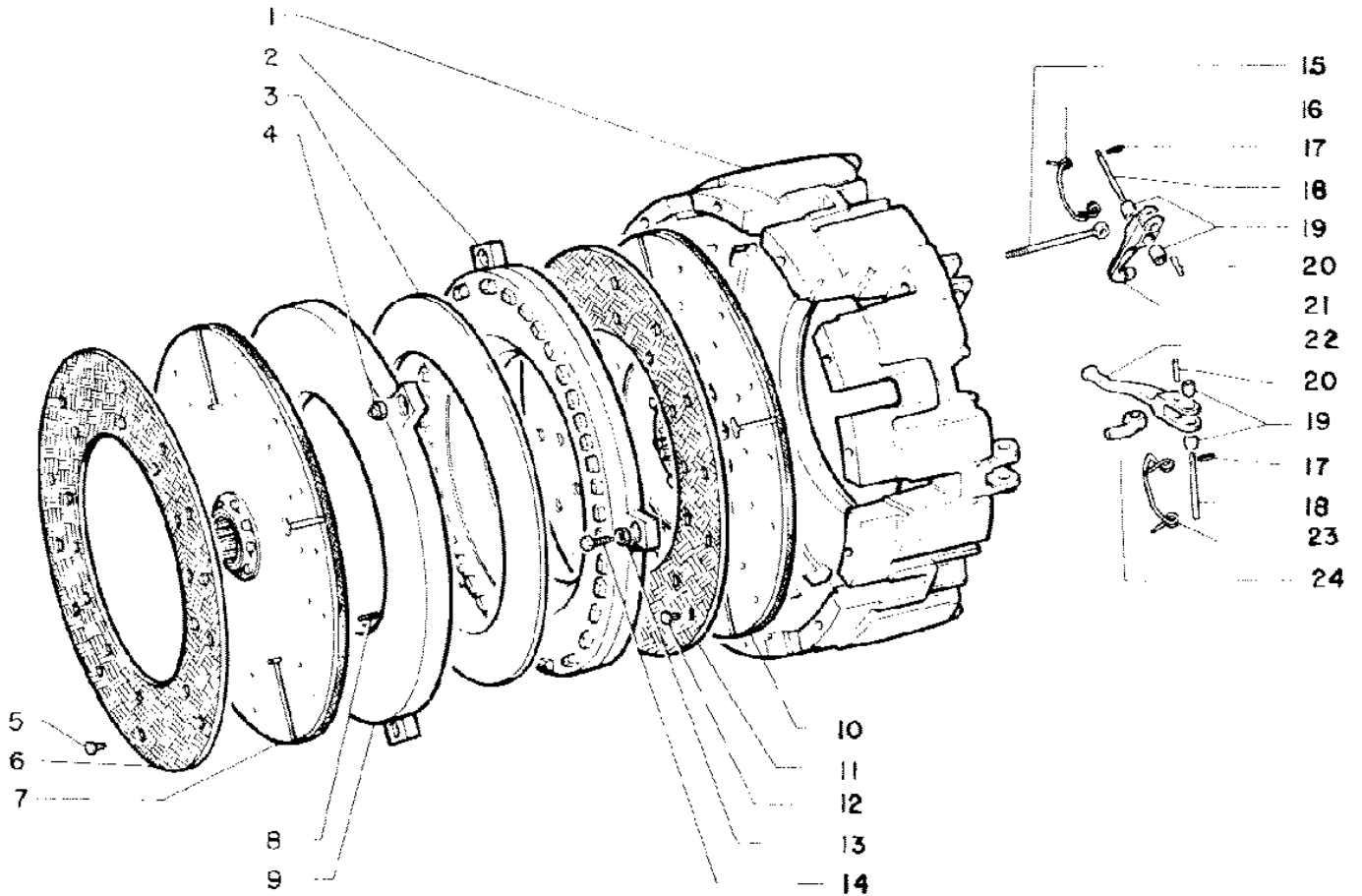
OLIVER

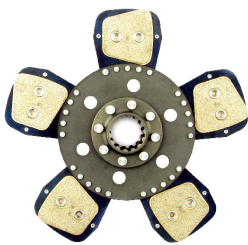
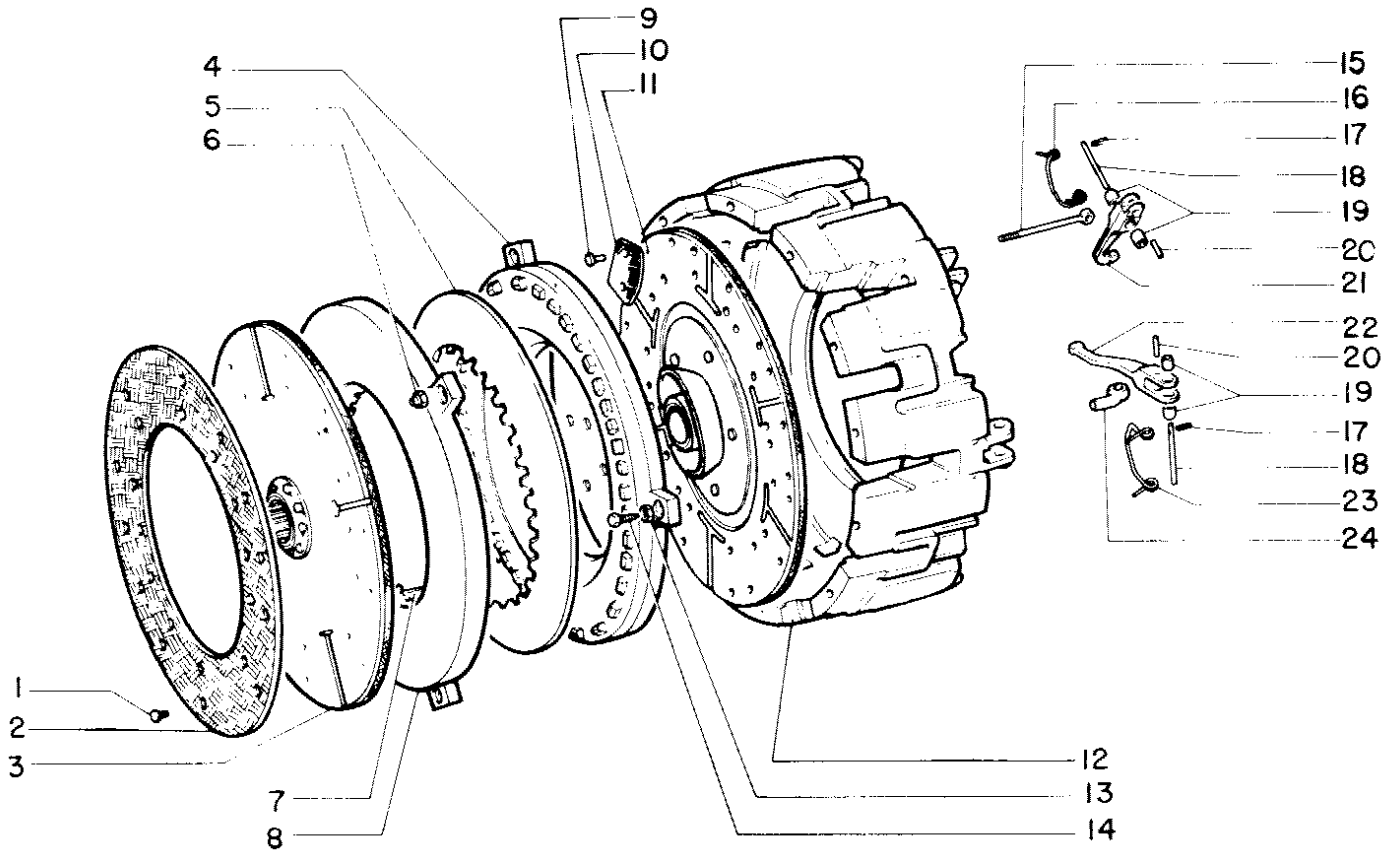


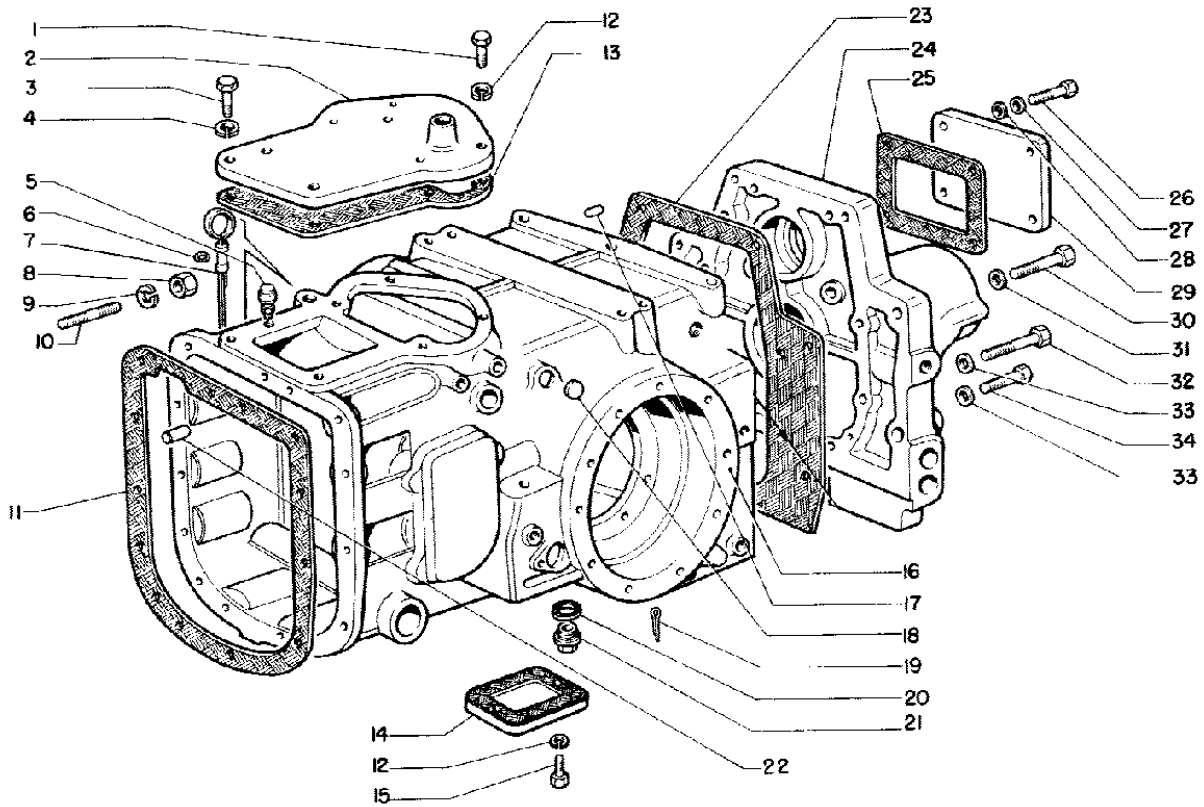
OLIVER

1365

OLIVER







T

