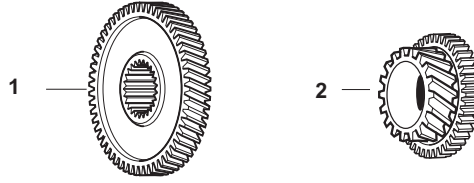




## Transmission Gears (4 Speed)



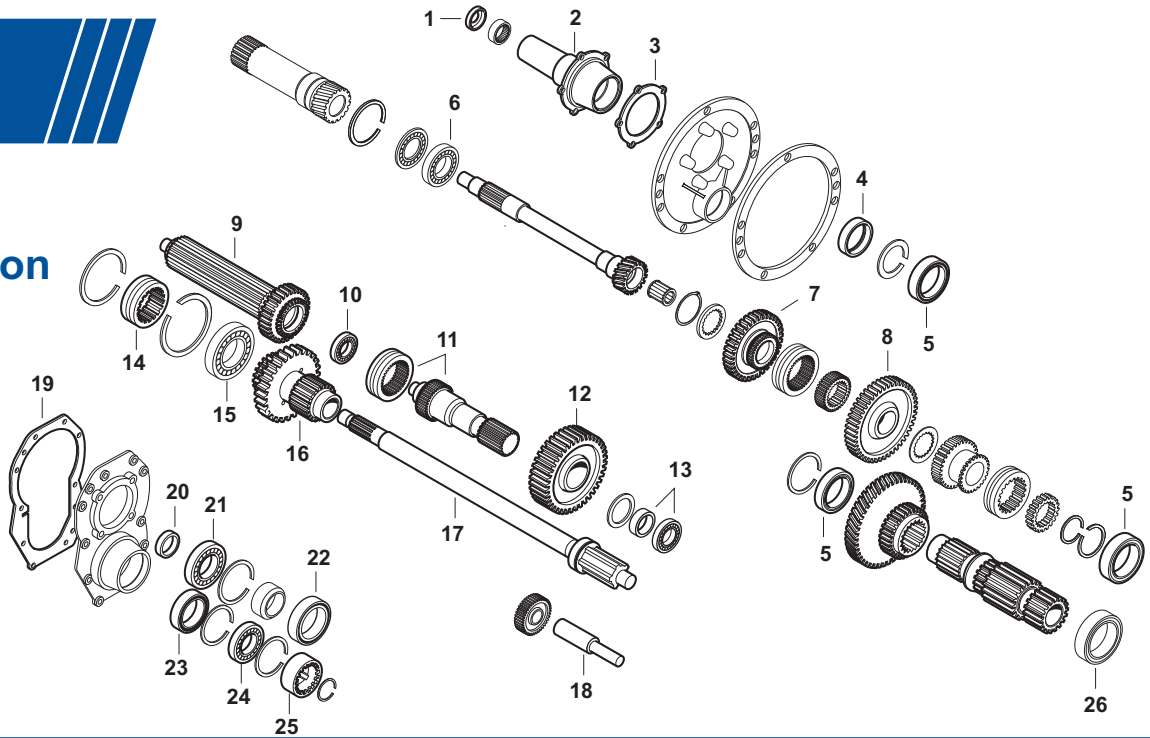
OUR No.	DESCRIPTION	EQUIVALENT	TRACTOR MODEL	
1	F61597	2nd Gear - Mainshaft	B9NN7A381B	2000, 3000 (65-12/70) Ind. 2110LCG, 3400, 3500
2	F61123	2nd Gear - Countershaft	B9NN7114A	2000, 3000 (65-12/70) Ind. 2110LCG, 3400, 3500

We have attempted to insure the accuracy of the information listed and reserve the right for type error.

Some part numbers and manufactures' names are used strictly for reference purpose only  
Any prices listed are subject to change without notice and are in US dollars Not all items are stocking items



## Transmission Gears (6 Speed)

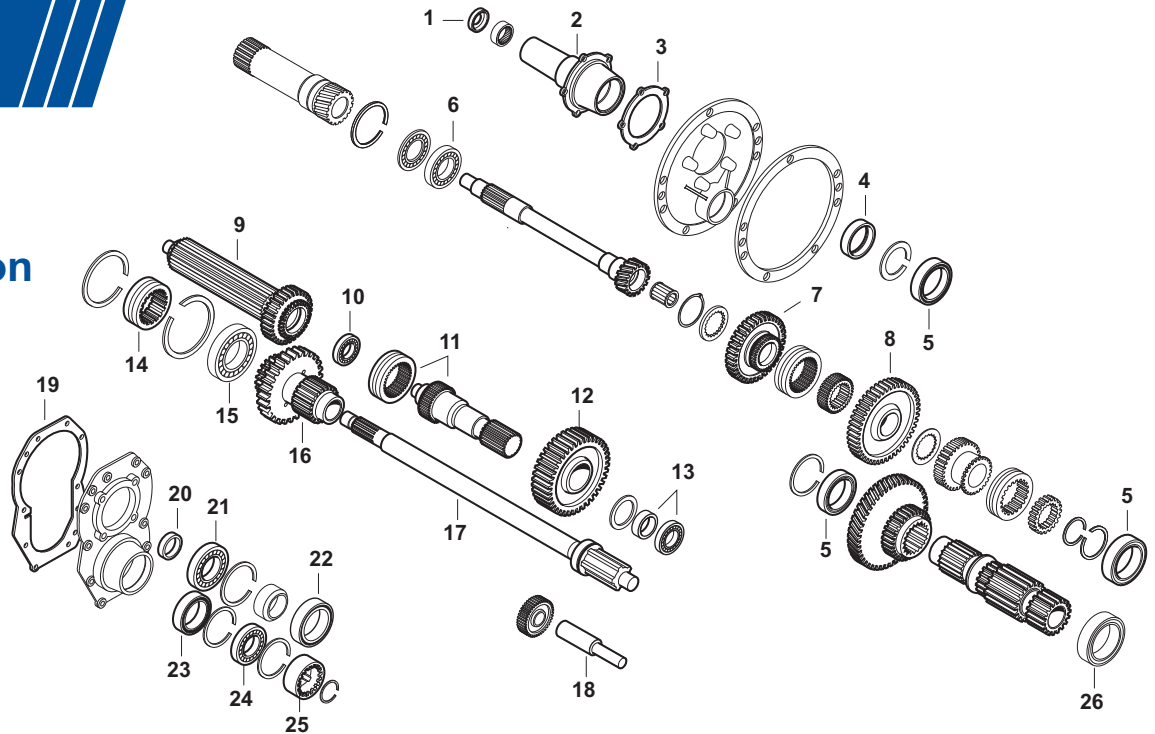


OUR No.	DESCRIPTION	EQUIVALENT	TRACTOR MODEL
1	<b>F65677</b> Seal - PTO Input Shaft (38.25 x 26 x 6.29 mm)	957E727A	2000, 3000, 2600, 3600, Ind. 231, 233, 2110LCG, 335 (w/ Live PTO), 3400, 3500, 4110LCG, 4400, 4500
2	<b>F66111</b> Housing - Input Shaft w/ Transmission PTO (10.44")	C5NN7050A	2000, 3000, 2600, 3600, Ind. 231, 233, 2110LCG, 335 3400, 3500, 4110LCG, 4400, 4500, 531
3	<b>F66139</b> Gasket - Input Housing	C5NN7N051B E7NN7N051AA	Same as Above
4	<b>F65674</b> Seal - Input Shaft	D9NN7R510BA	2000, 3000, 2600, 3600, Ind. 231, 233, 235, 2110LCG, 3400, 3500, 4110LCG, 4400, 4500, 531
5	<b>F18060</b> Bearing (#6210) w/ Live PTO	C5NN7N166B CONN7C246B N115069B	2000, 3000, 2600, 3600, Ind. 231, 233, 335, 2110LCG, 3400, 3500, 4110LCG, 4400, 4500, 531
6	<b>F18108</b> Bearing - Input shaft (40 x 90 x 23 mm)	86511837 C5NN7A452A	2000, 3000, 2600, 3600, Ind. 231, 233, 335, 2110LCG, 3400, 3500, 4110LCG, 4400, 4500, 531
7	<b>F60687</b> Gear - 2nd/5th (41 Teeth)	957E7101B	2000, 3000, 2600, 3600, Ind. 231, 233, 335, 2110LCG, 3400, 3500, 4110LCG, 4400, 4500, 531
8	<b>F66098</b> Gear - 1st (49 Teeth)	C5NN7100A	2000, 3000, 2600, 3600, Ind. 231, 233, 335, 2110LCG, 3400, 3500, 4110LCG, 4400, 4500, 531
9	<b>F60683</b> Shaft - Main (45 Teeth)	960E7061A	2000, (3000 65-4/70), 2600, Ind. 231, 2110LCG
10	<b>F18213</b> Bearing (#30205) Cone, Roller, Cup	C5NN7N044A C5NN7N047A C5NN7N048A	3600
11	<b>F66118</b> Shaft - Output w/ Coupling w/ Transmission PTO	E6NN7N071AA	3600, Ind. 335
12	<b>F66053</b> Gear - Secondary Output Shaft	E49GA9	2000, 3000, 2600, 3600, Ind. 231, 233, 335, 2110LCG, 3400, 3500, 4110LCG, 4400, 4500, 531
13	<b>F04235</b> Cone & Roller, Cup) (#LM501349/LM501310)	67370 WAA4221A	3600
14	<b>F66104</b> Coupling	C5NN7106A	2000, 3000, 2600, 3600, Ind. 231, 233, 335, 2110LCG, 3400, 3500, 4110LCG, 4400, 4500
15	<b>F18062</b> Bearing - Countershaft - Front (60 x 110 x 22 mm) (#6212)	20141040 C5NN7127B 28996590 CAR25813	2000, 3000, 2600, 3600, Ind. 231, 233, 335, 2110LCG, 3400, 3500, 4110LCG, 4400, 4500, 531

We have attempted to insure the accuracy of the information listed and reserve the right for type error.

Some part numbers and manufactures' names are used strictly for reference purpose only  
Any prices listed are subject to change without notice and are in US dollars Not all items are stocking items

## Transmission Gears (6 Speed)



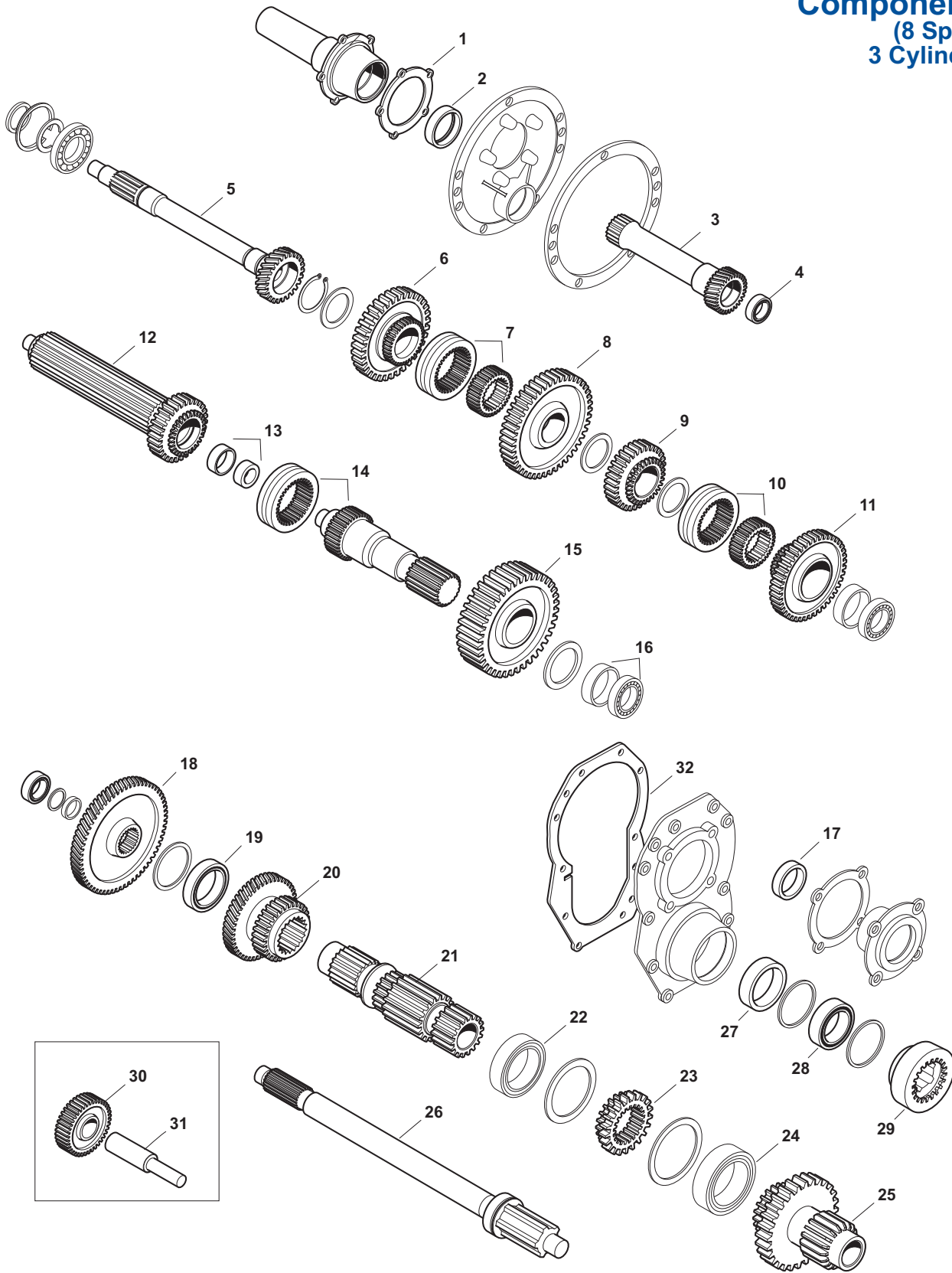
OUR No.	DESCRIPTION	EQUIVALENT	TRACTOR MODEL
16	F66103 Gear - Countershaft	C5NN7113A	2000, 3000, 2600, 3600, Ind. 231, 233, 335, 3400, 3500, 4400, 4500, 2110LCG, 4110LCG, 531
17	F66109 Countershaft (12 1/8" Long) w/ Transmission PTO	C5NN702A	2000, 3000, 2600, 3600, Ind. 231, 233, 335, 3400, 3500, 4400, 4500, 2110LCG, 4110LCG, 531
18	F66115 Shaft - Reverse Idler	C5NN7140B	2000, 3000, 2600, 3600, Ind. 231, 233, 335, 3400, 3500, 4400, 4500, 2110LCG, 4110LCG, 531
19	F66140 Gasket	C5NN7086A	2000, 3000, 2600, 3600, Ind. 231, 233, 335, 3400, 3500, 4400, 4500, 2110LCG, 4110LCG, 531
20	F65683 Seal - Outputshaft	C5NN77086A	3600 (w/ Trans PTO)
21	F18466 Bearing - Secondary Output Shaft (1.5" x 3.25" x .75") (#RLS12)	E53GA9	2000, 3000, 2600, 3600, Ind. 231, 233, 335, 3400, 3500, 4400, 4500, 2110LCG, 4110LCG, 531
22	F65680 Seal - Secondary Output Shaft (83 x 45 x 15 mm)	E42GA9	2000, 3000, 2600, 3600, Ind. 231, 233, 335, 3400, 3500, 4400, 4500, 2110LCG, 4110LCG, 531
23	F65682 Seal - PTO Countershaft (73 x 43 x 15.9 mm)	E62GE9	2000, 3000, 2600, 3600, Ind. 231, 233, 335, 3400, 3500, 4400, 4500, 2110LCG, 4110LCG, 531
24	F18057 Bearing - PTO Drive Shaft (#6207) (35 x 72 x 17 mm)	E75GE9 C5NN7118A	2000, 3000, 2600, 3600, Ind. 231, 233, 335, 3400, 3500, 4400, 4500, 2110LCG, 4110LCG, 531
25	F66052 Sleeve - PTO Shaft	C5NN705A	2000, 3000, 2600, 3600, Ind. 231, 233, 335, 3400, 3500, 4400, 4500, 2110LCG, 4110LCG, 531
26	F18061 Bearing - Countershaft - Rear (#6211 - 55 x 100 x 21 mm)	C7NN7118B DDN7025A E1ADDN7025A	2000, 3000, 2600, 3600, Ind. 231, 233, 335, 3400, 3500, 4400, 4500, 2110LCG, 4110LCG, 531

We have attempted to insure the accuracy of the information listed and reserve the right for type error.

Some part numbers and manufactures' names are used strictly for reference purpose only Any prices listed are subject to change without notice and are in US dollars Not all items are stocking items

www.ForMenWhoGrow.com - Contact: RickStair@gmail.com

## Gear Box Components (8 Speed 3 Cylinder)



We have attempted to insure the accuracy of the information listed and reserve the right for type error.

Some part numbers and manufactures' names are used strictly for reference purpose only. Any prices listed are subject to change without notice and are in US dollars. Not all items are stocking items.

## Gear Box Components (8 Speed - Non-Synchro - 3 Cylinder)

OUR No.	DESCRIPTION	EQUIVALENT	TRACTOR MODEL	
1	F66139	Gasket - Input Shaft Housing	C5NN7N051B	2000, 3000, 4000, 2600, 3600, 3900, 4100, 4600, 2310, 2610, 2810, 2910, 3610, 3910, 4110, 4610, 3230, 3430, 3930, 4130, 4630, Ind. 230A, 231, 233, 234, 250C, 260C, 2110LCG, 333, 334, 335, 340, 340A, 340B, 3400, 3450, 4110LCG, 420, 4400, 445, 445A, 445D, 4500, 515, 530A, 531, 532, 540, 540A, 540B, 545, 545A, 545D
2	F65914	Seal - PTO Input Shaft (79.8 x 47.4 x 12.6mm)	D9NNC729BA	Same as Above (w/ Live PTO)
2	F65674	Seal - PTO Input Shaft (51 x 27.6 x 12.4mm)	D9NN7R510BA	Same as Above (w/ TranF PTO)
3	F65349	PTO Input Shaft (15 Teeth)	D1NN772B	4000*, 3900, 4100, 4600, 2810, 2910, 3910, 4110, 4610, 3230, 3430, 3930, 4130, 4630, Ind. 250C, 260C, 340, 340A, 340B, 345D, 3550*, 420, 445, 445A, 445D, 4400*, 4500*, 515, 532, 540, 540A, 540B, 545, 545A, 545D, (*When replacing 17 Teeth Shaft with 15 Teeth Shaft, Must use 50 Teeth Gear (F66099, D1NN791A)
4	F65677	Seal - PTO Input Shaft (38.1 x 25.3 x 6.2mm)	957E727A	Same as Above
5	F65336	Mainshaft (19 Teeth, 17.66")	C7NN7017AB	2000, 3000, 2600, 3600, Ind. 231, 233, 2110LCG, 333, 335, 3400, 3500, 4110LCG, 531
6	F60696	Gear (3rd/7th, 35 Teeth)	C5NN7B340A	2000, 3000, 2600, 3600, 2310, 2610, 3610, Ind. 230A, 231, 233, 234, 2110LCG, 333, 334, 335, 3400, 3500, 4110LCG, 530A, 531
6	F65790	Gear (3rd/7th, 35 Teeth)	E9NN7N315AA	4000, 3900, 4100, 4600, 2810, 2910, 3910, 4110, 4610, 3230, 3430, 3930, 4130, 4630, Ind. 340A, 420, 3550, 445, 4400, 4500, 540A (540B, 545, 545B ->7/87), 515, 532
6	F65341	Gear (3rd/7th, 35 Teeth)	C9NN7N315B E6NN7N315AA	Ind. 250C, 260C, (340B 8/87->), 345D, (445A 8/87->), 445D, (530B, 545A 8/87->), 545D
7	F65346	Sliding-Coupler (Matched Set)	E6NN7N072AA D6NN7N072A	4000, 2310, 2610, 2810, 2910, 3610, 3910, 4110, 4610, 3230, 3430, 3930, 4130, 4630, Ind. 230A, 234, 250C, 260C, 334, 340A, 340B, 345D, 3550, 420, 445A, 445D, 4400, 4500, 515, 530A, 532, 540A 540B, 545, 545A, 545D
8	F65338	Gear (1st/5th, 46 Teeth)	E6NN7N100AA C5NN7N100C	(2000, 3000, 4000 9/65->), 2600, 3600, 3900, 4100, 4600, 2310, 2610, 2810, 2910, 3610, 3910, 4110, 4610, 3230, 3430, 3930, 4130, 4630, Ind. 230A, 231, 233, 234, 250C, 260C, (2110LCG 9/65->), 333, 335, 340, 340A, 340B, 345D, (3400, 3500, 3550 9/65->) 420, 445, 445A, 445D, (4110LCG, 4400, 4500 9/65->), 515, 530A, 531, 532, 540, 540A, 540B, 545, 545A, 545D
8	F66120	Gear - 1st/5th (49 Teeth)	C5NN7N100A	(2000, 3000, 4000 65-9/65), Ind. (2110LCG, 3400, 3500, 3550, 65-9/65)
9	F66112	Gear - Reverse (30 Teeth)	C5NN7K013A	(2000, 3000, 65-9/65), Ind. (2110LCG, 3400, 3500, 4110LCG, 65-9/65)
9	F66113	Gear - Reverse (32 Teeth)	C5NN7K013E	(2000, 3000, 9/65->), 2600, 3600, 2310, 2610, 3610, Ind. 230A, 234, 334, (2110LCG, 3400, 3500, 4110LCG, 9/65->)
9	F66132	Gear Reverse (30 Teeth)	C5NN7N012A	(4000, 65-9/65), Ind. (3550, 4400, 4500 65-9/65)
9	F65340	Gear Reverse (32 Teeth)	E6NN7N012AA E2NN7N012AA C5NN7N012B	4000, 3900, 4100, 4600, 4110, 4610, 3230, 3430, 3930, 4130, 4630, Ind. 250C, 260C, 340, 340A, 340B, 345D, 3550, 420, 445A, 4400, 4500, 515, 532, 540A, 540B, 545A
10	F65347	Connector & Coupling (Matched Set)	E6NN7N072BA	4000, 3900, 4100, 4600, 2810, 2910, 3910, 4110, 4610, 3230, 3430, 3930, 4130, 4630, Ind. 250C, 260C, 340, 340A, 340B, 345D, 3550, 420, 445A, 445D, 4110LCG, 4400, 4500, 515, 532, 540, 540A, 540B, 545, 545A, 545D
11	F66107	Gear - 2nd/6th (43 Teeth)	C5NN7102F	2000, 3000, 2600, 3600, 2310, 2610, 3610, Ind. 230A, 231, 233, 234, 2110LCG, 334, 335, 3400, 3500, 4110LCG, 530A, 531

We have attempted to insure the accuracy of the information listed and reserve the right for type error.

Some part numbers and manufactures' names are used strictly for reference purpose only Any prices listed are subject to change without notice and are in US dollars Not all items are stocking items

www.ForMenWhoGrow.com - Contact: RickStair@gmail.com



## Gear Box Components (8 Speed - Non-Synchro - 3 Cylinder)

OUR No.	DESCRIPTION	EQUIVALENT	TRACTOR MODEL	
11	F65342	Gear (2nd/6th, 43 Teeth)	C5NN7101D E6NN7N101BA	3900, 4100, 4600, (2810, 2910, 3910, 4110, 4610 ->2/89), Ind. 340, 340A, 340B, 420, 445, (445A ->9/87), 515, 532, 540, 540A, (540B ->9/87), 545, (545A ->7/87)
12	F60691	Mainshaft - Rear (30 Teeth)	C5NN7C095D	2000, 3000, 2600, 3600, 2310, 2610, 3610, Ind. 2110 LCG, 230A, 231, 233, 234, 333, 334, 335, 3400, 4110LCG, 530A, 531
13	F18213	Cone & Roller w/ Cup (#30205)	C5NN7N044A	2000, 3000, 4000, 2600, 3600, 3900, 4100, 4600, 2310, 2610, 2810, 2910, 3610, 3910, 4110, 4610, 3230, 3430, 3930, 4130, 4630, Ind. 230A, 231, 233, 234, 250C, 260C, 2110LCG, 333, 334, 335, 340, 340A, 340B, 340C, 345D, 3500, 3550, 420, 4110LCG, 4400, 445, 445A, 445D, 4500, 515, 530A, 531, 532, 540, 540A, 540B, 545, 545A, 545D
14	F66118	Shaft & Coupling Set	E6NN7N071AA C7NN7N071A	(2000, 3000, 4000 5/71->), 2600, 3600, 3900, 4100, 4600, 2310, 2610, 2810, 2910, 3610, 3910, 4110, 4610, 3230, 3420, 3930, 4130, 4630, Ind. 230A, 231, 233, 234, 250C, 260C, 333, 334, 335, 340, 340A, 340B, 345D, (3400, 3500, 3550 5/71->), 420, 445, 445A, 445D, (4400, 4500 5/71->), 445
15	F66114	Gear - Output Shaft (49 Teeth)	C5NN7145A E6NN7145BA	2000, 3000, 4000, 2600, 3600, 3900, 4100, 4600, 2310, 2610, 2810, 2910, 3610, 3910, 4110, 4610, 3230, 3430, 3930, 4130, 4630, Ind. 230A, 231, 233, 234, 250C, 260C, 2110LCG, 333, 334, 335, 340, 340A, 340B, 345C, 345D, 3400, 3500, 3550, 420, 445, 445A, 445C, 445D, 4110LCG, 4400, 4500, 515, 530A, 531, 532, 540, 540A, 540B, 545, 545A, 545D
16	F66920	Cone & Roller w/ Cup #28156	C5NN7N042A C5NN7N041A	(2000, 3000, 4000, 3400, 3500, 3550, 2110LCG, 4110LCG, 4400, 4500 65-4/71)
16	F04235	Cone & Roller w/ Cup LM501349 LM501310	67370 WAA4221A WAA4222A	(2000, 3000, 4000 5/71->), 2600, 3600, 3900, 4100, 4600, 2310, 2610, 3610, 3230, 3430, 3930, 4130, 4630, Ind. 230A, 231, 233, 234, 250C, 260C, (2110LCG 5/71->), 333, 334, 335, 340, 340A, 340B, 345C, 345D, (3400, 3500, 3550 5/71->), 420, 445, 445A, 445D, (4110LCG, 4400, 4500 5/71->), 515, 530A, 531, 532, 540, 540A, 540B, 545, 545A, 545D
17	F65683	Seal - Output Shaft (60.5 x 37.8 x 12.5mm) (2.38" x 1.49" x .50")	C5NN77086A	2000, 3000, 4000, 2600, 3600, 3900, 4100, 4600, 2310, 2610, 2810, 2910, 3610, 3910, 4110, 4610, 3230, 3430, 3930, 4130, 4630, Ind. 230A, 231, 233, 234, 250C, 260C, 2110LCG, 333, 334, 335, 340, 340A, 340B, 345D, 3400, 3500, 3550, 420, 445, 445A, 445D, 4110LCG, 4400, 4500, 515, 530A, 531, 532, 540, 540A, 540B, 545, 545A, 545D
18	F66099	Gear - PTO (50 Teeth)	D1NN791A	(4000 6/72->), 3900, 4100, 4600, 2810, 2910, 3910, 4110, 4610, 3230, 3430, 3930, 4130, 4630, Ind. 250C, 260C, 340, 340A, 340B, 345D, (3550 6/72->), 420, 445, 445A, 445D, (4110LCG 6/72->), (4400, 4500 6/72->), 455, 455A, 515, 530A, 531, 532, 540, 540A, 540B, 545, 545A, 545D
19	F18060	Bearing - Countershaft - Front (#6210) (50 x 90 x 20mm)	C5NN7N166B C0NN7C246B N115069B	2000, 3000, 4000, 2600, 3600, 3900, 4100, 4600, 2310, 2610, 2810, 2910, 3610, 3910, 4110, 4610, 3230, 3430, 3930, 4130, 4630, Ind. 230A, 231, 233, 234, 250C, 260C, 2110LCG, 333, 334, 335, 340, 340A, 340B, 345D, 3400, 3500, 3550, 420, 445, 445A, 445D, 4110LCG, 4400, 4500, 515, 530A, 531, 532, 540, 540A, 540B, 545, 545A, 545D
20	F65793	Gear - Main Countershaft (30/56 Teeth)	C5NN7113D	2000, 3000, 2600, 3600, 2310, 2610, 3610, Ind. 230A, 231, 233, 234, 2110LCG, 333, 334, 335, 3400, 3500, 4110LCG, 530A, 531
20	F65791	Gear - Main Countershaft (30/49 Teeth)	C5NN7113J	4000, 3900, 4100, 4600, 2810, 2910, 3910, 4110, 4610, 3930, 4630, Ind. 340, 3550, 420, 445, 4400, 4500, 5115, 532, 540, 545
21	F66110	Countershaft (18 Teeth) w/ Transmission PTO	C5NN7111M	2000, 3000, 2600, 3600, 2310, 2610, 3610, Ind. 230A, 231, 233, 234, 333, 334, 335, 3400, 3500, 4110LCG, 530A, 531
22	F18061	Bearing - Countershaft - Rear (#6211) (55 x 100 x 21mm)	C7NN7118B DDN7025A E1ADDN7025A	2000, 3000, 4000, 2600, 3600, 3900, 4100, 4600, 2310, 2610, 2810, 2910, 3610, 3910, 4110, 4610, 3230, 3430, 3930, 4130, 4630, Ind. 230A, 231, 233, 234, 250C, 260C, 2110LCG, 333, 334, 335, 340, 340A, 340B, 345D, 3400, 3500, 3550, 420, 445, 445A, 445D, 4110LCG, 4400, 4500, 515, 530A, 531, 532, 540, 540A, 540B, 545, 545A, 545D

We have attempted to insure the accuracy of the information listed and reserve the right for type error.

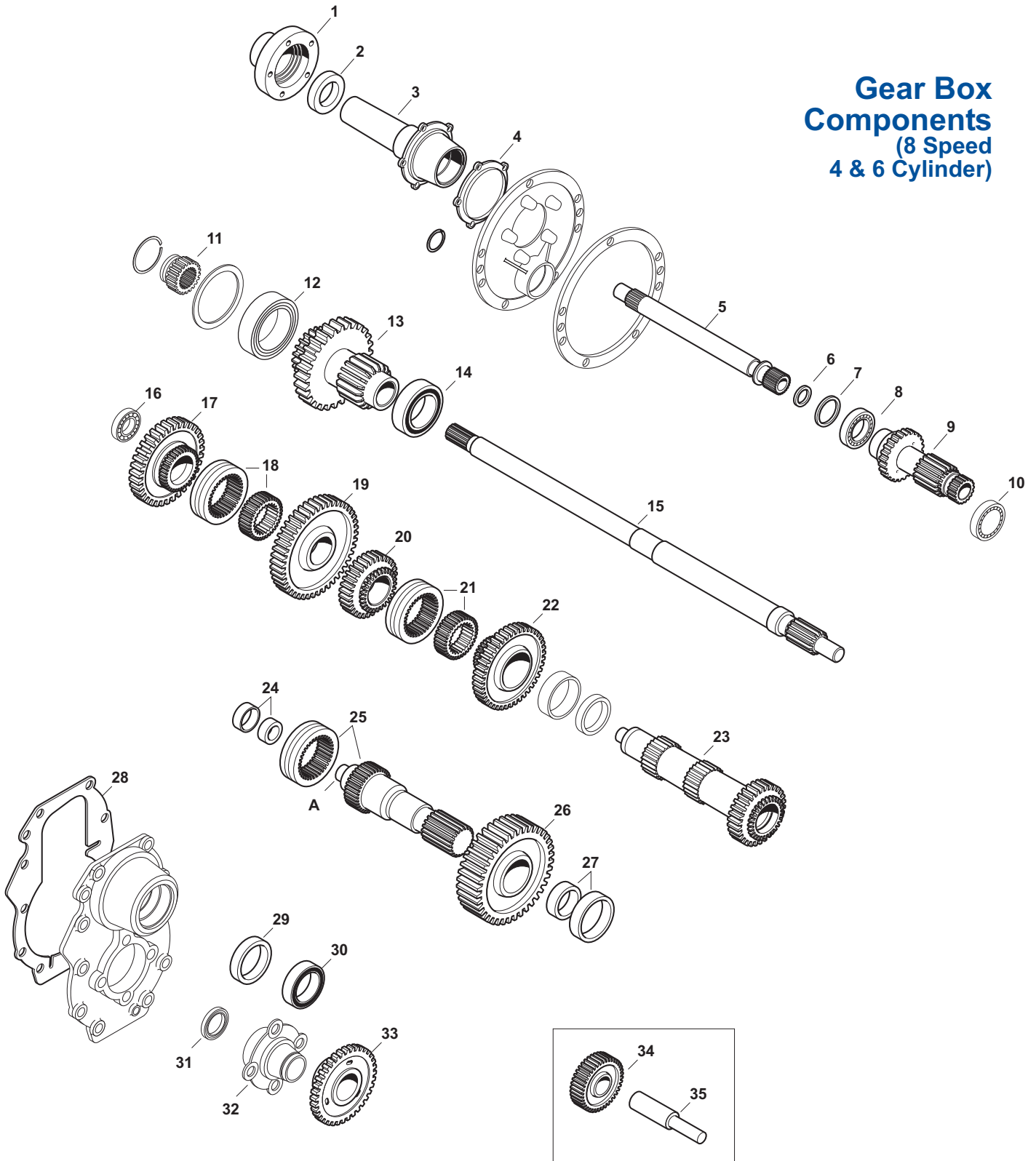
Some part numbers and manufactures' names are used strictly for reference purpose only Any prices listed are subject to change without notice and are in US dollars Not all items are stocking items



## Gear Box Components (8 Speed - Non-Synchro - 3 Cylinder)

OUR No.	DESCRIPTION	EQUIVALENT	TRACTOR MODEL
23	<b>F65348</b> Coupling - Sliding Gear (21 Teeth)	E0NN7106BA	2000*, 3000*, 4000*, 2600*, 3600*, 3900*, 4100*, 4600*, 2310, 2610, 2810, 2910, 3610, 3910, 4110, 4610, 3230, 3430, 3930, 4130, 4630, Ind. 230A, 231*, 233*, 234, 250C, 260C, 2110LCG*, 333*, 334, 335*, 340*, 340A*, 340B*, 345D*, 3400*, 3500*, 3550*, 420, 445*, 445A, 445D, 4110LCG*, 4400*, 4500*, 515*, 530A, 531*, 532, 540*, 540A, 540B, (*Must be used with C5NN7102F (F66107) 2nd Gear only)
24	<b>F18062</b> Bearing - Secondary Countershaft - Front (#6212) (60 x 110 x 22 mm)	20141040 C5NN7127B 28996590 CAR25813	2000, 3000, 4000, 2600, 3600, 3900, 4100, 4600, 2310, 2610, 2810, 2910, 3610, 3910, 4110, 4610, 3230, 3430, 3930, 4130, 4630, Ind. 230A, 231, 233, 234, 250C, 260C, 2110LCG, 333, 334, 335, 340, 340A, 340B, 345D, 3400, 3500, 3550, 420, 445, 445A, 445D, 4110LCG, 4400, 4500, 515, 530A, 531, 532, 540, 540A, 540B, 545, 545A, 545D
25	<b>F66124</b> Countershaft - Secondary (35/16 Teeth)	C5NN7113A	Same as Above
26	<b>F66109</b> Countershaft - PTO (12 1/8" Long) w/ Transmission PTO	C5NN702A	(2000, 3000, 2600, 3600, 2310, 2610, 3610, Ind. 230A, 231, 233, 234, 2110LCG, 333, 334, 335, 3400, 3500, 4110LCG, 4400, 4500, 530A, 531
27	<b>F65682</b> Seal - PTO Countershaft (43 x 73 x 15.9mm)	E62GE9	2000, 3000, 4000, 2600, 3600, 3900, 4100, 4600, 2310, 2610, 2810, 2910, 3610, 3910, 4110, 4610, 3230, 3430, 3930, 4130, 4630, Ind. 230A, 231, 233, 234, 250C, 260C, 2110LCG, 333, 334, 335, 340, 340A, 340B, 345D, 3400, 3500, 3550, 420, 445, 445A, 445D, 4110LCG, 4400, 4500, 515, 530A, 531, 532, 540, 540A, 540B, 545, 545A, 545D
28	<b>F18057</b> Bearing - PTO Driveshaft (#6207) (35 x 72 x 17mm)	E75GE9 C5NN7118A	2000, 3000, 4000, 2600, 3600, 3900, 4100, 4600, 2310, 2610, 2810, 2910, 3610, 3910, 4110, 4610, Ind. 230A, 231, 233, 234, 2110LCG, 333, 334, 335, 340, 340A, 340B, 3400, 3500, 3550, 420, 445, 445A, 4110LCG, 4400, 4500, 515, 530A, 531, 532, 540, 540A, 540B, 545, 545A
28	<b>F18060</b> Bearing - PTO Driveshaft (#6210) (50 x 90 x 20 mm)	C5NN7N166B C0NN7C246B N115069B	3230, 3430, 3930, 4130, 4630
29	<b>F66052</b> Sleeve - PTO Intermediate Shaft *w/ Transmission PTO	C5NN705A	2000, 3000, 4000*, 2600, 3600, 3900*, 4100*, 4600*, 2310, 2610, 2810*, 2910*, 3610, 3910*, 4110*, 4610*, Ind. 230A, 231, 233, 234, 2110LCG, 333, 334, 335, 340*, 3400, 3500, 3550*, 420*, 445*, 4110LCG, 4400*, 4500*, 515*, 530A, 531, 532*, 540*, 545*
30	<b>F66116</b> Reverse Idler Gear (33 Teeth)	C5NN7141A	(2000, 3000, 4000 65->9/65), 2600, 3600, 2310*, 2610*, 3610*, Ind. 231*, 233*, 234*, 333*, 334*, 335*, (3400, 3500, 3550, 4110LCG, 4400, 4500 65->9/65), 530A*, 531 (*Check Tooth Count)
30	<b>F66117</b> Reverse Idler Gear (31 Teeth)	C5NN7141B	(2000, 3000, 4000 9/65->), 2600*, 3600*, 3900*, 4100*, 4600*, 2310*, 2610*, 2810, 2910, 3610*, 3910, 4110, 4610, 3230, 3430, 3930, 4130, 4630, Ind. 230A*, 231*, 233*, 234*, 250C, 260C, (2110LCG 9/65->), 333*, 334*, 335*, 340, 340A, 340B, 345D, (3400, 3500, 3550 9/65->), 420, 445, 445A, 445D, (4110LCG, 4400, 4500 9/65->), 515, 530A*, 531*, 532, 540, 540A, 540B, 545, 545A, 545D
31	<b>F66115</b> Shaft - Reverse Idler	C5NN7140B	2000, 3000, 4000, 2600, 3600, 3900, 4100, 4600, 2310, 2610, 2810, 2910, 3610, 3910, 4110, 4610, 3230, 3430, 3930, 4130, 4630, Ind. 230A, 231, 233, 234, 250C, 260C, 2110LCG, 333, 334, 335, 340, 340A, 340B, 345D, 3400, 3500, 3550, 420, 445, 445A, 445D, 4110LCG, 4400, 4500, 515, 530A, 531, 532, 540, 540A, 540B, 545, 545A, 545D
32	<b>F66140</b> Gasket - Rear Cover	C5NN7086A	Same as Above

## Gear Box Components (8 Speed 4 & 6 Cylinder)



We have attempted to insure the accuracy of the information listed and reserve the right for type error.

Some part numbers and manufactures' names are used strictly for reference purpose only  
Any prices listed are subject to change without notice and are in US dollars. Not all items are stocking items

www.ForMenWhoGrow.com - Contact: RickStair@gmail.com





## Gear Box Components (8 Speed - 4 & 6 Cylinder)

OUR No.	DESCRIPTION	EQUIVALENT	TRACTOR MODEL
1	<b>F65352</b> Drive Plate (15 Spline)	C5NN777A	5000, 7000, 8000, 9000, 5600, 5900, 6600, 6700, 7600, 7700, 5610, 5610S, 6610, 6610S, 6710, 6810, 7610, 7610S, 7710, 7810, 7810S, 7910, 8010, 8210, 5640, 6640, 7740, 7840, 8240, TS90, TS100, TS110
1	<b>F65846</b> Drive Plate (20 Spline)	E1NNN777AB	(NOTE: These plates can replace each other, but make sure you have correct drive shaft to match)
2	<b>F65330</b> Bearing - Drive Plate	F0NNN779AA C5NNN779B	5000, 7000, 8000, 8600, 8700, 9000, 9600, 9700, 5600, 5900, 6600, 6700, 7600, 7700, 5610, 5610S, 6610, 6610S, 6710, 6810, 7610, 7610S, 7710, 7810, 7810S, 7910, 8010, 8210, 5640, 6640, 7740, 7840, 8240, TS90, TS100, TS110
3	<b>F66119</b> Support	C5NN7N541B	5000, 5600, 6600, 6700
4	<b>F66139</b> Gasket - Support	E7NN7N051AA C5NN7N051A	5000, 5600, 5900, 6600, 6700, 7600, 7700, 5610, 6610, 6710, 6810, 7610, 7710
5	<b>F65337</b> Input Shaft (19.22" Long, 25/20 Splines)	C5NN7017A	(5000, 7000, 5600, 5900, 6600, 6700, 7600, 7700 less Dual Power, less Synchro)
5	<b>F65961</b> Input Shaft (19.22" Long, 25/20 Splines)	E0NN7017HA	(5900, 5610, 6610, 6710, 7610, 7710 1/81-4/84 less Dual Power, less Synchro)
5	<b>F65964</b> Input Shaft (19.22" Long, 10/20 Splines)	E2NN7017EA	(5900, 5610, 5610S, 6610, 6610S, 6710, 6810, 7610, 7610S, 7710, 7810S, 8010, 5640, 6640, 7740, 7840, 8240, TS90, TS100, TS110, 5/84-> less Dual Power, less Synchro)
6	<b>F65678</b> Seal - PTO Drive Shaft (28.5 x 40 x 6 mm)	C5NN799A	5000, 7000, 8000, 8600, 8700, 9000, 9600, 9700, TW5, TW10, TW15, TW20, TW25, TW30, TW35, 5600, 5900, 6600, 6700, 7600, 7700, 5610, 5610S, 6610, 6610S, 6710, 6810, 7610, 7610S, 7710, 7810, 8010, 5640, 6640, 7740, 7840, 8240, 8530, 8630, TS90, TS100, TS110 (less Synchro)
7	<b>F65675</b> Seal - Input Shaft (60 x 80 x 9.5 mm)	D9NN7048BA	5000, 7000, 5600, 5900, 6600, 7600, 7700, 5610, 5610S, 6610, 6610S, 6710, 6810, 7610, 7710, 7810, 7810S, 8010, (5640, 6640, 7740, 7840, 8240 less Dual Power), TS90, TS100, TS110
8	<b>F18013</b> Bearing - Mainshaft - Front (65 x 100 x 18 mm) (#6013)	C5NN7N046A	5000, 5600, 5900, 6600, 7600, 7700, 5610, 5610S, 6610, 6710, 6810, 7610, 7610S, 7710, 7810S, 8010, 5640, 6640, 7740, 7840, 8240, TS90, TS100, TS110
9	<b>F66122</b> Mainshaft (30/16 Teeth)	C5NN7C094A	(5000 65-9/65)
9	<b>F65343</b> Mainshaft (30/18 Teeth) less Dual Power	C9NN7C094B	(5000 9/65-> NOTE: If replacing mainshaft in tractors built prior to 2/71, the 3rd/7th Gear F65341 must be used also. Failure to install both parts will cause severe gear noise.) 5600, 5900, 6600, 6700, (5610, 6610, 6710, 6810 1/84-4/84)
10	<b>F65348</b> Coupling - Countershaft	E0NN7106BA	5000, 5600, 6600, 6700, 7600, 7700, 5610S, 6610S, 7610S, 7810S, 8010, 5640, 6640, 7740, 7840, 8240, TS90, TS100, TS110
11	<b>F18061</b> Bearing - Mainshaft - Rear (55 x 100 x 21 mm) (#6211)	C7NN7118B DDN7025A E1ADDN7025A	5000, 5600, 6600, 6700
12	<b>F18062</b> Bearing - Secondary Countershaft - Front (60 x 110 x 22 mm) (#6212)	20141040 C5NN7127B 28996590 CAR25813	5000, 7000, 5600, 5900, 6600, 6700, 7600, 7700, 5610, 5610S, 6610, 6610S, 6710, 6810, 7610, 7610S, 7710, 7810, 8010, 4830, 5030, 5640, 6640, 7740, 7840, 8240, TS90, TS100, TS110
13	<b>F66124</b> Secondary Countershaft (35/16 Teeth)	C5NN7113B	(5000 ->2/71)
13	<b>F66123</b> Secondary Countershaft (35/16 Teeth)	C9NN7113B	(5000 3/71-> NOTE: Can replace F66124 but F65344 Countershaft must also be used. Failure to do so will result in severe gear noise), 5600, 5900, 6600, 6700, 5610, 6610, 6710, 6810, 7610, 7710, 5640, 6640, 7740, 7840, 8240
13	<b>F66128</b> Secondary Countershaft (34/16 Teeth)	D0NN7113C	7000, 7600, 7700, 7610, 7710
14	<b>F18109</b> Bearing - Secondary Countershaft - Rear (45 x 100 x 25) (#6309)	D0NN7127A	7000, 7600, 7700, 7610, 7710

We have attempted to insure the accuracy of the information listed and reserve the right for type error.

Some part numbers and manufactures' names are used strictly for reference purpose only  
Any prices listed are subject to change without notice and are in US dollars Not all items are stocking items

www.ForMenWhoGrow.com - Contact: RickStair@gmail.com



## Gear Box Components (8 Speed - 4 & 6 Cylinder)

OUR No.	DESCRIPTION	EQUIVALENT	TRACTOR MODEL
15	<b>F65735</b> Shaft - PTO Drive (15 Spline)	C5NN7A684A	5000, 7000, 5600, 5900, 6600, 6700, 7600, 7700, 5610, 6610, 6710, 7610, 7710, Non-Synchro Trans (Uses Drive Hub F65352)
15	<b>F65879</b> Shaft - PTO Drive (20 Spline)	E4NN7A684AA	5000, 7000, 5600, 5900, 6600, 6700, 7600, 7700, 5610, 6610, 6710, 7610, 7710, Non-Synchro Trans (Uses Drive Hub F65846)
15	<b>F65880</b> Shaft - PTO Drive (20 Spline)	E1NN7A684AB	5900, 5610, 6610, 6710, 6810, 7610, 7710, Non-Synchro Trans
16	<b>F18231</b> Bearing - Mainshaft - Front (30 x 72 x 19 mm) (#30306)	D0NNN755B	5000, 5600, 6600, 6700
17	<b>F65341</b> Gear - 3/7th (35 Teeth)	E6NN7N315AA C9NN7N315B	(5000 3/71->), 7000, 5600, 5900, 6600, 6700, 5610, 6610, 6710, 6810, 7610, 7710 w/ Dual Power
17	<b>F66136</b> Gear - 3/7th (34 Teeth)	D2NN7N315A	7000, 7600, 7700, 7610, 7710 less Dual Power
18	<b>F65346</b> Connector & Coupling Assembly Front	E6NN7N072AA D9NN7N072A	5000, 5600, 5900, 6600, 6700, 5610, 5610S, 6610, 6610S, 6710, 6810, 7610, 7710, 8010, 5640, 6640, 7740, 7840, 8240, TS90, TS100, TS110 less Dual Power
18	<b>F66135</b> Connector & Coupling Assembly Front	D2NN7N072A	7000, 7600, 7700, 7610, 7710
19	<b>F66120</b> Gear - 1st/5th (49 Teeth)	C5NN7N100A	(5000 65-9/65->)
19	<b>F65338</b> Gear - 1st/5th (46 Teeth)	E6NN7N100AA C5NN7N100C	(5000 10/65->), 7000, 5600, 5900, 6600, 6700, (5610, 6610, 6710, 6810, 7610, 7710 1/81-4/84), (4830, 5030 less Dual Power)
19	<b>F65134</b> Gear - 1st/5th (46 Teeth)	E6NN7N100BA E2NN7N100AA D2NN7N100A	5000, 5900, 7600, 7700, (5610, 6610, 6710, 6810, 7610, 7710, 5610, 6610S, 7610S w/ Dual Power), 5640, 6640, 7740, 7840, 8240, TS90, TS100, TS110
20	<b>F66132</b> Gear - Reverse (30 Teeth)	C5NN7N012A	(5000 65-9/65)
20	<b>F65340</b> Gear - Reverse (32 Teeth)	E6NN7N012AA C5NN7N012B	(5000 9/65->), 7000, 5600, 6600, 6700, 5610, 6610, 6710, 4830, 5030 less Dual Power
20	<b>F66133</b> Gear - Reverse (32 Teeth)	E6NN7N012BA E2NN7N012BA	(5000, 7000, 5600, 6600, 6700 w/ Dual Power), (7600, 7700 w/ or less Dual Power), (5610, 6610, 6710, 6810, 7610, 7710 5/85->), 8010, 5610S, 6610S, 7610S, 7810S, 5640, 6640, 7740, 7840, 8240, TS90, TS100, TS110
21	<b>F65347</b> Connector & Coupling Assembly Rear	E6NN7N072BA	5000, 7000, 5600, 5900, 6600, 6700, 7600, 7700, 5610, 6610, 6610S, 6710, 6810, 7610, 7610S, 7710, 7810S, 8010, 5640, 6640, 7740, 7840, 8240, TS90, TS100, TS110
22	<b>F65342</b> Gear - 2nd (43 Teeth)	E6NN7N101BA D2NN7N101A	(5000, 7000 w/ Dual Power), 5600, (5900 ->8/87), 6600, 6700, 7600, 7700, 5610, 5610S, 6610, 6610S, 6710, 6810, 7610, 7610S, 7710, 7810S, 8010, 5640, 6640, 7740, 7840, 8240, TS90, TS100, TS110
23	<b>F65344</b> Countershaft (30 Teeth) (Inner Brg Cup 2.126")	E6NN7111AA D2NN7111A C9NN7111B	(5000 If used on tractors prior to 2/71, part numbers F66123 Secondary Countershaft, F66137 Coupling & Shaft, F03096 Cone, Roller & Cup must be used.), (5600, 5900, 6600, 6700, 5610, 6610, 6710, 6810, 7610, 7710 If used on tractors prior to 8/87, part numbers F66137 Coupling and Shaft, F03096 Cone, Roller & Cup must be used), 5610S, 6610S, 7610S, 7810S, 8010, 5640, 6640, 7740, 7840, 8240, TS90, TS100, TS110
23	<b>F66131</b> Countershaft (29 Teeth)	D2NN7111B	7000, 7600, 7700, 7610, 7710
24	<b>F18213</b> Bearing - Cone & Roller, Cup (#30205) Cup=2.047" OD, Cone/Roller=1" ID	C5NN7N044A C5NN7N047A C5NN7N048A	(5000 less Dual Power), 5600, 5900, 6600, 6700, 7600, 7700, (5610, 6610, 6710, 6810 LDP ->4/84 w/ or less DP 5/85->), 7610, 7710, 4830, 5030 (Check dimensions before ordering)
24	<b>F03096</b> Bearing - Cone & Roller, Cup (#21075 Cone, #21212 Cup) Cup=2.125" OD Cone=.750" ID	D0NN7N047A D0NN7N048A	(5000 w/ Dual Power), 7000, 5600, 5900, 6600, 6700, 7600, 7700, (5610, 6610, 6710, 6810 w/ Dual Power 1/81-4/84, w/ or less Dual Power 5/85->), 7610, 7710, 8010, 8210, 5610S, 6610S, 7610S, 7810S, 5640, 6640, 7740, 7840, 8240, TS90, TS100, TS110

We have attempted to insure the accuracy of the information listed and reserve the right for type error.

Some part numbers and manufactures' names are used strictly for reference purpose only  
Any prices listed are subject to change without notice and are in US dollars Not all items are stocking items

www.ForMenWhoGrow.com - Contact: RickStair@gmail.com

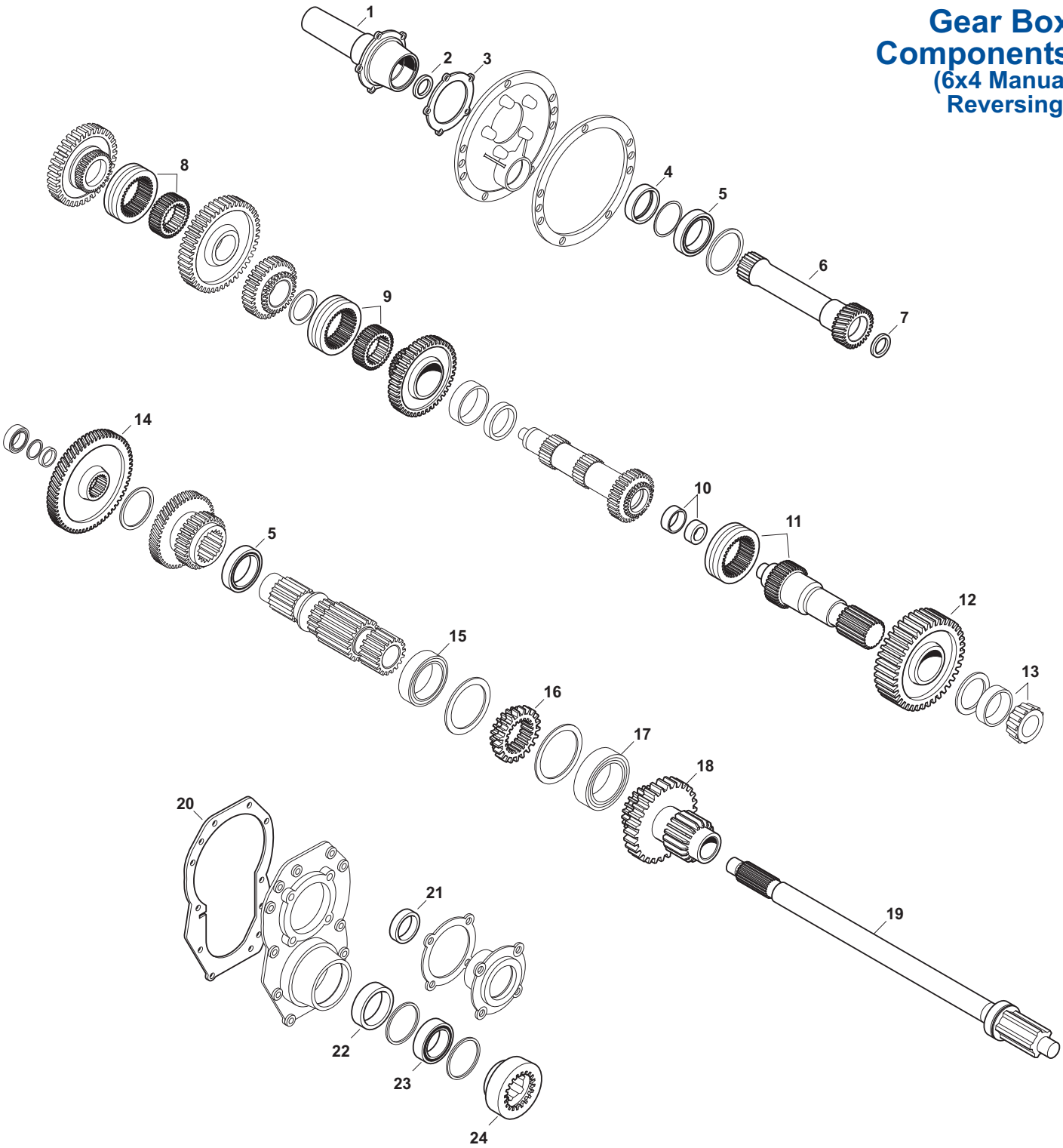
## Gear Box Components (8 Speed - 4 & 6 Cylinder)

OUR No.	DESCRIPTION	EQUIVALENT	TRACTOR MODEL
25	F65345	Shaft & Coupler Assembly Output Shaft	C7NN071D (5000 ->4/71)
25	F66126	Shaft & Coupling Assembly Output Shaft (A=1")	(5000 5/71-> less Dual Power), (5600, 5900, 6600, 6700 ->4/84 less Dual Power), (5610, 6610, 6710, 6710, 7610, 7710 ->4/84 less Dual Power)
25	F66137	Shaft & Coupling Assembly Output Shaft (A=.75")	E6NN7N071BA D2NN7N071B D2NN7N071A (7000 w/ or less Dual Power), (5600, 6600, 6700 5/84-> less Dual Power), (5600, 6600, 6700 less Dual Power), (5900 81-7/87 w/ Dual Power), (7600, 7700 w/ or less Dual Power), (5610, 6610, 6710, 6810, 7610, 7710 81-7/87 w/ Dual Power), (5640, 6640, 7740, 7840, 8240 w/ or less Dual Power)
25	F66118	Shaft & Coupling Assembly Output Shaft	E6NN7N071AA C7NN7N071A 5610S, 6610S, 7610S, 7810S, 8010, 4830, 5030, TS90, TS100, TS110
26	F66114	Gear - Output Shaft (49 Teeth)	C5NN7145A E6NN7145BA (5000, 7000 less Dual Power), (5600, 5900, 6600, 6700, 7600, 7700 less Dual Power), (5610, 6610, 6710, 6810, 7610, 7710 ->4/84 less Dual Power), (5610, 6610, 6710, 6810, 7610, 7710, 8/87-> w/ or less Dual Power), 8010, (5610S, 6610S, 7610S, 7810S w/ or less Dual Power), 4830, 5030, 5640, 6640, 7740, TS90, TS100, TS110
27	F66920	Cone & Roller, Cup 28156 - Cone & Roller 28300 - Cup	C5NN7N042A C5NN7N041A (5000 65-4/71)
27	F04235	Bearing - Cone & Roller, Cup LM 501349 Cone & Roller LM 501310 Cup	67370 67371 WAA4221A WAA4222A (5000 5/71->), 7000, 5600, 6600, 6700, 7600, 7700, 5610, 6610, 6710, 6810, 7610, 7710, 8010, 5610S, 6610S, 7610S, 5640, 6640, 7740, 7840, 8240, TS90, TS100, TS110
28	F66140	Gasket	C5NN7086A 5000, 7000, 5600, 5900, 6600, 6700, 7600, 7700, 5610, 6610, 6710, 6810, 7610, 7710
29	F65682	Seal - PTO Countershaft (43 x 73 x 15.9 mm)	E62GE9 5000, 5600, 5900, 6600, 6700, 7600, 7700, 5610, 6610, 6710, 6810, 7610, 7710, 5610S, 6610S, 7610S, 7810S, 8010
30	F18057	Bearing - PTO (35 x 72 x 17 mm) (#6207)	E75GE9 C5NN7118A 5000, 5600, 5900, 6600, 6700, 7600, 7700, 5610, 6610, 6710, 6810, 7610, 7710, 5610S, 6610S, 7610S, 7810S, 8010
31	F65683	Seal - Output Shaft (60.5 x 37.8 x 12.5 mm)	C5NN77086A 5000, 7000, 5600, 5900, 6600, 6700, 7600, 7700
32	F67055	Retainer - Output Shaft	C7NN7049D (5000 ->4/71)
33	F60713	Gear - Hydraulic Pump Drive w/ Bushing (1.350" thk overall)	D7NN883A (5000 ->4/71)
33	F65850	Gear - Hydraulic Pump Drive w/ Bushing (1.120" thk overall)	D9NN883AA D3NN883A (5000 ->5/71), 7000, 5600, 5900, 6600, 6700, 7600, 7700, 5610, 6610, 6710, 6810, 7610, 7710
34	F66116	Gear - Reverse Idler (33 Teeth)	C5NN7141A (5000 ->9/65)
34	F66117	Gear - Reverse Idler (31 Teeth)	C5NN7141B (5000 9/65-> less Dual Power), 5600, (5900 less Dual Power), 6600, (6700 less Dual Power), 7600, (5610, 6610, 6710, 7610, 7710 less Dual Power 1/81-4/84), 4830, 5030
35	F66125	Shaft - Reverse Idler (3.5" Long)	C7NN7140C (5000 4/68->), 7000, 5600, 5900, 6600, 6700, 7600, 7700, 5610, 6610, 6710, 6810, 7610, 7710, 8010, 5610S, 6610S, 7610S, 7810S, 5640, 6640, 7740, 7840, 8240, TS90, TS100, TS110
35	F66115	Shaft - Reverse Idler (6.30" Long)	C5NN7140B 4830, 5030

We have attempted to insure the accuracy of the information listed and reserve the right for type error.

Some part numbers and manufactures' names are used strictly for reference purpose only  
Any prices listed are subject to change without notice and are in US dollars Not all items are stocking items

## Gear Box Components (6x4 Manual Reversing)



We have attempted to insure the accuracy of the information listed and reserve the right for type error.

Some part numbers and manufactures' names are used strictly for reference purpose only  
Any prices listed are subject to change without notice and are in US dollars. Not all items are stocking items

www.ForMenWhoGrow.com - Contact: RickStair@gmail.com



## Gear Box Components (6x4 Manual Reversing)

OUR No.	DESCRIPTION	EQUIVALENT	TRACTOR MODEL
1	<b>F66111</b> Housing w/ Trans PTO or less PTO	C5NN7050A	2000, 3000, 2600, 3600, 2610, 2610, Ind. 3400, 3500, 335, 550, 555, 555A, 555B, 655, 655A
2	<b>F65674</b> Oil Seal (2.188" x 1.125" x .50")	D9NN7R510AB	2000, 3000, 2600, 3600, 2610, 2810, 2910, 3610, 3910, Ind. 340, 340A, 340B, 3400, 335, 3500, 3550, 420, 445, 445A, 455, 4400, 4500, 515, 540, 540A, 540B, 545, 545A, 550, 555, 555A, 555B, 655, 655A
3	<b>F66139</b> Gasket	C5NN7N051B E7NN7N051AA	2000, 3000, 2600, 3600, 2610, 2810, 2910, 3610, 3910, Ind. 250C, 260C, 340, 340A, 340B, 3400, 335, 3500, 3550, 420, 445, 445A, 455, 4400, 4500, 515, 540, 540A, 540B, 545, 545A, 550, 555, 555A, 555B, 655, 655A
4	<b>F65914</b> Oil Seal w/ Ind. PTO (3.125" x 1.937" x .484")	D9NNC729BA	Ind. 250C, 260C, 340, 340A, 340B, 345C, 345D, 3550, 420, 445, 445A, 445C, 445D, 4400, 4500, 515, 535, 531, 540, 540A, 540B, 545, 545A, 545C, 545D, 550, 555, 555A, 555B, 655, 655A
5	<b>F18060</b> Bearing - PTO Input Shaft #6210 (90 x 50 x 20 mm)	C5NN7N166B C0NN7C246B N115069B	2000, 3000, 2600, 3600, 2610, 3610, Ind. 335, 3400, 3500, 3550, 340, 340A, 340B, 420, 445, 445A, 4400, 4500, 515, 531, 535, 540, 540A, 540B, 545, 545A, 550, 555, 555A, 555B
6	<b>F65349</b> PTO Input Shaft w/ Ind. PTO	D1NN722B	2000, 3000, Ind. 250C, 260C, 340, 340A, 340B, 3400, 345C, 345D, 420, 445, 445A, 445C, 445D, 4400, 4500
7	<b>F65677</b> Oil Seal w/ Ind. PTO (1.50" x 1.05" x .268")	957E727A	Ind. 250C, 260C, 340, 340A, 340B, 345C, 345D, 3550, 420, 445, 445A, 445C, 445D, 4400, 4500, 515, 535, 531, 540, 540A, 540B, 545, 545A, 545C, 545D, 550, 555, 555A, 555B, 655, 655A
8	<b>F65346</b> Connector & Coupling Assembly	E6NN7N072AA D6NN7N072A	2000, 3000, 2600, 3600, 2610, 3610, Ind. 335, 340, 340A, 340B, 3400, 345C, 345D, 3500, 3550, 420, 445, 445A, 445C, 445D, 455, 4400, 4500, 515, 531, 535, 540, 540A, 540B, 545, 545A, 545C, 545D, 550, 555, 555A, 555B, 655, 655A
9	<b>F65347</b> Connector & Coupling Assembly	E6NN7N072BA D6NN7N072B	2000, 3000, 2600, 3600, 2610, 3610, Ind. 250C, 260C, 335, 340, 340A, 340B, 3400, 345C, 345D, 3500, 3550, 420, 445, 445A, 445C, 445D, 455, 4400, 4500, 515, 531, 535, 540, 540A, 540B, 545, 545A, 545C, 545D, 550, 555, 555A, 555B, 655, 655A
10	<b>F18213</b> Cone & Roller, Cup - Output Shaft to Main Shaft (25 x 52 x 15 mm) (#30205)	C5NN7N044A C5NN7N047A C5NN7N048A	2000, 3000, 2600, 3600, 2610, 3610, Ind. 250C, 260C, 335, 340, 3400, 340A, 340B, 3500, 3550, 345C, 345D, 420, 445, 445A, 445C, 445D, 4400, 4500, 455, 515, 531, 535, 540, 540A, 540B, 545, 545A, 545C, 545D, 550, 555, 555A, 555B, 655, 655A
11	<b>F66118</b> Output Shaft & Coupling Assembly	E6NN7N071AA C9NN7N071A	(2000, 3000 5/71->), 2600, 3600, 2610, 3610, Ind. 250C, 260C, 335, 340, 340A, 340B, (3400, 3500, 3550 5/71->), 345C, 345D, 420, 445, 445A, 445C, 445D, 455, 515, 531, 535, 540, 540A, 540B, 545, 545A, 545C, 545D, 550, 555, 555A, 555B, 655, 655A
12	<b>F66114</b> Gear - Output Shaft (49 Teeth)	E6NN7145BA C5NN7145A	2000, 3000, 2600, 3600, 2610, 3610, Ind. 250C, 260C, 335, 3400, 340, 340A, 340B, 345C, 345D, 3500, 3550, 420, 445, 445A, 445C, 445D, 4400, 4500, 455, 515, 531, 535, 540, 540A, 540B, 545, 545A, 545C, 545D, 550, 555, 555A, 555B, 655, 655A
13	<b>F66920</b> Cone & Roller, Cup - Output Shaft Cone & Roller #28156 Cup #28300	C5NN7N042A C5NN7N041A	(2000, 3000, Ind. 3400, 3500, 3550, 4400, 4500 ->4/71)
13	<b>F04235</b> Cone & Roller, Cup - Output Shaft Cone & Roller #LN501349 Cup #LN501310	WAA4221A WAA4222A WAA4220A	(2000, 3000 5/71->), 2600, 3600, 2610, 3610, Ind. 250C, 260C, 335, 340, 340A, 340B, (3400 5/71->), 345C, 345D, (3500, 3550 5/71->), 420, 445, 445A, 445C, 445D, (4400, 4500 5/71->), 455, 515, 531, 535, 540, 540A, 540B, 545, 545A, 545C, 545D, 550, 555, 555A, 555B
14	<b>F66099</b> Gear - PTO (50 Teeth)	D1NN791A	Ind. (3550, 4400, 4500 6/72->), 250C, 260C, 340, 340A, 340B, 345C, 345D, 420, 445, 445A, 445C, 445D, 455, 515, 535, 531, 540, 540A, 540B, 545, 545A, 545A, 545C, 545D, 550, 555, 555A, 555B, 655, 655A
15	<b>F18061</b> Bearing (#6211) (55 x 100 x 21 mm)	C7NN7118B DDN7025A E1ADDN7025A	2000, 3000, 2600, 3600, 2610, 3610, Ind. 250C, 260C, 335, 340, 340A, 340B, 3400, 345C, 345D, 3500, 3550, 420, 445, 445A, 445C, 445D, 4400, 4500, 515, 531, 535, 540, 540A, 540B, 545, 545A, 545C, 545D, 550, 555, 555A, 555B, 655, 655A

We have attempted to insure the accuracy of the information listed and reserve the right for type error.

Some part numbers and manufactures' names are used strictly for reference purpose only  
Any prices listed are subject to change without notice and are in US dollars Not all items are stocking items

www.ForMenWhoGrow.com - Contact: RickStair@gmail.com



## Gear Box Components (6x4 Manual Reversing)

OUR No.	DESCRIPTION	EQUIVALENT	TRACTOR MODEL
16	F65348 Coupling - Countershaft	E0NN7106BA	2000, 3000, 2600, 3600, 2610, 3610, Ind. 250C, 260C, 335, 340, 340A, 340B, 3400, 345C, 345D, 3500, 3550, 420, 4400, 4500, 445, 445A, 445C, 445D, 455, 515, 531, 535, 540, 540A, 540B, 545, 545A, 545C, 545D, 550, 555, 555A, 555B, 655, 655A
17	F18062 Bearing - Countershaft - Front (#6212) (60 x 110 x 22 mm)	C5NN7127B 20141040 28996590 CAR25813	2000, 3000, 2600, 3600, 2610, 3610, Ind. 250C, 260C, 335, 340, 340A, 340B, 3400, 345C, 345D, 3500, 3550, 420, 4400, 4500, 445, 445A, 445C, 445D, 455, 515, 531, 535, 540, 540A, 540B, 545, 545A, 545C, 545D, 550, 555, 555A, 555B, 655, 655A
18	F66124 Countershaft - Secondary (35 Teeth)	C5NN7113B	2000, 3000, 2600, 3600, 2610, 3610, Ind. 250C, 260C, 335, 340, 340A, 340B, 3400, 345C, 345D, 3500, 3550, 420, 4400, 4500, 445, 445A, 445C, 445D, 455, 515, 531, 535, 540, 540A, 540B, 545, 545A, 545C, 545D, 550, 555, 555A, 555B, 655, 655A
19	F66109 Countershaft - PTO	C5NN702A	2000, 3000, 2600, 3600, 2610, 3610, Ind. 335, 3400, 3500
20	F66140 Gasket	C5NN7086A	2000, 3000, 2600, 3600, 2610, 3610, Ind. 250C, 260C, 335, 340, 340A, 340B, 3400, 345C, 345D, 3500, 3550, 420, 4400, 4500, 445, 445A, 445C, 445D, 455, 515, 531, 535, 540, 540A, 540B, 545, 545A, 545C, 545D, 550, 555, 555A, 555B, 655, 655A
21	F65683 Seal - Output Shaft (39 x 61 x 12.7 mm)	C5NN77086A	2000, 3000, 2600, 3600, 2610, 3610, Ind. 250C, 260C, 335, 340, 340A, 340B, 3400, 345C, 345D, 3500, 3550, 420, 4400, 4500, 445, 445A, 445C, 445D, 455, 515, 531, 535, 540, 540A, 540B, 545, 545A, 545C, 545D, 550, 555, 555A, 555B, 655, 655A
22	F65682 Seal - PTO Countershaft - Rear (73.3 x 41.9 x 15.9 mm)	E62GE9	2000, 3000, 2600, 3600, 2610, 3610, Ind. 250C, 260C, 335, 340, 340A, 340B, 3400, 345C, 345D, 3500, 3550, 420, 4400, 4500, 445, 445A, 445C, 445D, 455, 515, 531, 535, 540, 540A, 540B, 545, 545A, 545C, 545D, 550, 555, 555A, 555B, 655, 655A
23	F18057 Bearing - PTO Countershaft - (Rear #6207) (35 x 72 x 17 mm)	E75GE9 C5NN7118A	2000, 3000, 2600, 3600, 2610, 3610, Ind. 250C, 260C, 335, 340, 340A, 340B, 3400, 345C, 345D, 3500, 3550, 420, 4400, 4500, 445, 445A, 445C, 445D, 455, 515, 531, 535, 540, 540A, 540B, 545, 545A, 545C, 545D, 550, 555, 555A, 555B, 655, 655A
24	F66052 Sleeve w/ Trans PTO	C5NNN705A	2000, 3000, 2600, 3600, 2610, 3610, Ind. 250C, 260C, 335, 340, 340A, 340B, 3400, 345C, 345D, 3500, 3550, 420, 4400, 4500, 445, 445A, 445C, 445D, 455, 515, 531, 535, 540, 540A, 540B, 545, 545A, 545C, 545D, 550, 555, 555A, 555B, 655, 655A

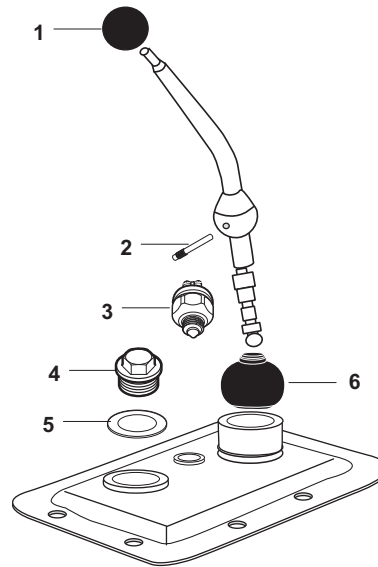
We have attempted to insure the accuracy of the information listed and reserve the right for type error.

Some part numbers and manufacturers' names are used strictly for reference purpose only  
Any prices listed are subject to change without notice and are in US dollars Not all items are stocking items

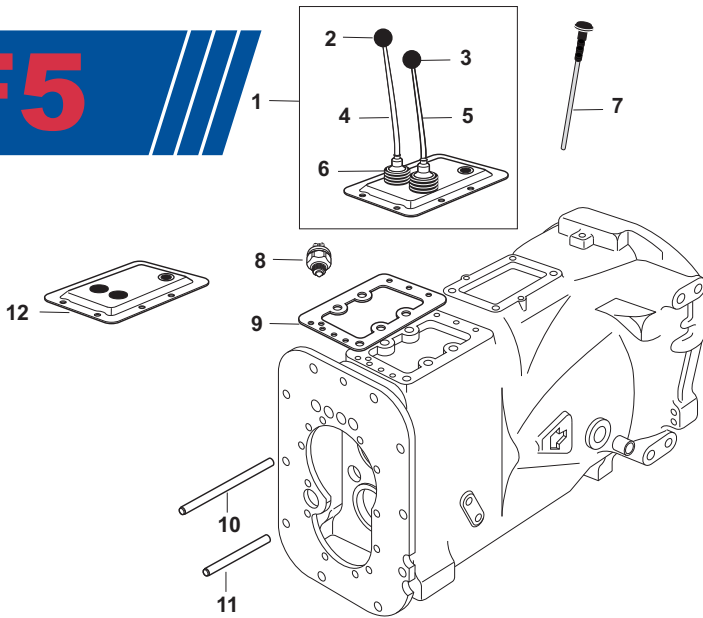




## Shift Cover & Components (4 Speed & Torque Converter)



OUR No.	DESCRIPTION	EQUIVALENT	TRACTOR MODEL
1	<b>F00640</b> Knob - Gear Shift Lever	C5NN7213A	2000, 3000, Ind. 2110LCG, 340, 340A, 3400, 420, 445, 4400, 4500, 531, 532, 535, 540, 540A, 545, 550, 555, 555A, 555B, 655, 655A
2	<b>F66422</b> Pin - Gear Shift Lever	9N7221B	2000, 3000, Ind. 2110LCG, 340, 340A, 3400, 420, 445, 4400, 4500, 531, 532, 535, 540, 540A, 545, 550, 555, 555A, 555B, 655, 655A
3	<b>F60834</b> Switch - Safety Start	C7NN7A247B	2000, 3000, Ind. 2110LCG, 340, 340A, 3400, 420, 445, 445A, 4400, 4500, 455A, 531, 532, 535, 540, 540A, 545, 545A, 550, 555, 555A, 555B, 655, 655A
4	<b>F41318</b> Plug - Oil Filler	9N7010	2000, 3000, Ind. 3400, 3500, 3550, 4500
5	<b>F61323</b> Gasket - Oil Filler Plug	8N7011	2000, 3000, Ind. 3400, 3500, 3550, 4500
6	<b>F61594</b> Gear Shift Boot	C5NN7277C	2000, 3000, Ind. 340, 340A, 3400, 3500, 3550, 420, 4400, 4500, 445, 531, 532, 535, 540, 540A, 545, 550, 555, 555A

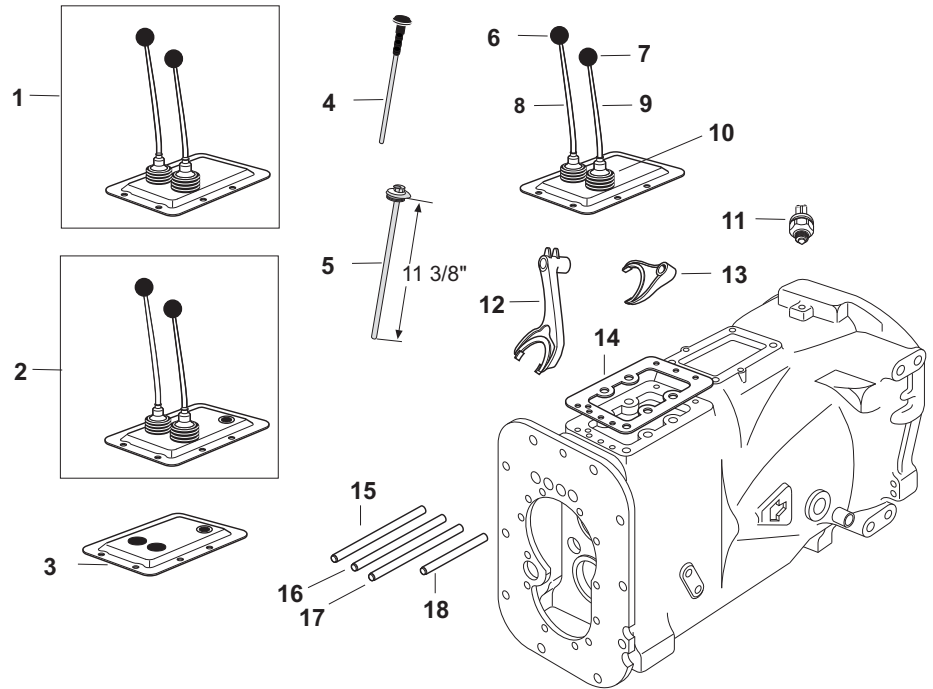


## Shift Cover Components (6 Speed)

OUR No.	DESCRIPTION	EQUIVALENT	TRACTOR MODEL
1	<b>F66211</b> Shift Cover w/ Lever Assembly Pressed Steel		(2000, 3000, Ind. 2110LCG, 3400, 3500 10/66->)
1	<b>F60009</b> Shift Cover Assembly w/ Hole (Dip Stick not included, Use F66812) Pressed Steel	D3NN7211A	2600, 3600, Ind. 231, 233, 335, 531
2	<b>F00640</b> Knob - Main Lever (5/16" x 1 3/4 Dia)	C5NN7213A	2000, 3000, 2600, 3600, Ind. 231, 233, 2110LCG, 3400, 3500, 335, 531
3	<b>F61786</b> Knob - High/Low	E440GB9	2000, 3000, 2600, 3600, Ind. 231, 233, 2110LCG, 3400, 3500, 335, 531
4	<b>F66147</b> Shift Lever (Main 13 1/4" Long)	C7NN7210AD	(2000, 3000 2/69->), Ind. (2110LCG, 3400, 3500 2/69->)
5	<b>F66148</b> Shift Lever - High/Low	C7NN7210AC	(2000, 3000 4/68->), 2600, Ind. (2110LCG, 4/68->), 231, 233, 335, (3400, 3500 4/68->), 531
6	<b>F61785</b> Boot - Gear Shift - Non-original		(Fits: F66321, F60009 (extra seal for OEM covers))
7	<b>F66812</b> Dipstick	E1NN7A020BA	2600, 3600, Ind. 231, 233
8	<b>F60973</b> Switch - Safety Starter	C7NN7A247A	(2000, 3000 10/66->), 2600, 3600, Ind. 231, 233, 335, 3400, 3500, 531
9	<b>F66321</b> Gasket - Shift Cover	C5NN7N225A 82004680	2000, 3000, 2600, 3600, Ind. 231, 233, 3400, 3500, 335, 531
10	<b>F66145</b> Rail (1-3/2-5)	C5NN7240A	2000, 3000, 2600, 3600, Ind. 231, 233, 335, 3400, 3500, 531
11	<b>F66142</b> Rail - High/Low	C5NN7240AD	(2000, 3000 10/66->), 2600, 3600, Ind. 231, 233, 335, 3400, 3500, 531
12	<b>F60717</b> Shift Cover - Bare - Pressed Steel		(2000, 3000 10/66->), Ind. 2110LCG, 3400, 3500



## Gear Shift Components (8 Speed)



OUR No.	DESCRIPTION	EQUIVALENT	TRACTOR MODEL
1	F66211	Shift Cover Assembly w/ Lever	2000, 3000, 4000, Ind. 2110LCG, 3400, 3500, 3550, 4110LCG, 4400, 4500
2	F60009	Shift Cover Assembly w/ Hole (Dipstick not included Use F66812)	2600, 3600, 3900, 4100, 4600, 2310, 2610, 2810, 2910, 3610, 3910, 4110, 4610, 3230, 3430, 3930, 4130, Ind. 230A, 231, 233, 234, 250C, 260C, 333, 334, 335, 340, 340A, 340B, 345D, 420, 445, 445D, 515, 530A, 531, 532, 535, 540, 540A, 540B, 545, 545A, 545D
3	F60717	Shift Cover - Bare Cover	C5NN7211F 2000, 3000, 4000, Ind. 2110LCG, 3400, 3500, 3550, 4110LCG, 4400, 4500
4	F66812	Dipstick	E1NN7A020BA 2600, 3600, 3900, 4100, 4600, 2310, 2610, 2810, 2910, 3610, 3910, 4110, 4610, 3230, 3430, 3930, 4130, Ind. 230A, 231, 233, 234, 250C, 260C, 333, 334, 335, 340, 340A, 340B, 345D, 420, 445, 445D, 515, 530A, 531, 532, 535, 540, 540A, 540B, 545, 545A, 545D
5	F66829	Plug w/ Dipstick	C7NN7N255A (5000 4/68->), 5600, 5900, 6600
6	F00640	Knob - Gearshift Lever - Main (5/16" UNF, 1 3/4" Dia)	C5NN7213A 2600, 3600, 3900, 4100, 4600, 2310, 2610, 2810, 2910, 3610, 3910, 4110, 4610, 3230, 3430, 3930, 4130, Ind. 230A, 231, 233, 234, 250C, 260C, 333, 334, 335, 340, 340A, 340B, 345D, 420, 445, 445D, 515, 530A, 531, 532, 535, 540, 540A, 540B, 545, 545A, 545D
7	F61786	Knob - Gearshift Lever - High/Low	E440GB9 2600, 3600, 3900, 4100, 4600, 2310, 2610, 2810, 2910, 3610, 3910, 4110, 4610, 3230, 3430, 3930, 4130, Ind. 230A, 231, 233, 234, 250C, 260C, 333, 334, 335, 340, 340A, 340B, 345D, 420, 445, 445D, 515, 530A, 531, 532, 535, 540, 540A, 540B, 545, 545A, 545D
8	F66153	Lever - Main	C5NN7210G (5000 65-3/68)
9	F66148	Lever - High/Low	C7NN7210AC (2000, 3000, 4000, 5000 2/69->), 2600, 3600, 3900, 4100, 4600, 2310, 2610, 2810, 2910, 3610, 3910, 4110, 4610, 3230, 3430, 3930, 4130, 4630, 4830, 5030, Ind. 230A, 231, 233, 234, 250C, 260C, 333, 334, 335, 340, 3400, 340A, 340B, 345D, 3500, 3550, 420, 4400, 4500, 445, 445A, 445D, 515, 530A, 531, 532, 535, 540, 540A, 540B, 545, 545A, 545D
9	F66155	Lever - High/Low	C7NN7210AB 5000, 7000, 5600, 6600, 7600, 5900, 5610, 5610S, 6610, 6610S, 6810, 7610, 7610A, 7810, 8010
10	F61785	Boot - Lever - Non-original	
11	F60973	Switch - Safety Start w/ Push-on Terminals	C7NN7A247A (2000, 3000, 4000, 5000 10/66->), 7000, 2600, 3600, 3900, 4100, 4600, 5600, 5900, 6600, 6700, 7600, 7700, 2310, 2610, 2810, 2910, 3610, 3910, 4110, 4610, 5610, 5610S, 6610, 6610S, 6700, 6710, 6810, 6710, 7610S, 7710, 7810S, 3230, 3430, 3930, 4130, 4630, 4830, 5030, 5640, 6640, 7740, Ind. 230A, 231, 233, 234, 250C, 260C, 2110LCG, 333, 334, 335, 340, 3400, 340A, 340B, 345D, 3500, 3550, 4110LCG, 420, 4400, 4500, 445, 445A, 445D, 515, 530A, 531, 532, 535, 540, 540A, 540B, 545, 545A, 545D

We have attempted to insure the accuracy of the information listed and reserve the right for type error.

Some part numbers and manufactures' names are used strictly for reference purpose only  
Any prices listed are subject to change without notice and are in US dollars Not all items are stocking items

www.ForMenWhoGrow.com - Contact: RickStair@gmail.com

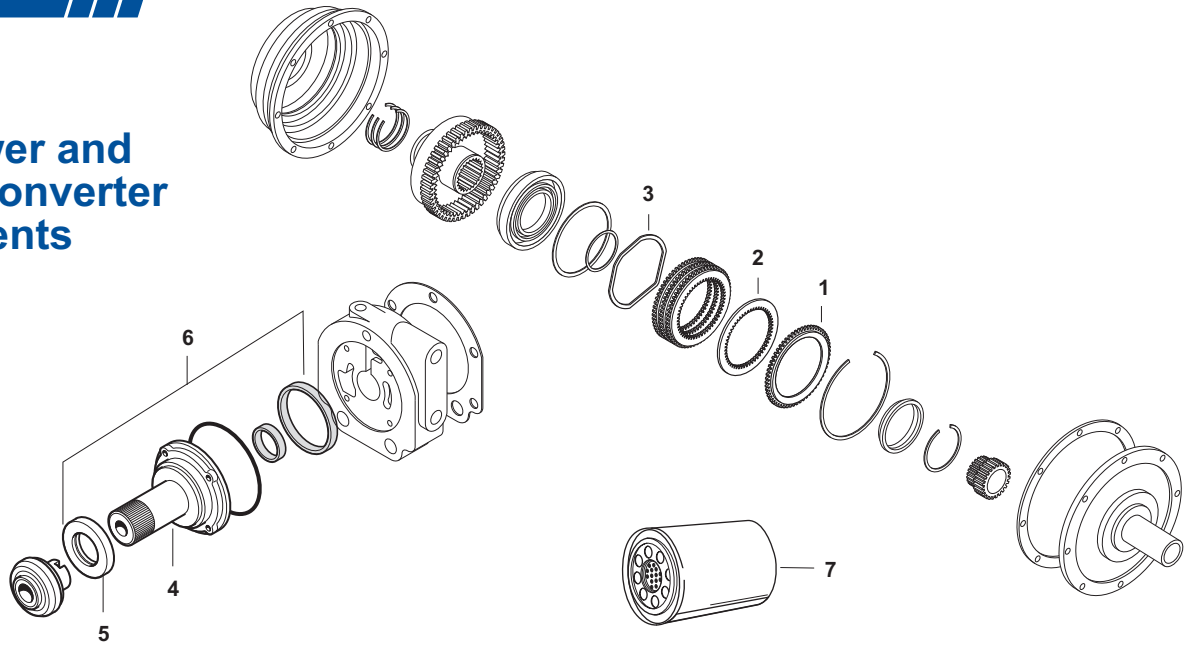
## Gear Shift Components (8 Speed)

OUR No.	DESCRIPTION	EQUIVALENT	TRACTOR MODEL
12	F66054	Fork -High/Low	C7NN7231B 5000, 7000, 5600, 5900, 6600, 6700, 7600, 7700, 5610, 5610S, 6610, 6610S, 6710, 7610, 7610S, 7710, 7810, 8010, 5640, 6640, 7740, 7840, TS90, TS100, TS110
13	F65339	Fork -2nd/6th/Reverse	C5NN7231B 5000, 7000, 5600, 6600, 6700, 7600, 7700, 5900, 5610, 5610S, 6610, 6610S, 6710, 7610, 7610S, 7710, 7810, 5640, 6640, 7740, TS90, TS100, TS110
14	F66321	Gasket - Shift Cover	82004680 E6NN7223AA E8NN7223AA 2000, 3000, 4000, 2600, 3600, 3900, 4100, 4600, 2310, 2610, 2810, 2910, 3610, 3910, 4110, 4610, 3230, 3430, 3930, 4130, 4630, 4830, 5030, Ind. 230A, 231, 233, 234, 250C, 260C, 2110LCG, 333, 334, 335, 340, 3400, 340A, 340B, 345D, 3500, 3550, 4110LCG, 420, 4400, 4500, 445, 445A, 445D, 515, 530A, 531, 532, 535, 540, 540A, 540B, 545, 545A, 545D
14	F66154	Gasket	D2NN7223A E5NN7223AA 5000, 7000, 5600, 5900, 6600, 6700, 7600, 7700, 5610, 5610S, 6610, 6610S, 6710, 7610, 7610S, 7710, 7740, 7840, TS90, TS100, TS110
15	F66144	Rail - 4th/8th	C5NN7240L 2000, 3000, 4000, 2600, 3600, 3900, 4100, 4600, 2310, 2610, 2810, 2910, 3610, 3910, 4110, 4610, 3230, 3430, 3930, 4130, 4630, 4830, 5030, Ind. 230A, 231, 233, 234, 250C, 260C, 2110LCG, 333, 334, 335, 340, 3400, 340A, 340B, 345D, 3500, 3550, 4110LCG, 420, 4400, 4500, 445, 445A, 445D, 515, 530A, 531, 532, 535, 540, 540A, 540B, 545, 545A, 545D
16	F66143	Rail - 2nd/6th/Reverse	C5NN7240B 2000, 3000, 4000, 2600, 3600, 3900, 4100, 4600, 2310, 2610, 2810, 2910, 3610, 3910, 4110, 4610, 3230, 3430, 3930, 4130, 4630, 4830, 5030, Ind. 230A, 231, 233, 234, 250C, 260C, 2110LCG, 333, 334, 335, 340, 3400, 340A, 340B, 345D, 3500, 3550, 4110LCG, 420, 4400, 4500, 445, 445A, 445D, 515, 530A, 531, 532, 535, 540, 540A, 540B, 545, 545A, 545D
17	F66145	Rail - 1st/3rd/5th/7th	C5NN7240A 2000, 3000, 4000, 2600, 3600, 3900, 4100, 4600, 2310, 2610, 2810, 2910, 3610, 3910, 4110, 4610, 3230, 3430, 3930, 4130, 4630, 4830, 5030, Ind. 230A, 231, 233, 234, 250C, 260C, 2110LCG, 333, 334, 335, 340, 3400, 340A, 340B, 345D, 3500, 3550, 4110LCG, 420, 4400, 4500, 445, 445A, 445D, 515, 530A, 531, 532, 535, 540, 540A, 540B, 545, 545A, 545D
18	F66142	Rail - High/Low	C5NN7240AD 2000, 3000, 4000, 2600, 3600, 3900, 4100, 4600, 2310, 2610, 2810, 2910, 3610, 3910, 4110, 4610, 3230, 3430, 3930, 4130, 4630, 4830, 5030, Ind. 230A, 231, 233, 234, 250C, 260C, 2110LCG, 333, 334, 335, 340, 3400, 340A, 340B, 345D, 3500, 3550, 4110LCG, 420, 4400, 4500, 445, 445A, 445D, 515, 530A, 531, 532, 535, 540, 540A, 540B, 545D

We have attempted to insure the accuracy of the information listed and reserve the right for type error.

Some part numbers and manufactures' names are used strictly for reference purpose only  
Any prices listed are subject to change without notice and are in US dollars Not all items are stocking items

## Dual Power and Torque Converter Components

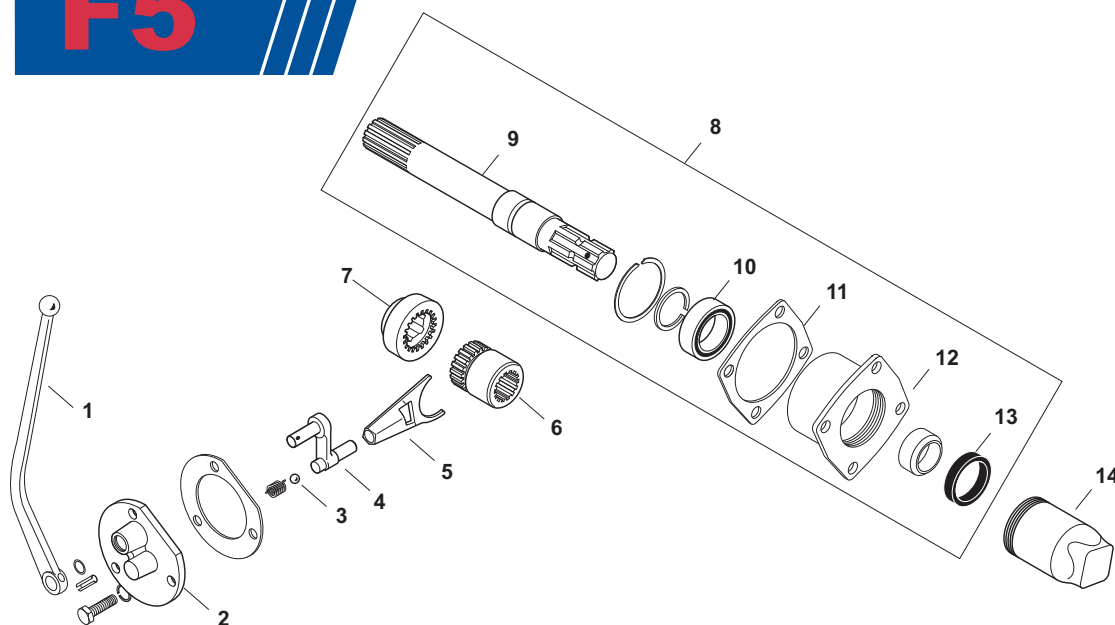


OUR No.	DESCRIPTION	EQUIVALENT	TRACTOR MODEL
1	F65362 Plate - External Spline	81808607 PBB77573A	(5000, 6/73->), 5600, 6600, 6700, (7000, 6/73->), 7600, 7700, 8000, 8600, 8700, 9000, 9600, 9700, TW10, TW20, TW30
2	F65366 Plate - Internal Spline	83917372 D8NNP743JA	(5000, 6/73->), 5600, 6600, 6700, (7000, 6/73->), 7600, 7700, 8000, 8600, 8700, 9000, 9600, 9700, TW10, TW20, TW30
3	F66299 Spring	81833907 D3NNP733A	(5000, 6/73->), 5600, 6600, 6700, (7000, 6/73->), 7600, 7700, 8000, 8600, 8700, 9000, 9600, 9700, TW10, TW20, TW30
4	F41613 Pump -Torque Converter		Tractors w/ Torque Converter
5	F41541 Seal -Torque Converter		Tractors w/ Torque Converter
6	F41727 Repair Kit - Pump Contains: Seal, 2 Bushings, 1 sq cut O-Ring Seal		Tractors w/ Torque Converter
7	F76528 Oil Filter - Torque Converter Trans	86546606 C5NN6714B	340, 340A, 340B, 3500, 3550, 420, 4400, 4500, 445, 445A, 450, 455, 535, 540, 540A, 540B, 545, 545A, 5550, 555, 555A, 555B, 655, 655A

We have attempted to insure the accuracy of the information listed and reserve the right for type error.

Some part numbers and manufactures' names are used strictly for reference purpose only  
Any prices listed are subject to change without notice and are in US dollars Not all items are stocking items

www.ForMenWhoGrow.com - Contact: RickStair@gmail.com



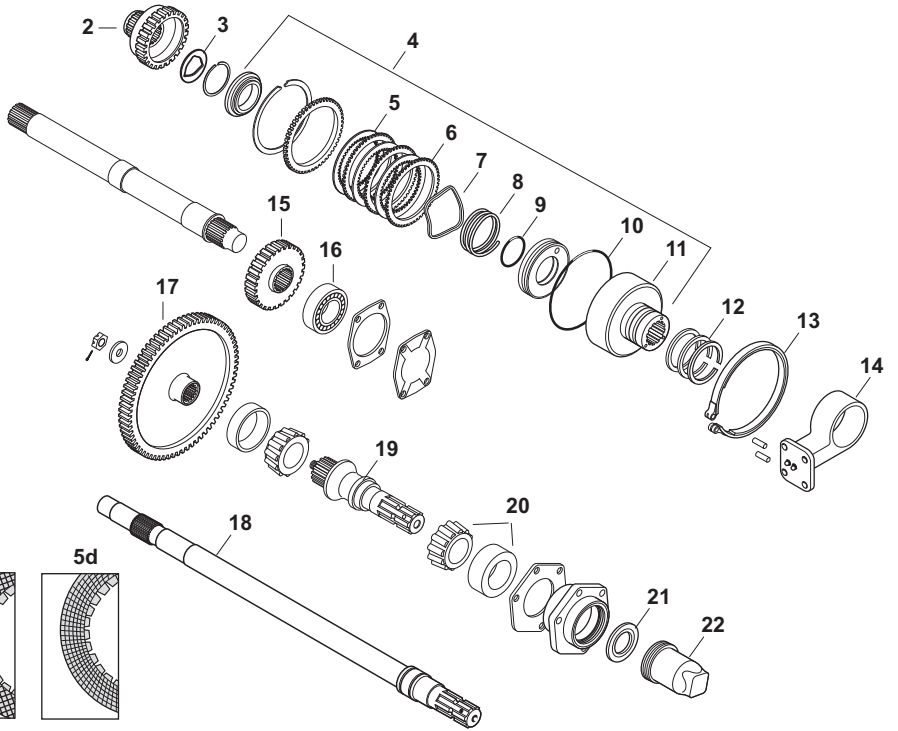
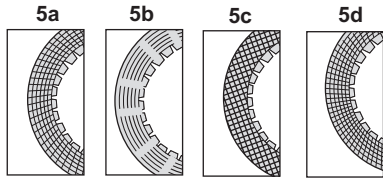
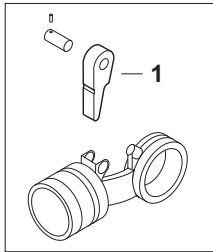
## Single Speed Transmission & Live PTO Components (6 & 8 Speed, Manual Reverse)

OUR No.	DESCRIPTION	EQUIVALENT	TRACTOR MODEL
1	F66572 Lever - PTO Shifter	C5NN723A	2000, 3000, 2600, 3600, 2310, 2610, 3610, Ind. 231, 233, 234, 2110LCG, 333, 334, 335, 340, 340A, 340B, 3400, 3500, 3550, 420, 4400, 4500, 445A, 515, 530A, 531, 540A, 540B, 545A
2*	F60403 Plate - PTO Shifter	C7NN721A	Same as Above
3	F65789 Ball (3/8")	353075S	Same as Above
4*	F60405 Arm - PTO Shifter	C7NNN740A	Same as Above
5	F60404 Fork - PTO Shifter	C5NN721A	Same as Above
6	F66251 Coupler	C5NN717A	Same as Above
7	F66052 Sleeve	C5NNN705A	Same as Above
8	F61695 PTO Shaft Assembly - less Gasket		2000, 3000, 2600, 3600, (2310, 2610, 3610 ->4/83), Ind. 231, 233, (234 ->4/83), 2110LCG, 333, (334 ->4/83), 335, 3400, 3500, 4110LCG, (531 ->4/83)
9	F60409 Shaft w/ Bushing	E5NNA728AA	Same as Above
10	F18057 Bearing (35 x 72 x 17 mm) (#6207)	E75GE9 C5NN7118A	Same as Above
11	F61322 Gasket	C5NN747A	2000, 3000, 2600, 3600, 2310, 2610, 3610, Ind. 231, 233, 234, 2110LCG, 333, 334, 335, 340, 340A, 340B, 3400, 3500, 3550, 420, 4400, 4500, 445A, 515, 530A, 531, 540A, 540B, 545A
12	F60407 Housing - PTO	E2NN733AA	2000, 3000, 2600, 3600, (2310, 2610, 3610 ->4/83), Ind. 231, 233, (234 ->4/83), 2110LCG, 333, (334 ->4/83), 335, 3400, 3500, 4110LCG, (531 ->4/83)
13	F65359 Seal - PTO Shaft	D9NN703BB	2000, 3000, 2600, 3600, 2310, 2610, 3610, Ind. 231, 233, 234, 2110LCG, 333, 334, 335, 340, 340A, 340B, 3400, 3500, 3550, 420, 4400, 4500, 445A, 515, 530A, 531, 540A, 540B, 545A
14	F65894 Cap - PTO	310088F	2000, 3000, 2600, 3600, 2310, 2610, 3610, Ind. 231, 233, 234, 2110LCG, 333, 334, 335, 340, 340A, 340B, 3400, 3500, 3550, 420, 4400, 4500, 445A, 515, 530A, 531, 540A, 540B, 545A
			*NOTE: If replacing old style plate or arm (detent ball and spring located in arm) with new style (with detent ball and spring located in plate), both parts must be replaced as set.





# Single Speed Independent PTO Components



OUR No.	DESCRIPTION	EQUIVALENT	TRACTOR MODEL
1	<b>F65368</b> Brake Arm	C9NNN747A	4000, 3900, 4100, 4600, 2810, 2910, 3910, 4110, 4610, 3230, 3430, 3930, 4130, 4630, 4830, 5030, Ind. 250C, 260C, 335, 340, 340A, 340B, 345C, 345D, 3550, 420, 4400, 4500, 445, 445A, 445C, 445D, 455C, 455D, 515, 531, 532, 535, 540, 540A, 540B, 545, 545A, 545C, 545D
1	<b>F65942</b> Brake Arm	C9NNN747B	5000, 7000
2	<b>F65969</b> Hub - PTO Clutch (25/52 Teeth) Outer Splines 33mm Long	F1NNN750AA E0NNN750AA	5000, 7000, 5600, 5900, 6600, 6700, 7600, 7700, 5610, 6610, 6710, 6810, 7610, 7710
3	<b>F73667</b> Thrust Washer	C5NNN783A	5000, 7000, 5600, 5900, 6600, 6700, 7600, 7700, 5610, 5610S, 6610, 6610S, 6810, 7610, 7610S, 7710, 5640, 6640, 7740
4	<b>F66261</b> Clutch Assembly - 3 Plate	D3NNN751D	5000, 7000
4	<b>F73595</b> Clutch Assembly - 4 Plate	D5NNN751A	5000*, 7000*, 5600, 5900, 6600, 6700, 7600, 7700, *NOTE When replacing 3 Plate Clutch Assembly with 4 Plate Clutch Assembly, Hub F65351 must also be used.
4	<b>F66262</b> Clutch Assembly - 5 Plate	E0NNN751BB E0NNN751BA	5610, 5610S, 6610, 6610S, 6710, 6810, 7610, 7610S, 7710, (5640, 6640, 7740 Mechanically Applied)
5a	<b>F65363</b> Plate - Internal Spline (5 1/4" Dia x .079" Thick)	C5NNP743B	(4000 4/68->), 3900, 4100, 4600, Ind. (340, 340A ->12/81), (3550 4/68->), 420, (4400, 4500 4/68->), (445 ->12/81), 515, 531, 532, 535, (540, 540A, 545 ->12/81)
5b	<b>F65365</b> Plate - Internal Spline (5 1/4" Dia x .0815" Thick)	E0NNP743A	2810, 2910, 3910, 4110, 4610, 3230, 3430, 3930, 4130, 4630, 4830, 5030, Ind. 250C, 260C, 335, (340A, 340B 12/81->), 345C, 345D, (445, 445A, 445C 12/81->), 445D, 455C, 455D, (540, 540A, 540B 12/81->), (545, 545A 12/81->), 545C, 545D
5c	<b>F65366</b> Plate - Internal Spline (5 13/16" Dia x .091" Thick)	D8NNP743JA D1NNP743A	(5000 US only), 7000
5d	<b>F65364</b> Plate - Internal Spline (5 13/16" Dia x .091" thick)	C9NNP743D D3NNP743A	(5000 UK only), 5600, 6600, 6700, 7600, 7700, 5610, 5610S, 6610, 6610S, 6710, 6810, 7610, 7610S, 7710, (5640, 6640, 7740 Mechanically Applied)
6	<b>F65361</b> Plate - External Spline	C8AP7B442A	(4000 4/68->), 3900, 4100, 4600, 2810, 2910, 3910, 4110, 4610, 3230, 3430, 3930, 4630, 4830, 5030, Ind. 250C, 260C, (3550 4/68->), 335, 340, 340A, 340B, 345C, 345D, 420, (4400, 4500 4/68->), 445, 445A, 445C, 445D, 455C, 455D, 515, 531, 532, 535, 540, 540A, 540B, 545, 545A, 545C, 545D
6	<b>F65362</b> Plate - External Spline	PBB77573AA	5000, 7000, 5600, 5900, 6600, 6700, 7600, 7700, 5610, 5610S, 6610, 6610S, 6710, 6810, 7610, 7610S, 7710, 5640, 6640, 7740

We have attempted to insure the accuracy of the information listed and reserve the right for type error.

Some part numbers and manufactures' names are used strictly for reference purpose only Any prices listed are subject to change without notice and are in US dollars Not all items are stocking items

## Single Speed Independent PTO Components

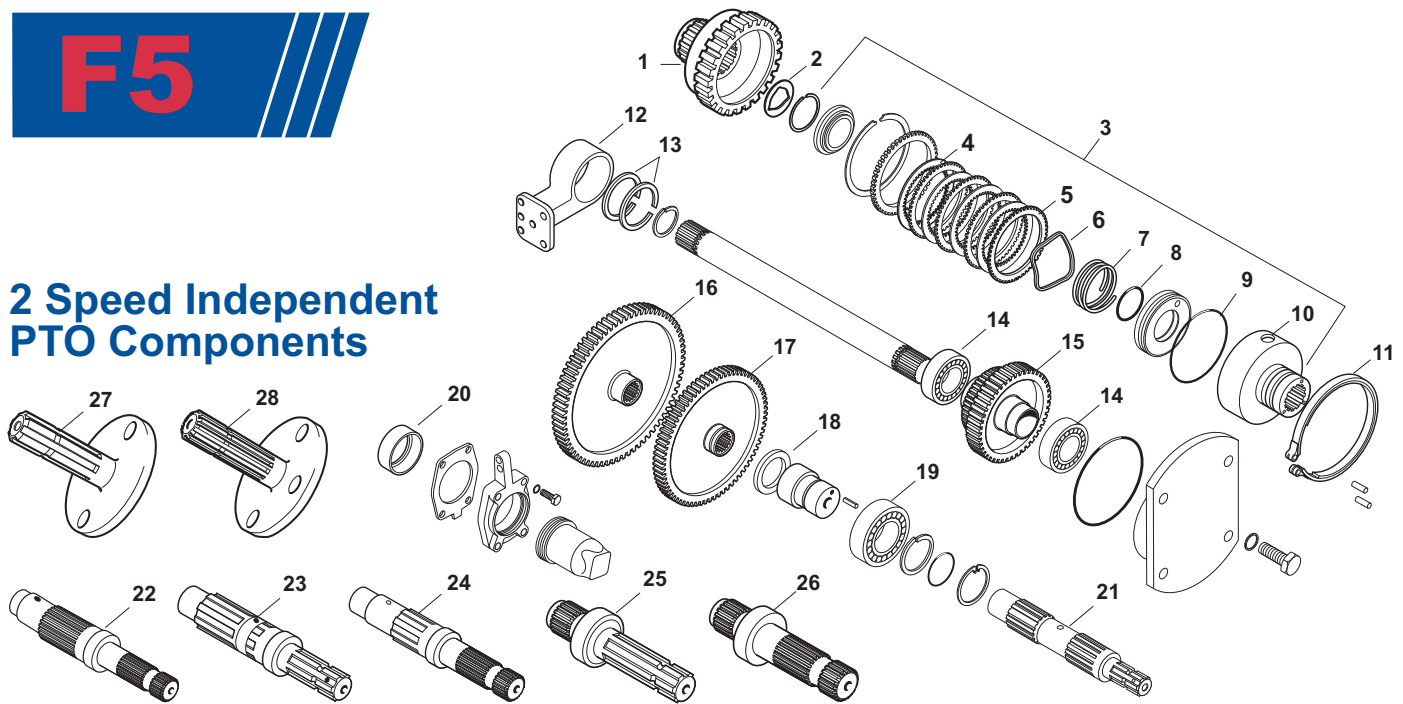
OUR No.	DESCRIPTION	EQUIVALENT	TRACTOR MODEL
7	F66299	Spring - Wavy (.121" Thick)	D3NNP733A (5000, 7000 w/ 3 Plate Clutch), 5600, 5900, 6600, 6700, 7600, 7700, 5610, 5610S, 6610, 6610S, 6710, 7610, 7610S, 7710, (5640, 6640, 7740 Mechanically Applied)
8	F66300	Spring - Piston Return	D7NNC732A C0NN7C151A 5000, 7000, 5600, 5900, 6600, 6700, 7600, 7700, 5610, 5610S, 6610, 6610S, 6710, 6810, 7610, 7610S, 7710, 5640, 6640, 7740
9	F66304	Seal - Piston, Inner	373227S Same as Above
10	F66305	Seal - Piston, Outer	C0NN7A548A Same as Above
11	F60408	Clutch Housing - Bare (4 Plate)	D5NNN707A 5000*, 7000*, 5600, 5900, 6600, 6700, 7600, 7700 *NOTE Can replace 3-Plate Clutch Housing, but Pressure Plate E3NN7R007AA must also be used. Not supplied by OUR.
12	F65367	Sealing Ring	313283 4000, 5000, 7000, 3900, 4100, 4600, 5600, 5900, 6600, 6700, 7600, 7700, 2810, 2910, 3910, 4110, 4610, 5610, 5610S, 6610, 6610S, 6710, 7610, 7610S, 7710, 3230, 3430, 3930, 4130, 4630, 4830, 5030, 5640, 6640, 7740, Ind. 250C, 260C, 335, 3550, 340, 340A, 340B, 345C, 345D, 420, 4400, 4500, 445, 445A, 445C, 445D, 445C, 455D, 515, 531, 532, 535, 540, 540A, 540B, 545, 545A, 545C, 545D
13	F65369	Brake Band	E0NNB726AB (5000, 7000 6/73->), 5600, 5900, 6600, 6700, 7600, 7700, 5610, 5610S, 6610, 6610S, 6810, 7610, 7610S, 7710, 5640, 6640, 7740
14	F65766	Support w/ Oil Relief Hole	E7NNN776C (5000, 7000 65-5/73)
14	F65767	Support	D2NNN776A (5000, 7000 6/73->), 5600, 5900, 6600, 6700, 7600, 7700, 5610, 5610S, 6610, 6610S, 6710, 6810, 7610, 7610S, 7710, (5640, 6640, 7740 Mechanically Applied), TS90, TS100
15	F66214	Gear - PTO Drive (23 Teeth)	D1NN745B C5NN745B Same a Above
16	F18106	Bearing 30 x 72 x 19 MM (#6306)	46805 D0NNN755B C5NNN755A 5000, 7000, 5600, 5900, 6600, 6700, 7600, 7700, (5610, 6610, 6710, 7610, 7710 ->9/89)
17	F65350	Gear - PTO Driven (81 Teeth)	C5NNA726A 5000, 7000, 5600, 5900, 6600, 6700, 7600, 7700, (5610, 6610, 6710, 7610, 7710 ->9/89), (5610S, 6610S, 7710S 1/94-12/94)
18	F17461	PTO Output Shaft	D3NN710D 4000, 3900, 4100, 4600, 3550, (340 ->9/80), 345C, 345D, 420, 4400, 4500, (445 ->9/80), 445C, 445D, 515, (531 ->9/80), 532, 535, (540 ->9/80), (545 ->9/80), 545C, 545D
19	F16038	PTO Output Shaft	D2NNN752C (5000, 7000 ->5/73)
19	F16039	PTO Output Shaft	E4NNN752AA (5000, 7000 6/73->), 5600, 6600, 6700, 7600, 7700, (5610, 6610, 6710, 6810, 7610, 7710 ->9/89), (5610S, 6610S, 7610S 1/94-12/94)
20	F04235	Bearing & Cup - Output Shaft - Rear - Cone/Roller #LM501349 Cup #LM501310	WAA4221A WAA4222A 5000, 7000, 5600, 5900, 6600, 6700, 7600, 7700, 5610, 5610S, 6610, 6610S, 6710, 6810, 7610, 7610S
21	F65359	Seal - Output Shaft (2 7/16" x 1 5/8" x 5/8")	D9NN703BB 4000, 3900, 4100, 4600, 2810, 2910, 3910, 4110, 4610, 3230, 3430, 3930, 4130, 4630, 4830, 5030, Ind. 250C, 260C, 335, 340, 340A, 340B, 345C, 345D, 3550, 420, 445, 445A, 445C, 445D, 4400, 4500, 455C, 455D, 515, 531, 532, 535, 540, 540A, 540B, 545, 545A, 545C, 545D
21	F65360	Seal - Output Shaft (2 1/2" x 1 1/2" x 1/2")	C5NN710B 5000, 7000, 5600, 5900, 6600, 6700, 7600, 7700, (5610, 6610, 6710, 6810, 7610, 7710 ->9/89)
21	F65960	Seal - Output Shaft (3 7/5" x 2 7/8" x 9/16")	D9NN710BC (5610, 5610S, 6610, 6610S, 6710, 6810, 7610, 7610S, 7710 10/89->), 5640, 6640, 7740
22	F66158	Cap	C5NN726A 5000, 7000, 5600, 5900, 6600, 6700, 7600, 7700, 5610, (5610, 6610, 6710, 6810, 7610, 7710 ->9/89), 5610S, 6610S, 7710S

We have attempted to insure the accuracy of the information listed and reserve the right for type error.

Some part numbers and manufactures' names are used strictly for reference purpose only  
Any prices listed are subject to change without notice and are in US dollars. Not all items are stocking items

www.ForMenWhoGrow.com - Contact: RickStair@gmail.com

## 2 Speed Independent PTO Components



OUR No.	DESCRIPTION	EQUIVALENT	TRACTOR MODEL
1	F65969 Hub - PTO Clutch	E0NNN750AA	5000, 7000, 5600, 5900, 6600, 6700, 7600, 7700, 5610, 6610, 6710, 7610, 7710, 7810, 7910, 8210
2	F73667 Thrust Washer	C5NNN783A	5000, 7000, 8000, 8600, 8700, 9000, 9600, 9700, 5600, 5900, 6600, 6700, 7600, 7700, 5610, 5610S, 6610, 6610S, 6710, 7610, 7610S, 7710, 8210, 8530, 8630, 8730, 8830, 5640, 6640, 7740, 8240, 8340, 8670, 8770, 8870, 8970, TS90, TS100, TS110, TW5, TW10, TW15, TW20, TW25, TW30, TW35
3	F73595 Clutch Assembly (4-Plate)	D5NNN751A	5000, 7000, 5600, 6600, 6700, 7600, 7700
3	F66262 Clutch Assembly (5-Plate)	E0NNN751BA	5900, 5610, 5610S, 6610, 6610S, 6710, 7610, 7610S, 7710, 7810, 7910, 8210, (5640, 6640, 7740 Mechanically Applied), (7840, 8240, 8340 Shiftable PTO), (TS90, TS100, TS110 Mechanically Applied)
4	F65364 Clutch Plate - Internal Spline	C9NNP743D D3NNP743A	5000, 7000, 5600, 6600, 6700, 7600, 7700, 5610, 5610S, 6610, 6610S, 6710, 6810, 7610, 7610S, 7710, 7810, 7910, 8010, 8210, (5640, 6640, 7740 Mechanically Applied), 7840, 8240, 8340, TS90, TS100, TS110
4	F65366 Clutch Plate - Internal Spline	D8NNP743JA D1NNP743A	8000, 8600, 8700, 9000, 9600, 9700, TW5, TW10, TW15, TW20, TW25, TW30, TW35, 8530, 8630, 8730, (5640, 6640, 7740 Electrically Applied), 7840, 8240, 8340
5	F65362 Plate - External Spline	PBB77573A	5000, 7000, 8000, 8600, 8700, 9000, 9600, 9700, 5600, 5900, 6600, 6700, 7600, 7700, 5610, 5610S, 6610, 6610S, 6710, 6810, 7610, 7610S, 7710, 7910, 8210, 5640, 6640, 7740, 7840, 8240, 8340, 8530, 8630, 8730, TS90, TS100, TS110, TW5, TW10, TW15, TW20, TW25
6	F66299 Spring - Wavy (.121" Thick)	D3NNP733A	8000, 8600, 8700, 9000, 9600, 9700, 5600, 5900, 6600, 6700, 7600, 7700, 5610, 5610S, 6610, 6610S, 6710, 6810, 7610, 7610S, 7710, 7810, 7810S, 7910, 8210, 5640, 6640, 7740, (7840, 8240, 8340 Mechanically Applied), 8530, 8630, 8730, TS90, TS100, TS110, TW5, TW10, TW15, TW20, TW25, TW30, TW35, 7840, 8240, 8340
7	F66300 Spring - Piston Return	D7NNC732A CONN7C151A	5000, 7000, 8000, 8600, 8700, 9000, 9600, 9700, 5600, 5900, 6600, 6700, 7600, 7700, 5610, 5610S, 6610, 6610S, 6710, 6810, 7610, 7710, 7810, 7810S, 7910, 8010, 8210, 8530, 8630, 8730, 8830, 5640, 6640, 7740, 7840, 8240, 8340, TS90, TS100, TS110, TW5, TW10, TW15, TW20, TW25, TW30, TW35
8	F66304 Seal - Piston - Inner	373227S	Same as Above
9	F66305 Seal - Piston - Outer	C0NN7A548A	Same as Above
10	F60408 Clutch Housing - Bare (4-Plate)	D5NNN707A	5000, 7000, 5600, 6600, 6700, 7700
11	F65369 Brake Band	E0NNB726AB E0NNB726AA C7NNB726D	5000, 7000, 8000, 8600, 8700, 9000, 9600, 9700, 5600, 5900, 6600, 6700, 7600, 7700, 5610, 5610S, 6610, 6610S, 6710, 7610, 7610S, 7710, 7810, 7910, 8010, 8210, 5640, 6640, 7740, 7840, 8240, 8340, 8670, 8770, 8870, 8970

We have attempted to insure the accuracy of the information listed and reserve the right for type error.

Some part numbers and manufactures' names are used strictly for reference purpose only  
Any prices listed are subject to change without notice and are in US dollars Not all items are stocking items



## 2 Speed Independent PTO Components

OUR No.	DESCRIPTION	EQUIVALENT	TRACTOR MODEL
12	F65767 Support	D2NNN776A	5000, 7000, 5600, 5900, 6600, 6700, 7600, 7700, 5610, 5610S, 6610, 6610S, 6710, 6810, 7610, 7610S, 7710, 7810, 7910, 8010, 8210, (TS90, TS100, TS110 Mechanically Applied)
13	F65367 Sealing Ring	313283	
14	F04235 Bearing & Cup - Output Shaft Front - Cone/Roller- LM501349 Cup-LM501310	WAA4221A WAA4222A WAA4220A	5900, 5610, 5610S, 6610, 6610S, 6710, 7610, 7610S, 7710, 7810, 7910, 8210 5640, 6640, 7740, 7840, 8240, 8340
15	F65962 Drive Gear (20/41 Teeth)	E0NN745AA	5900, 5610, 5610S, 6610, 6610S, 6710, 6810, 7610, 7710, 7810, 7810S, 7910, 7910, 8010, 8210, (5640, 6640, 7740, 7840, 8240, 8340, TS90, TS100, TS110 Non-Shiftable)
16	F65967 Gear - 540 rpm (70 Teeth)	E0NNA726AD	5900, 5610, 5610S, 6610, 6610S, 6710, 6810, 7610, 7610S, 7710, 7810, 7810S, 7910, 8010, 8210, (5640, 6640, 7740, 7840, 8240, 8340 Non-Shiftable), TS90, TS100, TS110
17	F65963 Gear - 1000 rpm (84 Teeth)	E0NNA726BA	Same as Above
18	F65959 Sleeve - Output Shaft	D8NNB733AC	5900, 5610, 5610S, 6610, 6610S, 6710, 6810, 7610, 7610S, 7710, 7810, 7810S, 7910, 8010, 8210, 8530, 8630, 8730, 8830, 5640, 6640, 7740, 7840, 8240, 8340, TS90, TS100, TS110, TW5, TW10, TW15, TW20, TW25, TW30, TW35
19	F18013 Bearing - Output Shaft - Rear (65 x 100 x 18 mm) #6013	D2NNB745A C7NNB745A	5000, 7000, 8000, 8600, 8700, 9000, 9600, 9700, 5600, 5900, 6600, 6700, 7600, 7700, 5610, 5610S, 6610, 6610S, 6710, 6810, 7610, 7610S, 7710, 7810, 7810S, 7910, 8010, 8210, 8530, 8630, 8730, 8830, 5640, 6640, 7740, 7840, 8240, 8340, TS90, TS100, TS110, TW5, TW10, TW15, TW20, TW25, TW30, TW35
20	F66314 Seal - Output Shaft (3.75" x 2.85" x .375") Check thickness for proper fit	D9NNN710BB	5000, 7000, 8000, 8600, 8700, 9000, 9600, 9700, 5600, 5900, 6600, 6700, 7600, 7700, 5610, 6610, 6710, 6810, 7610, 7710, 7810, 7910, 8010, 8210, 8530, 8630, 8730, 8830, TW5, TW10, TW15, TW20, TW25, TW30, TW35
20	F65960 Seal - Output Shaft (3.75" x 2.85" x .56")	9823545 D9NNN710BC	5600, 5900, 6600, 6700, 7600, 7700, (5610 10/89->), 5610S, (6610 10/89->), 6610S, 6710, (6810, 7610, 7610S 10/89->), 7710, 7810, 7810S, 7910, 8210, 8530, 8630, 8730, 8830, 5640, 6640, 7740, 7840, 8240, 8340, 8670, 8770, 8870, 8970, TS90, TS100, TS110, TS90, TS100, TS110, TW5, TW10, TW15, TW20, TW25, TW30, TW35
21	F15949 Output Shaft - PTO - 540 rpm (1 3/8" - 6 Spline) (11.47" Long)	D2NNB728A	5000, 7000, 8000, 8600, 8700, 9000, 9600, 9700, 5600, 6600, 6700, 7600, 7700
22	F15950 Output Shaft - PTO - 1000 rpm (1 3/8" - 21 Spline) (11.47" Long)	D2NNB728B	Same as Above
23	F16300 Output Shaft - PTO - 540 rpm (1 3/8" - 6 Spline)	E6NNB728AA	5900, 5610, 5610S, 6610, 6610S, 6710, 6810, 7610, 7610S, 7710, 7810, 7810S, 7910, 8010, 8210, (5640, 6640, 7740, 7840, 8240, 8340 Non-Shiftable), 8670, TS90, TS100, TS110, TW5, TW10, TW15, TW20, TW25
24	F16218 Output Shaft - PTO - 1000 rpm (1 3/8" - 21 Spline)	D8NNB728BC	Same as Above
25	F65895 Output Shaft - PTO - 540 rpm (1 3/8" - 6 Spline) (6.38" Long)	5171332 E7NNB728AA	6635, 7635, (5640, 6640, 7740, 8240, 8340 Shiftable)
26	F65966 Output Shaft - PTO - 1000 rpm (1 3/8" - 21 Spline) (6.38" Long)	5171356 E7NNB728BA	6635, 7635, (5640, 6640, 7740, 8240, 8340 Shiftable)
26	F16217 Output Shaft - PTO - 1000 rpm (1 3/4" - 20 Spline)	D8NNB728CC	8670, TW30, TW35
27	F17254 Output Shaft - 540 rpm (1.3/8" - 6 Spline)	5149243	4330 Vineyard, 4430 Orchard, 8160, 8260, 8360, 8560, TN65F, TN75F, TN90F
28	F17397 Output Shaft - 1000 rpm (1.3/8" - 21 Spline)	5149242	Models As Above

We have attempted to insure the accuracy of the information listed and reserve the right for type error.

Some part numbers and manufactures' names are used strictly for reference purpose only  
Any prices listed are subject to change without notice and are in US dollars. Not all items are stocking items

www.ForMenWhoGrow.com - Contact: RickStair@gmail.com