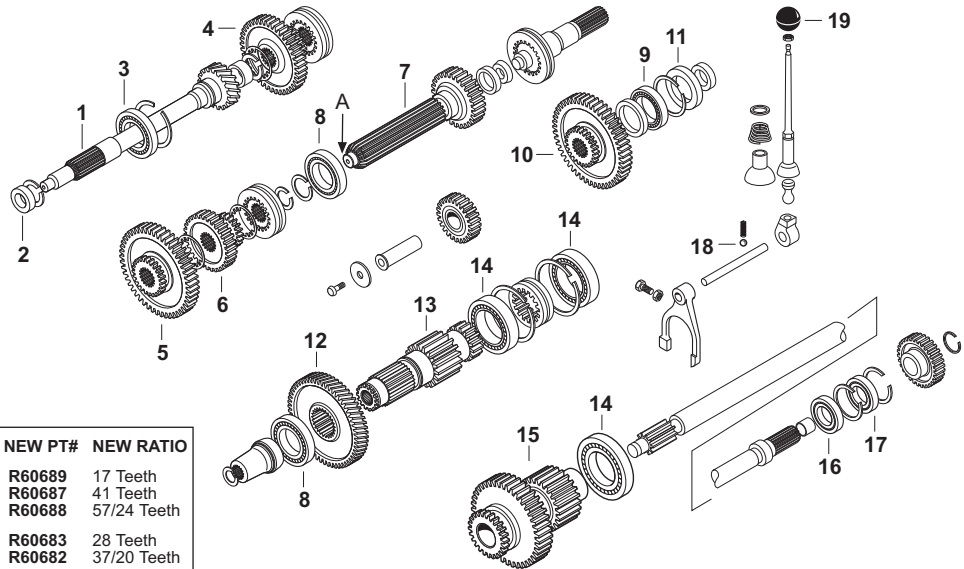


F5

Gearbox Components (6 Speed - Dexta)

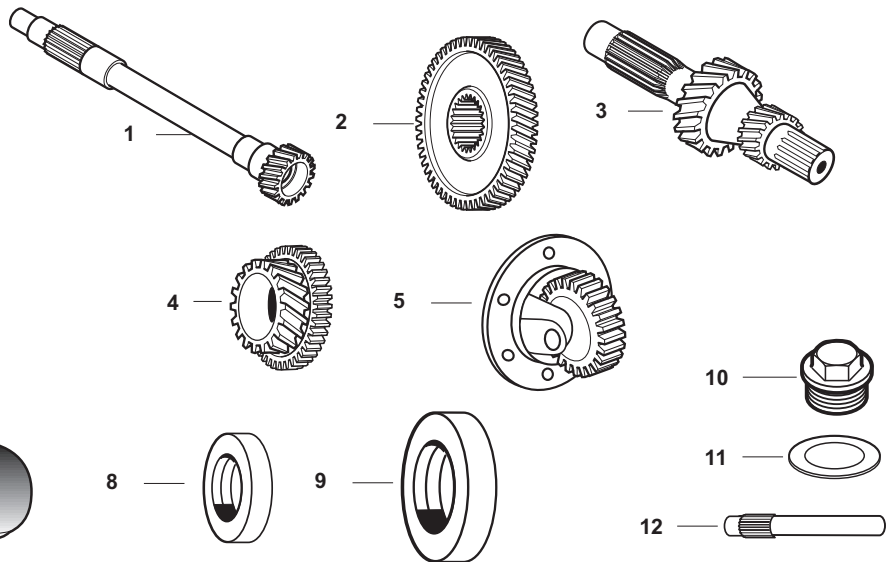


SET	DESCRIPTION	OLD RATIO	NEW PT#	NEW RATIO
1, 4, 12	1 - Main Drive Shaft 4 - 2nd/5th Gear 12 - Countershaft Gear	19 Teeth 37 Teeth 55/28 Teeth	R60689 R60687 R60688	17 Teeth 41 Teeth 57/24 Teeth
7, 15	7 - Main Shaft 15 - 2nd Countershaft	29 Teeth 36/20 Teeth	R60683 R60682	28 Teeth 37/20 Teeth

* **Gear Replacement:** If replacing gears on tractors before SN 957E63953, August 1960, the entire "New Ratio Set" must be used. The chart shown identifies the available parts that are required to replace the gears in question.

Our #	DESCRIPTION	EQUIVALENT	TRACTOR MODEL
1*	R60689 Main Input Shaft (17 Teeth - Later Gear Ratio)	957E7017C	Dexta, Super Dexta
2	R65674 Main Input Shaft Seal (51mm x 27.6mm x 12.4mm)	D9NN7R510BA	Dexta, Super Dexta
3	R18108 Main Input Shaft Bearing (#6308)	N115069A	Dexta, Super Dexta
4*	R60687 2nd & 5th Gear - 41 Teeth	957E7101B	Dexta, Super Dexta
5	R66050 1st & 3rd Gear - 49 Teeth	957E7100C	Dexta, Super Dexta
6	R66051 Reverse Idler Gear - 30 Teeth	957E7144C	Dexta, Super Dexta
7*	R60684 Mainshaft - 28 Teeth (A=1 1/8")	957E7061E	Dexta, Super Dexta
7*	R60683 Mainshaft - 28 Teeth (A=1")	960E7061A	Super Dexta (4/62-64)
8	R18060 Mainshaft Bearing (#6210)	N115069B	Dexta, Super Dexta
9	R18466 Bearing (#RL512)	E53GA9	Dexta, Super Dexta
10	R66053 Output Shaft Gear - Secondary	E49GA9	Dexta, Super Dexta
11	R65680 Output Shaft Seal (83mm x 46mm x 14.8mm)	E42GA9	Dexta, Super Dexta
12*	R60688 Countershaft Gear (24 T/57 T - 26 Internal Splines)	C5NN7113G	Dexta, Super Dexta
13	R66055 Main Countershaft	957E7111D	Dexta, Super Dexta
14	R18061 Bearing (#6211)	E1ADDN7025A	Dexta, Super Dexta
15*	R60682 Secondary Countershaft Gear - 37/20 Teeth	E418GA9	Dexta, Super Dexta
16	R65682 PTO Countershaft Seal (73.3mm x 41.9mm x 15.9mm)	E62GE9	Dexta, Super Dexta
17	R18057 Bearing (#6207)	E75GE9	Dexta, Super Dexta
18	R65789 3/8" Steel Ball	353075S	Dexta, Super Dexta
19	R00640 Gearstick Knob (5/16")	957E7213A C5NN7213A	Dexta, Super Dexta

F5

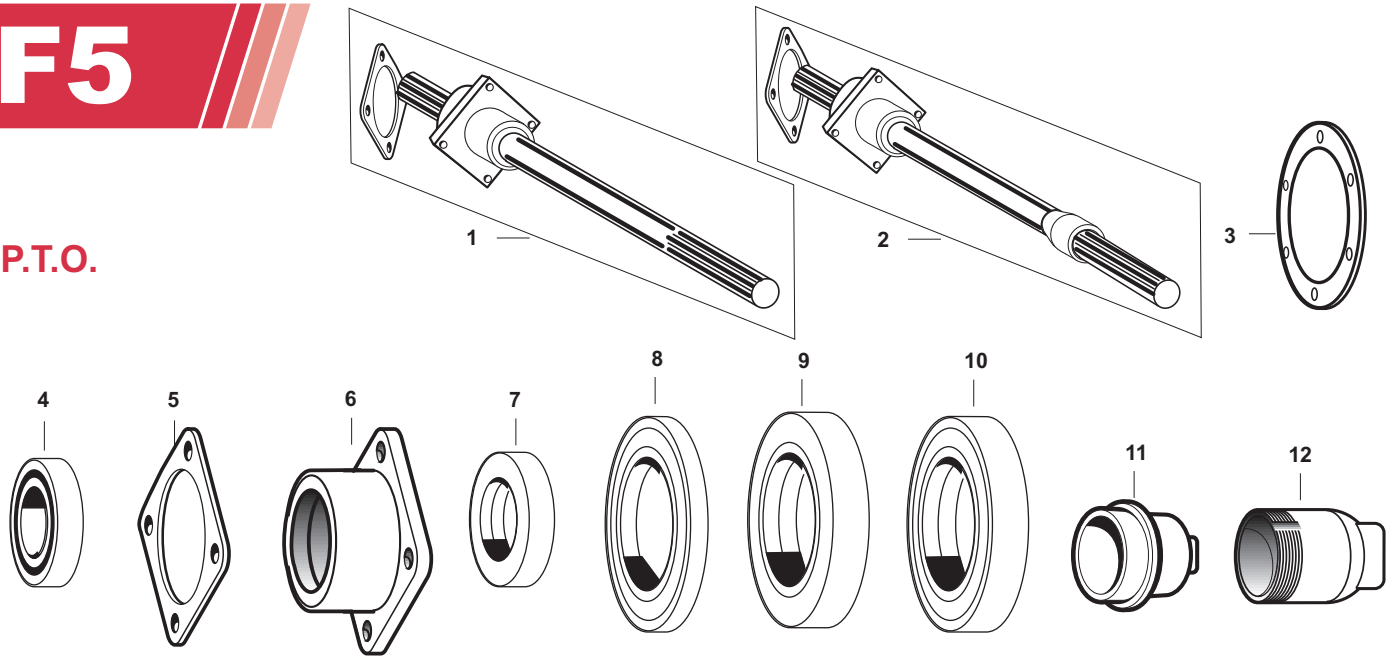


Transmission

Our #	DESCRIPTION	EQUIVALENT	TRACTOR MODEL
1	R60584 Input Shaft - 4 Speed (15 Spline)	311203	601, 701, 801, 901, 2000, 4000
2	R61597 2nd Gear - Main Shaft (4 Speed Trans)	B9NN7A381B	8N, NAA, Jubilee, 600, 700, 800, 900, 601, 701, 801, 901, 2000, 4000
3	R61117 Countershaft	8N7111	8N
4	R61123 2nd Gear - Countershaft (4 Speed Trans - 17 Tooth)	B9NN7114A	8N, NAA, Jubilee, 600, 700, 800, 900, 601, 701, 801, 901, 2000, 4000
5	R61575 Reverse Idler Assembly (5 Speed Trans)	NDA7723C NDA7140A NDA7141A	600, 700, 800, 900, 601, 701, 801, 901, 2000, 4000
6	R40821 Gear Shift Boot - 3 Speed	C5NN7277C	9N, 2N
7	R61594 Gear Shift Boot (4 Speed Trans)	C5NN7277C	8N, NAA, Jubilee, 600, 700, 800, 900, 601, 701, 801, 901, 2000, 4000
8	R65676 Input Shaft Seal (42mm x 33mm x 5.9mm)	E1ADDN7052A	Fordson Major, Power Major, Super Major
9	R65679 Output Shaft Seal (111.5mm x 82mm x 12.3mm)	E27N7082A	Fordson Major, Power Major, Super Major
10	R60340 Transmission Filler Plug, Drain Plug - 3 & 4 Speed Trans	9N7010	9N, 2N, 8N, NAA, Jubilee, 600, 700, 800, 900, 601, 701, 801, 901, 2000, 4000
11	R61323 Gasket - Filler & Drain Plug	8N7011	9N, 2N, 8N, NAA, Jubilee, 600, 700, 800, 900, 601, 701, 801, 901, 2000, 4000
12	R66422 Pin - Gear Shift	9N7221B	9N, 2N, 8N, NAA, Jubilee, 600, 700, 800, 900, 601, 701, 801, 901, 2000, 4000 (w/ 3 & 4 Speed Trans)

F5

P.T.O.



Our #	DESCRIPTION	EQUIVALENT	TRACTOR MODEL
1	R00280 PTO Shaft Assembly w/ Gasket (1 3/8" Conversion)	9N70038	9N, 2N, 8N
2	R60626 PTO Shaft Assembly w/ Gasket (1 3/8" - 30 3/16")	NAA70038	NAA, Jubilee
2	R60625 PTO Shaft Assembly w/ Gasket (1 3/8" - 32 11/16")	NCA70038	600, 700, 800, 900 (55-57)
3	R03352 Gasket - PTO Shifter Plate	9N4131	9N, 2N, 8N, NAA, Jubilee, 600, 700, 800, 900, 601, 701, 801, 901, 2000, 4000
4	R18056 Bearing (1 1/8" Shaft) Brg# 6206	9N715C	9N, 2N, 8N, NAA, Jubilee, 600, 700, 800, 900 (39-57)
4	R18057 Bearing (1 3/8" Shaft) (Single Speed Only) Brg# 6207	E75GE9	601, 701, 801, 901, 2000, 4000
5	R61322 Gasket	C5NN747A	9N, 2N, 8N, NAA, Jubilee, 600, 700, 800, 900, 601, 701, 801, 901, 2000, 4000
6	R61835 Housing	310089	601, 701, 801, 901, 2000, 4000 (Except Select-O-Speed)
7	R65359 Oil Seal - PTO Shaft	D9NN703BB	9N, 2N, (44→), 8N, NAA, Jubilee, 600, 700, 800, 900, 601, 701, 801, 901, 2000, 4000, (Except Select-O-Speed w/ 2 Speed PTO R00280, R60625, R60626)
7	R65671 PTO Shaft Seal	957E703A	Dexta, Super Dexta
8	R65707 PTO Output Shaft Seal - Std. PTO Single Lip Seal (2.125 x 3.5)	EIADKN7297B	Fordson Major, Power Major, Super Major
9	R65681 PTO Output Shaft Seal - Std. PTO Double Lip Seal (2.125" x 3.5")	EIADKN7297A	Fordson Major, Power Major, Super Major
10	R65670 Oil Seal - PTO Shaft Raised PTO	E27N7305A	Fordson Major, Power Major, Super Major
11	R41310 Cap - w/ 1 1/8" PTO Shaft Only	2N726	9N, 2N, 8N, NAA, 600, 700, 800, 900
12	R60456 Cap	310088	9N, 2N, 8N, NAA, Jubilee, 600, 700, 800, 900, 601, 701, 801, 901, 2000, 4000