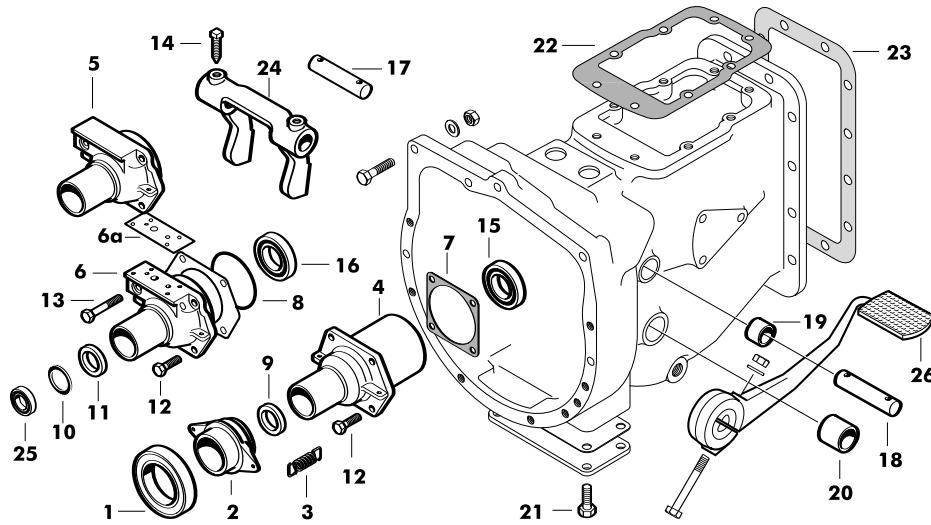


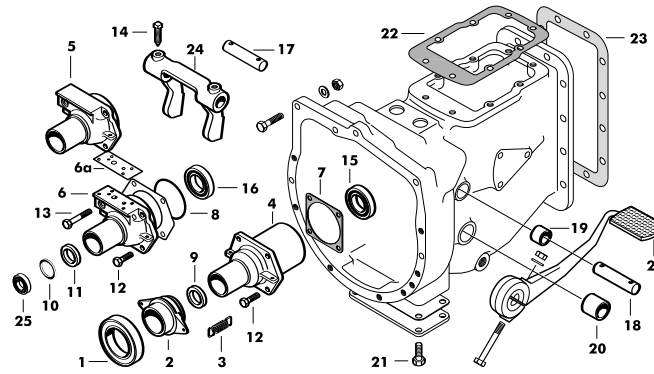
MF05

	Description	OEM Ref:	Applications
1	S.65334 Bearing - Clutch Release (Single Clutch) d Ø 52.30mm D Ø 85.60mm	4069, 501608	TEA20, TED20, TEF20
1	S.40735 Thrust Bearing - Clutch Release This is not a "constant running" bearing and the Clutch fingers should be set with a clearance to ensure fingers are clear of the release bearing when the pedal is released (For constant running option use S.73047).	892862M2	(35, 35X A3.152 Dual Clutch), 65, 135, 148, 152, 158, 165, 175, 178, 185, 188, 230, 240, 250, 253, 265, 275, 285, 290, 298, 340, 350, 355, 360, (365, 375, 390, 390T, 398, 399 Footstep Model), 550, 565, 575, 590, 595, 675, 690, 698, 698T, 699, 1080, 1200 Industrial 20C, 20D, 20F, 30B, 30D, 30E, 30H, 40B, 40E, 50, 50A, 50B, 50B MKII, 50C, 50D, 50E, 50E/EX, 50F 2620, 2640, 2645, 2680, 2685, 2720, 3050, 3060, 3065, 3070, 3080, 3085, 3090, 3095, 3610, 3630, 3635, 3645, 3650, 3655, 3660, 3670
1	S.19634 Thrust Bearing - Clutch Release	3386150M91, 3384863M93	35, 35X, (135 North America), 35 Petrol
1	S.43719 Bearing - Clutch Release	894303M1, 83130M1	
2	S.40737 Carrier - Clutch Release Bearing	183129M2	(FE 35 23C Single Clutch), (35 87mm Single Clutch), (65 Std. 6 Speed), (135 87mm Std.6 Speed), (165 Std. 6 Speed >564619), (168, 185, 188 Std. 6 Speed) (175, 178 Std. 6 Speed >729574) Industrial 20C, 20D, 20F, 30B, 30D, 30E, 30H, 40B, 40E, 50, 50A, 50B, 50B MKII, 50C, 50D, 50E, 50E/EX, 50F
2	S.40738 Carrier - Clutch Release Bearing	886727M2	(FE 35 23C Dual Clutch), (35 87mm Dual Clutch) (35, 35X A3.152 Single, Dual Clutch & Multi Power), (65 Multi Power), (135 87mm Multi Power), (135, 148 AD3.152 Dual & Split Torque Clutch), 158, (165 564620>), (168 Multi Power), (175, 178 792575>), (185, 188 Multi Power), 230, (235 Brazil), 240, 250, 253, (250X Brazil), (265 Brazil), (275 Brazil), (290 Brazil), (292 Brazil), (297 Brazil), (298 Brazil), (299 Brazil), 340, 350, 355, 360, 365, 375, 390, 390T, 398, 399, 415, (425 2WD >238493), (425 4WD >237827), (435 2WD >236860), (435 4WD >236060), (440 2WD >236369), (440 4WD >236556), (445 2WD >BS035008), (445 4WD >236223), (460 2WD >239117), (460 4WD >236903), (465 4WD >236367), (475 4WD >238868), 550, 565, 575, 590, 595, 675, 690, 698, 698T, 699 Industrial 20C, 20D, 20F, 30B, 30D, 30E, 30H, 40B, 40E, 50, 50A, 50B, 50B MKII, 50C, 50D, 50E, 50E/EX, 50F
3	S.40739 Return Spring - Clutch Release Bearing	1867690M2	35, 35X, 65, 135, 148, 152, 158, 165, 175, 178, 185, 188, 230, 240, 250, 253, 265, 275, 285, 290, 298, 340, 350, 355, 360, (365, 375, 390, 390T, 398, 399 Footstep Model), 550, 565, 575, 590, 595, 675, 690, 698, 698T Industrial 20C, 20D, 20F, 30B, 30D, 30E, 30H, 40B, 40E, 50, 50A, 50B, 50B MKII, 50C, 50D, 50E, 50E/EX, 50F
	S.107320 Return Spring (8 Spd)	3700450M1	415, (425 2WD >238493), (425 4WD >237827), , (435 2WD >236860), (435 4WD >236060), (440 2WD >236369), (440 4WD >236556), (445 2WD >BS035008), (445 4WD >236223), (460 2WD >239117), (460 4WD >236903), (465 4WD >236367), (481 Japan Only), (492 Japan Only), (290 Brazil), (298 Brazil)
4	S.41870 Gearbox Input Housing (Replace Old Type Housing 180428M2 with 1 x S.41870 Housing + 1 x S.40738 Carrier)	1867223M1	(FE35, 35, 35X, 175, 178 Std. 6 Speed - Replace Old Type Housing 180428M2 with 1 x S.41870 Housing + 1 x S.40738 Carrier) (135, 148, 165, 168, 185, 188 Std. 6 Speed) Industrial 50, 50B, 50B MKII, 50D, 50F
5	S.40789 Gearbox Input Housing	1860890M92, 1693833M92, 8760876M1	(135, 148, 165, 168, 185, 188, 230, 235, 240, 245, 250, 253, 265, 275, 270, 282, 283, 285, 290, 298, 550, 565, 575, 590, 670, 675, 690, 690T, 699 8 Speed Transmissions) Industrial 20C, 20D, 20F, 30B, 30D, 30H, 40B, 40E, 50C, 50E, 50E/EX
6	S.60019 Gearbox Input Housing	1860889M92	(135, 148, 158, 165, 168, 185, 188, 230, 235, 240, 245, 250, 265, 275, 270, 282, 283, 285, 290, 298, 550, 565, 575, 590, 670, 675, 690, 690T, 699 Multi Power Transmissions)
6a	S.61853 Gasket - Multi Power Housing	512787M2	
6b	S.43896 Gasket Kit - Multipower Valve	832207M1+ 186570M1+ 188807M2+ S.61853	35, 35X, 65, 135, 135 Petrol, 148, 158, 165, 168, 175, 178, 185, 188, 230, 235, 240, 245, 250, 265, 270, 275, 282, 283, 285, 290, 298, 550, 565, 575, 590, 670, 675, 690, 690T, 699
7	S.41332 Gasket (Gearbox Input Housing)	180434M1	(FE 35, 35, 35X, 135, 148, 165, 185, 188, 175, 178 Std. 6 Speed & Early Multi Power Input Housings 886720M91 & 1885502M91) Industrial 50, 50A, 50B, 50B MKII, 50D, 50F

MF05



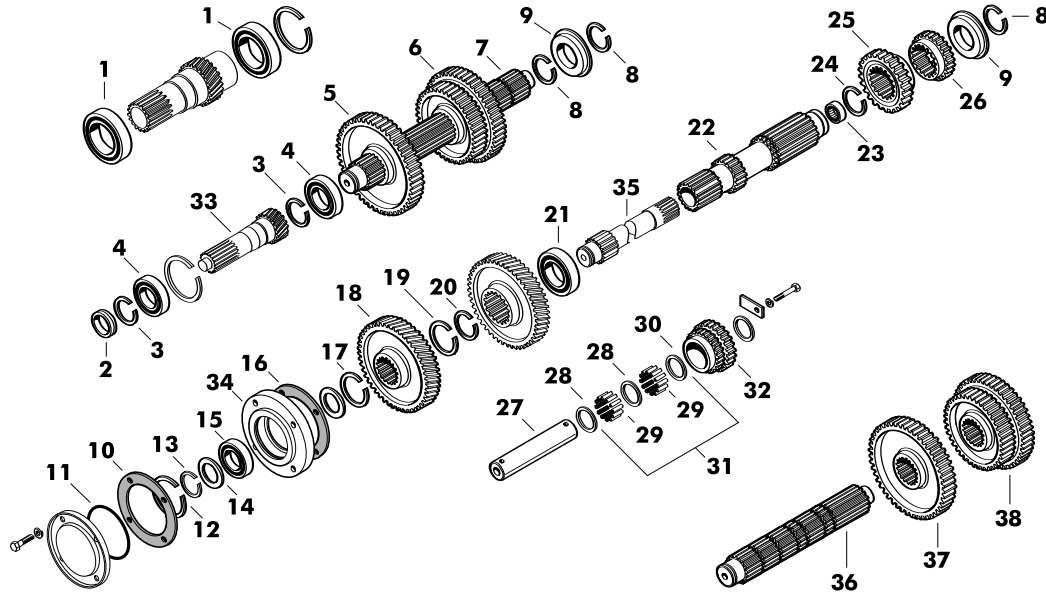
	Description	OEM Ref:	Applications
8	S.41331 O'Ring - Gearbox Input Housing (Material: Nitrile Rubber 70° shore hardness. For general use at temperatures: -40°C to +135°C.). BS045	886089M1	(135 Multi Power Use with 1860889M91 Input Housing), 148, 158, (165 8 Speed & Multi Power Use with 1860890M91 & 1860889M91 Input Housing), 168, (175, 178 Multi Power Use with 1860889M91 Input Housing), 230, 240, 253, 265, 275, 290, 298, 340, 342, 350, 352, 355, 360, 362, 362N, 365, 372, 375, 382, 382N, 390, 390T, 398, 399, 550, 565, 575, 590, 595, 675, 690, 698, 698T, 699, 1200, Industrial 20C, 20D, 20F, 30B, 30D, 30H, 40B, 40E, 50B, 50C, 50D, 50F, 50E, 50E/EX
9	S.10231 Seal 1 3/8" x 2" x 5/16" (Transmission input shaft)	1230	TE20, TEA20, TED20, TEF20
9	S.41749 Seal - Gearbox Input Housing (O/D: 2" x I/D: 1 5/8" x 1/4")	886673M1	Models using the Early Gearbox Input Housing 886720M91, 964903M91 & 1885502M91 (Check Dimensions of Seal)
9	S.40741 Seal - Gearbox Input Housing (57.3 x 43.6 x 9.7mm)	195503M1	(35, 35X, 65 6 Speed Regular Transmission), (135 6 Speed Dual Clutch), (165, 178, 178 6 Speed), Industrial 50
10	S.40742 Seal - Gearbox Input Housing (O/D: 1 15/16" x I/D: 1 5/8" x 1/4")	1860867M3	(135 Multi Power Use with 1860889M91 Input Housing), 148, 158, (165 8 Speed & Multi Power Use with 1860890M91 & 1860889M91 Input Housing), 168, (175, 178 Multi Power use with 1860889M91 Input Housing), 230, 240, 253, (250 Brazil), (265 Brazil), (275 Brazil), (283 Brazil), (290 Brazil), (292 Brazil), (297 Brazil), (298 Brazil), (299 Brazil), 340, 342, 350, 352, 355, 360, 362, 362N, 365, 372, 375, 382, 382N, 390, 390T, 398, 399, 415, (425 2WD >238493), (425 4WD >237827), (435 2WD >236860), (435 4WD >236060), (440 2WD >236369), (440 4WD >236556), (445 2WD >BS035008), (445 4WD >236223), (460 2WD >239117), (460 4WD >236903), (465 4WD >236367), (475 4WD >238868), (481 Japan Only), (492 Japan Only), 550, 565, 575, 590, 595, 675, 690, 698, 698T, 699, 1200 Industrial 20C, 20D, 20F, 30B, 30D, 30E, 30H, 40B, 40E, 50C, 50E, 50E/EX
11	S.40743 Seal - Gearbox Input Housing (52.68 x 39.8 x 14.6mm)	882296M1	(35, 65 Use with 884794M91 Input Housing), (135 Multi Power >114809 Use with 1885502M91 Input Housing), (165 Multi Power SC >561256 HC >561143), (175, 178 Multi Power Use with 884479M91 Input Housing)
11	S.40745 Needle Bearing I/D: 1 5/8" O/D: 1 5/16"	886668M1	(35, 35X, 65 Multi Power Only with Later 1860889M91 Input Housing), (135, 148, 165 8 Speed & Multi Power), (175, 178 Multi Power), 230, (235 Brazil), 240, 253, (250X Brazil), (265 Brazil), (275 Brazil), (290 Brazil), (292 Brazil), (297 Brazil), (298 Brazil), (299 Brazil), 340, 342, 350, 352, 355, 360, 362, 362N, 365, 372, 375, 382, 382N, 390, 390T, 398, 399, (410/420), (415), (425 2WD >238493), (425 4WD >237827), (435 2WD >236860), (435 4WD >236060), (440 2WD >236369), (440 4WD >236556), (445 2WD >BS035008), (445 4WD >236223), (460 2WD >239117), (460 4WD >236903), (465 4WD >236367), (475 4WD >238868), (481 Japan Only), (492 Japan Only), 550, 565, 575, 590, 595, 675, 690, 698, 698T, 699, 1200 Industrial 20C, 20D, 20F, 30B, 30D, 30E, 30H, 40B, 40E, 50C, 50E, 50E/EX
12	S.8799 Setscrew 3/8" x 7/8" UNC Din No. 933. Grade 8.8	353690X1	(35, 35X, 65 6 Speed), (250 8 Speed Syncro), (253 Manual Shuttle), 298
12	S.8766 Setscrew 3/8" x 7/8" UNF Din No. 933. Grade 8.8	377477X1	230, 240, 253, 265, 275, 290, 298, 340, 342, 350, 352, 355, 360, 362, 362N, 365, 372, 375, 382, 382N, 390, 390T, 398, 399, 550, 565, 575, 590, 595, 675, 690, 698, 698T, 699, 1200
12	S.8800 Setscrew 3/8" x 1 1/4" UNC Din No. 933. Grade 8.8	353692X1	(35, 35X, 65 Multi Power), 135, 148, (165 6 & 8 Speed), 168, 175, 178
13	S.53761 Bolt 3/8" x 2" UNC Din No. 931. Grade 8.8	354265X1	(35, 35X, 65 Multi Power), (135 8 Speed & Multi Power Dual Clutch), 148, (165 8 Speed), 168, 175, 178, (253 Manual Shuttle)
13	S.53792 Bolt 3/8" x 1 1/2" UNF Din No. 931. Grade 8.8	377480X1	230, 240, 250, (253 8 Speed Constant Mesh), 265, 275, 290, 298, 550, 565, 575, 590, 675, 690, 698, 698T, 699, 1200
14	S.41557 Screw - Locking	180002M1, 881144M1	35, 35X, 65, 135, 148, 165, 168, 175, 178, 185, 188, 230, 240, 253, 265, 275, 290, 298, 340, 342, 350, 352, 355, 360, 362, 362N, 365, 372, 375, 382, 382N, 390, 390T, 398, 399, 550, 565, 575, 590, 595, 675, 690, 698, 698T, 699, 1200 Industrial 20C, 20D, 20F, 30B, 30D, 30E, 30H, 40B, 40E, 50, 50A, 50B, 50B MKII, 50C, 50E, 50E/EX, 50F



	Description	OEM Ref:	Applications
15	S.40744 Bearing - Input Housing	195494M1 3009388X1 831962M1	(35, 35X Dual Clutch), 65, (135 Dual Clutch), 165, 175, 178 Industrial 20C, 30, 30B, 30D, 40, 40B, 40N, 50, 50A, 50B, 50B MKII, 50C, 50D, 50E, 50F, 202, 203, 204, 205, 302, 304, 2200
16	S.18076 Deep Groove Ball Bearing Series: 6210. Type: ZZ. I/D: 50mm. O/D: 90mm. Width: 20mm.	391128X1	35, 35X, 50E, 50EX, 65, 133, 135, 140, 145, 148, 152, 155, 158, 165, 168, 175, 178, 185, 188, 230, 235, 240, 243, 245, 250, 253, 255, 260, 263, 265, 275, 285, 290, 298, 340, 342, 350, 352, 355, 360, 362, 365, 372, 375, 382, 390, 396, 398, 399, 415, 440, 550, 560, 565, 575, 590, 592, 595, 675, 690, 698, 699, 765, 1004, 1080, 1200, 1250, 4215, 4220, 4225, 4235, 4240, 4245, 4255, 4260, 4265, 4270, 4315, 4320, 4325, 4335, 4345, 4355, 4360, 4365, 4370, 5335, 5340, 5355, 5360, 5365 Industrial Tractors 20, 20C, 20D, 20F, 30B, 30D, 30E, 30H, 40, 40B, 40E, 50, 50C Combine 30
17	S.41858 Shaft - Clutch Fork (Long)	180444M1 1679460M1	35, 35X, 65, 135, 148, 165, 168, 175, 178, 185, 188, 230, 240, 253, 265, 275, 290, 298, 1200 Industrial 20C, 20D, 20F, 30B, 30D, 30E, 30H, 40B, 40E, 50, 50A, 50B, 50B MKII, 50C, 50D, 50E, 50E/EX, 50F
18	S.41857 Shaft - Clutch Fork (Short)	180449M1	35, 35X, 65, 135, 148, 165, 168, 175, 178, 185, 188, 230, 240, 253, 265, 275, 290, 298, 1200 Industrial 20C, 20D, 20F, 30B, 30D, 30E, 30H, 40B, 40E, 50, 50A, 50B, 50B MKII, 50C, 50D, 50E, 50E/EX, 50F
19	S.40740 Bush - Clutch Fork Shaft (OD 27mm, ID 25.5mm, Width 19.2mm))	184592M1	35, 35X, 65, 135, 148, 165, 168, 175, 178, 185, 188, 230, 240, 253, 265, 275, 290, 298, 1200 Industrial 20C, 20D, 20F, 30B, 30D, 30E, 30H, 40B, 40E, 50, 50A, 50B, 50B MKII, 50C, 50D, 50E, 50E/EX, 50F
20	S.41741 Bush - Brake Shaft (OD 38mm, ID 35mm, Width 36.4mm))	180801M1	35, 35X, 65, 135, 148, 165, 168, 175, 178, 185, 188, 230, (235 Brazil), 240, 253, (250X Brazil), (265 Brazil), (275 Brazil), (290 Brazil), (292 Brazil), (295 Brazil), (296 Brazil), (297 Brazil), (298 Brazil), (299 Brazil) (410/420), (415), (425 2WD >238493), (425 4WD >237827), (435 2WD >236860), (435 4WD >236060), (440 2WD >236369), (440 4WD >236556), (445 2WD >BS035008), (445 4WD >236223), (460 2WD >239117), (460 4WD >236903), (465 4WD >236367), (475 4WD >238868), (481 Japan Only), (492 Japan Only), 1200 Industrial 20C, 20D, 20F, 30B, 30D, 30E, 30H, 40B, 40E, 50, 50A, 50B, 50B MKII, 50C, 50D, 50E, 50E/EX, 50F
21	S.8944 Setscrew (UNC) 5/8" x 1 1/4" UNC. Din No. 933. Grade 8.8	353901X1	35, 35X, 65, 135, 148, 165, 168, 175, 178, 185, 188, 1200
21	S.8943 Setscrew (UNC) 5/8" x 1" UNC. Din No. 933. Grade 8.8	354441X1	230, 240, 253, 265, 275, 290, 298, 340, 342, 350, 352, 355, 360, 362, 362N, 365, 372, 375, 382, 382N, 390, 390T, 398, 399, 550, 565, 575, 590, 595, 675, 690, 698, 698T, 699
21	S.43797 Gasket - Steering Box to Transmission (Fits both sides of Steering Box Plate)	890736M1, 7083	TE20
22	S.41352 Gasket - Steering Box to Transmission	180511M1	35, 35X, 65, 135, 148, 165, 16, 175, 178, 185, 188, 230, 240, 250, 253, 265, 275, 290, 298, 340, 342, 350, 352, 355, 360, 362, 362N, 365, 372, 375, 382, 382N, 390, 390T, 399, 550, 565, 575, 590, 595, 675, 690, 698, 698T, 699, 1200
23	S.40814 Gasket Transmission to rear axle housing	3599804M2 1861986M2	35, 35X, 65, 135, 148, 155, 158, 165, 168, 175, 178, 185, 188, 230, 240, 253, 265, 275, 290, 298, 550, 565, 575, 590, 595, 675, 690, 1200 Industrial 50, 50A, 50B, 50B MKII
23	S.43225 Gasket - Transmission Housing	1687785M1	275, 290, 362, 365, 375, 390, 390T, 398, 399, 698, 698T, 699, 1004T, 4215, 4220, 4225, 4235, 4240, 4245, 4255, 4260, 4265, 4270, 4315, 4320, 4325, 4335, 4345, 4355, 4360, 4365, 4370, 5335, 5340, 5355, 5360, 5365
24	S.41964 Fork - Clutch Release	886719M1	(35, 35X Dual Clutch), 65, 135, 148, 155, 158, 165, 168, 175, 178, 185, 188, 230, 240, 253, 265, 275, 290, 298, 1200 Industrial 20C, 20D, 20F, 30B, 30D, 30E, 30H, 40B, 40E, 50, 50A, 50B, 50B MKII, 50C, 50D, 50E, 50E/EX, 50F
25	S.40734 Bearing - Flywheel to Input Shaft d Ø 17mm, D Ø 40mm	828123M1 488952M4	(250 Brazil), (265 Brazil), (275 Brazil), (283 Brazil), (290 Brazil), (292 Brazil), (297 Brazil), (298 Brazil), (299 Brazil) (415), (425 2WD >238493), (425 4WD >237827), (435 2WD >236860), (435 4WD >236060), (440 2WD >236369), (440 4WD >236556), (445 2WD >BS035008), (445 4WD >236223), (460 2WD >239117), (460 4WD >236903), (465 4WD >236367), (475 4WD >238868), (481 Japan Only), (492 Japan Only), (440, 460 Brazilian Built)
26	S.42584 Clutch Pedal	1861169M1	35, 35X, 133, 135, 135MKIII, 135E, 135F, 135V, 140, 145, 145MKIII, 145S, 145V, 148, 148MKIII, 152, 152MKIII, 152F, 152S, 152V, 155, 158, 158MKIII, 158F, 158S, 158V, 168MKIII, 168F, 168S, 230, 240, 250, 253

MF05

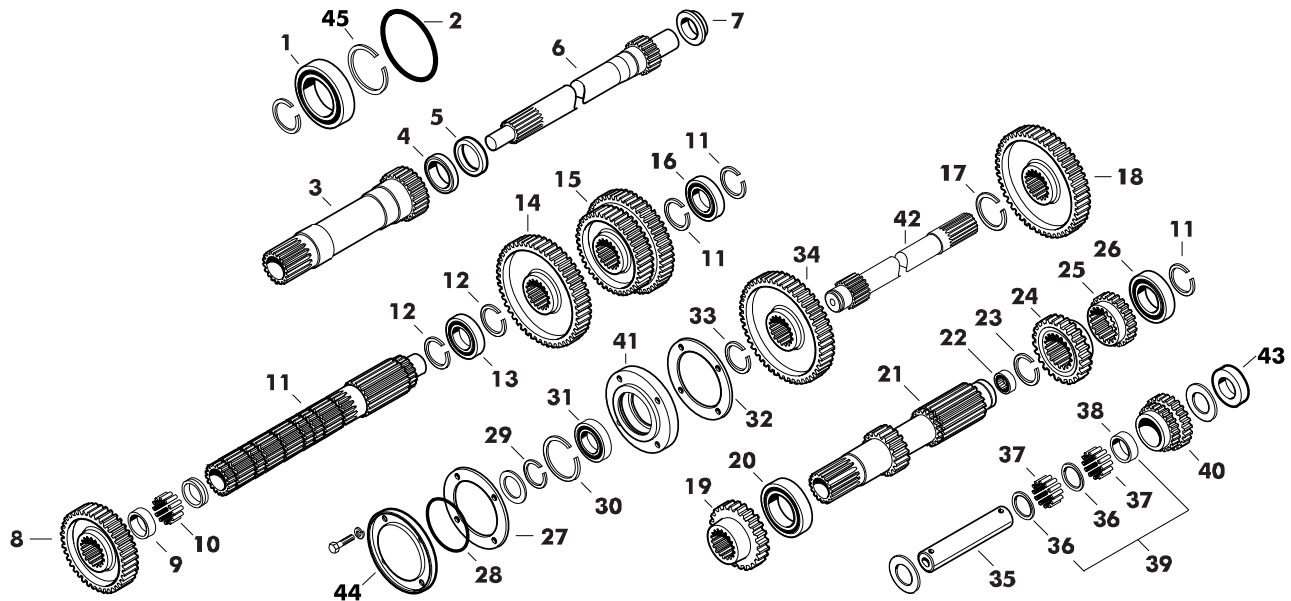
MF05



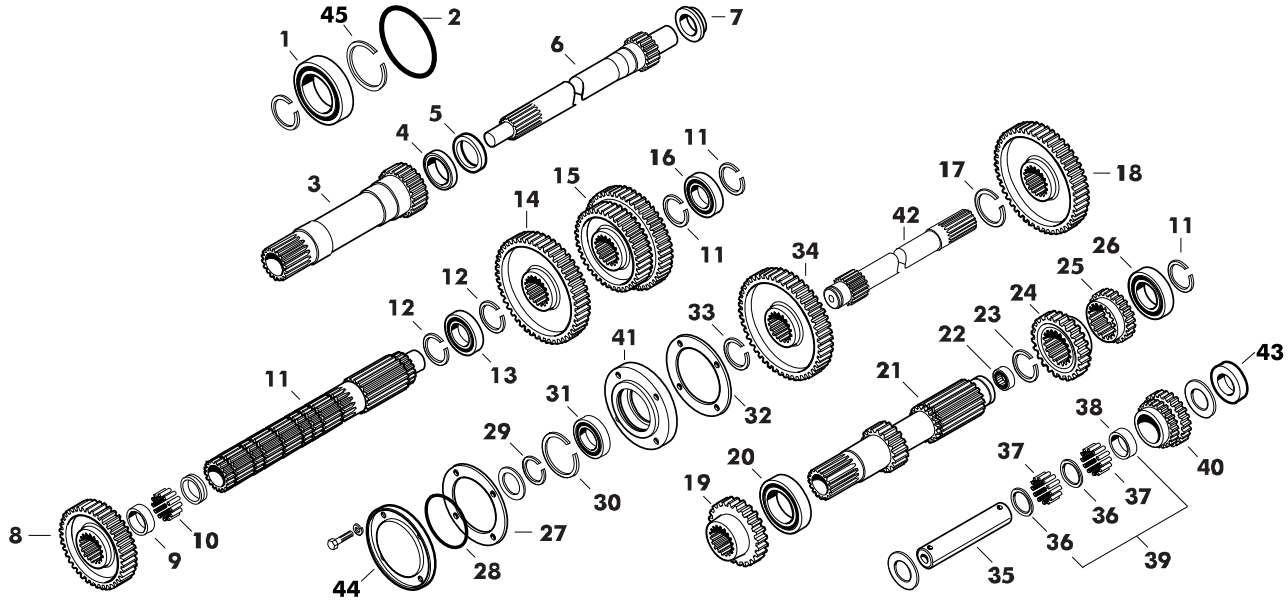
		Description	OEM Ref:	Applications
1	S.40744	Bearing - Input Housing	195494M1, 3009388X1, 831962M1	(35, 35X, 65, 135, 165, 175, 178 6 Speed) Industrial (20C 6 Speed), 50
2	S.42395	Seal - Main Drive Shaft	195523M1	(35, 35X, 133, 135, 140, 240 Single Clutch)
2	S.40746	Seal - Main Drive Shaft	195501M1	(35, 35X Dual Clutch), 65, (135 Dual Clutch), 165, 175, 175S, 178
2	S.40747	Seal - Main Drive Shaft	883935M4	1080
3	S.41630a	Circlip - External (44 x 36 x 2.4mm)	195222M1	35, 35X, 65, 135, 165, 175, 178 Industrial 20C, 50, 50B, 50BMKIII
4	S.40781	Bearing	195505M1, 1866071M1, 1870342M1, 1447681M1, 831469M1	35, 35X, 65, 133, 135, 140, 145, 165, 165MKIII, 175, 175S, 178, 240, 253, 765, 835, 865, (1080 USA)
5	S.40749	Gear (45 Teeth)	183042M1	(35, 35X>365359), (65, 765>600254), 865
5	S.40750	Gear (1st) 44 Teeth	520700M2, 520700M4, 1682688M1	(35, 35X 365360>), 65, 175, 178, (765>600254), 865
6	S.40751	Gear 36 Teeth/46 Teeth (18 Spline)	180416M1	(35, 35X>365359), (65>531318)
6	S.40752	Gear 36 Teeth/46 Teeth (18 Spline)	891904M1	(35, 35X 213314>), (65 531319>), 133, 135, 140, 175, 175S, 178
6	S.40753	Gear 36 Teeth/46 Teeth (18 Spline)	880957M1	35, 35X, 65, 135, 165, 175, 175S, 178, 765, (1080 USA), 1085
6	S.41852	Gear (2nd & 4th) - 36 Teeth/46 Teeth (18 Spline)	1682691M1	240
7	S.40764	Mainshaft 18 Spline, 3 Groove, Length: 288mm	180441M1	(35, 35X>213312), (65, 765>531318)
7	S.40765	Mainshaft 18 Spline, 7 Groove, Length: 300mm	894702M1, 880955M1	(65, 765 609714>), 133, 135, 140, 145, 165, 165MKIII, 175, 175S, 178, 240
8	S.41623	Internal Circlip 55.6 x 46.1 x 2.4mm	195363M1	35, 35X, 65, 133, 135, 140, 145, 165, 765, 835, 865, 175, 175S, 178, 240
9	S.40785	Bearing - Input Housing	195493M1, 3008252X1, 3000781X1, 1675274M1	35, 35X, 65, 133, 135, 140, 165, 165MKIII, 175, 175S, 178, 240, 253, 765, 835, (1080 USA), Super 90
10	S.41508	Gasket (Layshaft Bearing Housing)	181237M1	FE35, 35, 35X, 65, (135 Single Clutch), (135 Dual Clutch >36408), (165>515284), (175, 178>707332), (240 Single Clutch), 765, 835, 865
11	S.40809	O'Ring	883621M1, 1004633M1, 2415813	133, (135 36408>), 135E, 135F, 140, 165, (175 707333>), 175S, (178 707333>), 231, (1080 USA)

	Description	OEM Ref:	Applications
12	S.41625 Internal Circlip 79.5 x 71.4 x 2.4mm	355988X1	(65 609714>), 135, 145, 165, 175, 175S, 178, 240, (765 609714>), (1080 USA), 1085
13	S.41630b External Circlip (44 x 36 x 2.4mm))	195222M1	(35 Dual Clutch>307657), (65>571857)
13	S.41627a External Circlip (31.3 x 26.4 x 1.3mm))	899385M1	(135 Dual Clutch), 165, 175, 178
14	S.41628a External Circlip (38.2 x 31.7 x 1.6mm))	358913X1	175, 178 Industrial 50
15	S.18074 Deep Groove Ball Bearing Series: 6208. Type: ZZ. I/D: 40mm. O/D: 80mm. Width: 18mm.	195502M2	(35 Dual Clutch>), (65>609713)
15	S.18443 Deep Groove Ball Bearing Series: RMS 9. I/D: 1.1250". O/D: 2.8125". Width: 0.8125".	899377M3, 3760514M1, 899377M2	(65 609714>), (135 Dual Clutch), 165, 175, 178 Industrial 20C, 20D, 20F, 30B, 30D, 30E, 30H, 40B, 50, 50E
16	S.41509 Gasket (Layshaft Bearing Housing)	180432M1	(35, 35X Dual Clutch), 65, (135 Dual Clutch), 145, 165, 165MKIII, 175, 175S, 178, 240, 253, 765, 835, 865, 1080
17	S.41627b External Circlip (31.3 x 26.4 x 1.3mm))	899385X1	165, 175, 178 Industrial 50
17	S.41628b Circlip - External (38.2 x 31.7 x 1.6mm))	358913X1	Industrial 20C, 20D, 30B, 30D, 30E, 30H
18	S.40792 PTO Gear 53 Teeth (15 Spline)	899329M1, 1867820M1	(65 609714>), 133, (135>439191), 140, 145, (165>130773), 175, 175S, 178, (765 609714>),
18	S.40793 PTO Gear 53 Teeth (21 Spline)	1868532M1	(135 439191>), (165 130773>)
19	S.41624 External Circlip 60 x 50.2 x 4.8mm	195499M1	35, 35X, 65, 133, 135, 140, 145, 165, 165MKIII, 175, 175S, 178, 240, 765, 835, 865, 1080
20	S.41628c External Circlip (38.2 x 31.7 x 1.6mm))	358913X1	135
20	S.41627c External Circlip (31.3 x 26.4 x 1.3mm))	899385M1	175, 178 Industrial 50
21	S.40757 Deep Groove Bearing (6211 ZZ) I/D = 55mm. O/D = 100mm. Depth = 21mm. Supercedes S.18077	195507M1	35, 35X, 65, 133, 135, 140, 145, 165, 175, 178, 765, (1080 USA)
22	S.40758 Countershaft 20 Spline, 15 Teeth, 17 Spline	183054M91	(35, 35X Dual Clutch), 65, 133, (135 Dual Clutch), 140, 165, 175, 175S, 178, 240, 765, 865, (1080 USA)
23	S.40761 Needle Bearing I/D: 1 3/8". O/D: 1 5/8". Depth: 1/2"	195453M1	35, 35X, 65, 165, 175, 175S, 178, 240, 765, 835, 865, (1080 USA), Super 90
24	S.41632 External Circlip 62.7 x 51.6 x 2.8mm	195500M1	35, 35X, 65, 133, 135, 140, 145, 165, 175, 175S, 178, 235, 240, 245, 765, 865, (1080 USA)
25	S.40762 Gear Pinion 33 Teeth (17 Spline)	180415M1	35, 35X, 65, 133, 135, 140, 165, 175, 175S, 178, 240, 765, 865, (1080 USA)
26	S.40763 Gear Pinion 23 Teeth (17 Spline)	180419M1, 072221P1	35, 35X, 65, 133, 135, 140, 165, 175, 175S, 178, 240, 765, 865, (1080 USA)
27	S.41856 Reverse Cluster Shaft	180445M1	35, 35X, 65, 133, 135, 140, 145, 165, 165MKIII, 175, 175S, 178, 240, 765, 865, (1080 USA)
28	S.41794 Reverse Cluster Washer	183037M1	35, 35X, 65, 133, 135, 140, 145, 165, 175, 175S, 178, 240, 765, 835, 865, (1080 USA), 1100, 1130
29	S.41796 Needle Bearing - Kit (56 pieces)	183039M1	35, 35X, 65, 133, 135, 140, 145, 165, 175, 175S, 178, 240, 765, 835, 865, (1080 USA), 1100, 1130
30	S.41795 Spacer Washer	183038M1	35, 35X, 65, 135, 145, 165, 175, 175S, 178, 240, 765, 865, (1080 USA)
31	S.40787 Needle Bearing - Kit (62 pieces)	830735M91	35, 35X, 65, 135, 165, 175, 175S, 178, 765, (1080 USA)
32	S.40788 Reverse Gear Cluster	183040M1	35, 35X, 65, 135, 175, 175S, 178, 240, 765, 865, (1080 USA)
33	S.42005 Mainshaft Input Drive	180420M1, 1669325M1	35, 35X, 133, 135, 140, 240
34	S.42139 Layshaft Bearing Housing	899331M1	(65 609714>), 133, 135, 140, 150, 165, 175, 188 Industrial 20, 20C, 20D, 20F, 30B, 30D, 30E, 50, 50B, 50B MKII, 50C, 50D, 50F, 2135, 2165
35	S.42140 Shaft 21 Spline, Length: 406.4mm	1868533M1	65, 133, 135, 140, 150, 165, Industrial 20, 20C, 20D, 20F, 30B, 30D, 30E, 50, 50B, 50B MKII, 50D, 50F, 2135, 2165
36	S.40765b Mainshaft (18 Sp. x 7 Gr. x 300mm)	894702M1, 880955M1	(65, 135, 175, 178 Only used if Later Kit has been Fitted), 165
37	S.40753b Gear (36T/46T/18 Spline),	880957M1	(65, 135, 175, 178 Only used if Later Kit has been Fitted), 165
38	S.40750b Gear (44 Teeth)	520700M2, 520700M4, 1682688M1	(35, 35X, 65, 135, 175, 178 Only used if Later Kit has been Fitted), 165

MF05



	Description	OEM Ref:	Applications
1	S.18076 Deep Groove Ball Bearing Series: 6210. Type: ZZ. I/D: 50mm. O/D: 90mm. Width: 20mm.	391128X1	35, 35X, 50E, 50EX, 65, 133, 135, 140, 145, 148, 152, 155, 158, 165, 168, 175, 178, 185, 188, 230, 235, 240, 243, 245, 250, 253, 255, 260, 263, 265, 275, 285, 290, 298, 340, 342, 350, 352, 355, 360, 362, 365, 372, 375, 382, 390, 396, 398, 399, 415, 440, 550, 560, 565, 575, 590, 592, 595, 675, 690, 698, 699, 765, 1004, 1080, 1200, 1250, 4215, 4220, 4225, 4235, 4240, 4245, 4255, 4260, 4265, 4270, 4315, 4320, 4325, 4335, 4345, 4355, 4360, 4365, 4370, 5335, 5340, 5355, 5360, 5365
2	S.41331 O'Ring - Gearbox Input Housing (Material: Nitrile Rubber 70° shore hardness. For general use at temperatures: -40°C to +135°C.). BS045	886089M1	133, 135, 135E, 135F, 140, 145, 148, 152, 165, 165MKIII, 168, 185, 188, 230, 231, 235, 240, 240S, 243, 245, 250, 253, 261, 263, 265, 265S, 275, 285, 285S, 290, 350, 355, 360, 362, 365, 375, 375E, 390, 390E, 390T, 396, 415, 425, 435, 440, 550, 560, 565, 575, 590, 592, 595, 4225, 4235, 4240, 4245, 4255, 4265, 4315, 4320, 4345, 4355
3	S.40774 PTO Input Shaft 17 Teeth, 10 Spline	906919M91, 1860009M91	(133 17 Splines), (135>439191), 135E, 135F, (140 17 Splines), (148>605134), (155, 158 17 Splines), (165>130773), (168>255118), (185>317618), (188>358839)
3	S.40775 PTO Input Shaft 17 Teeth, 25 Spline	1868530M91, 1868531M1	(135 439191>), 168, (185 317618>), (188 358839>), 235, 245, 250, 265, 275, 285, 290, 550, 565, 575, 590
3	S.41862 PTO Input Shaft 16 Teeth, 25 Spline	1671704M91, 1671705M1	231, 230, 240, 243, 250, 253, 261, 263, 290, 350, 355, 360, 362, 365, 375, 390, 390E, 390T, 590, 4225, 4235, 4240, 4245, 4255, 4265, 4315, 4320, 4325, 4335, 4345, 4355
3	S.42239 PTO Input Shaft 20 Teeth, 25 Spline	1869712M91	250, 255, (265>193552), 290, 365, 375, 390, 396, 550, 575, 590
3	S.107351 Shaft (8 Spd)	9004881M1	(425 2WD >238493), (425 4WD >237827) (435 2WD >236380), (435 4WD >236060), (440 2WD >236369), (440 4WD >236556), (445 2WD >B5035008), (445 4WD >236223), (460 2WD >239117), (460 4WD >236903), (465 4WD >236367), (475 4WD >238868), 481 (Japan Only), 492 (Japan Only) 5335, 5340, 5355, 5360, 5365, (292 Brazil), (298 Brazil)
3	S.60098 PTO Input Shaft 25 Teeth	532060M91	592, 595
4	S.40748 PTO Input Shaft Seal	1860011M1, 9004880M91	133, 135, 140, 148, 152, 155, 165, 168, 185, 188, 230, 231, 235, 240, 240S, 243, 245, 250, 253, 263, 265, 265S, 275, 285, 290, 362, 365, 375, 375E, 390, 390E, 390T, 396, 550, 565, 575, 590, 590, 590, 4225, 4235, 4240, 4245, 4255, 4265, 4315, 4320, 4325, 4335, 4345, 4355
4	S.40747 Seal - Main Drive Shaft	883935M4	135, 145, 155, 285
5	S.73502 Thrust Washer - Transmission	964929M1	133, 135, 140, 148, 152, 155, 165, 168, 185, 188, 230, 231, 240, 243, 240S, 250, 253, 261, 263, 265, 275, 285, 290, 360, 362, 375, 375E, 390, 390E, 390T, 396, 415, 425, 435, 440, 550, 590, 592, 595, 1085, 4225, 4235, 4240, 4245, 4255, 4265, 4315, 4320, 4325, 4335, 4345, 4355
6	S.40777 Pinion Mainshaft Input Drive 18 Teeth, Length 350mm	964926M3	133, 135, 231, 240S
6	S.40778 Pinion Mainshaft Input Drive 24 Teeth	964925M3	145, (148 Switzerland), 152, 155, 158, 165, 165MKIII, 168, 185, 188, 240, 265, 275, 285, 565
6	S.42238 Mainshaft 25 Teeth	908493M3	290
6	S.43437 Mainshaft 21 Spline	1693790M2	275, 290, 350, 355, 360, 362, 365, 375, 375E, 390, 390E, 4225, 4235, 4240, 4245, 4255, 4265, 4315, 4320, 4325, 4335, 4345, 4355
7	S.41861 Thrust Washer Distance Piece	964944M1	133, 135, 135E, 135F, 140, 145, 148, 152, 155, 158, 165, 168, 185, 188, 230, 231, 235, 240, 240S, 243, 245, 250, 253, 261, 263, 265, 265S, 275, 285, 285S, 290, 350, 355, 360, 362, 365, 375, 375E, 390, 390E, 390T, 396, 415, 425, 435, 440, 550, 565, 575, 590, 592, 595, 4225, 4235, 4240, 4245, 4255, 4265, 4315, 4320, 4325, 4335, 4345, 4355
8	S.40780 Gear (3rd) 41 Teeth	964917M1, 1660094M1, 1682690M1	133, 135, 140, 145, 148, 152, 155, 158, 165, 168, 185, 230, (235>Z173012), 240, 245, 250, 253, 265, 275, 285, 290, 350, 355, 360, 362, 365, 375, 390, 550, 565, 575, 590, 4225, 4235, 4240, 4245, 4255, 4265, 4315, 4320, 4325, 4335, 4345, 4355



MF05

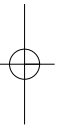
	Description	OEM Ref:	Applications
8	S.61078 Gear 32 Teeth (18 Splines)	1683360M1	230, 231, 240, 240S, 243, 253, 261, 263, 265S, 285S, 360, 362, 375, 390, 390T, 396, (4225, 4235, 4240 North America Only >K37008), (4315, 4320, 4325, 4335, 4345, 4355 North America Only)
8	S.107333 Gear (8Spd G'Box 071612N1C)	071624P1	415, (440 2WD >236369), (440 4WD >236556)
9	S.41805 Spacer	2700274M1	135, 148, 165, 185, 188, 230, 231, 235, 240, 240S, 243, 245, 250, 253, 255, 261, 263, 265, 265S, 275, 285, 285S, 290, 350, 355, 360, 362, 365, 375, 375E, 390, 390E, 390T, 396, 415, 425, 435, 440, 550, 565, 575, 590, 592, 595, 4225, 4235, 4240, 4245, 4255, 4265, 4315, 4320, 4325, 4335, 4345, 4355
10	S.40783 Needle Bearing I/D: 1". O/D: 1 5/16". Depth: 1"	2700273M1	135, 148, 152, (155, 158 M271001>), (165 127028>), 185, 188, 230, 231, 235, 240, 240S, 243, 245, 250, 253, 261, 263, 265, 265S, 275, 285, 285S, 290, 350, 355, 360, 362, 365, 375, 375E, 390, 390E, 390T, 396, 415, 435, 440, 550, 565, 575, 590, 592, 595, 4225, 4235, 4240, 4245, 4255, 4260, 4315, 4320, 4325, 4335, 4345, 4355
10	S.42064 Needle Bearing I/D: 1". O/D: 1 1/4". Depth: 1"	18543X	133, 135E, 135F, 140, 145, 148, 152, 155, 158, (165>127028), 165MKIII, 168, 185
11	S.40767 Mainshaft 18 Spline, 7 Groove	1870149M2	135, (148 Switzerland Only), (155, 155 M271001>), (165 127028>), (168>253970), (188 18 Spline), (235 Z173012), (240>532834), 250, (265>194386)
11	S.41609 Mainshaft 18 Spline, 9 Groove (Can be replaced by S.40767 Shaft, but will require 40753, 40780, 40783 & 2 x 41805)	964918M91	133, 135, 135E, 135F, 140, 145, 148, 152, 155, 158, (165>127028), 165MKIII, 168, (185>314997), 188
11	S.41751 Mainshaft 18 Spline, 9 Groove (Use with S.41852 when replacing both S.40766 Mainshaft & S.40752 Gear)	1682449M1, 1687643M1	230, 231, 240, 240S, 243, 250, 253, 263, 265, 265S, 285S, 350, 355, 360, 362, 365, 375
11	S.40766 Mainshaft 22/18 Spline, 7 Groove	1870151M2	(148 604258>), (165 Heavy Duty), (168 253970>), (185 314997>), 188, (275>221482), 285, (290>386747), 550, 565, 575, 590
11	S.41750 Mainshaft 18/22 Spline (Use with S.41852 when replacing both S.40766 Mainshaft & S.40752 Gear)	1682448M1, 1687642M1	261, 265, 265S, 275, 285S, 290, 362, 375, 375E, 390, 390E, 390T, 396, 4225, 4235, 4240, 4245, 4255, 4265, 4315, 4320, 4325, 4335, 4345, 4355
12	S.41623 Internal Circlip 55.6 x 46.1 x 2.4mm	195363M1	133, 135, 135E, 135F, 140, 145, 148, 152, 155, 165, 165MKIII, 168, 185, 188, 230, 231, 235, 240, 240S, 243, 245
13	S.40782 Bearing	338552X1	133, 135, 140, 148, 152, 155, 165, 168, 185, 188, 230, 231, 235, 240, 240S, 243, 245, 250, 253, 261, 263, 265, 265S, 285S, 275, 285, 290, 350, 355, 360, 362, 365, 375, 375E, 390, 390E, 390T, 396, 415, 550, 560, 565, 575, 590, 592, 595, 4225, 4235, 4240, 4245, 4255, 4265, 4315, 4320, 4325, 4335, 4345, 4355
13	S.107345 Bearing	3587731M2	(250X Brazil), (265 Brazil), (283 Brazil), (290 Brazil), (415), (425 2WD >238493), (425 4WD >237827), (435 2WD >236860), (435 4WD >236060), (440 2WD >236369), (440 4WD >236556)
13	S.40785b Bearing	195493M1, 3008252X1	Industrial 40B
14	S.40750 Gear (1st) 44 Teeth	520700M2, 520700M4, 1682688M1	133, 135, 140, 148, 152, 155, 165, 168, 185, 188, 230, 231, 235, 240, 240S, 243, 245, 250, 253, 261, 263, 265, 265S, 275, 285, 290, 350, 355, 360, 362, 365, 375, 375E, 390, 390E, 390T, 396, 415, 425, 435, 440, 550, 565, 575, 590, 590, 4225, 4235, 4240, 4245, 4255, 4265, 4315, 4320, 4325, 4335, 4345, 4355
15	S.40752 Gear 36 Teeth/46 Teeth (18 Spline)	891904M1	133, 135, 140, 145, 148, 152, 155, 158, 165, 165MKIII, 168, 185, 188
15	S.40753 Gear 36 Teeth/46 Teeth (18 Spline)	880957M1	(135 433581>), 155, 158, (165 127027>), 235, (240>532834), 245, 250, (265>194386), (275>221482), 285, (290>386747), 425, 435, 550, 565, 575, 590
15	S.41852 Gear (2nd & 4th) - 36 Teeth/46 Teeth (18 Spline)	1682691M1	230, 231, 240, 240S, 243, 250, 253, 261, 263, 265, 265S, 275, 285S, 290, 350, 355, 360, 362, 365, 375, 375E, 390, 390E, 390T, 396, 4225, 4235, 4240, 4245, 4255, 4265, 4315, 4320, 4325, 4335, 4345, 4355

MF05

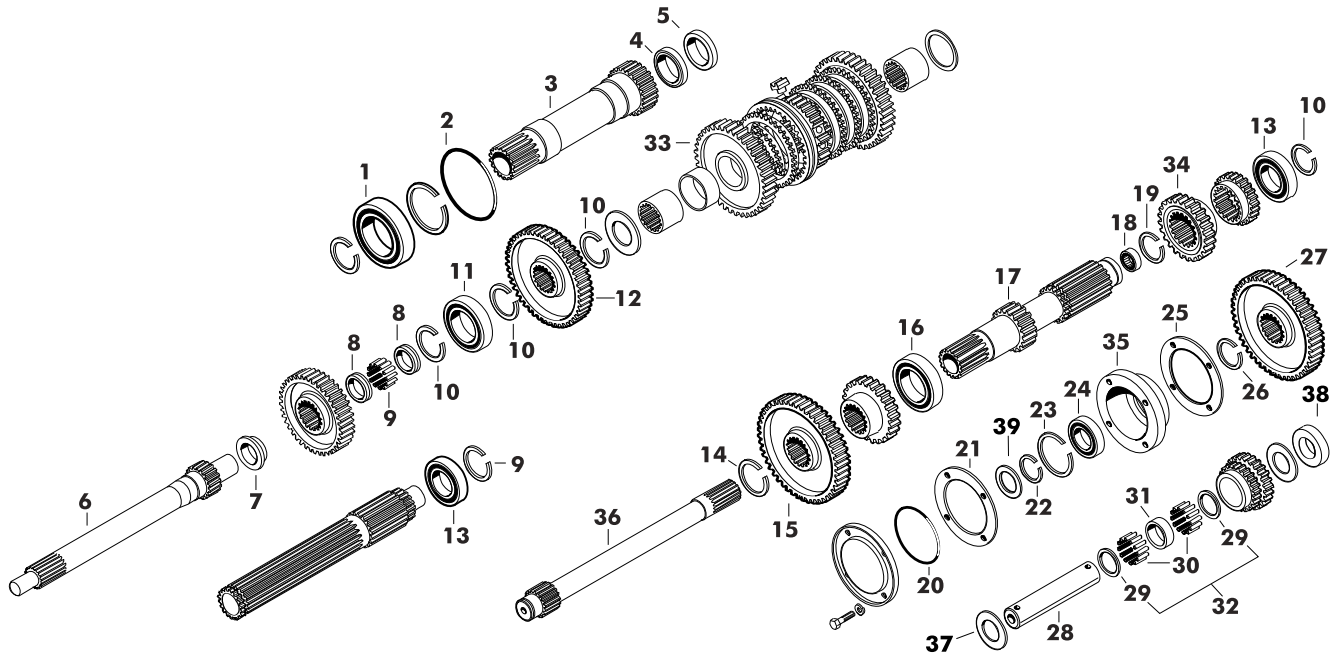
	Description	OEM Ref:	Applications
16	S.40785 Bearing - Input Housing	195493M1, 3008252X1, 3000781X1, 1675274M1	133, 135, 135E, 135F, 140, 145, 148, 152, 155, 158, 165, 165MKIII, 168, 185, 188, 230, 231, 235, 240, 240S, 243, 245, 250, 253, 261, 263, 265, 265S, 275, 285, 285S, 290, 355, 360, 362, 365, 375, 375E, 390, 390E, 390T, 396, 550, 565, 575, 590, 592, 595, 4225, 4235, 4240, 4245, 4255, 4265, 4315, 4320, 4325, 4335, 4345, 4355
17	S.41624 External Circlip 60 x 50.2 x 4.8mm	195499M1	133, 135, 135E, 135F, 140, 145, 148, 152, 155, 158, 165, 165MKIII, 168, 185, 188, 230, 231, 235, 240, 240S, 245, 250, 253, 261, 263, 265, 265S, 275, 285S, 290, 350, 355, 360, 362, 365, 375E, 390, 390E, 390T, 396, 415, 425, 435, 440, 550, 560, 565, 575, 590, 592, 595, 4225, 4235, 4240, 4245, 4255, 4265, 4315, 4320, 4325, 4335, 4345, 4355
18	S.41537 Gear 45 Teeth	906469M1	145, 152, 155, 158, (165 Without Road Speed Limiting Device), 168, 188, (240 Ratio 1.88), 265, 265S, 275, 285, 285S, 425, 435, 565, 575, (4225, 4235, 4240, 4245, 4315, 4320, 4325, 4335, 4345 North America Only>K37008)
19	S.40786 Gear Pinion 28 Teeth	964916M1	133, 135, 135E, 135F, 140, 145, 148, 152, 155, 158, 165, 165MKIII, 168, 185, 188, 230, 235, 240, 245, 250, 253, 263, 265, 275, 285, 290, 350, 355, 360, 362, 365, 375, 375E, 390, 390E, 550, 565, 575, 590, 4225, 4235, 4240, 4245, 4255, 4265, 4315, 4320, 4325, 4335, 4345, 4355
19	S.61079 Gear Pinion 36 Teeth (20 Spline)	1868010M1	230, 231, 240, 240S, 243, 253, 261, 263, 265S, 285S, 360, 362, 375, 390, 390T, 396, 415, 425, 435, 1085, 4225, 4235, 4240, 4315, 4320, 4325, 4335, 4345, 4355
20	S.40757 Deep Groove Bearing (6211 ZZ) I/D = 55mm. O/D = 100mm. Depth = 21mm. Supercedes S.18077	195507M1	133, 135, 140, 148, 152, 155, 165, 165MKIII, 168, 175S, 185, 188, 230, 231, 240, 240S, 243, 245, 250, 253, 261, 263, 265, 275, 285, 290, 350, 355, 360, 362, 365, 375, 375E, 390, 390E, 390T, 396, 415, 425, 435, 440, 550, 565, 575, 590, 4225, 4235, 4240, 4245, 4255, 4265, 4315, 4320, 4235, 4335, 4345, 4355
20	S.43447 Countershaft Bearing	3003372X1	285, 290, 592, 595
21	S.40759 Countershaft 15 Teeth, 17/20 Spline	906472M2, 906743M92, 1660916M91	133, 135, 135E, 135F, 140, 145, 148, 152, 155, 158, 165, 165MKIII, 168, 185, 188, 230, 231, 240, 240S, 243, 250, 253, 261, 263, 265, 265S, 275, 285, 285S, 290, 350, 352, 355, 360, 362, 365, 375, 375E, 390, 390E, 390T, 396, 425, 435, 440, 550, 565, 575, 590, 4225, 4235, 4240, 4245, 4255, 4265, 4315, 4320, 4325, 4335, 4345, 4355
22	S.40761 Needle Bearing I/D: 1 3/8". O/D: 1 5/8". Depth: 1/2"	195453M1	145, 148, 152, 165, 165MKIII, 168, 185, 188, 230, 231, 240, 245, 250, 253, 261, 263, 265, 265S, 275, 285, 285S, 290, 350, 352, 360, 362, 365, 375, 375E, 390, 390E, 390T, 396, 550, 565, 575, 590, 592, 595, 4225, 4235, 4240, 4245, 4255, 4265, 4315, 4320, 4325, 4335, 4345, 4355
23	S.41632 External Circlip 62.7 x 51.6 x 2.8mm	195500M1	133, 135, 140, 145, 148, 152, 155, 165, 168, 185, 188, 230, 231, 235, 240, 240S, 243, 245, 250, 253, 261, 263, 265, 265S, 275, 285, 285S, 290, 350, 355, 360, 362, 365, 375, 375E, 390, 390E, 390T, 415, 425, 440, 550, 565, 575, 590, 592, 595, 4225, 4235, 4240, 4245, 4255, 4265, 4315, 4320, 4325, 4335, 4345, 4355
24	S.40762 Gear Pinion 33 Teeth (17 Spline)	180415M1	133, 135, 140, 145, 148, 152, 155, 165, 165MKIII, 168, 185, 188, 230, 231, 235, 240, 240S, 243, 245, 250, 253, 261, 263, 265, 265S, 275, 285, 285S, 290, 350, 355, 360, 362, 365, 375, 375E, 390, 390E, 390T, 396, 425, 435, 440, 550, 565, 575, 590, 4225, 4235, 4240, 4245, 4255, 4265, 4315, 4320, 4325, 4335, 4345, 4355
24	S.42154 Gear 33 Teeth	1617923M1	285, 290, 592, 595
25	S.40763 Gear Pinion 23 Teeth (17 Spline)	180419M1	133, 135, 140, 145, 148, 152, 155, 165, 165MKIII, 168, 185, 188, 230, 231, 235, 240, 240S, 243, 245, 250, 253, 261, 263, 265, 265S, 275, 285, 285S, 290, 350, 355, 360, 362, 365, 375, 375E, 390, 390E, 390T, 396, 425, 435, 440, 550, 565, 575, 590, 4225, 4235, 4240, 4245, 4255, 4265, 4315, 4320, 4325, 4335, 4345, 4355
26	S.40785c Bearing	195493M130082 52X13000781X1 1675274M1	133, 135, 135E, 135F, 140, 145, 148, 152, 155, 158, 165, 165MKIII, 168, 185, 188, 230, 231, 235, 240, 240S, 243, 245, 250, 253, 261, 263, 265, 265S, 275, 285, 285S, 290, 355, 360, 362, 365, 375, 375E, 390, 390E, 390T, 396, 550, 565, 575, 590, 592, 595, 4225, 4235, 4240, 4245, 4255, 4265, 4315, 4320, 4325, 4335, 4345, 4355
26	S.40757b Bearing	195507M1	Industrial 40B
27	S.41508 Gasket	181237M1	133, (135 Single Clutch), 135E, 135F, 140, 145, 152, 155, 235, 245, 250, 265, 275, 285, 290, 575, 590, 595
28	S.40809 O'Ring	883621M1 1004633M1 2415813	133, 135E, 135F, 140, 145, (148>605134), 155, 165, 168, 185, 188, 230, 235, 240, 240S, 245, 250, 253, 255, 261, 263, 265, 275, 285, 290, 350, 355, 360, 362, 365, 375, 375E, 390, 390E, 396, 415, 425, 435, 440, 445, 550, 565, 575, 590, 4225, 4235, 4240, 4245, 4255, 4265, 4315, 4320, 4325, 4335, 4345, 4355
29	S.41627 External Circlip 31.3 x 26.4 x 1.3mm	899385M1	133, 135, 135E, 135F, 140, 145, 148, 152, 155, 165, 168, 185, 188, 230, 235, 240, 240S, 243, 245, 250, 253, 263, 265, 265S, 275, 285, 285S, 290, 375E, 350, 355, 360, 362, 365, 375, 390, 390E, 390T, 415, 425, 435, 440, 550, 565, 575, 590, 592, 595, 4225, 4235, 4240, 4315, 4320, 4325, 4335, 4345, 4355

	Description	OEM Ref:	Applications
30	S.41625 Internal Circlip 79.5 x 71.4 x 2.4mm	355988X1	133, 135, 135E, 135F, 140, 145, 148, 152, 155, 158, 165, 165MKIII, 168, 185, 188, 230, 235, 240, 240S, 243, 245, 250, 253, 263, 265, 265S, 285, 285S, 290, 350, 355, 360, 362, 365, 375, 375E, 390, 390E, 390T, 396, 425, 435, 440, 550, 565, 575, 590, 592, 595, 4225, 4235, 4240, 4245, 4255, 4265, 4315, 4320, 4325, 4335 (133, 135 Dual Clutch), 140, 148, 152, , 158F, 158S, 165, 168, 230, 240, 250, 253, 255, 265, 275, 290, 298, 340, 342, 350, 352, 355, 360, 362, 362N, 365, 372, 375, 382, 382N, 390, 390T, 398, 399, 550, 565, 575, 590, 595, 675, 690, 698, 699, 1200 Industrial 20C, 20D, 20F, 40B, 50C
31	S.18443 Deep Groove Ball Bearing Series: RMS 9. I/D: 1.1250". O/D: 2.8125". Width: 0.8125".	899377M3, 3760514M1, 899377M2	(133, 135 Dual Clutch), 140, 148, 152, , 158F, 158S, 165, 168, 230, 240, 250, 253, 255, 265, 275, 290, 298, 340, 342, 350, 352, 355, 360, 362, 362N, 365, 372, 375, 382, 382N, 390, 390T, 398, 399, 550, 565, 575, 590, 595, 675, 690, 698, 699, 1200 Industrial 20C, 20D, 20F, 40B, 50C
32	S.41509 Gasket (Layshaft Bearing Housing)	180432M1	(133, 135, 135E, 135F, 140 Dual Clutch), 145, 148, 152, 155, 158, 165, 168, 185, 188, 230, 231, 235, 240, 240S, 243, 245, 250, 253, 261, 263, 265, 265S, 275, 285, 285S, 290, 350, 355, 360, 362, 365, 375, 375E, 390, 390E, 390T, 396, 415, 425, 435, 440, 550, 565, 575, 590, 592, 595, 4225, 4235, 4240, 4245, 4255, 4265, 4315, 4320, 4325, 4335, 4335, 4345, 4355
33	S.41628 External Circlip 38.2 x 31.7 x 1.6mm	358913X1	133, 135, 135E, 135F, 140, 145, 148, 152, 155, 158, 165, 165MKIII, 168, 185, 188, 230, 231, 235, 240, 240S, 243, 245, 250, 253, 261, 263, 265, 265S, 275, 285, 285S, 290, 350, 362, 365, 365, 375, 375E, 390, 390E, 390T, 396, 415, 425, 435, 440, 550, 565, 575, 590, 592, 595, 4225, 4235, 4240, 4245, 4255, 4265, 4315, 4320, 4325, 4335, 4335, 4345, 4355
34	S.40792 PTO Gear 53 Teeth (15 Spline)	899329M1, 1867820M1	133, (135>439191), 140, 145, (148>605134), (152>M137118), 155, (185>317618), (188>358839)
34	S.107352 Gear	9004882M1	(425 2WD >238493), (425 4WD >237827), (435 2WD >236380), (435 4WD >236060), (440 2WD >236369), (440 4WD >236556), (445 2WD >BS035008), (445 4WD >236223), (460 2WD >239117), (460 4WD >236903), 5335, 5340, 5355, 5360, (275 Brazil), (283 Brazil), (290 Brazil), (292 Brazil)
34	S.40793 PTO Gear 53 Teeth (21 Spline)	1868532M1	(135 439191>), (148 605134>), (165 130773>), (168 55118>), (185 317618>), (188 358839>), 235, 240S, 245, 250, 265, 265S, 275, 285, 285S, 375E, 550, 565, 575
35	S.41856 Reverse Cluster Shaft	180445M1	133, 135, 135E, 135F, 140, 145, 148, 152, 155, 158, 165, 165MKIII, 168, 185, 188, 230, 231, 235, 240, 240S, 243, 245, 250, 253, 261, 263, 265, 265S, 285, 285S, 290, 350, 355, 360, 362, 365, 375, 390, 390E, 390T, 396, 415, 425, 435, 440, 550, 565, 575, 590, 592, 595, 4225, 4235, 4240, 4245, 4255, 4265, 4315, 4320, 4325, 4335, 4345, 4355
36	S.41794 Reverse Cluster Washer	183037M1	133, 135, 135E, 135F, 140, 145, 148, 155, 165, 165MKIII, 168, 185, 188, 230, 231, 235, 240, 240S, 243, 245, 250, 253, 261, 263, 265, 265, 265S, 275, 285, 285S, 290, 350, 355, 360, 362, 365, 375, 375E, 390, 390E, 390T, 396, 415, 425, 435, 440, 550, 565, 575, 590, 592, 595, 1105, 1135, 1155, 4225, 4235, 4240, 4245, 4255, 4265, 4315, 4320, 4325, 4335, 4345, 4355
37	S.41796 Needle Bearing - Kit (56 pieces)	183039M1	133, 135, 135E, 135F, 140, 145, 148, 155, 165, 165MKIII, 168, 185, 188, 230, 231, 235, 240, 240S, 243, 245, 250, 253, 261, 263, 265, 265, 265S, 275, 285, 285S, 290, 350, 355, 360, 362, 365, 375, 375E, 390, 390E, 390T, 396, 415, 425, 435, 440, 550, 565, 575, 590, 592, 595, 1105, 1135, 1155, 4225, 4235, 4240, 4245, 4255, 4265, 4315, 4320, 4325, 4335, 4345, 4355
38	S.41795 Spacer Washer	183038M1	133, 135, 135E, 135F, 140, 145, 148, 152, 155, 158, 165, 165MKIII, 168, 185, 188, 230, 231, 235, 240, 240S, 243, 245, 250, 253, 261, 263, 265, 265S, 275, 285, 285S, 290, 350, 355, 360, 362, 365, 375, 375E, 390, 390E, 390T, 396, 415, 425, 435, 440, 550, 565, 575, 590, 4225, 4235, 4240, 4245, 4255, 4265, 4315, 4320, 4325, 4335, 4345, 4355
39	S.40787 Needle Bearing - Kit (62 pieces)	830735M91	135, 148, 165, 168, 185, 188, 230, 231, 240, 243, 250, 253, 261, 263, 265, 265S, 275, 285S, 290, 350, 355, 360, 362, 365, 375, 375E, 390, 390E, 390T, 396, 415, 550, 565, 575, 590, 4225, 4235, 4240, 4245, 4255, 4265, 4315, 4320, 4325, 4335, 4345, 4355
40	S.40788 Reverse Gear Cluster	183040M1	133, 135, 135E, 135F, 140, 145, 148, 152, 155, 158, 165, 165MKIII, 168, 185, 188, 230, 231, 235, 240, 243, 240S, 245, 250, 253, 261, 263, 265, 265S, (275 21T/13T), 285, 285S, 290, 350, 355, 360, 362, 365, 375, 375E, 390, 390E, (390T, 396>E01398), 415, 425, 435, 440, 550, 565, 575, 590, 4225, 4235, 4240, 4245, 4255, 4265, 4315, 4320, 4325, 4335, 4345, 4355
41	S.42139 Layshaft Bearing Housing	899331M1	133, 135, 140, 148, 152, 165, 168, 230, 240, 250, 253, 265, 275, 290, 350, 355, 360, 362, 365, 375, 390, 390T, 550, 565, 575, 590 Industrial 20C, 20D, 20F, 50C, 50D, 50F
42	S.42140 Shaft 21 Spline, Length: 406.4mm	1868533M1	(135 Dual Clutch), (148 604258>), 155, 158, (165 130773>), (168 255118>), (185 317618>), (188 358839>), 230, 231, 235, 245, 250, 253, 263, 275, 285, 290, 350, 355, 360, 362, 365, 375, 390, 390T, 415, 425, 435, 440, 550, 560, 565, 575, 590, 595
42	S.43440 PTO Drive Shaft Length: 557.5mm, 21 Spline)	1869279M1	240, 243, 245, 250, 253, 263, 350, 355, 360, 362, 365, 375, 390, 390E, 390T, 396, 592, 595
43	S.107343 Washer	189449M1	133/135 MKIII/135 V, 135/148 MKIII/135/145 V/S (FR), 145 MKIII/145 V, 152 MKII/152 F, 152 MKIII/152 V/S, 158 MKIII/158 F, 158 MKIII/158 S, 158 MKIII/158 V, 165, 165/168/185/188, 168 MKIII/168 F, 168 MKIII/168 S, 168, 185, 188, (240 522354> / >A20286), (240 >522353), 250, (250X Brazil), 255, 260, 265, (265 193552>), (265 >193552), (265 Brazil), 275, (275 221522>), (275 >221522), (275 Brazil), 285, 290, (290 387021>), (290 >387020), 298 (GB), 298 (FR), 415, (425 2WD >238493), (425 4WD >237827), (435 2WD >236380), (435 4WD >236060), (440 2WD >236369), (440 4WD >236556), (445 2WD >BS035008), (445 4WD >236223), (460 2WD >239117), (460 4WD >236903), (465 4WD >236367), (475 4WD >238868), 481 (Japan Only), 492 (Japan Only), 560, 565, 575 (FR), 575 (GB), 575/590 (FR), 590 (FR), 590 (GB), 592 (FR), 595/595 MKII (FR), 650 (BR for EAME), 660 (BR for EAME), 675 (>1984), 675 (1984>), 680, 690 (1984>), 690 (>1984), 698 T (1984>), 698 (1984>), 698 (>1984), 699, 1080, 1200, 1250
44	S.107350 Cover	883620M1	(250X Brazil), (283 Brazil), (275 Brazil), (290 Brazil), (292 Brazil), (297 Brazil), (298 Brazil), (299 Brazil), (410/420), (415), (425 2WD >238493), (425 4WD >237827), (435 2WD >236860), (435 4WD >236060), (440 2WD >236369), (440 4WD >236556), (445 2WD >BS035008), (445 4WD >236223), (460 2WD >239117), (460 4WD >236903), (465 4WD >236367), (475 4WD >238868)
45	S.107347 Circlip (8 Spd)	516503M1	(440 2WD >236369), (440 4WD >236556), (460 2WD >239117), (460 4WD >236903)

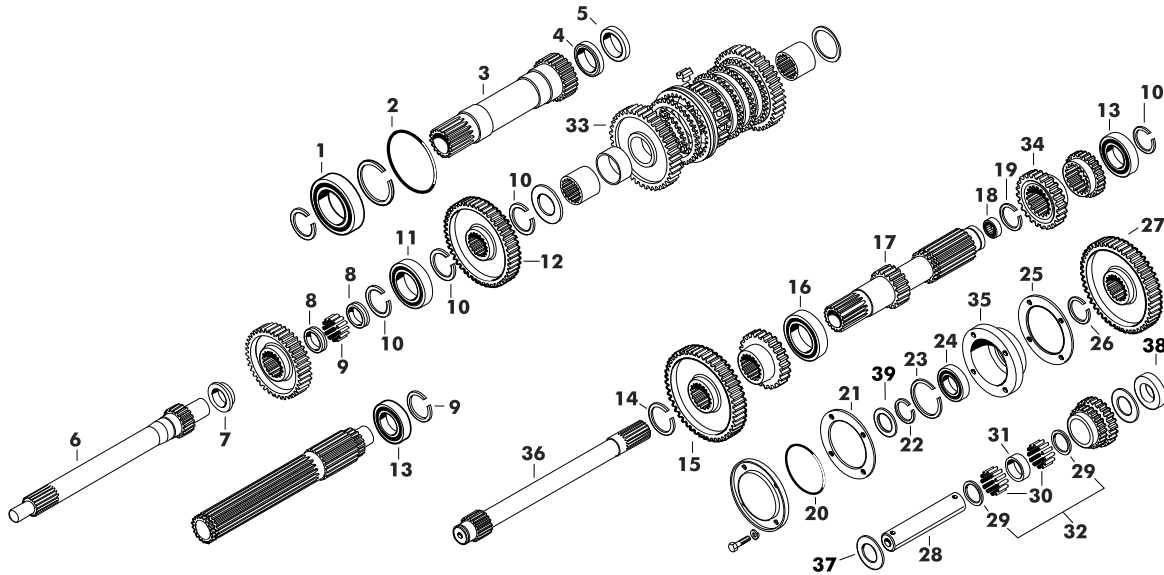
MF05



MF05



	Description	OEM Ref:	Applications
1	S.18076 Deep Groove Ball Bearing Series: 6210. Type: ZZ. I/D: 50mm. O/D: 90mm. Width: 20mm.	391128X1	35, 35X, 50E, 50EX, 65, 133, 135, 140, 145, 148, 152, 155, 158, 165, 168, 175, 178, 185, 188, 230, 235, 240, 243, 245, 250, 253, 255, 260, 263, 265, 275, 285, 290, 298, 340, 342, 350, 352, 355, 360, 362, 365, 372, 375, 382, 390, 396, 398, 399, 415, 440, 550, 560, 565, 575, 590, 592, 595, 675, 690, 698, 699, 765, 1004, 1080, 1200, 1250, 4215, 4220, 4225, 4235, 4240, 4245, 4255, 4260, 4265, 4270, 4315, 4320, 4325, 4335, 4345, 4355, 4360, 4365, 4370, 5335, 5340, 5355, 5360, 5365
2	S.41331 O'Ring - Gearbox Input Housing (Material: Nitrile Rubber 70° shore hardness. For general use at temperatures: -40°C to +135°C.). BS045	886089M1	133, 135MKIII, 135E, 135F, 135V, 140, 145MKIII, 148, 148MKIII, 152, 152MKIII, 152F, 155, 158, 158MKIII, 158F, 168MKIII, 168F, 168S, 235, 240, 245, 250, 255, 275, 285, 290, 340, 342, 350, 352, 355, 360, 362, 365, 375, 390, 560, 590, 4225, 4235, 4240, 4245, 4255, 4265, 4345, 4355, 5335, 5340, 5355, 5360, 5365
3	S.40775 PTO Input Shaft 17 Teeth, 25 Spline	1868530M91, 1868531M1	133, 135MKIII, 135E, 135F, 135V, 140, 145MKIII, 145V, (148 605134>), 152, 152MKIII, 152F, 155, 158, 158MKIII, 158F, 158S, 158V, (165 130773>), 168MKIII, 168F, 168S, 235, 245, 250, 255, 260, 265, 275, 285, 560, 575, 590
3	S.41862 PTO Input Shaft 16 Teeth, 25 Spline	1671704M91, 1671705M1	240, 250, 253, 290, 340, 342, 350, 352, 355, 360, 362, 365, 375, 390, 415, 4225, 4235, 4240, 4245, 4255, 4265, 4325, 4335, 4345, 4355
3	S.42239 PTO Input Shaft 20 Teeth, 25 Spline	1869712M91	290, 355, 360, 362, 365, 375, 390, (390T B18009>), 590
3	S.60098 PTO Input Shaft 25 Teeth	532060M91	595
4	S.40748 PTO Input Shaft Seal	1860011M1, 9004880M91	133, 135, 140, 145, 152MKIII, 152F, 152S, 152V, 158MKIII, 158F, 158S, 158V, 168MKIII, 168F, 168S, 230, 235, 240, 240S, 245, 250, 253, 255, 260, 265, 285, 290, 340, 342, 350, 352, 355, 360, 362, 365, 375, 390, 390E, 415, 560, 590, 595, 675, 4225, 4235, 4240, 4245, 4255, 4265, 4325, 4335, 4345, 4355
5	S.73502 Thrust Washer - Transmission	964929M1	133, 135, 140, 148, 152, 152 MKIII, 152F, 152S, 152V, 158, 158 MKIII, 158F, 158S, 158V, 165, 168, 168 MKIII, 168F, 168S, 185, 188, 230, 235, 240, 240S, 245, 250, 253, 255, 260, 265, 275, 285, 290, 340, 342, 390E, 415, 560, 565, 575, 590, 595, (675>84)
6	S.40778 Pinion Mainshaft Input Drive 24 Teeth	964925M3	135, 148MKIII, 145V, 152, 152MKIII, 152F, 155, 158, 158MKIII, 158F, 152S, 168MKIII, 168F, 168S, 250, 255, 260, 265, 275, 285, 560, 575
6	S.42151 Mainshaft 26 Teeth	1862423M3	253, 255, 590
6	S.42238 Mainshaft 25 Teeth	908493M3	275, 285, 290, 575, 590, 595
6	S.43436 Mainshaft (Transmission) 6/21 Spline	1692502M2	5335, 5340, 5355, 5360, 5365
6	S.43437 Mainshaft 21 Spline	1693790M2	352, 350, 355, 360, 362, 365, 375, 390, 4225, 4235, 4240, 4245, 4255, 4265, 4325, 4335, 4345, 4355
7	S.41861 Thrust Washer Distance Piece	964944M1	133, 135E, 135F, 135MKIII, 135V, 140, 145MKIII, 145V, 152, 152MKIII, 152F, 155, 158, 158MKIII, 158F, 158S, 158MKIII, 168MKIII, 168F, 168S, 235, 240, 245, 250, 253, 255, 260, 265, 275, 285, 290, 340, 342, 350, 352, 355, 360, 362, 365, 375, 390, 415, 560, 575, 590, 595, 4225, 4235, 4240, 4245, 4255, 4265, 4325, 4335, 4345, 4355
8	S.41805 Spacer	2700274M1	133, 135E, 135F, 135MKIII, 135V, 140, 145MKIII, 145V, 148MKIII, 152, 152MKIII, 152F, 155, 158, 158MKIII, 158F, 158S, 168MKIII, 168F, 168S, 235, 240, 245, 250, 253, 260, 265, 275, 285, 290, 340, 342, 350, 352, 355, 360, 362, 365, 375, 390, 415, 560, 575, 590, 595, 4225, 4235, 4240, 4245, 4255, 4265, 4325, 4335, 4345, 4355

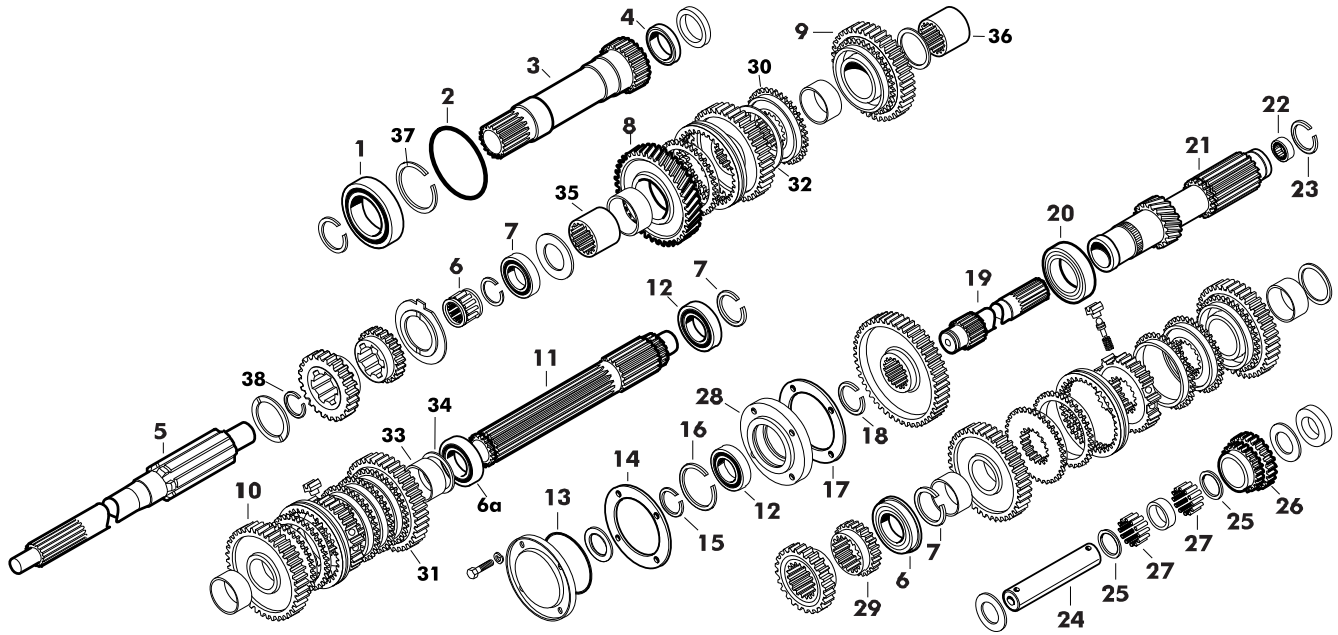


MF05

	Description	OEM Ref:	Applications
9	S.40783 Needle Bearing I/D: 1" . O/D: 1 5/16" . Depth: 1"	2700273M1	133, 135MKIII, 135E, 135F, 135V, 140, 145MKIII, 145V, 148MKIII, 152MKIII, 152F, 158MKIII, 158F, 158S, 158V, 168MKIII, 168F, 168S, 235, 240, 245, 250, 253, 255, 260, 265, 275, 285, 340, 342, 350, 352, 355, 360, 362, 365, 375, 390, 415, 425, 560, 575, 590, 4225, 4235, 4240, 4245, 4255, 4260, 4325, 4335, 4345, 4355, 5335, 5340, 5355, 5360, 5360
10	S.41623 Internal Circlip 55.6 x 46.1 x 2.4mm	195363M1	133, 135E, 135F, 135MKIII, 135V, 140, 145MKIII, 145V, 148MKIII, 152, 152MKIII, 152F, 158, 158MKIII, 158F, 158S, 168MKIII, 168F, 168S, 235, 240, 245
11	S.40782 Bearing	338552X1	133, 135MKIII, 135V, 145MKIII, 145V, 152MKIII, 155, 158, 158MKIII, 158F, 158S, 165MKIII, 168MKIII, 168F, 168S, 235, 240, 245, 250, 253, 255, 260, 265, 275, 285, 290, 340, 342, 350, 352, 355, 360, 362, 365, 375, 390, 575, 590, 595, 4225, 4235, 4240, 4245, 4255, 4265, 4325, 4335, 4345, 4355
12	S.40750 Gear (1st) 44 Teeth	520700M2, 520700M4, 1682688M1	133, 135MKIII, 135V, 145MKIII, 145V, 148MKIII, 152, 152MKIII, 152F, 152S, 152V, 158MKIII, 158F, 158S, 158V, 168MKIII, 168F, 168S, 230, 235, 240, 240S, 245, 250, 253, 255, 260, 265, 275, 285, 290, 340, 342, 350, 352, 355, 360, 362, 365, 375, 390, 390E, 560, 575, 590, 675, 4225, 4235, 4240, 4245, 4255, 4265, 4315, 4320, 4325, 4335, 4345, 4355
13	S.40785 Bearing - Input Housing	195493M1, 3008252X1, 3000781X1, 1675274M1	133, 135MKIII, 135E, 135F, 140, 145MKIII, 145V, 152, 152MKIII, 152F, 158, 158MKIII, 158F, 158S, 168MKIII, 168F, 168S, 235, 240, 245, 253, 255, 260, 265, 275, 285, 290, 340, 342, 350, 352, 355, 360, 362, 365, 375, 390, 415, 550, 560, 575, 590, 4225, 4235, 4240, 4245, 4255, 4265, 4325, 4335, 4345, 4355, 5335, 5340, 5355, 5360, 5365
14	S.41624 External Circlip 60 x 50.2 x 4.8mm	195499M1	133, 135MKIII, 135V, 145MKIII, 145V, 148MKIII, 152, 152MKIII, 152F, 155, 158, 158MKIII, 158F, 168MKIII, 168F, 168S, 235, 240, 243, 245, 250, 253, 255, 260, 265, 275, 290, 340, 342, 350, 352, 355, 360, 362, 365, 390, 415, 575, 590, 595, 4225, 4235, 4240, 4245, 4255, 4265, 4325, 4335, 4345, 4355
15	S.41537 Gear 45 Teeth	906469M1	152, 152MKIII, 152F, 155, 158, 158MKIII, 158F, 158S, 168MKIII, 168F, 168S, 250, 255, 260, 265, 275, 285, 560, 575
16	S.40757 Deep Groove Bearing (6211 ZZ) I/D = 55mm. O/D = 100mm. Depth = 21mm. Supercedes S.18077	195507M1	133, 135, 140, 152, 152MKIII, 152F, 152S, 152V, 158, 168MKIII, 168F, 168S, 230, 235, 240, 240S, 245, 250, 253, 255, 260, 265, 275, 285, 290, 340, 342, 350, 352, 355, 360, 362, 365, 375, 390, 390E, 415, 560, 565, 575, 590, 595, 675, 4225, 4235, 4240, 4245, 4255, 4265, 4325, 4335, 4345, 4355
16	S.43447 Countershaft Bearing	3003372X1	MF 285, 290, 298, 390, 390T, 575, 590, 5335, 5340, 5355, 5360, 5365
17	S.40759 Countershaft 15 Teeth, 17/20 Spline	906472M2, 906743M92, 1660916M91	133, 135E, 135F, 140, 145MKIII, 145V, 155, 158, 158MKIII, 158F, 158S, 168MKIII, 168F, 168S, 235, 240, 245, 250, 253, 255, 260, 265, 275, 285, 340, 342, 350, 355, 360, 362, 365, 375, 390, 415, 560, 575, 590, 595, 4225, 4235, 4240, 4245, 4255, 4265, 4325, 4335, 4345, 4355
18	S.40761 Needle Bearing I/D: 1 3/8" . O/D: 1 5/8" . Depth: 1/2"	195453M1	133, 135, 140, 145MKIII, 145V, 152MKIII, 158MKIII, 158F, 158S, 158V, 168MKIII, 168F, 168S, 235, 240, 245, 250, 253, 255, 260, 265, 275, 285, 290, 340, 342, 350, 352, 360, 362, 365, 375, 390, 390T, 415, 560, 575, 590, 592, 595, 4225, 4235, 4240, 4245, 4255, 4265, 4325, 4335, 4345, 4355, 5335, 5340, 5355, 5360, 5365
19	S.41632 External Circlip 62.7 x 51.6 x 2.8mm	195500M1	133, 135, 135MKIII, 135V, 140, 145MKIII, 145V, 148MKIII, 152, 152MKIII, 152F, 155, 158, 158MKIII, 158F, 158S, 168MKIII, 168F, 168S, 235, 240, 245, 250, 253, 255, 260, 265, 275, 285, 290, 340, 342, 350, 352, 355, 360, 362, 365, 375, 415, 425, 440, 560, 575, 590, 595, 4225, 4235, 4240, 4245, 4255, 4265, 4325, 4335, 4345, 4355, 5335, 5340, 5355, 5360, 5365
20	S.40809 O'Ring	883621M1, 1004633M1, 2415813	133, 135MKIII, 135V, 235, 240, 243, 245, 250, 253, 263, 275, 285, 290, 340, 342, 350, 352, 355, 360, 362, 365, 375, 390, 390T, 590, 4225, 4235, 4240, 4245, 4255, 4265, 4325, 4335, 4345, 4355, 5335, 5340, 5355, 5360, 5365
21	S.41508 Gasket (Layshaft Bearing Housing)	181237M1	133, 135, 135E, 135F, 135MKIII, 135V, 140, 145MKIII, 145V, 148MKIII, 152MKIII, 152F, 155, 158, 158MKIII, 158F, 158S, 168MKIII, 168F, 168S, 235, 240 (IPTO), 245, 250, 255, 260, 265, 275, 285, 290, 415, 560, 575, 590, 592, 595
22	S.41627 External Circlip 31.3 x 26.4 x 1.3mm	899385X1, 899385M1	133, 135, 135MKIII, 135V, 140, 145MKIII, 145V, 152, 152MKIII, 152F, 158MKIII, 158F, 158S, 168MKIII, 168F, 168S, 235, 240, 245, 250, 253, 255, 260, 275, 285, 290, 340, 342, 350, 352, 355, 360, 362, 365, 375, 375E, 390, 396, 415, 560, 575, 590, 595, 4225, 4235, 4240, 4245, 4255, 4265, 4325, 4335, 4345, 4355, 5335, 5340, 5355, 5360, 5365
23	S.41625 Internal Circlip 79.5 x 71.4 x 2.4mm	355988X1	133, 135MKIII, 135V, 145MKIII, 145V, 152, 152MKIII, 152F, 158, 158MKIII, 158F, 158S, 168MKIII, 168F, 168S, 235, 240, 245, 250, 253, 255, 260, 265, 275, 285, 290, 340, 342, 350, 352, 355, 360, 362, 365, 375, 390, 415, 440, 560, 575, 590, 4225, 4235, 4240, 4245, 4255, 4265, 4325, 4335, 5335, 5340, 5355, 5360, 5365

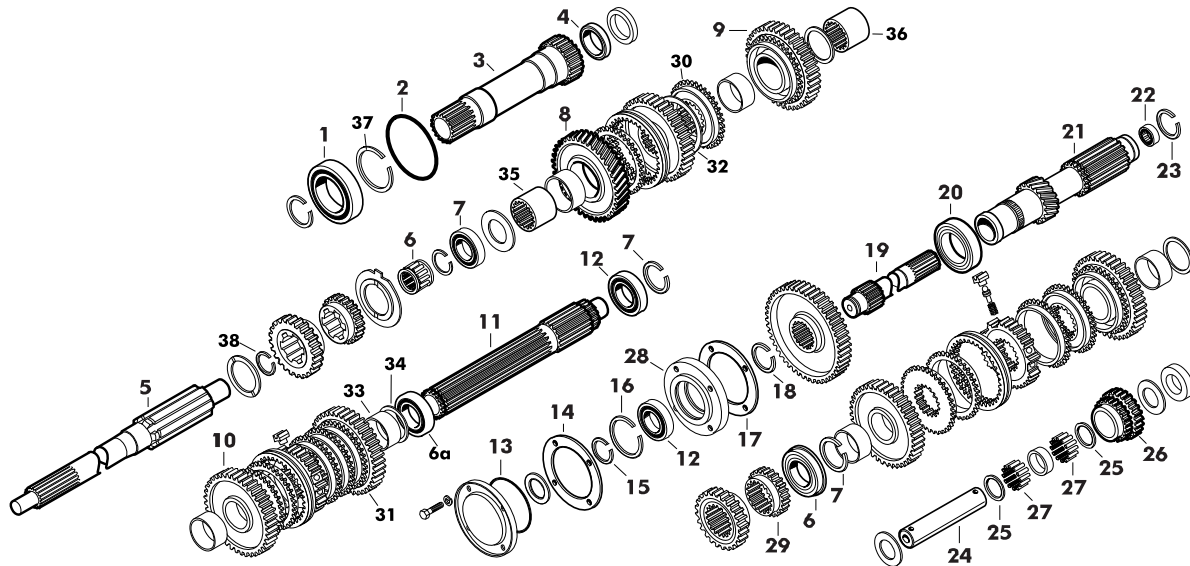
MF05

	Description	OEM Ref:	Applications
24	S.18443 Deep Groove Ball Bearing Series: RMS 9. ID: 1.1250". O/D: 2.8125". Width: 0.8125".	899377M3, 3760514M1, 899377M2	152, 158F, 158S, 230, 240, 250, 253, 255, 265, 275, 290, 340, 342, 350, 352, 355, 360, 362, 362N, 365, 375, 390, 390T, 575, 590, 595, 675, 690
25	S.41509 Gasket (Layshaft Bearing Housing)	180432M1	133, 168MKIII, 168F35MKIII, 135E, 135F, 135V, 140, 145MKIII, 145V, 152, 152MKIII, 152F, 158, 158MKIII, 158F, 158S, 168MKIII, 168F, 168S, 235, 240, 245, 250, 255, 260, 265, 275, 285, 290, 340, 342, 350, 352, 355, 360, 362, 365, 375, 390, 415, 560, 575, 590, 4225, 4235, 4240, 4245, 4255, 4265, 4325, 4335, 4345, 4355, 5335, 5340, 5355, 5360, 5365
26	S.41628 External Circlip 38.2 x 31.7 x 1.6mm	358913X1	133, 135E, 135F, 135MKIII, 135V, 140, 145MKIII, 145V, 152, 152MKIII, 152F, 168MKIII, 168F, 168S, 235, 240, 245, 250, 253, 255, 260, 265, 275, 285, 290, 340, 342, 350, 352, 355, 360, 362, 365, 375, 390, 415, 560, 575, 590, 595, 4225, 4235, 4240, 4325, 4335, 4345, 4355, 5335, 5340, 5355, 5360, 5365
27	S.40793 PTO Gear 53 Teeth (21 Spline)	1868532M1	133, 135 (439191>), 135E, 135F, 140, 145MKIII, 145V, 152, 152MKIII, 152F, 155, 158, 158MKIII, 158F, 158S, 168MKIII, 168F, 168S, 235, 245, 250, 255, 260, 265, 275, 285, 560, 575, 590
28	S.41856 Reverse Cluster Shaft	180445M1	133, 135MKIII, 135E, 135F, 135V, 140, 145MKIII, 145V, 148MKIII, 152, 152MKIII, 152F, 155, 158, 158MKIII, 158F, 158S, 168MKIII, 168F, 168S, 235, 240, 245, 250, 253, 255, 260, 265, 275, 285, 290, 340, 342, 350, 352, 355, 360, 362, 365, 375, 390, 560, 590, 595, 4225, 4235, 4240, 4245, 4255, 4265, 4325, 4335, 4345, 4355
29	S.41794 Reverse Cluster Washer	183037M1	133, 135MKIII, 135V, 145MKIII, 145V, 152, 152MKIII, 152MKIII, 152F, 155, 158, 158MKIII, 158F, 168MKIII, 168F, 168S, 235, 240, 245, 250, 253, 255, 260, 265, 275, 285, 290, 340, 342, 350, 352, 355, 360, 362, 365, 375, 390, 415, 560, 575, 590, 595, 4225, 4235, 4240, 4245, 4255, 4265, 4325, 4335, 4345, 4355
30	S.41796 Needle Bearing - Kit (56 pieces)	183039M1	133, 135MKIII, 135V, 145MKIII, 145V, 152, 152MKIII, 152MKIII, 152F, 155, 158, 158MKIII, 158F, 168MKIII, 168F, 168S, 235, 240, 245, 250, 253, 255, 260, 265, 275, 285, 290, 340, 342, 350, 352, 355, 360, 362, 365, 375, 390, 415, 560, 575, 590, 595, 4225, 4235, 4240, 4245, 4255, 4265, 4325, 4335, 4345, 4355
31	S.41795 Spacer Washer	183038M1	133, 135E, 135F, 135MKIII, 135V, 140, 145MKIII, 145V, 148MKIII, 152, 152MKIII, 152F, 155, 158, 158MKIII, 158F, 158S, 168MKIII, 168F, 168S, 235, 240, 245, 250, 253, 255, 260, 265, 275, 285, 290, 340, 342, 350, 352, 355, 360, 362, 365, 375, 390, 415, 560, 575, 590, 595, 4225, 4235, 4240, 4245, 4255, 4265, 4325, 4335, 4345, 4355
32	S.40787 Needle Bearing - Kit (62 pieces)	830735M91	240, 250, 253, 340, 342, 350, 352, 355, 360, 362, 365, 375, 390, 390E, 4225, 4235, 4240, 4245, 4255, 4265, 4325, 4335, 4345, 4355
33	S.42154 Gear 33 Teeth	1617923M1	275, 285, 290, 590
34	S.42139 Layshaft Bearing Housing	899331M1	152, 158F, 158S, 230, 240, 250, 253, 255, 265, 275, 290, 340, 342, 350, 352, 355, 360, 362, 362N, 365, 375, 390, 390T, 575, 590, 675, 690
35	S.42140 Shaft 21 Spline, Length: 406.4mm	1868533M1	133, 135E, 135F, 135MKIII, 135V, 140, 145MKIII, 145V, 148MKIII, 152, 152MKIII, 158MKIII, 158S, 168MKIII, 168S, 235, 245, 250, 255, 260, 265, 275, 285, 290, 350, 355, 362, 365, 560, 590, 595
36	S.43440 PTO Drive Shaft Length: 557.5mm, 21 Spline)	1869279M1	MF 152 MKIII, 152F, 158 MKIII, 158F, 158S, 168 MKIII, 168F, 168S, 235, 240, 245, 250, 255, 265 (4WD), 275 (4WD), 285 (4WD), 290, 340, 342, 350, 352, 355, 360, 362, 365, 375, 390, 390E, 390T, 415, 560, 575, 590, 595
37	S.107336 Washer (8 Spd)	180458M1	1004 T, 1004, 1080, 1200, 1250, 133/135 MKIII/135 V, 135/148 MKIII/135/145 V/S (FR), 145 MKIII/145 V, 152 MKII/152 F, 152 MKIII/152 V/S, 158 MKIII/158 F, 158 MKIII/158 S, 158 MKIII/158 V, 165, 165/168/185/188, 168 MKIII/168 F, 168 MKIII/168 S, 168, 185, 188, (240 >522354> / >A20286), (240 >522353), 250, 255, 260, 265, (265 >193552>), (265 >193552), 275, (275 >221522>), (275 >221522), 285, 290, (290 >387021>), (290 >387020), 298 (GB), 298 (FR), 415, (425 2WD >238493), (425 4WD >237827), (435 2WD >236380), (435 4WD >236060), (440 2WD >236369), (440 4WD >236556), (445 2WD >BS035008), (445 4WD >236223), (460 2WD >239117), (460 4WD >236903), (465 4WD >236367), (475 4WD >238868), 481 (Japan Only), 492 (Japan Only), 560, 565, 575 (FR), 575 (GB), 575/590 (FR), 590 (FR), 590 (GB), 592 (FR), 595/595 MKII (FR), 650 (BR for EAME), 660 (BR for EAME), 675 (>1984), 675 (1984>), 680, 690 (1984>), 690 (>1984), 698 T (1984>), 698 (1984>), 698 (>1984), 699, (250X Brazil), (265 Brazil), (275 Brazil), (283 Brazil), (290 Brazil)
38	S.107343 Washer	189449M1	133/135 MKIII/135 V, 135/148 MKIII/135/145 V/S (FR), 145 MKIII/145 V, 152 MKII/152 F, 152 MKIII/152 V/S, 158 MKIII/158 F, 158 MKIII/158 S, 158 MKIII/158 V, 165, 165/168/185/188, 168 MKIII/168 F, 168 MKIII/168 S, 168, 185, 188, (240 >522354> / >A20286), (240 >522353), 250, (250X Brazil), 255, 260, 265, (265 >193552>), (265 >193552), (265 Brazil), 275, (275 >221522>), (275 >221522), (275 Brazil), 285, 290, (290 >387021>), (290 >387020), 298 (GB), 298 (FR), 415, (425 2WD >238493), (425 4WD >237827), (435 2WD >236380), (435 4WD >236060), (440 2WD >236369), (440 4WD >236556), (445 2WD >BS035008), (445 4WD >236223), (460 2WD >239117), (460 4WD >236903), (465 4WD >236367), (475 4WD >238868), 481 (Japan Only), 492 (Japan Only), 560, 565, 575 (FR), 575 (GB), 575/590 (FR), 590 (FR), 590 (GB), 592 (FR), 595/595 MKII (FR), 650 (BR for EAME), 660 (BR for EAME), 675 (>1984), 675 (1984>), 680, 690 (1984>), 690 (>1984), 698 T (1984>), 698 (1984>), 698 (>1984), 699, 1080, 1200, 1250
39	S.107349 Ring	881122M2	(265 Brazil), (275 Brazil), (283 Brazil), (290 Brazil), (425 2WD >238493), (425 4WD >237827), (435 2WD >236380), (435 4WD > 236060), (440 2WD > 236369), (440 4WD >236556), (445 2WD >BS035008), (445 4WD >236223), (460 2WD >239117), (460 4WD >236903)



MF05

	Description	OEM Ref:	Applications
1	S.40773 Deep Groove Ball Bearing Bearing - Input Housing	GK2151, 794927M1, 834303M91, 3761292	253, 275, 290, 352, 362, 365, 375, 390, 390T, 396, 398, 399, 675, 690, 698T, 699, 1004, 1004T, 4215, 4220, 4225, 4235, 4240, 4245, 4255, 4260, 4265, 4270, 4315, 4320, 4325, 4335, 4345, 4355, 4360, 4365, 4370, 5335, 5340, 5355, 5360, 5365
1	S.107324 Bearing (12 Spd)	3761292M1	(265 Brazil), (275 Brazil), (290 Brazil), (292 Brazil), (297 Brazil), (298 Brazil), (299 Brazil), (425 2WD >238493), (425 4WD >237827), , (435 2WD >236860), (435 4WD >236060), (440 2WD >236369), (440 4WD >236556), (445 2WD >B5035008), (445 4WD >236223), (460 2WD >239117), (460 4WD >236903), (465 4WD >236367), (475 4WD >238868), (481 (Japan Only), (492 (Japan Only)
2	S.41331 O'Ring - Gearbox Input Housing	886089M1	253, 275, 290, 350, 352, 355, (360>B18008), 362, 365, 375, 390, 390T, 396, 398, 399, 425, 435, 440, 445, 460, 465, 475, 650, 675, 690, 698T, 699, 1004T, 4215, 4220, 4225, 4235, 4240, 4245, 4255, 4260, 4265, 4270, 4315, 4320, 4325, 4335, 4345, 4355, 4360, 4365, 5335, 5340, 5355, 5360, 5365
3	S.43449 IPTO Shaft (20T/25T) 20 Teeth, Length: 98.77mm	1677738M1	355, 360, 362, 365, 375, 390, 390T, 396, 398, 399, 650, (698T 84>), 699, 1004T
3	S.43895 IPTO Shaft	3599579M1	(355, 360, 362, 365, 375, 390, 390T, 396, 398, 399 B33000>), 4215, 4220, 4225, 4235, 4240, 4245, 4255, 4260, 4265, 4270, 4315, 4320, 4325, 4335, 4345, 4355, 4360, 4365, 4370, 5335, 5340, 5355, 5360, 5365
3	S.107326 Shaft Axle Kit (12 Spd)	049834N1, 049834N2	(292 Brazil), (298 Brazil), (425 2WD >238493), (425 4WD >237827), , (435 2WD >236860), (435 4WD >236060), (440 2WD >236369), (440 4WD >236556), (445 2WD >B5035008), (445 4WD >236223), (460 2WD >239117), (460 4WD >236903), (465 4WD >236367), (475 4WD >238868), (481 (Japan Only), (492 (Japan Only)
4	S.40747 Seal - Main Drive Shaft	883935M4	158MKIII, 158F, 158S, 168MKIII, 168F, 168S, 253, 260, 265, 275, 290, 298, 350, 352, 355, 360, 362, 365, 375, 375E, 390, 390E, 390T, 396, 398, 399, 575, 590, 592, 595, 650, 675, 690, 698, 698T, 699, 1004, 1004T, 4215, 4220, 4225, 4235, 4240, 4245, 4255, 4260, 4265, 4270, 4315, 4320, 4325, 4335, 4345, 4355, 4360, 4365, 4370, 5335, 5340, 5355, 5360, 5365
5	S.43436 Mainshaft (Transmission) 6/21 Spline	1692502M2	253, 265S, 285S, (275, 290 C17003>), 350, 352, 355, 360, 362, 365, 375, (375E C17003>), 390, (390E C17003>), 390T, 396, 398, 399, 699, 5335, 5340, 5355, 5360, 5365
5	S.43438 Mainshaft Drive 6/10 Spline)	1677725M2	275, 290, 675, 690, 698T, 1004T
5	S.107323 Input Shaft (12 Spd)	039423P1	(265 Brazil), (275 Brazil), (290 Brazil), (292 Brazil), (297 Brazil), (298 Brazil), (299 Brazil), (425 2WD >238493), (425 4WD >237827), , (435 2WD >236860), (435 4WD >236060), (440 2WD >236369), (440 4WD >236556), (445 2WD >B5035008), (445 4WD >236223), (460 2WD >239117), (460 4WD >236903), (465 4WD >236367), (475 4WD >238868), (481 (Japan Only), (492 (Japan Only)
6	S.40783 Needle Bearing I/D: 1". O/D: 1 5/16". Depth: 1"	2700273M1	158MKIII, 158F, 158S, 168MKIII, 168F, 168S, 265, 265S, 275, 275E, 285, 290, 298, 350, 352, 355, 360, 362, 362N, 365, 372N, 375, 375E, 382N, 390, 390E, 390T, 396, 398, 399, 435, 440, 445, 460, 465, 475, 560, 575, 590, 592, 595, 595MKII, 650, 675, 690, 698, 698T, 699, 1004, 1004T, 4215, 4220, 4225, 4235, 4240, 4245, 4255, 4260, 4265, 4270, 4315, 4320, 4325, 4335, 4345, 4355, 4360, 4365, 4370, 5335, 5340, 5355, 5360, 5365
6	S.107304 Bearing (12 Spd)	3761291M1	(265 Brazil), (275 Brazil), (290 Brazil), (292 Brazil), (297 Brazil), (298 Brazil), (299 Brazil), (425 2WD >238493), (425 4WD >237827), , (435 2WD >236860), (435 4WD >236060), (440 2WD >236369), (440 4WD >236556), (445 2WD >B5035008), (445 4WD >236223), (460 2WD >239117), (460 4WD >236903), (465 4WD >236367), (475 4WD >238868), (481 (Japan Only), (492 (Japan Only)
7	S.40782 Bearing	338552X1	253, 350, 352, 355, 360, 362, 365, 375, 390, 390T, 396, 398, 399, 675, 690, 4215, 4220, 4225, 4235, 4240, 4245, 4255, 4260, 4265, 4270, 4315, 4320, 4325, 4335, 4345, 4355, 4360, 4365, 4370, 5335, 5340, 5355, 5360, 5365
7	S.107315 Bearing (12 Spd)	039544R1	(265 Brazil), (275 Brazil), (290 Brazil), (292 Brazil), (297 Brazil), (298 Brazil), (299 Brazil), (425 2WD >238493), (425 4WD >237827), , (435 2WD >236860), (435 4WD >236060), (440 2WD >236369), (440 4WD >236556), (445 2WD >B5035008), (445 4WD >236223), (460 2WD >239117), (460 4WD >236903), (465 4WD >236367), (475 4WD >238868), (481 (Japan Only), (492 (Japan Only)



MF05

	Description	OEM Ref:	Applications
7	S.107315 Bearing (12 Spd)	039544R1	(265 Brazil), (275 Brazil), (290 Brazil), (292 Brazil), (297 Brazil), (298 Brazil), (299 Brazil), (425 2WD >238493), (425 4WD >237827), (435 2WD >236860), (435 4WD >236060), (440 2WD >236369), (440 4WD >236556), (445 2WD >BS035008), (445 4WD >236223), (460 2WD >239117), (460 4WD >236903), (465 4WD >236367), (475 4WD >238868), (481 Japan Only), (492 Japan Only)
8	S.42534 Gear (1st) - 12 Speed 42 Teeth	1686467M91	158 MKIII, 158F, 158S, 168 MKIII, 168F, 168S, 253, 265, 265S, 275, (285S 4WD), 290, 298, 350, 352, 355, 360, 362, 365, 375, 375E, 390, 390E, 390T, 396, 398, 399, (675, 690, 698T 84>), 699, 1004T
8	S.107318 Gear (12 Spd)	049163N1	(265 Brazil), (275 Brazil), (290 Brazil), (292 Brazil), (297 Brazil), (298 Brazil), (299 Brazil), (425 2WD >238493), (425 4WD >237827), (435 2WD >236860), (435 4WD >236060), (440 2WD >236369), (440 4WD >236556), (445 2WD >BS035008), (445 4WD >236223), (460 2WD >239117), (460 4WD >236903), (465 4WD >236367), (475 4WD >238868), (481 Japan Only), (492 Japan Only)
9	S.42155 Gear (12 Speed) 44 Teeth	1686468M91	253, 350, 352, 355, 360, 362, 365, 375, 390, 390T, 396, 398, 399, (4215, 4220>J08010), (4225, 4235, 4240, 424, 4255, 4260, 4270>K37008)
9	S.107307 Gear (12 Spd) (Up To 2WD 440206C002438 & 4WD 440406C003608)	053355N1	(265 Brazil), (275 Brazil), (290 Brazil), (292 Brazil), (297 Brazil), (298 Brazil), (299 Brazil), (425 2WD >238493), (425 4WD >237827), (435 2WD >236860), (435 4WD >236060), (440 2WD >236369), (440 4WD >236556), (445 2WD >BS035008), (445 4WD >236223), (460 2WD >239117), (460 4WD >236903), (465 4WD >236367), (475 4WD >238868), (481 Japan Only), (492 Japan Only)
10	S.42153 Gear 36 Teeth	1686028M91	350, 352, 355, 360, 362, 365, 375, 390, 390T, 396, 398, 399, 4215, 4220, (4225, 4235, 4240, 4245, 4255, 4260, 4265, 4270>K37008)
10	S.107317 Gear (12 Spd)	053354N1	(290 Brazil), (292 Brazil), (297 Brazil), (298 Brazil), (299 Brazil), (440 2WD >236369), (440 4WD >236556), (445 2WD >BS035008), (445 4WD >236223), (460 2WD >239117), (460 4WD >236903), (465 4WD >236367), (475 4WD >238868), (481 Japan Only), (492 Japan Only)
11	S.43439 Mainshaft (Transmission)	1662224M2	275, 290, 355, 360, 362, 365, 375, 390, 390T, 396, 398, 399, 675, 690
11	S.107308 Shaft (12 Spd)	039542P1	(290 Brazil), (292 Brazil), (297 Brazil), (298 Brazil), (299 Brazil), (440 2WD >236369), (440 4WD >236556), (445 2WD >BS035008), (445 4WD >236223), (460 2WD >239117), (460 4WD >236903), (465 4WD >236367), (475 4WD >238868), (481 Japan Only), (492 Japan Only)
12	S.40785 Bearing - Input Housing	195493M1, 3008252X1, 3000781X1, 1675274M1	253, 275, 290, 350, 352, 355, 360, 362, 365, 375, 390, 390T, 396, 398, 399, 675, 690, 699, 4215, 4220, 4225, 4235, 4240, 4245, 4255, 4260, 4265, 4270, 4315, 4320, 4325, 4335, 4345, 4355, 4360, 4365, 4370, 5335, 5340, 5355, 5360, 5365
13	S.40809 O'Ring	883621M1, 1004633M1, 2415813	253, 275, 290, 350, 352, 355, 360, 362, 365, 375, 390, 390T, 396, 398, 399, 425, 435, 440, 445, 460, 465, 475, 650, 675, 690, 699, 4215, 4220, 4225, 4235, 4240, 4245, 4255, 4260, 4265, 4315, 4320, 4325, 4335, 4345, 4355, 4360, 4365, 4370, 5335, 5340, 5355, 5360, 5365
14	S.41508 Gasket (Layshaft Bearing Housing)	181237M1	675, 690, 699
15	S.41627 External Circlip 31.3 x 26.4 x 1.3mm	899385X1, 899385M1	253, 350, 352, 355, 360, 362, 365, 375, 390, 390T, 396, 398, 399, 425, 435, 440, 445, 460, 465, 475, 650, 675, 690, 699, 4215, 4220, 4225, 4235, 4240, 4245, 4255, 4260, 4265, 4270, 4315, 4320, 4325, 4335, 4345, 4355, 4360, 4365, 4370, 5335, 5340, 5355, 5360, 5365
16	S.41625 Internal Circlip 79.5 x 71.4 x 2.4mm	355988X1	253, 275, 350, 352, 355, 360, 362, 365, 375, 390, 390T, 396, 398, 399, 425, 435, 440, 445, 460, 465, 475, 650, 675, 690, 699, 4215, 4220, 4225, 4235, 4240, 4245, 4255, 4260, 4265, 4270, 4315, 4320, 4325, 4335, 4360, 4365, 4370, 5335, 5340, 5355, 5360, 5365
17	S.41509 Gasket (Layshaft Bearing Housing)	180432M1	253, 275, 290, 350, 352, 355, 360, 362, 365, 375, 390, 390T, 396, 398, 399, 425, 435, 440, 445, 460, 465, 475, 650, 675, 690, 699, 4215, 4220, 4225, 4235, 4240, 4245, 4255, 4260, 4265, 4270, 4315, 4320, 4315, 4320, 4325, 4335, 4345, 4355, 4360, 4365, 4370, 5335, 5340, 5355, 5360
18	S.41628 External Circlip 38.2 x 31.7 x 1.6mm	358913X1	253, 275, 290, 350, 352, 355, 360, 365, 375, 390, 390T, 396, 398, 399, 425, 435, 440, 445, 460, 465, 475, 650, 675, 690, 699, 4215, 4220, 4225, 4235, 4240, 4245, 4255, 4260, 4265, 4270, 4315, 4320, 4325, 4335, 4345, 4355, 4360, 4365, 4370, 5335, 5340, 5355, 5360, 5365
19	S.43440 PTO Drive Shaft Length: 557.5mm, 21 Spline)	1869279M1	158 MKIII, 158F, 158S, 168 MKIII, 168F, 168S, 253, (265 4WD), (285S 4WD), 290, (298 4WD), 350, 352, 355, 360, 362, 365, 375, 390, 390E, 390T, 396, 398, 399, 445, 460, 465, 475, 575, 590, 592, 595, 650, 675 (Low-Ratio), 690, 698, 698T, 699, 1004, 1004T

	Description	OEM Ref:	Applications
20	S.43447 Countershaft Bearing	3003372X1	158 MKIII, 158F, 158S, 168 MKIII, 168F, 168S, 253, 260, 265, 265S, 275, 285, 290, 298, 390E, 350, 352, 355, 360, 362, 365, 375, (375E, 390E P06156<), 390T, 396, 398, 399, 425, 435, 440, 445, 460, 465, 475, 575, 590, 592, 595, 650, 675, 690, 698, (698T 84>), 699, 1004T, 5335, 5340, 5355, 5360, 5365
21	S.41860 Countershaft	1677827M3	350, 352, 355, 360, 362, 365, 375, 390, 390T, 396, 398, 399
21	S.107303 Shaft (12 Spd)	049165N1	(265 Brazil), (275 Brazil), (290 Brazil), (292 Brazil), (297 Brazil), (298 Brazil), (299 Brazil), (425 2WD >238493), (425 4WD >237827), (435 2WD >236860), (435 4WD >236060), (440 2WD >236369), (440 4WD >236556), (445 2WD >BS035008), (445 4WD >236223), (460 2WD >239117), (460 4WD >236903), (465 4WD >236367), (475 4WD >238868), (481 Japan Only), (492 Japan Only)
22	S.40761 Needle Bearing I/D: 1 3/8". O/D: 1 5/8". Depth: 1/2"	195453M1	253, 275, 290, 350, 352, 355, 360, 365, 375, 390, 396, 398, 399, 675, 690, 699, 4215, 4220, 4225, 4235, 4240, 4245, 4255, 4260, 4265, 4270, 4315, 4320, 4325, 4335, 4345, 4355, 4360, 4370
23	S.41632 External Circlip 62.7 x 51.6 x 2.8mm	195500M1	253, 275, 290, 350, 352, 355, 360, 362, 365, 375, 390, 390T, 396, 398, 399, 440, 445, 460, 465, 475, 650, 675, 690, 699, 4215, 4220, 4225, 4235, 4240, 4245, 4255, 4260, 4265, 4270, 4315, 4320, 4325, 4335, 4345, 4355, 4360, 4365, 4370, 5335, 5340, 5355, 5360, 5365
24	S.41856 Reverse Cluster Shaft	180445M1	158MKIII, 158F, 158S, 253, 260, 350, 352, 355, 360, 362, 365, 375, 390, 390T, 396, 398, 399, 425, 435, 440, 445, 460, 465, 475, 650, 675, 690, 699, 4215, 4220, 4225, 4235, 4240, 4245, 4255, 4260, 4265, 4270, 4315, 4320, 4325, 4335, 4345, 4355, 4360, 4365, 4370, 5335, 5340, 5355, 5360, 5365
25	S.41794 Reverse Cluster Washer	183037M1	253, 275, 350, 352, 355, 360, 362, 365, 375, 390, 390T, 396, 398, 399, 425, 435, 440, 445, 460, 465, 475, 650, 675, 690, 699, 4215, 4220, 4225, 4235, 4240, 4245, 4255, 4265, 4265, 4270, 4315, 4320, 4325, 4335, 4345, 4355, 4360, 4365, 4370, 5335, 5340, 5355, 5360, 5365
26	S.43444 Gear Reverse Idler	1688127M1	158 MKIII, 158F, 158S, 168 MKIII, 168F, 168S, 253, 265S, 275, 285S, 290, 350, 352, 355, 360, 362, 365, 375, 375E, 390, 390E, 390T, 396, 398, 399, (675, 690, 698T 84>), 699, 1004
26	S.107306 Gear (12 Spd)	053310P1	(265 Brazil), (275 Brazil), (290 Brazil), (292 Brazil), (297 Brazil), (298 Brazil), (299 Brazil), (425 2WD >238493), (425 4WD >237827), (435 2WD >236860), (435 4WD >236060), (440 2WD >236369), (440 4WD >236556), (445 2WD >BS035008), (445 4WD >236223), (460 2WD >239117), (460 4WD >236903), (465 4WD >236367), (475 4WD >238868), (481 Japan Only), (492 Japan Only)
27	S.41796 Needle Bearing - Kit (56 pieces)	183039M1	253, 275, 350, 352, 355, 360, 362, 365, 375, 390, 390T, 396, 398, 399, 425, 435, 440, 445, 460, 465, 475, 650, 675, 690, 699, 4215, 4220, 4225, 4235, 4240, 4245, 4255, 4265, 4265, 4270, 4315, 4320, 4325, 4335, 4345, 4355, 4360, 4365, 4370, 5335, 5340, 5355, 5360, 5365
28	S.42139 Layshaft Bearing Housing	899331M1	253, 255, 260, 261, 265, 270, 275, 282, 283, 285, 290, 298, 340, 342, 350, 352, 355, 360, 362, 362N, 365, 372N, 375, 382N, 383, 390, 390E, 390T, 393, 396, 398, 399, 670, 675, 690, 698, 698T, 699, 1004T
29	S.42163 Pinion Gear 20 Teeth	1687430M1	253, 350, 352, 355, 360, 362, 365, 375, 390, 390T, 396, 398, 399, 699, 4215, 4220, (4225, 4235, 4240, 4245, 4255, 4260, 4265, 4270>K37008), 4315, 4320, 4325, 4335, 4345, 4355, 4360, 4365, 4370
30	S.107309 Ring (12 Spd)	1686459M1	(265 Brazil), (275 Brazil), (290 Brazil), (292 Brazil), (297 Brazil), (298 Brazil), (299 Brazil), (425 2WD >238493), (425 4WD >237827), (435 2WD >236860), (435 4WD >236060), (440 2WD >236369), (440 4WD >236556), (445 2WD >BS035008), (445 4WD >236223), (460 2WD >239117), (460 4WD >236903), (465 4WD >236367), (475 4WD >238868), (481 Japan Only), (492 Japan Only)
31	S.107310 Gear (12 Spd)	053353N1	(292 Brazil), (297 Brazil), (298 Brazil), (299 Brazil), (440 2WD >236369), (440 4WD >236556), (445 2WD >BS035008), (445 4WD >236223), (460 2WD >239117), (460 4WD >236903), (465 4WD >236367), (475 4WD >238868), (481 Japan Only), (492 Japan Only)
32	S.107311 Bearing (12 Spd)	1663796M1	(265 Brazil), (275 Brazil), (290 Brazil), (292 Brazil), (297 Brazil), (298 Brazil), (299 Brazil), (425 2WD >238493), (425 4WD >237827), (435 2WD >236860), (435 4WD >236060), (440 2WD >236369), (440 4WD >236556), (445 2WD >BS035008), (445 4WD >236223), (460 2WD >239117), (460 4WD >236903), (465 4WD >236367), (475 4WD >238868), (481 Japan Only), (492 Japan Only)
33	S.107312 Sleeve (12 Spd)	039396P1	(265 Brazil), (275 Brazil), (290 Brazil), (292 Brazil), (297 Brazil), (298 Brazil), (299 Brazil), (440 2WD >236369), (440 4WD >236556), (445 2WD >BS035008), (445 4WD >236223), (460 2WD >239117), (460 4WD >236903), (465 4WD >236367), (475 4WD >238868), (481 Japan Only), (492 Japan Only)
34	S.107313 Washer (12 Spd)	1867259M1	(265 Brazil), (275 Brazil), (290 Brazil), (292 Brazil), (297 Brazil), (298 Brazil), (299 Brazil), 415, (425 2WD >238493), (425 4WD >237827), (435 2WD >236860), (435 4WD >236060), (440 2WD >236369), (440 4WD >236556), (445 2WD >BS035008), (445 4WD >236223), (460 2WD >239117), (460 4WD >236903), (465 4WD >236367), (475 4WD >238868), (481 Japan Only), (492 Japan Only)
35	S.107314 Sleeve (12 Spd)	039397P1	(265 Brazil), (275 Brazil), (290 Brazil), (292 Brazil), (297 Brazil), (298 Brazil), (299 Brazil), (425 2WD >238493), (425 4WD >237827), (435 2WD >236860), (435 4WD >236060), (440 2WD >236369), (440 4WD >236556), (445 2WD >BS035008), (445 4WD >236223), (460 2WD >239117), (460 4WD >236903), (465 4WD >236367), (475 4WD >238868), (481 Japan Only), (492 Japan Only)
36	S.107319 Sleeve (12 Spd)	039398P1	(265 Brazil), (275 Brazil), (290 Brazil), (292 Brazil), (297 Brazil), (298 Brazil), (299 Brazil), (425 2WD >238493), (425 4WD >237827), (435 2WD >236860), (435 4WD >236060), (440 2WD >236369), (440 4WD >236556), (445 2WD >BS035008), (445 4WD >236223), (460 2WD >239117), (460 4WD >236903), (465 4WD >236367), (475 4WD >238868), (481 Japan Only), (492 Japan Only)
37	S.107325 Circlip (12 Spd)	377631X1	(265 Brazil), (275 Brazil), (290 Brazil), (292 Brazil), (297 Brazil), (298 Brazil), (299 Brazil), 415, (425 2WD >238493), (425 4WD >237827), (435 2WD >236860), (435 4WD >236060), (440 2WD >236369), (440 4WD >236556), (445 2WD >BS035008), (445 4WD >236223), (460 2WD >239117), (460 4WD >236903), (465 4WD >236367), (475 4WD >238868), (481 Japan Only), (492 Japan Only)
38	S.107327 Circlip (12 Spd)	358969X1	(265 Brazil), (275 Brazil), (290 Brazil), (292 Brazil), (297 Brazil), (298 Brazil), (299 Brazil), (425 2WD >238493), (425 4WD >237827), (435 2WD >236860), (435 4WD >236060), (440 2WD >236369), (440 4WD >236556), (445 2WD >BS035008), (445 4WD >236223), (460 2WD >239117), (460 4WD >236903), (465 4WD >236367), (475 4WD >238868), (481 Japan Only), (492 Japan Only)
39	S.41623 Internal Circlip	195363M1	275, 290, 355, 360, 362, 365, 375, 390, 390T, 396, 398, 399, 675, 690

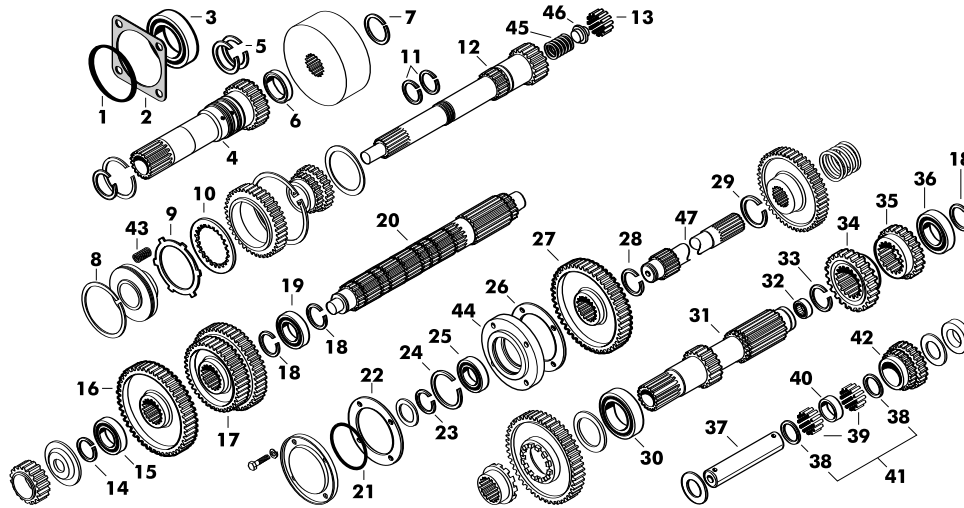
MF05

* = No picture available at time of print.



MF05

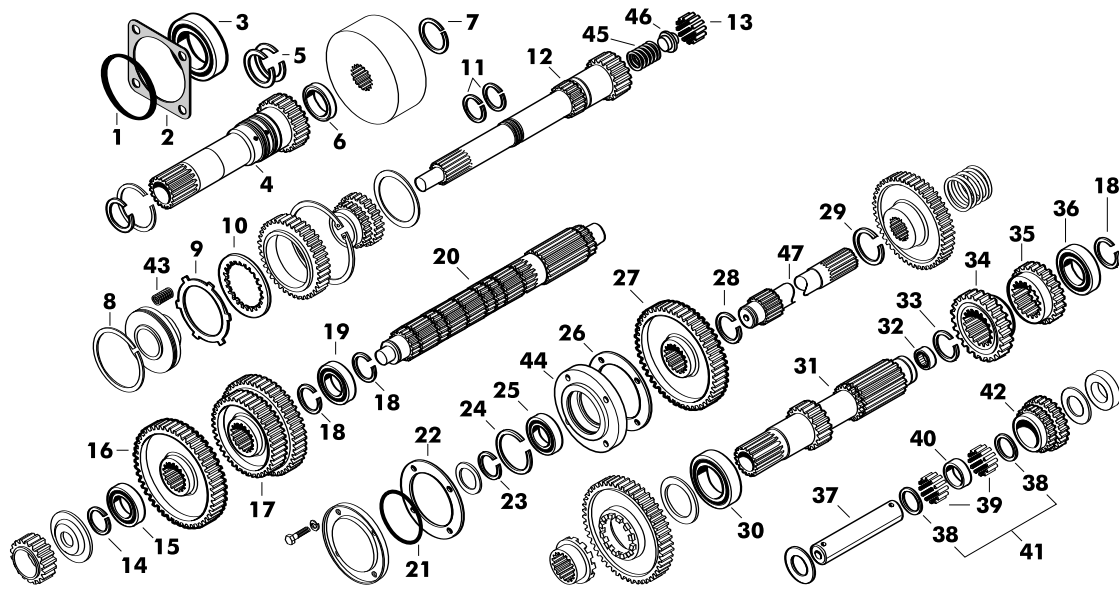
		Description	OEM Ref:	Applications
1	S.41557	Screw - Locking	180002M1, 881144M1	35, 35X, 65, 133, 135, 140, 148, 152, 165, 168, 175, 178, 185, 188, 230, (235 Brazil), 240, 250, (250X Brazil), 253, 265, (265 Brazil), 275, (275 Brazil), 290, (290 Brazil), (292 Brazil), (295 Brazil), (296 Brazil), (297 Brazil), (298 Brazil), (299 Brazil), 340, 342, 350, 352, 355, 360, 362, 362N, 365, 372, 375, 382, 382N, 390, 390T, 398, 399, 415, (425 2WD >238493), (425 4WD >237827), (435 2WD >236860), (435 4WD >236060), (440 2WD >236369), (440 4WD >236556), (445 2WD >BS035008), (445 4WD >236223), (460 2WD >239117), (460 4WD >236903), (465 4WD >236367), (475 4WD >238868), (481 Japan Only), (492 Japan Only), 550, 565, 575, 590, 595, 675, 690, 698, 698T, 699, 1200 Industrial 20C, 20D, 20F, 30B, 30D, 30E, 30H, 40B, 40E, 50, 50A, 50B, 50B MKII, 50C, 50D, 50E, 50E/EX, 50F
*2	S.107329	Fork (12 Speed)	039404P2	(425 2WD >238493), (425 4WD >237827), (435 2WD >236860), (435 4WD >236060), (440 2WD >236369), (440 4WD >236556), (445 2WD >BS035008), (445 4WD >236223), (460 2WD >239117), (460 4WD >236903), (465 4WD >236367), (475 4WD >238868), (481 Japan Only), (492 Japan Only)
*3	S.107328	Fork (12 Speed)	023414R2	(425 2WD >238493), (425 4WD >237827), (435 2WD >236860), (435 4WD >236060), (440 2WD >236369), (440 4WD >236556), (445 2WD >BS035008), (445 4WD >236223), (460 2WD >239117), (460 4WD >236903), (465 4WD >236367), (475 4WD >238868), (481 Japan Only), (492 Japan Only)
*4	S.107301	Rubber Boot (12 Spd)	022008P1	275 (Brazil), 283 (Brazil), 290 (Brazil), 292 (Brazil), 297 (Brazil), 298 (Brazil), 299 (Brazil), (425 2WD >238493), (425 4WD >237827), (435 2WD >236380), (435 4WD >236060), (440 2WD >236369), (440 4WD >236556), (445 2WD >BS035008), (445 4WD >236226), (460 2WD >239117), (460 4WD >236903), (465 4WD >236367), (475 4WD >238868), (481 Japan Only), (492 Japan Only)
5	S.43147	Gear Lever Gaiter (Manual Shuttle)	1694126M3, 022008P1	243, 253, (265 Brazil), (275 Brazil), 2855, (290 Brazil), (292 Brazil), (297 Brazil), (298 Brazil), (299 Brazil), 340, 342, 352, 355, 360, 362, 365, 375, 375E, 390, 390E, 390T, 398, 399, 415, (425 2WD >238493), (425 4WD >237827), (435 2WD >236860), (435 4WD >236060), (440 2WD >236369), (440 4WD >236556), (445 2WD >BS035008), (445 4WD >236223), (460 2WD >239117), (460 4WD >236903), (465 4WD >236367), (475 4WD >238868), (481 Japan Only), (492 Japan Only), 4225, 4235, 4240, 4245, 4255, 4260, 4265, 4270, 4315, 4320, 4325, 4335, 4345, 4355, 4360, 4365, 4370
6	S.41318	Cap - Oil Filler (Transmission)	768300M1	415, (425 2WD >238493), (425 4WD >237827), (435 2WD >236860), (435 4WD >236060), (440 2WD >236369), (440 4WD >236556), (445 2WD >BS035008), (445 4WD >236223)
7	S.40822	Boot - Gear Lever Gaiter	1678565M2, 1678565M3	133, 135, 140, 148, 152, 165, 168, (240, 250, 253, 265, 275, 290 >25/08/93), (340, 350, 360, 362 >B06171), (415), (425 2WD >238493), (425 4WD >237827), (435 2WD >236860), (435 4WD >236060), (440 2WD >236369), (440 4WD >236556), (445 2WD >BS035008), (445 4WD >236223), (460 2WD >239117), (460 4WD >236903), (465 4WD >236367), (475 4WD >238868), (481 Japan Only), (492 Japan Only), 595 Industrial 20C, 20D, 20F, 40B, 50B, 50C, 50D, 50F
8	S.43559	Transmission Rod	3613795M93	275, 290, 362, 365, 375, 390, 390T, 398, 399, 698, 698T, 699, 1004T, 4215, 4220, 4225, 4235, 4240, 4245, 4255, 4260, 4265, 4270, 4315, 4320, 4325, 4335, 4345, 4355, 4360, 4365, 4370, 5335, 5340, 5355, 5360, 5365



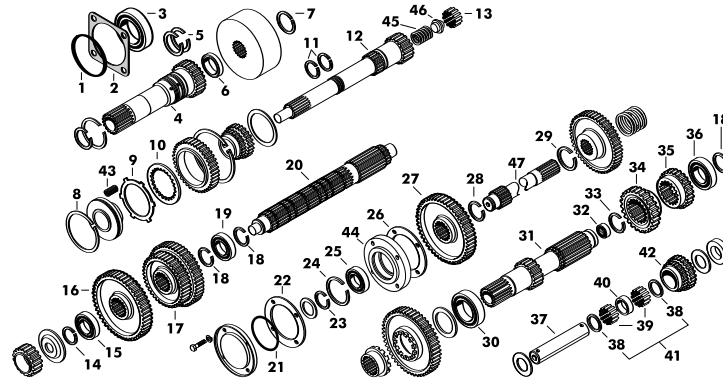
MF05

	Description	OEM Ref:	Applications
1	S.41331 O'Ring - Gearbox Input Housing	886089M1	35, 35X, 65, 135, 145, 148, 152, 155, 158, 165, 165MKIII, 168, 175, 175, 185, 188, 240, 250, 265, 275, 290, 365, 375, 390, 390T, 398, 399, 550, 565, 575, 590, 595, 675, 690, 765, 698, 698T, 699, 1080, 1085, 1200, 1250
2	S.41332 Gasket (Gearbox Input Housing)	180434M1	35, 35X, 65, 835, 765, 865, 133, (135>114809), 135E, 135F, 140, 145, (165>561143), (175>730973), 175S, (178>730973)
3	S.18076 Deep Groove Ball Bearing Series: 6210. Type: ZZ. I/D: 50mm. O/D: 90mm. Width: 20mm.	391128X1	35, 35X, 50E, 50EX, 65, 133, 135, 140, 145, 148, 152, 155, 158, 165, 168, 175, 178, 185, 188, 230, 235, 240, 243, 245, 250, 253, 255, 260, 263, 265, 275, 285, 290, 298, 340, 342, 350, 352, 355, 360, 362, 365, 372, 375, 382, 390, 396, 398, 399, 415, 440, 550, 560, 565, 575, 590, 592, 595, 675, 690, 698, 699, 765, 1004, 1080, 1200, 1250, 4215, 4220, 4225, 4235, 4240, 4245, 4255, 4260, 4265, 4270, 4315, 4320, 4325, 4335, 4345, 4355, 4360, 4365, 4370, 5335, 5340, 5355, 5360, 5365
4	S.40776 PTO Input Shaft 17 Teeth, 10 Spline	899332M91	(65 609714>), 133, (135>439190), 140, 145, (148 605134>), (155, 158), (165>130773), 165MKIII, (168>255118), 175, 175S, 178, (185>317618), (188>358839), (765 609714>)
4	S.60108 PTO Input Shaft 17 Teeth, 25 Spline	1868528M91	(135 439191>), (148 605134>), (155, 158>S.N.), (165 130774>), (168 255119>), (185 317618>), (235, 245>2173012), (188 358839>), 260, (265 193552>), (275>221522)
5	S.60033 Sealing Ring (PTO Input Shaft) Supercedes S.41426	3699909M1, 186198M1, 907315M2	35, 35X, 65, 133, 135, 135E, 135F, 140, 148, 155, 158, 165, 165MKIII, 168, 175, 175S, 178, 185, 188, 235, 240, 245, 260, 265, 275, 285, 290, 298, 365, 375, 390, 390T, 398, 399, 550, 560, 565, 575, 590, 595, 675, 690, 698, 698T, 699, 765, 1080, 1085, 1200, 1250
6	S.40747 Seal - Main Drive Shaft	883935M4	35, 35X, 65, 135, 145, 148, 155, 158, 165, 168, 175, 175S, 178, 185, 188, 240, 250, 260, 265, 275, 285, 290, 365, 375, 390, 390T, 398, 399, 550, 560, 565, 575, 590, 595, 675, 690, 698, 698T, 699, 765, 1080, 1085, 1200, 1250
7	S.41427 Piston Ring (Sealing Ring for Multi Power Clutch Pack)	186580M1	35, 35X, 65, 133, 135, 135E, 135F, 140, 148, 155, 158, 165, 165MKIII, 168, 175, 175S, 178, 185, 188, 235, 240, 245, 260, 265, 275, 285, 290, 298, 365, 375, 390, 390T, 398, 399, 550, 560, 565, 575, 590, 595, 675, 690, 698, 698T, 699, 765, 1080, 1085, 1200, 1250
8	S.41430 Piston Ring (51mm)	185425M1	35, 35X, 133, 135, 135E, 135F, 140, 145, 148, 155, 165, 165MKIII, 175, 175S, 178, 185, 188, 235, 240, 245, 250, 260, 265, 275, 285, 290, 365, 375, 390, 390T, 398, 399, 550, 560, 565, 575, 590, 595, 675, 690, 698, 698T, 699, 1080, 1085, 1200, 1250
9	S.40791 Friction Disc Plate (3 Required per Set)	185464M1	35, 35X, 65, 133, 135, 140, 145, 148, 155, 158, 165, 165MKIII, 168, 175, 175S, 178, 185, 188, 235, 240, 245, 260, 265, 275, 285, 290, 365, 375, 390, 390T, 398, 399, 550, 560, 565, 575, 590, 675, 690, 698, 698T, 699, 765
10	S.40771 PTO Friction Disc (3 required 4WD, 7 required I.P.T.O.)	1870879M1, 190177M1, 1672626M1, 1862289M2	35, 35X, 65, 133, 135, 140, 145, 155, 158, 165, 165MKIII, 168, 175, 175S, 178, 185, 188, 240, 250, 260, 265, 275, 285, 290, 365, 375, 390, 390T, 398, 399, 550, 560, 565, 575, 590, 595, 675, 690, 698, 698T, 699, 765
11	S.60034 Sealing Ring (Main Input Shaft)	186581M1	35, 35X, 65, 133, 135, 140, 145, 148, 155, 158, 165, 165MKIII, 168, 175, 175S, 178, 185, 188, 235, 240, 245, 250, 260, 265, 275, 285, 290, 365, 375, 390, 390T, 398, 399, 550, 560, 565, 575, 590, 595, 675, 690, 698, 698T, 699, 765, 1080, 1085, 1200, 1250
12	S.40790 Mainshaft 32 Spline x 24 Spline x 10 Spline	516523M92	133, 135, 140, 155, 158, (165 114352>), 168, 175, 178, (185 308909>), 188, 250, 260, 265, 275, 285, 290, 560, 565, 575, 590, 595, 675, 690, 1080, 1085
13	S.40784 Needle Bearing I/D: 1". O/D: 1 5/16". Depth: 3/4"	834844M1	(135 418436>), (148 601702>), (165 114352>), (168 251803>), 175, 178, (185 308909>), (188 352835>), (235, 245>2173012), 240, 250, 260, 265, 275, 285, 290, 550, 560, 565, 575, 590, 595, 675, 690, 1080, 1200
13	S.40783 Needle Bearing I/D: 1". O/D: 1 5/16". Depth: 1"	2700273M1	290, 365, 375, 390, 390T, 398, 399, 575, 590, 595, 690, 698, 698T, 699, 1200, 1250
14	S.41626 External Circlip 43.4 x 31 x 1.7mm	352972X1	133, 135, 140, 148, 152, 155, 158, 165, 165MKIII, 168, 185, 188, 235, 240, 245, 250, 260, 265, 275, 285, 290, 550, 560, 565, 575, 590, 595, 675, 690, 1080, 1085, 1200
15	S.40781 Bearing	195505M1, 1866071M1, 1870342M1, 1447681M1, 831469M1	35, 35X, 65, 133, 140, 145, 148, 152, 155, 158, 165, 165MKIII, 168, 175S, 185, 188, 235, 240, 245, 250, 260, 265, 275, 285, 290, 550, 560, 565, 575, 590, 595, 675, 690, 765, 1080, (1085 USA)
15	S.18058 Deep Groove Bearing (6208) I/D: 40mm. O/D: 80mm. Depth: 18mm	339818X1, 0040040	135, 165
15	S.40782 Bearing	338552X1	290, 365, 375, 390, 390T, 398, 575, 590, 595, 690, 698, 698T, 699, 1200, 1250
16	S.40750 Gear (1st) 44 Teeth	520700M2, 520700M4, 1682688M1	65, 133, 135, 140, 148, 155, 165, 168, 175, 178, 185, 188, 240, 250, 260, 265, 275, 285, 290, 550, 560, 565, 575, 590, 675, 690, 1080, 1085, 1200
17	S.40752 Gear 36 Teeth/46 Teeth (18 Spline)	891904M1	35, 65, 133, 135, 140, 155, 168, 175, 175S, 178, 185, 188, 765

MF05



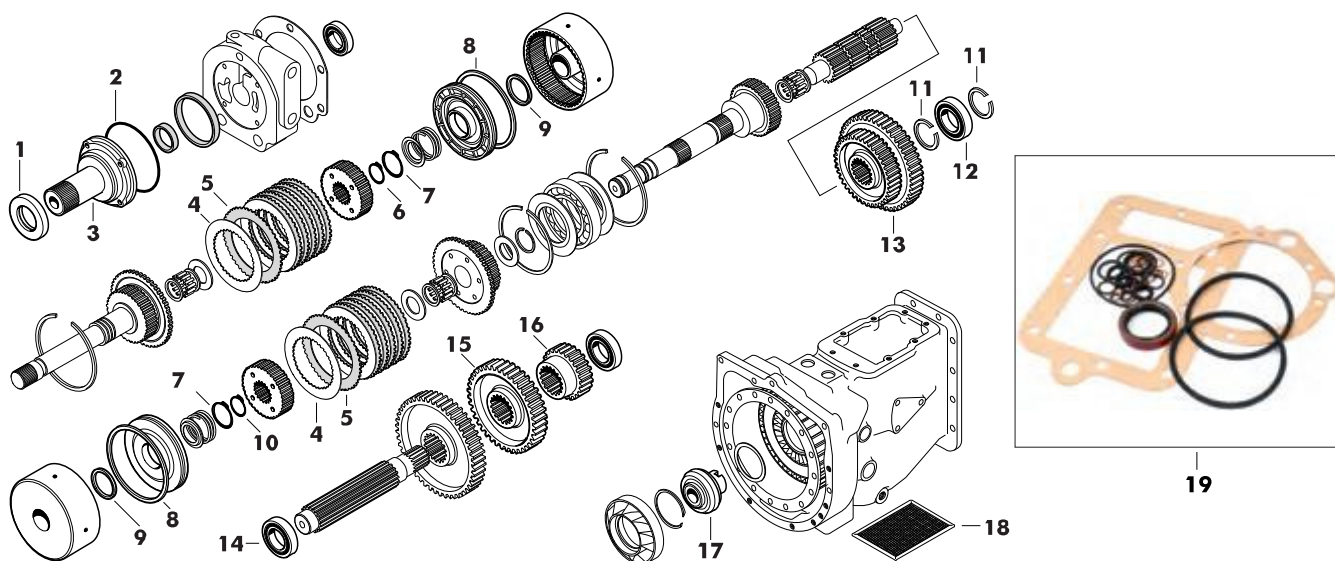
		Description	OEM Ref:	Applications
17	S.40753	Gear 36 Teeth/46 Teeth (18 Spline)	880957M1	35, 35X, 65, 135, 148, 155, 158, 165, 188, 235, 245, 260, (265>194386), (275>221482), 285, (290 386747), 550, 560, 565, 575, 590, 595, 765, 1080, 1200
17	S.41852	Gear (2nd & 4th) - 36 Teeth/46 Teeth (18 Spline)	1682691M1	240, 250, 265, 275, 290, 675
18	S.41623	Internal Circlip 55.6 x 46.1 x 2.4mm	195363M1	35, 35X, 65, 133, 135, 140, 145, 148, 152, 155, 158, 165, 168, 175, 175S, 178, 185, 188, 240, 765
19	S.40785	Bearing - Input Housing	195493M1, 3008252X1, 3000781X1, 1675274M1	35, 35X, 65, 133, 135, 140, 145, 148, 155, 158, 165, 165MKIII, 168, 175, 175S, 178, 185, 188, 235, 240, 245, 250, 260, 265, 275, 290, 365, 375, 390, 390T, 398, 399, 550, 560, 565, 575, 590, 595, 675, 690, 698, 698T, 699, 765, 1080, 1200, 1250, Super 90
20	S.40769	Mainshaft 18 Spline, 6 Groove, Length: 315mm	520701M3	133, 135, 140, (148>604168), 155, 158, 165, (168>253970), (185>314747), (188>356720), (235, 245>2173012), (240>524834), 260, 265, 275, 560, 1080, 1085
20	S.43439	Mainshaft (Transmission)	1662224M2	290, 375, 390, 390T, 398, 399, 575, 590, 595, 690, 698, 698T, 699
21	S.40809	O'Ring	883621M1, 1004633M1, 2415813	(135 36409>), 148, 155, (165 515283>), 168, (175 707333>), 175S, (178 707333>), 185, 188, 240, 265, 275, 285, 290, 365, 375, 390, 390T, 398, 550, 565, 575, 590, 675, 690, 1080, 1085, 1200, 1250
22	S.41508	Gasket (Layshaft Bearing Housing)	181237M1	35, 35X, 65, (135>36408), 145, 148, 152, 155, 158, (165>515283), (175, 178>707332), 260, 265, 275, 285, 290, 560, 575, 590, 595, 675, 690, 698, 698T, 699, 765, 1200, 1250
23	S.41627	External Circlip 31.3 x 26.4 x 1.3mm	899385X1, 899385M1	65, 135, 145, 148, 152, 155, 158, 165, 168, 175, 175S, 178, 185, 188, 235, 240, 245, 250, 260, 265, 275, 285, 290, 765, 365, 375, 390, 390T, 398, 399, 550, 560, 565, 575, 590, 595, 675, 690, 698, 698T, 699, 1080
24	S.41625	Internal Circlip 79.5 x 71.4 x 2.4mm	355988X1	(65 609714>), 135, 145, 148, 152, 155, 158, 165, 168, 175, 175S, 178, 185, 188, 250, 260, 275, 285, 290, 365, 375, 390, 390T, 398, 399, (765 609714>), 560, 565, 575, 590, 595, 675, 690, 698, 698T, 699, 1080, 1200, 1250
25	S.18074	Deep Groove Ball Bearing Series: 6208. Type: ZZ. I/D: 40mm. O/D: 80mm. Width: 18mm.	195502M2	(35, 165 French Built)
25	S.18443	Deep Groove Ball Bearing Series: RMS 9. I/D: 1.1250". O/D: 2.8125". Width: 0.8125".	899377M3, 3760514M1, 899377M2	(65 609714>), 135, 165, 168, 175, 178, 230, 240, 250, 265, 275, 290, 550, 565, 575, 590, 595, 675, 690, 698, 698T, 699, 1200
26	S.41509	Gasket (Layshaft Bearing Housing)	180432M1	35, 35X, 65, 133, 135, 140, 145, 148, 152, 155, 158, 165, 165MKIII, 168, 175, 175S, 178, 185, 188, 240, 250, 260, 265, 275, 285, 290, 365, 375, 390, 390T, 398, 399, 550, 560, 565, 575, 590, 595, 675, 690, 698, 698T, 699, 1080, 1085, 1200, 1250
27	S.40792	PTO Gear 53 Teeth (15 Spline)	899329M1, 1867820M1	(65 609714>), 133, (135>439191), 140, 145, (148>605134), (155>S/N), (165>130773), (168>255118), 175, 175S, 178, (185>317618), (188>358839), (765 609714>),
27	S.40793	PTO Gear 53 Teeth (21 Spline)	1868532M1	(135 439191>), (148 605134>), 152, (155, 158 S/N>), (165 130773>), (168 255118>), (185 317618>), (188 358839>), 235, 245, 260, 275, 550



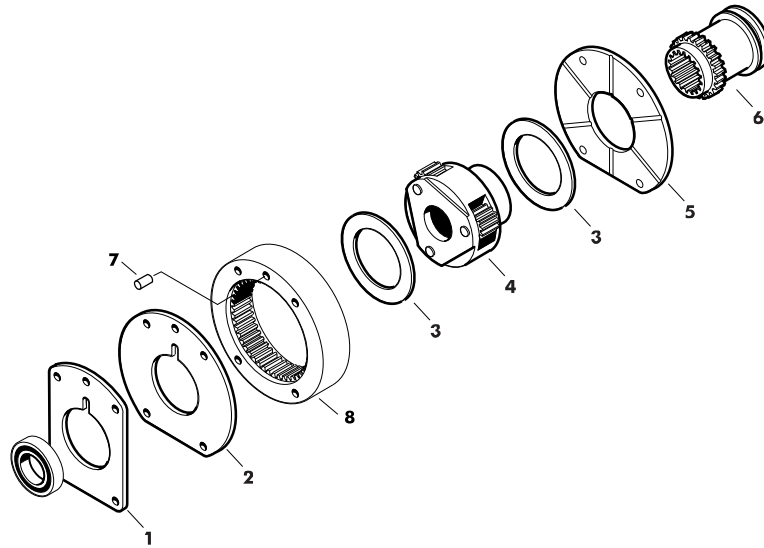
	Description	OEM Ref:	Applications
28	S.41628 External Circlip 38.2 x 31.7 x 1.6mm	358913X1	(65 609714>), 135, 145, 148, 152, 155, 165, 168, 175, 175S, 178, 185, 188, 235, 240, 245, 260, 265, 275, 285, 290, 365, 375, 390, 390T, 398, 399, 550, 560, 565, 575, 590, 595, 675, 690, 698, 698T, 699, (765 609714>), 1080, 1200, 1250
29	S.41631 External Circlip 52 x 45.7 x 2.9mm	831581M1, 831581M2	35, 35X, 65, 133, 135, 140, 145, 148, 152, 155, 158, 165, 165MKIII, 168, 175, 175S, 178, 185, 188, 235, 240, 245, 260, 265, 275, 285, 290, 365, 375, 390, 390T, 398, 399, 550, 560, 565, 575, 590, 595, 675, 690, 698, 698T, 699, 765, 1080, 1085, 1200, 1250
30	S.40757 Deep Groove Bearing (6211 ZZ) I/D = 55mm. O/D = 100mm. Depth = 21mm. Supercedes S.18077	195507M1	65, 133, 135, 140, 148, 155, 158, 165, 168, 175S, 175, 178, 185, 188, 240, 250, 260, 265, 275, 290, 550, 560, 565, 575, 590, 595, 675, 690, 765, 1080, 1085, 1200
30	S.43447 Countershaft Bearing	3003372X1	290, 365, 375, 390, 390T, 398, 399, 575, 590, 595, 675, 690, 698, 698T, 699, 1200, 1250
31	S.40760 Countershaft - Transmission 15 Teeth, 17 Spline	189391M92, 1660915M91	35, 35X, 65, 133, 135, 140, 145, 148, 155, 158, 165, 165MKIII, 168, 175, 178, 185, 188, 235, 245, 240, 250, 265, 275, 285, 290, 550, 560, 565, 575, 590, 675, 690, 765, 1080, 1085
32	S.40761 Needle Bearing I/D: 1 3/8". O/D: 1 5/8". Depth: 1/2"	195453M1	35, 35X, 65, 135, 145, 148, 165, 168, 175, 175S, 178, 185, 188, 240, 250, 260, 265, 275, 285, 290, 365, 390, 390T, 398, 399, 550, 560, 565, 575, 590, 595, 675, 690, 698, 698T, 699, 765, 1080, 1085, Super 90
33	S.41632 External Circlip 62.7 x 51.6 x 2.8mm	195500M1	35, 35X, 65, 135, 145, 148, 152, 155, 158, 165, 168, 175, 175S, 178, 185, 188, 240, 250, 260, 265, 275, 285, 290, 365, 375, 390, 390T, 398, 399, 550, 560, 565, 575, 590, 595, 675, 690, 698, 698T, 699, 765, 1080, 1085, 1200, 1250
34	S.40762 Gear Pinion 33 Teeth (17 Spline)	180415M1	35, 35X, 65, 133, 135, 140, 145, 148, 155, 165, 168, 175, 175S, 178, 185, 188, 240, 250, 260, 265, 275, 285, 290, 550, 560, 565, 575, 590, 595, 675, 1080, 1085, 765, 1200
35	S.40763 Gear Pinion 23 Teeth (17 Spline)	180419M1, 072221P1	35, 35X, 65, 133, 135, 140, 145, 148, 155, 165, 168, 175, 175S, 178, 185, 188, 240, 250, 260, 265, 275, 285, 290, 550, 560, 565, 575, 590, 595, 675, 1080, 1085, 765, 1200
36	S.40785b Bearing	195493M1, 3008252X1	35, 35X, 65, 133, 135, 140, 145, 148, 155, 158, 165, 165MKIII, 168, 175, 175S, 178, 185, 188, 235, 240, 245, 250, 260, 265, 275, 290, 365, 375, 390, 390T, 398, 399, 550, 560, 565, 575, 590, 595, 675, 690, 698, 698T, 699, 765, 1080, 1200, 1250, Super 90
37	S.41856 Reverse Cluster Shaft	180445M1	35, 35X, 65, 133, 135, 140, 145, 148, 152, 155, 158, 165, 165MKIII, 168, 175, 175S, 178, 185, 188, 235, 240, 245, 250, 260, 265, 275, 285, 290, 365, 375, 390, 390T, 398, 399, 550, 560, 565, 575, 590, 595, 675, 690, 698, 699, 765, 1080, 1085, 1200, 1250
38	S.41794 Reverse Cluster Washer	183037M1	35, 35X, 65, 133, 135, 140, 145, 148, 152, 155, 158, 165, 168, 175, 175S, 178, 185, 188, 240, 250, 260, 265, 275, 285, 290, 375, 390, 390T, 398, 399, 550, 560, 565, 575, 590, 595, 675, 690, 698, 698T, 699, 765, 1080, 1085, 1100, 1105, 1130, 1135, 1150, 1155, 1200, 1250
39	S.41796 Needle Bearing - Kit (56 pieces)	183039M1	35, 35X, 65, 133, 135, 140, 145, 148, 152, 155, 158, 165, 168, 175, 175S, 178, 185, 188, 240, 250, 260, 265, 275, 285, 290, 375, 390, 390T, 398, 399, 550, 560, 565, 575, 590, 595, 675, 690, 698, 698T, 699, 765, 1080, 1085, 1100, 1105, 1130, 1135, 1150, 1155, 1200, 1250
40	S.41795 Spacer Washer	183038M1	35, 35X, 65, 135, 145, 148, 152, 155, 158, 165, 168, 175, 175S, 178, 185, 188, 240, 250, 260, 265, 275, 285, 290, 550, 560, 565, 575, 290, 590, 595, 675, 690, 765, 1080, 1085, 1200
41	S.40787 Needle Bearing - Kit (62 pieces)	830735M91	35, 35X, 65, 135, 148, 165, 168, 175, 175S, 178, 185, 188, 240, 250, 265, 275, 290, 550, 565, 575, 590, , 675, 690, 765, 1080, 1200
42	S.40788 Reverse Gear Cluster	183040M1	35, 35X, 65, 135, 145, 148, 152, 155, 158, 165, 168, 175, 175S, 178, 185, 188, 240, 250, 265, 275, 285, 290, 550, 565, 575, 590, 675, 765, 1080, 1200
43	S.42076 Spring - Compression (6 required - Alternative to S.41435)	186519M1	35, 35X, 65, 133, 135, 140, 145, 148, 152, 155, 158, 165, 165MKIII, 168, 175, 175S, 178, 185, 188, (235>Z173012), (240>A20286), (245>Z173012), 250, 260, 265, 275, 285, 290, 365, 375, 390, 390T, 398, 399, 550, 560, 575, 590, 595, 675, 690, 698, 698T, 699, 765, 1080, 1085, 1200
44	S.42139 Layshaft Bearing Housing	899331M1	65, 135, 145, 148, 152, 155, 158, 165, 168, 175, 175S, 178, 185, 188, 765, 235, 240, 245, 250, 260, 265, 275, 285, 290, 365, 375, 390, 390T, 398, 399, 550, 560, 565, 575, 590, 595, 675, 690, 698, 698T, 699, 1080, 1085, 1200, 1250
45	S.42138 Gearbox Spring	886352M1	(135 418436>), (148 Dual Clutch - 601702>), (152 Dual Clutch), 155, 158, (165 114352>), 168, 175, 175S, 178, 185, 188, 240, 250, 260, 265, 275, 285, 290, 550, 560, 565, 575, 590, 595, 675, 690, 1080, 1085, 1200
46	S.42184 Abutment	886353M1	133, (135 439191>), 140, (148 605134>), (155, 158 S.N.>), (165 130773>), (168 255118>), (185 317618>), (188 58839>), 235, 245, 250, 260, 265, 275, 285, 290, 365, 375, 390, 398, 550, 560, 565, 575, 595, 675, 690, 1085
47	S.42140 Shaft 21 Spline, Length: 406.4mm	1868533M1	390, 390T, 398, 399, 560, 575, 590, 595
47	S.43440 PTO Drive Shaft Length: 557.5mm, 21 Spline	1869279M1	

MF05

MF05



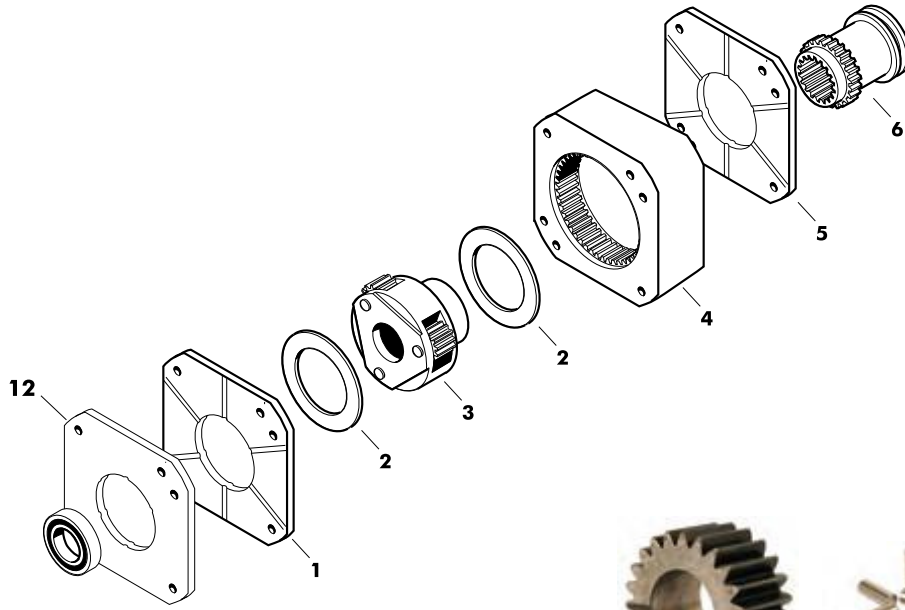
	Description	OEM Ref:	Applications
1	S.41541 Seal	844422M1	30, 30B, 30D, 40, 40B, 40N, 50, 50A, 50B, 50B MKII, 50C, 50D, 50E, 50F, 202, 203, 204, 205, 302, 304, 2200
2	S.41814 O'Ring - Square Section	1754392M1	30, 30B, 30D, 40, 40B, 40N, 50, 50A, 50B, 50B MKII, 50C, 50D, 50E, 50F, 202, 203, 204, 205, 302, 304, 2200
3	S.41613 Transmission Pump	530718M92, 1034964M91	30, 30B, 30D, 40, 40B, 40N, 50, 50A, 50B, 50B MKII, 50C, 50D, 50E, 50F, 202, 203, 204, 205, 302, 304, 2200
4	S.41382 Clutch Plate - External Spline	1754344M1	30, 30B, 30D, 40, 40B, 40N, 50, 50A, 50B, 50B MKII, 50C, 50D, 50E, 50F, 202, 203, 204, 205, 302, 304, 2200
5	S.41381 Clutch Plate - Internal Spline	1754345M1, 2757328M1	30, 30B, 30D, 40, 40B, 40N, 50, 50A, 50B, 50B MKII, 50C, 50D, 50E, 50F, 202, 203, 204, 205, 302, 304, 2200
6	S.2885 External Circlip 35mm (1 3/8")	355631X1	30, 30B, 30D, 40, 40B, 40N, 50, 50A, 50B, 50B MKII, 50C, 50D, 50E, 50F, 202, 203, 204, 205, 302, 304, 2200
7	S.55079 External Circlip 45mm	360207X1	30, 30B, 30D, 40, 40B, 40N, 50, 50A, 50B, 50B MKII, 50C, 50D, 50E, 50F, 202, 203, 204, 205, 302, 304, 2200
8	S.41819 O'Ring (4 1/16" x 1/8")	1754525M1	30, 30B, 30D, 40, 40B, 40N, 50, 50A, 50B, 50B MKII, 50C, 50D, 50E, 50F, 202, 203, 204, 205, 302, 304, 2200
9	S.41500 O'Ring	1004637M1	30, 30B, 30D, 40, 40B, 40N, 50, 50A, 50B, 50B MKII, 50C, 50D, 50E, 50F, 202, 203, 204, 205, 302, 304, 2200
10	S.2880 External Circlip 27mm (1 1/16")	354945X1	30, 30B, 30D, 40, 40B, 40N, 50, 50A, 50B, 50B MKII, 50C, 50D, 50E, 50F, 202, 203, 204, 205, 302, 304, 2200
11	S.41623 Internal Circlip 55.6 x 46.1 x 2.4mm	195363M1	30, 30B, 30D, 40, 40B, 40N, 50, 50A, 50B, 50B MKII, 50C, 50D, 50E, 50F
12	S.40785 Bearing - Input Housing	195493M1, 3008252X1, 3000781X1, 1675274M1	20C, 20D, 20F, 30, 30B, 30D, 30E, 30H, 40, 40B, 40N, 50, 50A, 50B, 50B MK11, 50C, 50D, 50E, 50F, 202, 203, 204, 205, 302, 304, 2200
13	S.40753 Gear 36 Teeth/46 Teeth (18 Spline)	880957M1	(50 >876929), 50B, 50B MKII, 50D, 50E, 50F Models using gears with 46 Teeth/36 Teeth (Germany Only)
14	S.40744 Bearing - Input Housing	195494M1, 3009388X1, 831962M1	20C, 30, 30B, 30D, 40, 40B, 40N, 50, 50A, 50B, 50B MKII, 50C, 50D, 50E, 50F, 202, 203, 204, 205, 302, 304, 2200
15	S.40762 Gear Pinion 33 Teeth (17 Spline)	180415M1	20C, 20D, 20F, 50, 50B, 50B MKII, 50C, 50D, 50F (50E Models using gears with 33 Teeth - Germany Only)
16	S.40763 Gear Pinion 23 Teeth (17 Spline)	180419M1, 072221P1	20C, 20D, 20F, 50, 50B, 50B MKII, 50C, 50D, 50E, 50F, 133, 135, 140, 148, 152, 165, 168, 230, 240, 250, 253, 265, 275, 290, 350, 355, 360, 362, 365, 375, 390, 390T, 550, 565, 575, 590
17	S.60997 Torque Conversion Hub & Gasket	1754427M2	30, 30B, 30D, 40, 40B, 40N, 50, 50A, 50B, 50B MKII, 50C, 50D, 50E, 50F, 202, 203, 204, 205, 302, 304, 2200
18	S.41821 Filter Screen	1754633M1	30, 30B, 30D, 40, 40B, 40N, 50, 50A, 50B, 50B MKII, 50C, 50D, 50E, 50F, 202, 203, 204, 205, 302, 304, 2200
19	S.42839 Gasket Set - Transmission	830979M93	202, 203, 204, 205, 2200, 302, 304, 30B, 30D, 40, 40A, 40B, 40N, 50, 50B MKII, 50C, 50F



MF05

	Description	OEM Ref:	Applications
1	S.41921 Shim Washer	184011M1, 180403M1	35, 35X, 65, 133, 135, 135E, 135F, 135MKIII, 140, 145, 145MKIII, 145V, 148, 148MKIII, 152, 152MKIII, 152F, 155, 158, 165, 165MKIII, 168, 175, 175S, 178, 185, 188, 230, 231, 235, 240, 243, 245, 250, 253, 255, 260, 263, 265, 265S, 275, 340, 342, 350, 352, 355, 360, 362, 365, 375, 415, 425, 435, 550, 560, 765, 835, 865, 1080, 1085
2	S.43441 Front Cover Plate (Transmission)	180408M2	35, 35X, 133, 135, 135MKIII, 135E, 135F, 140, 145, 145MKIII, 145V, 148, 152, 155, 158, 158MKIII, 158F, 158S, 158V, 165, 165MKIII, 168, 175, 175S, 178, 185, 188, 230, 231, 235, 240, 243, 240S, 245, 250, 253, 255, 260, 263, 265, 265S, 275, 290, 340, 342, 350, 352, 355, 360, 362, 365, 375, 415, 425, 435, 550, 560, 765, 835, 865, 1080, 1085
3	S.41967 Thrust Washer (Reduction Unit). ID: 104.4mm. O/D: 127mm. Thickness:1.01mm	897367M1	65, 133, 135, 135E, 135F, 135MKIII, 135V, 140, 145, 145MKIII, 145V, 148, 148MKIII, 152, 152MKIII, 152F, 155, 158, 158MKIII, 158F, 158S, 158V, 165, 165MKIII, 175, 175S, 178, 230, 231, 235, 240S, 243, 245, 250, 253, 255, 260, 263, 265, 275, 340, 342, 350, 352, 355, 360, 362, 365, 375, 415, 425, 435, 550, 560, 765, (35, 35X>383154), (65, 765>609713), (835>383154)
4	S.40754 Carrier Unit - Epicyclic	827719M91	(35, 35X 383154>), (65 609714>), 133, 135, 135E, 140, 145, 145V, 152, 152MKIII, 152F, 155, 158, 158MKIII, 158F, 158S, 158V, 165, 165MKIII, 230, 231, 235, 240, 240S, 243, 245, 250, 253, 255, 260, 263, 265, 265S, (275 4WD), (275 Turkey), 285S, (290 Turkey), 340, 342, 350, 352, 355, 360, 362, 365, 375, 415, (425, 435 2WD), 550, 560, (765 609714>)
4	S.40755 Carrier Unit - Epicyclic Reduction Cluster	897711M91	148, 168, 175, 175S, 178, 185, 188, 1080, 1085
4	S.40756 Carrier Unit - Epicyclic	887128M91, 1886634M91	(265 Brazil), (275 Brazil), (292 Brazil), (298 Brazil), (440 2WD >236369), (440 4WD >236556), (445 2WD >BS035008), (445 4WD >236223), (460 2WD >239117), (460 4WD >236903), (465 4WD >236367), 492 (Japan Only)
4	S.107331 Carrier Unit - Epicyclic	022638N1	(265 Brazil), (275 Brazil), (292 Brazil), (298 Brazil), (440 2WD >236369), (440 4WD >236556), (445 2WD >BS035008), (445 4WD >236223), (460 2WD >239117), (460 4WD >236903), (465 4WD >236367), 492 (Japan Only)
5	S.43442 Rear Cover Plate (Transmission)	184012M4	35, 35X, 133, 135, 135MKIII, 135E, 135F, 140, 145, 145MKIII, 145V, 148, 148MKIII, 152, 152MKIII, 152F, 155, 158, 158MKIII, 158F, 158S, 158V, 165, 165MKIII, 168, 175, 175S, 178, 185, 188, 230, 231, 235, 240, 243, 240S, 245, 250, 253, 255, 260, 263, 265, 265S, 275, 290, 340, 342, 350, 352, 355, 360, 362, 365, 375, 415, 425, 435, 440, 445, 550, 560, 650, 765, 835, 865, 1080, 1085
6	S.42152 Coupling - Sliding	3429815M1, 190 x 220 x 18	(65 609714>), 133, 135, 135MKIII, 135E, 135F, 135V, 140, 145, 145MKIII, 145V, 148, 152, 152MKIII, 152F, 155, 158, 158MKIII, 158F, 158S, 158V, 165, 165MKIII, 168, 175, 175S, 178, 185, 185, 230, 231, 235, 240, 240S, 245, 250, 253, 255, 260, 263, 265, 265S, 275, 340, 342, 350, 352, 355, 360, 362, 365, 375, 415, 425, 435, 550, 560, (765 609714>), 1080, 1085, 3050, 3060, 3065, 3070, 3075, 3080, 3085, 3090, 3095, 3115, 3120, 3125, 5425, 5435, 5445, 5455, 5460, 5465, 6120, 6130, 6140, 6150, 6170, 6180, 6190, 6235, 6245, 6255, 6260, 6265, 6270, 6280, 6290, 6445, 6455, 6460, 6465, 6470, 6475, 6480
8	S.107335 Pin (8 Spd)	180409M1	425B/445B/455B, 434, 465B, 475B, 525B, 535, 545B, 575B,LT75/LT90A, LT85A, LT95A, 100/200, 1004 T, 1004, 1080, 1085, 1200, 1250, 133/135 MKIII/135V, 133/135/140, 135 N.A, 135, 135/148 MKIII/135/145 V/S, 145 MKIII/145 V, 145, 148, 152, 155, 158, 165, 168, 175, 178, 185, 188, 230, 231, 235, 240, 243, 245, 250, 253, 263, 255, 260, 260S, 261, 2615, 2625, 2635, 265, 268, 270, 275, 280, 285, 290, 298, 300, 3000/3100/3600, 3050, 3060, 3065, 3070, 3075, 3080, 3085, 3090, 3095, 3115, 3120, 3125, 340, 342, 35, 835, 350, 352, 355, 360, 362, 365, 375, 390, 396, 368, 399, 4000, 415, 4225/4235/4240 >K37009, 4245/4255 K37009>, 425 2WD (425 >238493), 425 4WD (425 >237827), 4260/4270 K37009>, 4265/4365, 4315/4320, 4325/4335, 4345/4355, 435 2WD (435 >236380), 435 4WD (435 >236060), 4360/4370, 440 2WD (440 >236369), 440 4WD (440 >236556), 445 2WD (445 >BS035008), 445 4WD (445 >236223), 460 2WD (460 >239117), 460 4WD (460 >236903), 465 4WD (465 >236367), 492 (Japan Only), 5335, 4240, 5355, 5360, 5365, 5400/6400/7400, 5425, 5435, 5445, 5455, 5460, 5465, 5470, 5475, 5480, 550, 560, 565, 575, 590, 592, 595, 6120, 6130, 6140, 6150, 6160, 6170, 6180, 6190, 6235/6245/6255, 6260, 6265, 6270/6280/6290, 6445, 6455, 6460, 6470, 6465, 6475, 6480, 6485, 6490, 6495, 6497, 6499, 675, 690, 698, 699, Super 90, (250X Brazil), (265 Brazil), (275 Brazil), (283 Brazil), (290 Brazil), (292 Brazil), (297 Brazil), (298 Brazil), (299 Brazil)
9	S.107337 Annular Gear (8 Spd)	1865530M1	148, 168, 175/178, (250X Brazil), (265 Brazil), (275 Brazil), 415, (425 2WD >238493), (425 4WD >237827), (435 2WD >236380), (435 4WD >236060), (440 2WD >236369), (440 4WD >236556), 481 (Japan Only), 1085

MF05



ERROR: undefined
OFFENDING COMMAND: f'~

STACK:

-savelevel-