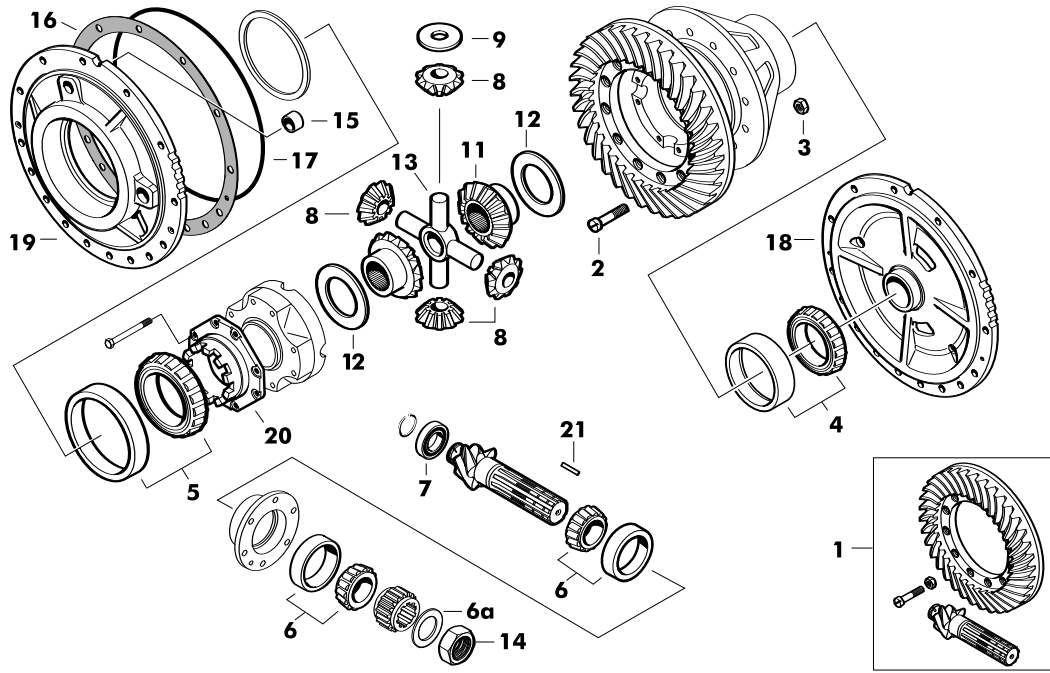


		Description	OEM Ref:	Applications
1	S.40897	Crown Wheel & Pinion 6 x 37 (Pinion Length: 9.35"/237mm. Supplied with nuts & bolts)	1885317M91	35, 35X, (133, 135>461574), (140 Early Models)
1	S.40898	Crown Wheel & Pinion 6 x 37 (Pinion Length: 9.93"/252mm. Supplied with nuts & bolts)	1683757M91	35, 35X, (133, 135 461575>), (140 Later Models), 230, 235, 240, 245, 250, 340 Industrial 20C, 20D
1	S.41344	Crown Wheel & Pinion 11 x 38 (Supplied with nuts & bolts)	1664255M92	65, 135 MK111, 148 MK111, 152, 158, 165, 168, 175, 178, 185, 188, 240, 250, 253, 255, 260, 265, 275, 285, 290, 350, 355, 360, 362, 365, 372, 375, 382, 390, 399, 565, 575, 590, 675, 690, 765 Industrial 30G, 30E, 30H, 40E, 50D, 50E, 50EX, 50F, 50H, 50HX, 50H, 50HXS, 50H, 50HXT, 60H, 60HS, 60HXT
2	S.40901	Bolt - Crown Wheel & Pinion	825776M1	TEA20, TED20, TEF20, 35, 35X, 65, 133, 135, 135E, 140, 145, 148, 152, 155, 158, 165, 168, 175, 178, 185, 188, 230, 240, 250, 265, 275, 285, 290, 298, 340, 342, 350, 352, 355, 360, 362, 372, 375, 382, 390, 390T, 398, 399, 550, 565, 575, 590, 595, 675, 690, 698, 698T, 699, 1080, 1200, 1250, 3050, 3060, 3065, 3070, 3075, 3080, 3085, 3090, 3095, 3115, 3120, 3120T, 3125, 3140, 3610, 3630, 3635, 3645, 3650, 3655, 6110, 6120, 6130, 6140, 6150, 6160, 6170, 6180, 6190, 8110, 8120, 8130, 8140, 8150, 8160 Industrial 20C, 20D, 20F, 30B, 30D, 30E, 30H, 40B, 40E, 50, 50A, 50B, 50B MK11, 50C, 50D, 50E/EX, 50F, 50H/HX, 50H/HX"S", 50H/HX"T", 60H, 60H"S", 60HXT"
3	S.40900	Nut - Crown Wheel and Pinion Bolt	891947M1	
4	S.18502	Tapered Roller Bearing Timken Type - I/D: 66.67mm. O/D: 112.70mm. Depth: 30.05mm (Cone Cup: 3984/3920). Supercedes S.40902.	185775M1, 185776M1, 1851533M91	(N.B. When fitted as a LH bearing TE20, TEA20, TED20, TEF20, TO20, 35, 35X, 65, 133, 135, 135E, 135F, 140, 145, 148, 152, 155, 158, 165, 168, 175, 1755, 178, 185, 188, 230, 240, 250, 265, 2655, 275, 285, 2855, 290, 298, 590, 592, 595, 675, 690, 698, 698T, (699>L260026), 1004, 1004T, 1080, 1200, 1250, 2620, 2625, 2640, 2645, 2680, 2685, 2720, 2725 Industrial 20C, 20D, 20F, 30B, 30D, 30E, 30H , 40B, 50, 50A, 50B, 50B MK11, 50C, 50D, 50E, 50EX, 50F, 50H, 50HX, 60H) (N.B. When fitted as a RH bearing TE20, TEA20, TED20, TEF20, TO20, (35, 35X Models without Differential Lock), 3050, 3060, 3065, 3070, 3080, 3085, 3090, 3095, 3115, 3120, 3120T, 3125, 3140, 3610, 3630, 3635, 3645, 3650, 3655, 3660, 3670, 3680, 3690, 6110, 6120, 6130, 6140, 6150, 6160, 6170, 6180, 6190, 8110, 8120, 8130, 8140, 8150, 8160) N.B. Before ordering, check dimnesions as some models may require S.41455
4	S.41455	Tapered Roller Bearing - Timken Type I/D: 73.03mm O/D: 112.71mm Depth: 25.40mm	1860503M92	398, 399, (699 L260026>) Industrial (20F, 30E, 30H, 50H/HX, 60H Alternative to S.41455), 40E, 50H/HX"S", 50H/HX"T", 60H"S", 60HXT"
4	S.40903	Tapered Roller Bearing Timken Type - I/D = 107.95mm. O/D = 158.75mm. Depth = 21.44mm (Cone Cup = 37425/37625)	1850909M91	(N.B. When fitted as a LH bearing (235 Brazil), (250X Brazil), (265 Brazil), (275 Brazil), (290 Brazil), (292 Brazil), (295 Brazil), (296 Brazil), (297 Brazil), (298 Brazil), (299 Brazil), (410/420), (415), (425 2WD >238493), (425 4WD >237827), (435 2WD >236860), (435 4WD >236060), (440 2WD >236369), (440 4WD >236556), (445 2WD >B5035008), (445 4WD >236223), (460 2WD >239117), (460 4WD >236903), (465 4WD >236367), (475 4WD >238868), (481 (Japan Only), (492 Japan Only), 3050, 3060, 3065, 3070, 3080, 3085, 3090, 3095, 3115, 3120, 3120T, 3125, 3140, 3610, 3630, 3635, 3645, 3650, 3655, 3660, 3670, 3680, 3690, 6110, 6120, 6130, 6140, 6150, 6160, 6170, 6180, 6190, 8110, 8120, 8130, 8140, 8150, 8160) (N.B. When fitted as a RH bearing (35, 35X, 65>545568), 133, 135, 135E, 140, 145, 148, 152, 155, 158, 165, 168, 175, 1755, 178, 185, 188, 230, 240, 250, 265, 275, 285, 290, 298, 340, 342, 350, 352, 355, 360, 362, 372, 375, 382, 390, 390T, 398, 399, 550, 565, 575, 590, 595, 675, 690, 698, 698T, 699, 1080, 1200, 1250 with Differential Lock) Industrial (20C, 20D, 20F, 30B, 30D, 30E, 30H , 40B, 50, 50A, 50B, 50B MK11, 50C, 50D, 50E, 50EX, 50F, 50H, 50HX, 60H with Differential Lock)
5	S.40903	Tapered Roller Bearing Timken Type - I/D = 107.95mm. O/D = 158.75mm. Depth = 21.44mm (Cone Cup = 37425/37625)	1850909M91	(N.B. When fitted as a LH bearing (235 Brazil), (250X Brazil), (265 Brazil), (275 Brazil), (290 Brazil), (292 Brazil), (295 Brazil), (296 Brazil), (297 Brazil), (298 Brazil), (299 Brazil), (410/420), (415), (425 2WD >238493), (425 4WD >237827), (435 2WD >236860), (435 4WD >236060), (440 2WD >236369), (440 4WD >236556), (445 2WD >B5035008), (445 4WD >236223), (460 2WD >239117), (460 4WD >236903), (465 4WD >236367), (475 4WD >238868), (481 Japan Only), (492 Japan Only), 3050, 3060, 3065, 3070, 3080, 3085, 3090, 3095, 3115, 3120, 3120T, 3125, 3140, 3610, 3630, 3635, 3645, 3650, 3655, 3660, 3670, 3680, 3690, 6110, 6120, 6130, 6140, 6150, 6160, 6170, 6180, 6190, 8110, 8120, 8130, 8140, 8150, 8160) (N.B. When fitted as a RH bearing (35, 35X, 65>545568), 133, 135, 135E, 140, 145, 148, 152, 155, 158, 165, 168, 175, 1755, 178, 185, 188, 230, 240, 250, 265, 275, 285, 290, 298, 340, 342, 350, 352, 355, 360, 362, 372, 375, 382, 390, 390T, 398, 399, 550, 565, 575, 590, 595, 675, 690, 698, 698T, 699, 1080, 1200, 1250 with Differential Lock) Industrial (20C, 20D, 20F, 30B, 30D, 30E, 30H , 40B, 50, 50A, 50B, 50B MK11, 50C, 50D, 50E, 50EX, 50F, 50H, 50HX, 60H with Differential Lock)
5	S.18502	Tapered Roller Bearing Timken Type - I/D: 66.67mm. O/D: 112.70mm. Depth: 30.05mm (Cone Cup: 3984/3920). Supercedes S.40902.	185775M1, 185776M1, 1851533M91	(N.B. When fitted as a LH bearing TE20, TEA20, TED20, TEF20, TO20, 35, 35X, 65, 133, 135, 135E, 135F, 140, 145, 148, 152, 155, 158, 165, 168, 175, 1755, 178, 185, 188, 230, 240, 250, 265, 2655, 275, 285, 2855, 290, 298, 590, 592, 595, 675, 690, 698, 698T, (699>L260026), 1004, 1004T, 1080, 1200, 1250, 2620, 2625, 2640, 2645, 2680, 2685, 2720, 2725 Industrial 20C, 20D, 20F, 30B, 30D, 30E, 30H , 40B, 50, 50A, 50B, 50B MK11, 50C, 50D, 50E, 50EX, 50F, 50H, 50HX, 60H) (N.B. When fitted as a RH bearing TE20, TEA20, TED20, TEF20, TO20, (35, 35X Models without Differential Lock), 3050, 3060, 3065, 3070, 3080, 3085, 3090, 3095, 3115, 3120, 3120T, 3125, 3140, 3610, 3630, 3635, 3645, 3650, 3655, 3660, 3670, 3680, 3690, 6110, 6120, 6130, 6140, 6150, 6160, 6170, 6180, 6190, 8110, 8120, 8130, 8140, 8150, 8160) N.B. Before ordering, check dimnesions as some models may require S.41455
6	S.40907	Tapered Roller Bearing Timken Type - I/D = 44.45mm. O/D = 95.25mm. Depth = 28.58mm (Cone Cup = HM903249/903210)	1850090M92	35, 133, 135, 135MKIII, 135E, 135F, 140, 145, 145MKIII, 145V, 148, 148MKIII, 152, 152MKIII, 152F, 155, 158, 158MKIII, 158F, 158S, 165, 168, 168MKIII, 168F, 168S, 175, 178, 185, 188, 230, 231, 235, 240, 240S, 243, 245, 250, 253, 255, 263, 261, 265, 2655, 275, 2855, 290, 298, 340, 342, 350, 352, 355, 360, 362, 362N, 365, 372N, 375, 375E, 382N, 390, 390E, 390T, 396, 398, 399, 425, 435, 440, 560, 565, 575, 590, 675, 690, 3610, 4215, 4220, 4225, 4235, 4240, 4245, 4255, 4260, 4265, 4270, 4315, 4320, 4325, 4335, 4345, 4355, 4360, 4365, 4370, 5335, 5340, 5355, 5360, 5365 Industrial 20C, 20D, 20F, 30B, 30D, 30E, 30H, 40B, 50, 50A, 50B, 50B MK11, 50C, 50D, 50E, 50EX, 50F, 50H, 50HX, 60H
6a	S.42826	Washer - Pinion Nut	180455M1	35, 35X, 65, 133, 135, 140, 145, 148, 152, 155, 158, 165, 168, 175, 1755, 178, 185, 188, 765, 865
7	S.40905	Bearing (62 x 30 x 19mm)	191250M1, 196098M1	35, 35X, 65, 133, 135, 135E, 140, 145, 148, 152, 155, 158, 165, 168, 175, 178, 185, 188, 230, 240, 250, 265, 275, 285, 290, 340, 342, 350, 352, 355, 360, 362, 372, 375, 382, 390, 390T, 398, 398T, 399, 550, 565, 575, 590, 675, 690, 1200, 1250 Industrial 20C, 20D, 20F, 30B, 30D, 30E, 30H, 40B, 50, 50A, 50B, 50B MK11, 50C, 50D, 50E/EX, 50F, 50H/HX, 60H

MF08

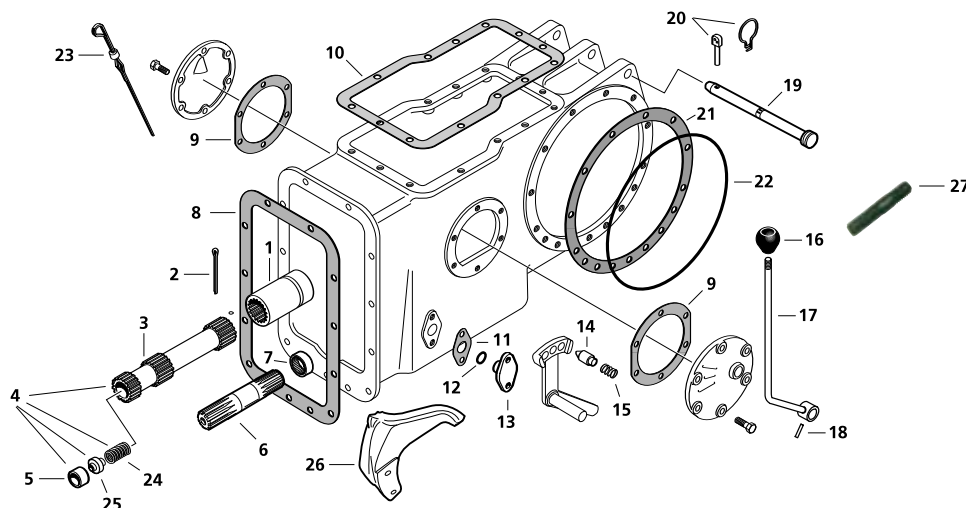


		Description	OEM Ref:	Applications
7	S.40906	Bearing (62 x 30 x 24mm)	834733M1	(275, 285, 290 9x35), 298, (375, 390, 390E 9x35), (398, 399 With Extended PTO), (415), (425 2WD >238493), (425 4WD >237827), (435 2WD >236860), (435 4WD >236060), (440 2WD >236369), (440 4WD >236556), 425, 435, 440, 445, 460, 465, 475, (575, 590 9x35), 592, 595, 650, 660, (675 9x35), 680, (690 9x35), 698, 698T, 699, 1004, 1004T, 1080, 1085, (4245, 4255, 4260, 4265, 4270, 4345, 4355, 4360, 4370, 4365 9x35), 5335, 5340, 5355, 5360, 5365
7	S.18255	Tapered Roller Bearing I/D = 35mm. O/D = 72mm. Depth = 23mm (Series = 32207)	1440637X1	3050, 3060, 3065, 3070, 3075, 3080, 3085, 3090, 3095, 3115, 3120, 3125, 6120, 6130, 6140, 6150, 6160, 6170, 6180, 6235, 6245, 6255, 6260, 6265, 6270, 6280, 6290
8	S.40909	Pinion Gear - Differential (O.D. 75mm)	181275M1	35, 35X, 65, (135>83855), (165>541047), (175, 178>718754), 765 Industrial (50>815743)
8	S.40910	Pinion Gear - Differential (O.D. 85mm)	897725M1, 2746322M1	133, (135 83855>), 140, 148, 152, 155, 158, (165 541047>), 168, (175, 178 718754>), 185, 188, 230, 240, 250, 265, 275, 285, 290, 298, 340, 342, 350, 352, 355, 360, 362, 372, 375, 382, 390, 390T, 398, 399, 550, 565, 575, 590, 595, 675, 690, 698, 698T, 699, 1080, 1200, 1250, 2620, 2640, 2680, 2720, 3050, 3060, 3065, 3070, 3075, 3080, 3085, 3090, 3095, 3115, 3120, 3120T, 3125, 3140, 3610, 3630, 3635, 3645, 3650, 3655, 6110, 6120, 6130, 6140, 6150, 6160, 6170, 6180, 6190, 8110, 8120, 8130, 8140, 8150, 8160 Industrial 20C, 20D, 20F, 30B, 30D, 30E, 30H, 40B, 40E, (50 815743>), 50A, 50B, 50B MK11, 50C, 50D, 50E/EX, 50F, 50H/HX, 50H/HX"S", 50H/HX"T", 60H, 60H"S", 60HX"T"
9	S.42019	Thrust Washer (Pinion Gear)	181277M1, 514958M1, 3387281M1	35, 35X, 65, 133, 135, 140, 148, 152, 155, 158, 165, 168, 175, 178, 185, 188, 230, 240, 250, 265, 275, 285, 290, 298, 340, 342, 350, 352, 355, 360, 362, 372, 375, 382, 390, 390T, 398, 399, 550, 565, 575, 590, 595, 675, 690, 698, 698T, 699, 765, 1080, 1200, 1250, 3050, 3060, 3065, 3070, 3075, 3080, 3085, 3090, 3095, 3115, 3120, 3120T, 3125, 3140, 3610, 3630, 3635, 3645, 3650, 3655, 6110, 6120, 6130, 6140, 6150, 6160, 6170, 6180, 6190, 8110, 8120, 8130, 8140, 8150, 8160 Industrial 20C, 20D, 20F, 30B, 30D, 30E, 30H, 40B, 40E, 50, 50A, 50B, 50B MK11, 50C, 50D, 50E/EX, 50F, 50H/HX, 50H/HX"S", 50H/HX"T", 60H, 60H"S", 60HX"T"
11	S.40914	Gear - Planetary (LH/RH) (14T x 39 Spline)	885518M1	133, (135 83855>), 140, 148, 152, 155, 158, (165 541047>), 168, (175, 178 718754>), 185, 188, 230, 240, 250, 265, 275, 285, 290, 298, 340, 342, 350, 352, 355, 360, 362, 372, 375, 382, 390, 390T, 398, 399, 550, 565, 575, 590, 595, 675, 690, 698, 698T, 699, 1080, 1200, 1250, 2620, 2640, 2680, 2720, 3050, 3060, 3065, 3070, 3075, 3080, 3085, 3090, 3095, 3115, 3120, 3120T, 3125, 3140, 3610, 3630, 3635, 3645, 3650, 3655, 6110, 6120, 6130, 6140, 6150, 6160, 6170, 6180, 6190, 8110, 8120, 8130, 8140, 8150, 8160 Industrial 20C, 20D, 20F, 30B, 30D, 30E, 30H, 40B, 40E, (50 815743>), 50A, 50B, 50B MK11, 50C, 50D, 50E/EX, 50F, 50H/HX, 50H/HX"S", 50H/HX"T", 60H, 60H"S", 60HX"T"

MF08

	Description	OEM Ref:	Applications
12	S.42020 Thrust Washer - Planetary Gear	181247M1 897726M1	(TEA20, TED20, TEF20 85mm S/N 325001>), 35, 35X, 65, (135>83855), (165>541047), (175, 178>718754), 765 Industrial (50>815743)
12	S.42021 Thrust Washer (Planetary Gear)	8977262M1	133, (135 83855>), 140, 148, 152, 155, 158, (165 541047>), 168, (175, 178 718754>), 185, 188, 230, 240, 250, 265, 275, 285, 290, 298, 340, 342, 350, 352, 355, 360, 362, 372, 375, 382, 390, 390T, 398, 399, 550, 565, 575, 590, 595, 675, 690, 698, 698T, 699, 1080, 1200, 1250, 2620, 2640, 2680, 2720 Industrial 20C, 20D, 20F, 30B, 30D, 30E, 30H, 40B, 40E, (50 815743>), 50A, 50B, 50B MKIII, 50C, 50D, 50E/EX, 50F, 50H/HX, 50H/HX"S", 50H/HX"T", 60H, 60H"S", 60HX"T"
13	S.42022 Joint - Differential Cross	181276M1 894302M1 2746135M2	35, 35X, 65, 133, 135, 135E, 140, 148, 152, 155, 158, (165 541047>), 168, (175, 178 718754>), 185, 188, 230, 240, 250, 265, 275, 285, 290, 298, 340, 342, 350, 352, 355, 360, 362, 372, 375, 382, 390, 390T, 398, 399, 550, 565, 575, 590, 595, 675, 690, 698, 698T, 699, 765, 1080, 1200, 1250, 2620, 2640, 2680, 2720, 3050, 3060, 3065, 3070, 3075, 3080, 3085, 3090, 3095, 3115, 3120, 3120T, 3125, 3140, 3610, 3630, 3635, 3645, 3650, 3655, 6110, 6120, 6130, 6140, 6150, 6160, 6170, 6180, 6190, 8110, 8120, 8130, 8140, 8150, 8160 Industrial 20C, 20D, 20F, 30B, 30D, 30E, 30H, 40B, 40E, 50, 50A, 50B, 50B MK11, 50C, 50D, 50E/EX, 50F, 50H/HX, 50H/HX"S", 50H/HX"T", 60H, 60H"S", 60HX"T"
14	S.42024 Lock Nut (Pinion Shaft)	180456M1	35, 35X, 65, 133, 135, 135E, 140, 148, (165 Ground Speed PTO), 175, 178
14	S.42023 Lock Nut (Pinion Shaft)	532956M1	(133 1/76>), (135 461575>), 135MKIII, 135V, (140 1/76>), 145MKIII, 145V, 148, 148MKIII, (152 1/76>), 152MKIII, 152F, (155, 158 1/76>), 158MKIII, 158F, 158S, (165 558956>), (168 258179>), 168MKIII, 168F, 168S, 185, 188, 230, 235, 240, 240S, 243, 245, 250, 253, 255, 260, 261, 263, 265, 265S, 275, 285, 290, 298, 340, 342, 350, 352, 355, 360, 362, 362N, 365, 372N, 375, 382N, 390, 390E, 390T, 396, 398, 399, 550, 560, 575, 590, 592, 595, 675, 690, 698, 698T, 699, 1004, 1004T, 1200, 1250, 4215, 4220, 4225, 4235, 4240, 4245, 4255, 4260, 4265, 4270, 4315, 4320, 4325, 4335, 4345, 4355, 4360, 4365, 4370 Industrial 20C, 20D, 20F, 30B, 30D, 30E, 30H, 40B, 40E, 50, 50A, 50B, 50B MKII, 5C, 50D, 50E, 50EX, 50F, 50H, 50HX, 50H, 50HXS, 50H, 50HXS, 60H, 60HS, 60HXT
15	S.42030 Seal Differential Lock Shaft	831575M1	(165, 168, 175, 178, 185, 188 Dry Brakes) Industrial (50, 50B Dry Brakes)
16	S.43989 Gasket (20)	4112	(TEA20, TED20, TEF20 >325000)
16	S.40922 Gasket - Trumpet Housing	183254M1	(TEA20, TED20, TEF20 325001>), 35, 35X, 133, 135, 140, 148, (165, 168, 175, 178, 185, 188, 230, 240, 340 Dry Brakes), 342, 550 Industrial 20C, 20D, (50, 50B Dry Brakes)
17	S.40923 O'Ring - Housing	1860838M2	152, 155, 158, (165, 168, 185, 188, 240 Wet Brakes), 250, (250 Brazil), 253, 265, (265 Brazil), 275, (275 Brazil), (283 Brazil), 285, 290, (290 Brazil), (292 Brazil), (297 Brazil), 298, (298 Brazil), (299 Brazil), (340 Wet Brakes), 342, 350, 352, 355, 360, 362, 372, 375, 382, 390, 390T, 398, 399, (415), (425 2WD >238493), (425 4WD >237827), (435 2WD >236860), (435 4WD >236060), (440 2WD >236369), (440 4WD >236556), (445 2WD >BS035008), (445 4WD >236223), (460 2WD >239117), (460 4WD >236903), (465 4WD >236367), (475 4WD >238868), (481 Japan Only), (492 Japan Only), 550, 675, 690, 698, 698T, 1200, 1250 Industrial 20C, 20D, 20F, 30B, 30D, 30E, 30H, 40B, 40E, 50, 50A, 50B, 50B MK11, 50C, 50D, 50E/EX, 50F, 50H/HX, 50H/HX"S", 50H/HX"T", 60H, 60H"S", 60HX"T"
18	S.41454 Plate - Differential (LH)	1860885M1 1687864M1	(165, 168, 185, 188 Wet Brakes), 245, 255, 265, 270, 275, 282, 285, 290, 298, 565, 575, 590, 595, 670, 675, 690, 698, 699, 1080, 1085 Industrial 30B, 30D, 30E, 30H, 40B, 40E, (50 815743>), 50A, 50B, 50B MK11, 50C, 50D, 50E/EX, 50F, 50H/HX, 50H/HX"S", 50H/HX"T", 60H, 60H"S", 60HX"T"
19	S.41453 Plate - Differential (RH)	1860882M1	(165, 168, 185, 188 Wet Brakes), 245, 255, 265, 270, 275, 282, 285, 290, 298, 565, 575, 590, 595, 670, 675, 690, 698, 699, 1080, 1085 Industrial 30B, 30D, 30E, 30H, 40B, 40E, (50 815743>), 50A, 50B, 50B MK11, 50C, 50D, 50E/EX, 50F, 50H/HX, 50H/HX"S", 50H/HX"T", 60H, 60H"S", 60HX"T"
20	S.42026 Cap - Differential Lock	898712M1	65, 165, 168, 185, 188, (240 Wet Brakes), 245, 255, 265, 270, 275, 282, 285, 290, 298, (340 Wet Brakes), 342, 350, 352, 355, 360, 362, 365, 372, 375, 382, 385, 390, 390T, 398, 399, 565, 575, 590, 595, 670, 675, 690, 698, 699, 765, 1080, 1085 Industrial 30B, 30D, 30E, 30H, 40B, 40E, 50, 50A, 50B, 50B MK11, 50C, 50D, 50E/EX, 50F, 50H/HX, 50H/HX"S", 50H/HX"T", 60H, 60H"S", 60HX"T"

MF08

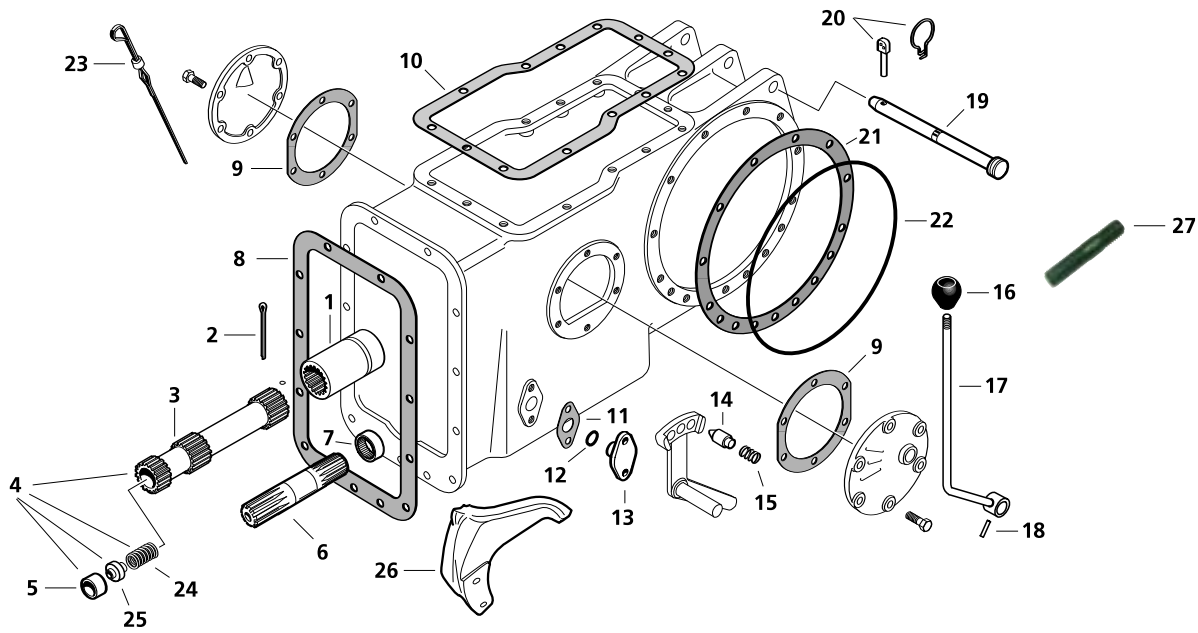


	Description	OEM Ref:	Applications
1	S.40810 Coupling (5" x 2 1/8") 10 spline	183088M1 880069M2	35, 35X, (65>564185), (133, 135E, 140, 148>9/75), (135>457362)
1	S.40812 Coupling (4" x 2 1/8") 10 spline	1871924M1	(65 564186>), (133, 135E, 140, 148 10/75>), (135 457363>), (230, 240, 250, 256>B32999), (340, 350, 355, 360, 365 Without Spacer >B32999), 550 Industrial 20C, 20D
1	S.40811 Coupling (5" x 2 1/8") 10 spline	880070M2	(165>144685), (168>258378), 175, 178, (185, 188>325657)
1	S.40813 Coupling (4" x 2 1/4") 10 spline	1871925M1, 1680189M1	(165 144686>), 152, 155, 158, (168 258379>), (185, 188 326658>), (230, 240, 250>B32999), (340, 350, 355, 360, 365 With Spacer >B32999), (375, 390, 390T, 398, 399>B32999), 565, 575, 590, 675, 690, 698 Industrial 20C, (20F Less Speedometer Drive Teeth), 30B, 30D, 30H, 40B, 40E, 50, 50B, 50B MKII, 50C, 50D, 50E/EX, 50F, 50H?HX, 50H/HX"S", 50H/HX"T", 60H, 60H"S", 60HX"T"
1	S.75193 Coupling (84mm)	3611473M1	(265 Brazil), (275 Brazil), (290 Brazil), (292 Brazil), (297 Brazil), (298 Brazil), (299 Brazil), (240 B33001>), 243, (253 B33001>), (2655, 2855 S/N>), (340, 342, 350 B33001>), 352, (355, 360, 362, 365, 375 B33001>), (375E B33001), (375E 4WD), (390, 390E B33001), (390E 4WD), (390T, 396, 398, 399 B33001), 415, (425 2WD >238493), (425 4WD >237827),(425 2WD >238493), (425 4WD >237827), (435 2WD >236860), (435 4WD >236060), (440 2WD >236369), (440 4WD >236556), (445 2WD >BS035008), (445 4WD >236223), (460 2WD >239117), (460 4WD >236903), (465 4WD >236367), (475 4WD >238868), (492 Japan Only), 650, 4215, 4220, 4225, 4235, 4240, 4245, 4255, 4260, 4265, 4270, 4315, 4320, 4325, 4335, 4345, 4355, 4360, 4365, 4370, 5335, 5355, 5360, 5365
2	S.1504 Cotter Pin (Ø5mm x 75mm) (Ø3/16" x 3")	354416X1	35, 35X, 65, 133, 135, 140, 148, 152, 155, 158, 165, 168, 175, 178, 185, 188, 230, 240, 250, 265, 275, 285, 290, 298, 340, 342, 350, 352, 355, 360, 362, 372, 375, 382, 390, 390T, 398, 399, 550, 565, 575, 590, 595, 675, 690, 698, 698T, 699, 1080, 1200, 1250 Industrial 20C, 20D, 20F, 30B, 30D, 30E, 30H, 40B, 40E, 50, 50A, 50B, 50B MKII, 50C, 50D, 50E/EX, 50F, 50H/HX, 50H/HX"S", 50H/HX"T", 60H, 60H"S", 60HX"T"
2	S.1507 Cotter Pin (Ø6.3mm x 75mm) (Ø1/4" x 3")	375094X1	2620, 2640, 2680, 2720, 3050, 3060, 3065, 3070, 3075, 3080, 3085, 3090, 3095, 3115, 3120, 3120T, 3125, 3140, 3610, 3630, 3635, 3645, 3650, 3655, 6110, 6120, 6130, 6140, 6150, 6160, 6170, 6180, 6190, 8110, 8120, 8130, 8140, 8150, 8160
3	S.42585 Shaft Transmission to rear axle	886548M1	(133, 135, 140 SN>Narrow), 152, (155, 158 SN>), (698 84>), 1004
3	S.41574 Shaft Transmission to rear axle	1866533M1	(148, 152 Heavy Duty), (168 253970>), 265, 275, 290, 298, 375, 390, 390T, 398, 399, 550, 565, 575, 590, 675, 595, 690, 698, 698T, 699, 1080 Industrial 50D, 50F
4	S.41580 Shaft & Bearing Assembly (Includes: 1 x S.41574, 1 x S.41596, 1 x S.42138 and 1 x S.42184)	1866661M91	(148, 152 Heavy Axle), (168 253970>), 265, 275, 290, 298, 375, 390, 390T, 398, 399, 550, 565, 575, 590, 595, 675, 690, 698, 698T, 699, 1080 Industrial 50D, 50F
5	S.41596 Needle Bearing	195513M1	133, 135, 135E, 140, 148, 152, 158, 165, 168, 175, 178, 185, 188, 240, 250, 253, 265, 275, 285, 290, 298, 340, 342, 350, 352, 355, 360, 362, 365, 372, 375, 382, 390, 390T, 398, 399, 550, 565, 575, 590, 675, 595, 690, 698, 698T, 699, 1080 Industrial 20C, 20D, 20F, 30B, 30D, 30E, 30H, 40B, 40E, 50, 50A, 50B, 50B MKII, 50C, 50D, 50E/EX, 50F, 50H/HX, 50H/HX"T", 60H, 60H"S", 60HX"T"
6	S.41578 Shaft - Pump to I.P.T.O. Clutch (21 Spline - Used when spacer fitted)	1868539M1	148, 152, 158, 168, 188, 250, 253, 265, 275, 285, 290, 298, 550, 565, 575, 590, 1200, 1250 Industrial (40E, 50E/EX Highway Tractor), (50H/HX, 60H Hydraulic Shuttle), 50H/HX"S", 50H/HX"T", 60H"S", 60HX"T"
7	S.40761 Needle Bearing I/D: 1 3/8" . O/D: 1 5/8" . Depth: 1/2"	195453M1	
8	S.43225 Gasket - Transmission Housing	1687785M1	275, 290, 362, 365, 375, 390, 390T, 398, 399, 698, 698T, 699, 1004T, 4215, 4220, 4225, 4235, 4240, 4245, 4255, 4260, 4265, 4270, 4315, 4320, 4325, 4335, 4345, 4355, 4360, 4365, 4370, 5335, 5340, 5355, 5360, 5365

MF08

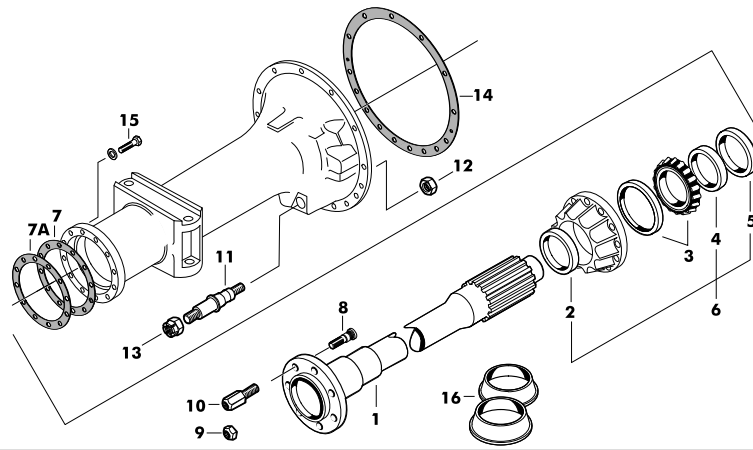
	Description	OEM Ref:	Applications
8	S.40814 Gasket Transmission to rear axle housing	3599804M2, 1861986M2	35, 35X, 65, 135, 148, 155, 158, 165, 168, 175, 178, 185, 188, 230, 240, 253, 265, 275, 290, 298, 550, 565, 575, 590, 595, 675, 690, 1200 Industrial 50, 50A, 50B, 50B MKII
9	S.3352 Gasket - Side Plates	181217M3	35, 35X, 65, 133, 135, 140, 148, 152, 155, 158, 165, 168, 175, 178, 185, 188, 230, 240, 253, 265, 275, 290, 298, 550, 565, 575, 590, 595, 675, 690, 1080, 1200, 1250 Industrial 20C, 20D, 20F, 30B, 30D, 30E, 30H, 40B, 40E, 50, 50A, 50B, 50B MKII, 50C, 50D, 50E/EX, 50F
9	S.43493 Gasket - Side Plate	1688222M2	133, 135, 145 MKIII, 145V, 152 MKIII, 152F, 152S, 152V, 158 MKIII, 158F, 158S, 158V, 168 MKIII, 168F, 168S, 230, 240, 243, 250, 253, 263, 265S, 275, 290, 340, 342, 350, 352, 352, 360, 362, 362N, 365, 372N, 375, 375E, 382N, 390, 390E, 390T, 396, 398, 399, 675, 690, 698, 698T, 699, 1004T
10	S.3396 Gasket - Hydraulic Lift Cover (0.45mm Thick)	181408M1	35, 35X, 65, (135, 165, 175, 178, 795 Early Models using 0.45mm Gaskets) Industrial (50>819319)
10	S.40816 Gasket - Hydraulic Lift Cover (0.15mm Thick)	886549M2	133, 135, 135E, 140, 148, 152, 155, 158, 165, 168, 175, 178, 185, 188, 230, 240, 250, 253, 265, 275, 285, 290, 298, 550, 565, 575, 590, 595, 675, 690, 698, 698T, 699, 765, 1080, 1200, 1250 Industrial 20C, 20D, 20F, 30B, 30D, 30H, 40B, (50 819319>), 50A, 50B, 50B MKII, 50C, 50D, 50F, 50H/HX, 50H/HX"S", 50H/HX"T", 60H, 60H"S", 60HX"T"
11	S.42069 Gasket - Pump Support Peg	180904M1	35, 35X, 65, 133, 135, 165, 168, 175, 178, 185, 188, 765 Industrial 50
12	S.1920 O'Ring 3/32" x 5/8"	851258M1	133, 135, 152, 155, 158, 165, 168, 175, 178, 185, 188, 230, 240, 250, 253, 265, 275, 285, 290, 298, 340, 342, 350, 352, 355, 362, 365, 372, 375, 382, 385, 390, 390T, 398, 399, 550, 565, 575, 590, 595, 675, 690, 698, 698T, 699, 1080, 1200, 1250 Industrial 20C, 20D, 20F, 30B, 30D, 30E, 30H, 40B, 40E, 50A, 50B, 50B MKII, 50C, 50D, 50E/EX, 50F, 50H/HX, 50H/HX"S", 50H/HX"T", 60H, 60H"S", 60HX"T"
13	S.41553 Peg - Pump Support	180905M1	35, 35X, 65, (765>609713)
13	S.3348 Peg - Pump Support	898643M1	65, 133, 135, 135MKIII, 135F, 135V, 140, 145, 145MKIII, 145V, 148, 148MKIII, 152, 152MKIII, 152F, 155, 158, 158MKIII, 158F, 158S, 158V, (165, 168 Less Handbrake), 168MKIII, 168F, 168S, (175, 175S, 178, 185, 188 Less Handbrake), 230, 231, 235, (235 Brazil), 240, 240S, 243, 245, 250, (250X Brazil), 253, 255, 260, 265, 265S, (265 Brazil), (275 Brazil), 275, 285, 285S, 290, (290 Brazil), (292 Brazil), (295 Brazil), (296 Brazil), (297 Brazil), 298, (298 Brazil), (299 Brazil), 340, 342, 350, 352, 355, 360, 362, 362N, 365, 372N, 375, 382N, 390, 390T, 396, 398, 399, (410/420), (415), (425 2WD >238493), (425 4WD >237827), (435 2WD >236860), (435 4WD >236060), (440 2WD >236369), (440 4WD >236556), (445 2WD >B5035008), (445 4WD >236223), (460 2WD >239117), (460 4WD >236903), (465 4WD >236367), (475 4WD >238868), (481 Japan Only), (492 Japan Only), 550, 565, 575, 590, 595, 660, 675, 680, 690, 698, 698T, 699, 765, 1004, 1004T, 1080, 1200, 1250, 4215, 4220, 4225, 4235, 4240, 4245, 4255, 4260, 4265, 4270, 4315, 4320, 4325, 4335, 4345, 4355, 4360, 4365, 4370, 5335, 5340, 5355, 5360, 5365 Industrial 20C, 20D, (30E, 40E U/Duncan Cab), 30H, 40B, 50, 50A, 50C, 50D,
13	S.42027 Support Peg Pump & Brake Pivot	898937M1	(165, 168, 175, 178, 185, 188 With Handbrake), (230, 240 Wet Brakes) Industrial 20F, 30B, 30D, (30E, 40E With Duncan Cab)
14	S.41550 Plunger Length 30mm	180418M1, 180418M2	35, 35X, 65, 133, 135, 140, 148, 152, 155, 158, 165, 168, 175, 178, 185, 188, 230, (235 Brazil), 240 (250X Brazil), 250, 253, (265 Brazil), (275 Brazil), (290 Brazil), (292 Brazil), (296 Brazil), (297 Brazil), (298 Brazil), (299 Brazil), 340, 342, 350, 352, 355, 362, 365, 372, 375, 382, 385, 390, 390T, (410/420), (415), (425 2WD >238493), (425 4WD >237827), (435 2WD >236860), (435 4WD >236060), (440 2WD >236369), (440 4WD >236556), (445 2WD >B5035008), (445 4WD >236223), (460 2WD >239117), (460 4WD >236903), (465 4WD >236367), (475 4WD >238868), (481 Japan Only), (492 Japan Only), 550, 565, 575, 590, 675, 690 Industrial 20C, 20D, 30B, 30D, 30E, 30H, 50, 50A, 50B, 50B, 50C, 50D, 50E, 50F
15	S.41974 Plunger Spring Length 30mm	180417M1, 191221M1	(250X Brazil), (265 Brazil), (275 Brazil), (283 Brazil), (290 Brazil), (292 Brazil), (297 Brazil), (298 Brazil), (299 Brazil), 415, (425 2WD >238493), (425 4WD >237827), (435 2WD >236860), (435 4WD >236060), (440 2WD >236369), (440 4WD >236556), (445 2WD >B5035008), (445 4WD >236223), (460 2WD >239117), (460 4WD >236903), (465 4WD >236367), (475 4WD >238868), (481 Japan Only), (492 Japan Only), 550, 565, 575, 590, 675, 690 Industrial 20C, 20D, 30B, 30D, 30E, 30H, 50, 50A, 50B, 50B, 50C, 50D, 50E, 50F
15	S.107381 Spring	3585797M1	(250X Brazil), (265 Brazil), (275 Brazil), (283 Brazil), (290 Brazil), (292 Brazil), (297 Brazil), (298 Brazil), (299 Brazil), 415, (425 2WD >238493), (425 4WD >237827), (435 2WD >236860), (435 4WD >236060), (440 2WD >236369), (440 4WD >236556), (445 2WD >B5035008), (445 4WD >236223), (460 2WD >239117), (460 4WD >236903), (465 4WD >236367), (475 4WD >238868), (481 Japan Only), (492 Japan Only)
16	S.41878 Knob - P.T.O. Lever	1877461M1	133, 135, 140, 148, 152, 155, 158, 165, 168, 175, 178, 185, 188, 230, 240, 250, 253, 265, 275, 285, 290, 340, 342, 350, 352, 355, 362, 365, 372, 375, 382, 385, 390, 390T, 550, 565, 575, 590, 675, 690 Industrial 20C, 20D, 20F, 30B, 30D, 30E, 40B, 4E, 50, 50C, 50E
17	S.42183 Lever - P.T.O.	1672622M94	
18	S.1138 Roll Pin Ø5/16" x 1 1/2". Din No. 1481. Single Pin Total Shear Strength: 11500 lbs (5217kg). Additional Shear Strength can be obtained by inserting a second & smaller pin inside the first.	357661X1	
19	S.70 Hinge Pin	4114	TE20, TEA20, TED20, TEF20, TO20
19	S.71 Hinge Pin	180901M1, 180901M91	35, 35X, 65, 133, 135, 135MKIII, 135E, 135F, 135V, 140, 145, 145MKIII, 145V, 148, 148MKIII, 152, 152MKIII, 152F, 155, 158, 158MKIII, 158F, 158S, 158V, 165, 165MKIII, 168, 168MKIII, 168F, 168S, 175, 175S, 178, 185, 188, 230, 231, 235, 240, 240S, 243, 245, 250, 253, 255, 263, 265, 275, 285, 290, 298, 340, 342, 350, 352, 355, 362N, 365, 372N, 375, 382N, 390, 390E, 390T, 396, 398, 399, 415, 425, 435, 440, 445, 550, 565, 575, 590, 592, 595, 675, 690, 698, 698T, 699, 765, 1004, 1004T, 1080, 4215, 4220, 4225, 4235, 4240, 4245, 4255, 4260, 4265, 4270 Industrial 20C, 20D, 20F, 30B, 30D, 30E, 40B, 40E, 50, 50C, 50E

MF08



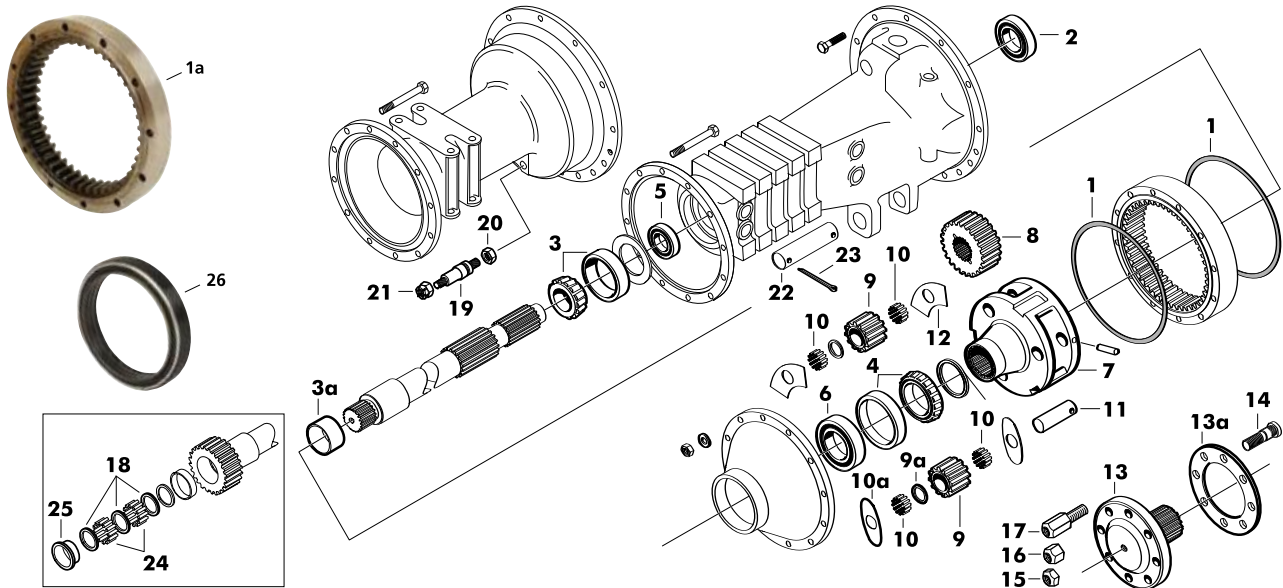
		Description	OEM Ref:	Applications
20	S.6	Linch Pin (Pear) Linch Pin (Pear) (11 x 44.5mm)	810285M91	TE20, TEA20, TED20, TEF20, TO20, 35, 35X, 65, 133, 135, 140, 148, 152, 155, 158, 165, 168, 175, 178, 185, 188, 230, 240, 250, 253, 265, 275, 285, 290, 340, 342, 350, 352, 355, 362, 365, 372, 375, 382, 385, 390, 390T, 550, 565, 575, 590, 595, 675, 690, 765 Industrial 20C, 20D, 20F, 30B, 30D, 30E, 40B, 40E, 50, 50C, 50E
21	S.40922	Gasket - Trumpet Housing	183254M1	(TEA20, TED20, TEF20 325001>), 35, 35X, 133, 135, 140, 148, (165, 168, 175, 178, 185, 188, 230, 240, 340 Dry Brakes), 342, 550 Industrial 20C, 20D, (50, 50B Dry Brakes)
22	S.40923	O'Ring - Housing	1860838M2	152, 155, 158, (165, 168, 185, 188, 240 Wet Brakes), 250, (250 Brazil), 253, 265, (265 Brazil), 275, (275 Brazil), (283 Brazil), 285, 290, (290 Brazil), (292 Brazil), (297 Brazil), 298, (298 Brazil), (299 Brazil), (340 Wet Brakes), 342, 350, 352, 355, 360, 362, 372, 375, 382, 390, 390T, 398, 399, (415), (425 2WD >238493), (425 4WD >237827), (435 2WD >236860), (435 4WD >236060), (440 2WD >236369), (440 4WD >236556), (445 2WD >B5035008), (445 4WD >236223), (460 2WD >239117), (460 4WD >236903), (465 4WD >236367), (475 4WD >238868), (481 Japan Only), (492 Japan Only), 550, 675, 690, 698, 698T, 1200, 1250 Industrial 20C, 20D, 20F, 30B, 30D, 30E, 30H, 40B, 40E, 50, 50A, 50B, 50B MKII, 50C, 50D, 50E/EX, 50F, 50H/HX, 50H/HX"S", 50H/HX"T", 60H, 60H"S", 60HX"T"
23	S.40823	Dipstick (Transmission)	828810M91 1665962M91	35, 35X, 65, 133, 135, 140, 148, 152, 155, 158, 165, 168, 175, 178, 185, 188, 230, 240, 250, 253, 265, 275, 285, 290, 340, 342, 350, 352, 355, 362, 365, 372, 375, 382, 385, 390, 390T, 550, 565, 575, 590, 675, 690, 698, 765 Industrial 20C, 20D, 20F, 30B, 30D, 30E, 30H, 40B, 40E, 50A, 50B, 50B MKII, 50C, 50D, 50E/EX
23	S.43435	Dipstick (Transmission) Effective length from under the grip is 480mm, high & low marks are at 395 & 440mm respectively	3614442M91	340, 342, 350, 352, 355, 360, 362, 362N, 365, 372N, 375, 382N, 390, 390T, 396, 398, 398, 399
24	S.42138	Gearbox Spring	886352M1	133, 135, 140, 148, 152, 155, 158, 165, 168, 175, 178, 185, 188, 230, 240, 250, 253, 265, 275, 285, 290, 340, 342, 350, 352, 355, 362, 365, 372, 375, 382, 385, 390, 390T, 396, 398, 399, 550, 565, 575, 590, 595, 675, 690, 698 Industrial 20C, 20D, 20F, 30B, 30D, 30E, 30H, 40B, 40E, 50A, 50B, 50B MKII, 50C, 50D, 50E/EX
25	S.42184	Abutment	886353M1	133, 135, 140, 148, 152, 155, 158, 165, 168, 175, 1178, 185, 188, 230, 240, 250, 253, 265, 275, 285, 290, 340, 342, 350, 352, 355, 362, 365, 372, 375, 382, 385, 390, 390T, 396, 398, 399, 550, 565, 575, 590, 595, 675, 690, 698 Industrial 20C, 20D, 20F, 30B, 30D, 30E, 30H, 40B, 40E, 50A, 50B, 50B MKII, 50C, 50D, 50E/EX
26	S.43476	Thrust Bracket	825774M2	(TEA20, TED20, TEF20 325001>), FE35, 35, 35X, 133, 135, 148, 230, 231, 235, 240, 240S, 245, 250, 340, 550
27	S.43894	Stud Kit (4pcs)	1860900M1	133, 133 MKIII, 135, 135 MKIII, 135V, 135 V/S, 145, 145 MKIII, 145V, 145 V/S, 148, 148 MKIII, 152, 152 MKIII, 152 MKIII, 152 V/S, 152F, 155, 158, 158 MKIII, 158F, 158S, 158V, 165, 168, 168 MKIII, 168F, 168S, 175, 178, 185, 188, 230, 231, 235, 240, 240S, 243, 245, 250, 253, 255, 260, 261, 263, 265, 265S, 268, 270, 275, 280, 283, 285, 285S, 290, 298, 340, 342, 350, 352, 355, 360, 362, 365, 372N, 375, 375E, 382N, 390, 390E, 390T, 396, 398, 399, 415, 425, 435, 440, 445, 460, 465, 475, 481, 492, 550, 560, 565, 575, 590, 650, 675, 690, 698, 698T, 699, 1004, 1004T, 2605, 2615, 2625, 2635, 5335, 5340, 5355, 5360, 5365

MF08



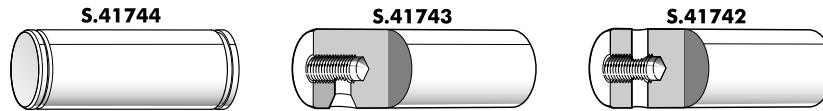
	Description	OEM Ref:	Applications
1	S.42036 Halfshaft - Rear Axle	897038M91	133, 135, 140, 148, 230, (240, 340 Drum Brakes), 550 Industrial 20C, 20D
2	S.41416 Seal - Outer Halfshaft	2171, 890640M1	TE20, TEA20, TED20, TEF20, TO20 325001>
2	S.5946 Seal - Outer Halfshaft	195677M1	35, 35X, 133, 135, 140, 148, 230, (240, 340 Drum Brakes), 550 Industrial 20C, 20D
3	S.18516 Tapered Roller Bearing - Timken Type (I/D 50.80mm O/D 93.26mm Depth 30.30mm)	646620M91, 882554M91	(265 Brazil), (275 Brazil), (283 Brazil), (290 Brazil), (292 Brazil), (295 Brazil), (296 Brazil), (297 Brazil), (298 Brazil), (299 Brazil), (425 2WD >238493), (425 4WD >237827), (435 2WD >236380), (435 4WD > 236060), (440 2WD > 236369), (440 4WD >236556), (445 2WD >BS035008), (445 4WD >236223), (460 2WD >239117), (460 4WD >236903), (465 4WD >236367), (475 4WD >238868)
3	S.5945 Tapered Roller Bearing - Timken Type I/D: 57.15mm O/D: 104.78mm Depth: 29.32mm	1850088M91	35, 35X, 133, 135, 140, 148, 230, (240, 340 Drum Brakes), 550 Industrial 20C, 20D
4	S.41407 Collar - Shrink On	1174, 890543M1	TE20, TEA20, TED20, TEF20, TO20
4	S.5695 Collar - Shrink On	180596M1	35, 35X, 133, 135, 140, 148, 230, (240, 340 Drum Brakes), 550 Industrial 20C, 20D
5	S.41417 Seal - Inner Halfshaft (Leather Wiper)	104628, 195555M1	(TE20, TEA20, TED20, TEF20, TO20 325001>)
5	S.5947 Seal - Inner Halfshaft	195678M1	35, 35X, 133, 135, 140, 148, 230, (240, 340 Drum Brakes), 550 Industrial 20C, 20D
6	S.5948 Half Shaft Repair Kit Contains: 1 x S.5695, 1 x S.5945, 1 x S.5946 and 1 x S.5947	-	35, 35X, 133, 135, 140, 148, 230, (240, 340 Drum Brakes), 550 Industrial 20C, 20D
6	S.42078 Half Shaft Repair Kit -TE20 Contains 1 x S.41416, 1 x S.41417, 1 x S.41407	-	TE20, TEA20, TED20, TEF20, TO20
7	S.42035 Shim Washer 0.5mm	183261M1	35, 35X, 133, 135, 140, 148, 230, (240, 340 Drum Brakes), 550 Industrial 20C, 20D
7a	S.42622 Gasket - Half Shaft Outer	1076	TE20, TEA20, TED20, TEF20, TO20, 35 >77628
8	S.1751 Wheel Stud (Knurled) Size 9/16" x 1 15/16" (UNF) (Grip 0.643")	185400M1 825507M1	TE20, TEA20, TED20, TEF20, TO20, 35, 35X, 122, 130, 133, 135, 140, 148, 230, 231, 235, 240, 240S, 245, 250, 340, 342, 550 Seed Drill 30-7
9	S.1752 Wheel Nut - Centre to Outer Disc (Cone - 9/16" UNF)	180004M1	65, 133, 135, 145, 148, 152, 155, 158, 165, 168, 175, 178, 185, 188, 240, 250, 260, 265, 275, 285, 290, 560, 565, 575, 590, (675>84), 690, 765, 865
10	S.40241 Adaptor - Dual Wheel (9/16" UNF Female x 9/16" UNF Male)	818017M1	TE20, TEA20, TED20, TEF20, TO20, 35, 35X, 133, 135, 140, 148, 230, 240, 340, 342, 550 Industrial 20C, 20D
11	S.43968 Lower Link Mounting Pin	1025	TE20, (TEA20, TED20, TEF20>325000)
11	S.1700 Lower Link - Mounting Pin (Tapered)	181229M5	(TEA20, TED20, TEF20 325001>), 35, 35X, (133, 135, 140, 148 Cat I)
11	S.4985 Lower Link - Shaft Cat 2 - Taper	1867851M2/M3	(133, 135, 140, 148 Cat II), 230, 235, (240>522353), 250, (340 With Drum Brakes), 353, 550
12	S.4961 Self Locking Nut 5/8" UNF. Din No. 985. Grade 8.8	376450X1	(TEA20, TED20, TEF20 325001>), 35, 35X, (133, 135, 140, 148 Cat I)
13	S.8933 Castle Nut 5/8" UNF	353927X1	(TEA20, TED20, TEF20 325001>), 35, 35X, (133, 135, 140, 148 Cat I)
13	S.40213 Slotted Nut 3/4" UNF. Supercedes S.17463	353928X1	65, (133, 135, 140 Narrow Tractor), 145, 152, 155, (165>597745), 175, 178, 765, 865
14	S.40922 Gasket - Trumpet Housing	183254M1	(TEA20, TED20, TEF20 325001>), 35, 35X, 133, 135, 140, 148, (165, 168, 175, 178, 185, 188, 230, 240, 340 Dry Brakes), 342, 550 Industrial 20C, 20D, (50, 50B Dry Brakes)
14	S.43989 Gasket (20)	4112	(TEA, TED, TEF20 >325000)
15	S.4903 Setscrew (UNF) 7/16" x 2" UNF. Din No. 933. Grade 8.8	353567X1	TEA20, TED20, TEF20, 35, 35X, 133, 135, 140, 148, 230, 240, 340, 342, 550 Industrial 20C, 20D
16	S.61512 Seal - Rear Axle Sure seals - set of 2 Can be fitted without removing collar and bearing	-	(TE20, TEA20, TED20, TEF20, TO20 >325000)

MF08



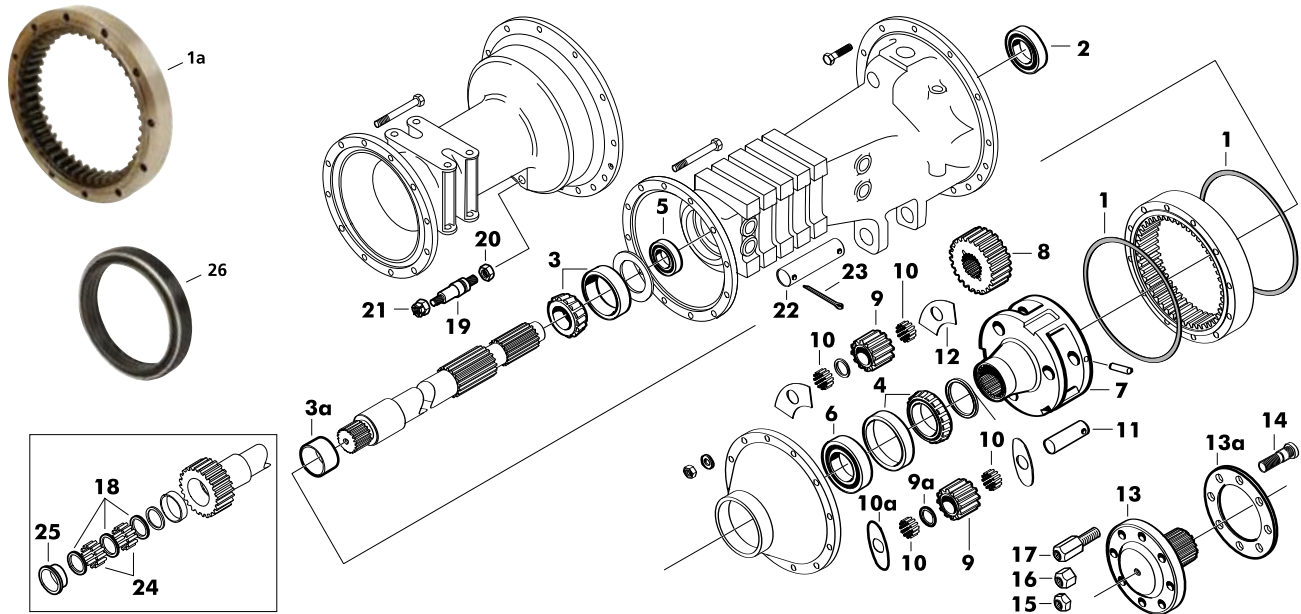
	Description	OEM Ref:	Applications
1	S.40921 Gasket - Epicyclic Housing	191141M1, 184182M3	65, 152, 155, 158, 165, 168, 175, 178, 185, 188, 250, 253, 265, (275>P12018), (290>06156), 565, 575, 590, 675, (690 Normal Duty), 765, Industrial 20F, 30B, 30D, 30E, 30H, 40B, 40E, 50, 50A, 50B, 50S MKII, 50C, 50D, 50E/EX, 50F, 50H.HX, 50H/HX"S", 60H, 60H"S"
1	S.43513 Gasket - Rear Axle	191141M1, 184182M3	(188 Germany), 275, 285, 290, 298, (390, 398, 399>P40085), 575, 590, 592, 595, 675, 690, 698, 698T, 699, 1004, 1004T, 1080, 1085, 5355, 5365
1a	S.107383 Ring Gear	894772M2	415, (425 2WD >238493), (425 4WD >237827), (435 2WD 435 >236380), (435 4WD >236060), (440 2WD >236369), (440 4WD >236556)
2	S.43565 Gasket - Rear Axle	3759196M1	(240 A51163>), 243, 253, (275, 290 A51163>), (340, 342 Wet Brakes), (350 12/92>), 352, (355, 360, 362 12/92>), 362N, (365, 372N, 375 12/92>), (375E A51163>), 382N, (390 12/92>), (390E A51163>), (390T, 396 12/92>), 399, 4215, 4220, 4225, 4235, 4240, 4245, 4255, 4260, 4315, 4320, 4325, 4335, 4360
2	S.43524 O'Ring - Rear Axle	3611459M1	(275, 290, 375E>A51162), (390 P40085>12/92), (390E>A51162), (398, 399 P40085>12/92)
2	S.40908 Seal - Transmission to Brake Housing	881021M93	65, (165>597745), 175, 178, 765 Industrial (50>826599)
3	S.65479 Tapered Roller Bearing - Timken Type (I/D 66.68mm O/D 110.00mm Depth 22.00mm)	1851392M91	65, 765
3	S.40926 Tapered Roller Bearing - Timken Type (I/D 82.55mm O/D 125.41mm Depth 25.40mm)	1881931M91	152, 155, 158, 165, 168, 175, 178, 185, 188, 250, (250X Brazil), 253, 265, (265 Brazil), 270, 275, (275 Brazil), 282, 285, 290, (290 Brazil), (292 Brazil), (295 Brazil), (296 Brazil), (297 Brazil), (298 Brazil), (299 Brazil), 350, 352, 355, 360, 362, 365, 372, 375, 382, 390, 390T, 398, 399, (410/420), (440 2WD >236369), (440 4WD >236556), (445 2WD >B5035008), (445 4WD >236223), (460 2WD >239117), (460 4WD >236903), (465 4WD >236367), (475 4WD >238868), (492 Japan Only), 565, 575, 590, 595, 675, 690, 698, 698T, 699, 1080 Industrial 20F, 30B, 30D, 30E, 40B, (40E Normal Duty), 50, 50A, 50C, 50D, (50E/EX Normal Duty), 50F, 50H/HX, 60H
3a	S.43477 Bush - Rear Axle	894778M1	65, 133N, 135N, 140N, 145, 152, 155, 158, 165, 168, 175, 175S, 188, 185, 188, 235, 240, 243, 250X 253, 255, 260, 261, 265, 265S, 275, 285, 285S, 290, 292, 295, 297, 298, 299 350, 352, 355, 360, 362, 362N, 365, 372N, 375, 382N, 390, 390E, 390T, 396, 399, (410/420), (415), (425 2WD >238493), 425, 435, 440, (445 2WD >B5035008), (445 4WD >236223), (460 2WD >239117), (460 4WD >236903), (465 4WD >236367), (475 4WD >238868), (481 Japan Only), (492 Japan Only), 560, 565, 575, 590, 675, 690, 1200, 4225, 4235, 4240, 4245, 4255, 4260, 4265, 4270, 4315, 4320, 4325, 4335, 4345, 4355, 4360, 4370, 5335, 5340, 5355, 5360, 5365
4	S.18501 Tapered Roller Bearing - Timken Type (I/D 66.68mm O/D 110.00mm Depth 22.00mm)	1851392M91	65, 152, 155, 158, 165, 168, 175, 178, 185, 188, 250, 253, 265, 270, (275, 282, 285 Normal Duty), 565, 575, 675, 765 Industrial 20F, 30B, 30D, 30E, 40B, (40E Normal Duty), 50, 50A, 50C, 50D, (50E/EX Normal Duty), 50F, 50H/HX, 60H
4	S.41455 Tapered Roller Bearing - Timken Type (I/D: 73.03mm O/D: 112.71mm Depth: 25.40mm)	1860503M92	(275, 282, 285 Heavy Duty), 290, 350, 352, 355, 360, 362, 365, 372, 375, 382, 390, 390T, 398, 399, 590, 595, 675, 690, 698, 698T, 699, 1080 Industrial (40E, 50E/EX Heavy Duty)
5	S.41549 Seal - Inner Halfshaft	881991M1	65, 152, 765
5	S.40919 Seal - Inner Halfshaft (Dry Disc Brakes)	894782M2	133, 135, (140 Germany), 145, 152, 155, 158, (165>597745), 165MKIII, 175, 175S, 178, 595, 1080, 1200 Industrial (50>826599), 50A, 50C, 50E, 50EX
5	S.40918 Seal - Inner Halfshaft	1860954M1	155, 158, (165 100001>), 168, 185, 188, (265 Brazil), (275 Brazil), (290 Brazil), (292 Brazil), (296 Brazil), (297 Brazil), 298, (298 Brazil), (299 Brazil), (390, 390T Heavy Duty), 398, 399, (425 2WD >238493), (425 4WD >237827), (435 2WD >236860), (435 4WD >236060), (440 2WD >236369), (440 4WD >236556), (445 2WD >B5035008), (445 4WD >236223), (460 2WD >239117), (460 4WD >236903), (465 4WD >236367), (475 4WD >238868), (481 Japan Only), 565, 575, 590, 595, 698T, 699, 1080, 1200, 1250 Industrial 30B, 30D, 40B, (50>875299), 50B, 50B MKII11, 50C152
5	S.42157 Seal (190 x 220 x 20mm)	3429815M1	364F, 364S, 364V, 374AQ, 374F, 374S, 374V, 384AQ, 394AQ, 394H, 394S
5	S.42158 Seal (170 x 200 x 15mm)	395521X1	184F, 184S, 194S
6	S.41548 Seal - Outer Halfshaft	966238M1	65, 152, 765
6	S.40916 Seal - Outer Halfshaft	834220M1, 894763M3	155, 158, 165, 168, 175, 178, 185, 188, 250, 253, 265, 270, 275, 282, 285, 565, 575, 590, 595, 675, 690, 698, 698T, 699, 1080, 1200, 1250 Industrial 20F, 30B, 30D, 30E, 30H, 40B, 40E, 50, 50A, 50C, 50E/EX, 50F, 50H/HX, 50H/HX"S", 50H/HX"TT", 60H, 60H"S", 60HX"TT"
6	S.43591 Seal - Outer Halfshaft	3699800M2	350, 352, 355, 360, 362, 365, 372, 375, 382, 390, 390T, 398, 399

MF08



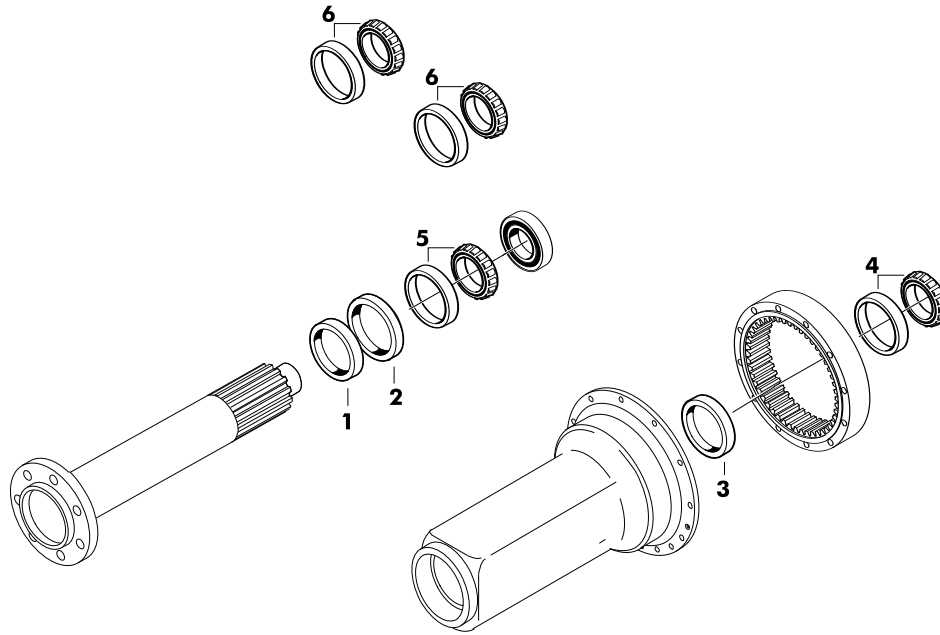
		Description	OEM Ref:	Applications
7	S.41573	Carrier Unit - Epicyclic Gears (25 Spline - 3 Gear Type)	1864872M3	158, (165 106744>), (168 252291>), 175, 178, 185, 188, 250, 253, 265, 270, 275, 282, 285, 350, 352, 355, 360, 362, 365, 372, 375, 382, 390, 390T, 565, 575, 590, 675, 690 Industrial 20F, 30B, 30D, 30E, 30H, 40B, (40E Normal Duty), 50, 50A, 50C, (50E/EX Normal Duty)
8	S.41869	Gear - Central Epicyclic	897005M1	152, 158, 165, 168, 175, 178, 185, 188, 250, (250X Brazil), 253, 265, (265 Brazil), 270, 275, (275 Brazil), 282, (283 Brazil), 285, (290 Brazil), (410/420), (425 2WD >238493), (425 4WD >237827), 430, (435 2WD >236860), (435 4WD >236060), (440 2WD >236369), (440 4WD >236556), (481 Japan Only), 565, 575, 590, 675 Industrial 20F, 30B, 30D, 30E, 30H, 40B, 40E, 50, 50A, 50B, 50B, 50C, 50D, 50E/EX, 50F, 50H/HX, 50H/HX"S", 60H, 60H"S"
9	S.40927	Gear - Pinion Epicyclic	894769M1	65, 145, 152, 158, 165, 168, 175, 178, 185, 188, 250, (250X Brazil), 253, 265, (265 Brazil), 270, 275, (275 Brazil), 282, (283 Brazil), (290 Brazil), (410/420), (425 2WD >238493), (425 4WD >237827), 430, (435 2WD >236860), (435 4WD >236060), (440 2WD >236369), (440 4WD >236556), (481 Japan Only), 565, 575, 590, 675, 765 Industrial 20F, 30B, 30D, 30E, 30H, 40B, 40E, 50, 50A, 50B, 50B MKII, 50C, 50D, 50E/EX, 50F, 50H/HX, 50H/HX"S", 60H, 60H"S"
9a	S.43480	Washer - Differential	184196M1	65, 133N, 135N, 140N, 145, 152, 152F, 155, 158, 158F, 158S, 158V, 165, 168, 168F, 168S, 175, 175S, 178, 185, 188, 240 522354> / >A20286), (240 >522353), (250X Brazil), (265 Brazil), (275 Brazil), (290 Brazil), (292 Brazil), (297 Brazil), (298 Brazil), (299 Brazil), 255, 260, (265 193552>), (265 >193552), 285, 415, (425 2WD >238493), (425 4WD >237827), (435 2WD >236380), (435 4WD >236060), (440 2WD >236369), (440 4WD >236556), (445 2WD >BS035008), (445 4WD >236223), (460 2WD >239117), (460 4WD >236903), (465 4WD >236367), (475 4WD >238868), (481 Japan Only), (492 Japan Only), 560, 565, 575, 590, (650 (BR for EAME), 660 (BR for EAME), 675, 680, 690, 765, 865, 1200
10	S.42070	Needle Bearing	184742M1	65, 145, 152, 158, 165, 168, 175, 178, 185, 188, 250, (250X Brazil), 253, 265, (265 Brazil), 275, (275 Brazil), 282, (283 Brazil), 285, (290 Brazil), (410/420), (425 2WD >238493), (425 4WD >237827), 430, (435 2WD >236860), (435 4WD >236060), (440 2WD >236369), (440 4WD >236556), (481 Japan Only), 565, 575, 590, 675, 765 Industrial 20F, 30B, 30D, 30E, 30H, 40B, 40E, 50, 50A, 50B, 50B MKII, 50C, 50D, 50E/EX, 50F, 50H/HX, 50H/HX"S", 60H, 60H"S"
10a	S.73571	Washer - Differential	184441M1	133N, 135N, 140N, 145, 152, 155, 158, 165, 168, 175, 175S, 188, 185, 188, 243, 253, 255, 260, 261, 265, (265 Brazil), (275 Brazil), (283 Brazil), (290 Brazil), 265S, 275, 285, 425, 435, 440, 445, 460, 465, 560, 565, 575, 590, 1200, 1250, 5335, 5340, 5355, 5360, 5365
11	S.41744	Shaft - Pinion Gear	184202M1, 1868115M1	65, 152, 765
11	S.41743	Shaft - Pinion Gear	894799M1	(165>597745), 175, 178 Industrial (50>826599)
11	S.41742	Shaft - Pinion Gear	1864869M1	158, (165 106744>), 168, 185, 188, 250, 253, 260, 265, 275, 285, 290, 350, 352, 355, 360, 362, 365, 372, 375, 382, 385, 390, 390T, 565, 575, 590, 675, 690 Industrial 20F, 30B, 30D, 30E, 30H, 40B, 40E, (50 831557>), 50A, 50B, 50B MKII, 50C, 50D, 50E/EX, 50F, 50H/HX, 50H/HX"S", 60H, 60H"S", 50H/HX"TI", 60H/HX"TI"
12	S.5595	Thrust Washer (Epicyclic)	894867M1, 1866543M1	158, (165>551914), 250, 253, 260, (265 Brazil), (275 Brazil), (283 Brazil), (290 Brazil) 350, 352, 355, 360, 362, 365, 372, 375, 382, 385, 390, 390T, (410/420), (425 2WD >238493), (425 4WD >237827), 430, (435 2WD >236860), (435 4WD >236060), (440 2WD >236369), (440 4WD >236556), (481 Japan Only), 565, 575, 590, 675 Industrial 20F, 30B, 30D, 30E, 30H, 40B, 40E, (50 831557>), 50A, 50B, 50B MKII, 50C, 50D, 50E/EX, 50F, 50H/HX, 50H/HX"S", 60H, 60H"S", 50H/HX"TI", 60H"TI"
13	S.41572	Axle Shaft	884847M92, 884850M3	158, 165, 168, 175, 178, 185, 188, 250, 253, 260, 265, 275, 285, (290 Normal Duty), 350, 352, 355, 360, 362, 365, 372, 375, 382, 385, (390, 390T Normal Duty), 565, 575 Industrial 20F, 30B, 30D, 30E, 40B, (40E Normal Duty) (50>819990), 50A
13a	S.43481	Washer - Rear Axle	894756M1	133, 135 MKIII, 135V, (135 North America), 145, 145V, 152, 152F, 152V, 155, 158, 165, 168, 175, 175S, 178, 185, 188, 240, 243, 250, (250X Brazil), 253, 255, 260, 261, 263, 265, (265 Brazil), (275 Brazil), 275, 285, 290, (290 Brazil), 298, 350, 352, 355, 360, 362, 362N, 365, 372N, 375, 375E, 382N, 390, 390E, 390T, 396, 398, 399, 410, 415, 425, 430, 435, 440, 445, 460, 465, 475, 481 (Japan Only), 560, 565, 575, 590, 592, 595, 650, 660, 675, 680, 690, 698, 699, 1004, 1004T, 1080, 1085, 1200, 4215, 4220, 4225, 4235, 4340, 4245, 4255, 4260, 4265, 4270, 4315, 4320, 4325, 4335, 4345, 4355, 4360, 4365, 4370, 5335, 5340, 5355, 5360, 5365
14	S.1753	Wheel Stud (Knurled) Size 5/8" x 2" (UNF) (Grip 7/10")	184272M2	65, 152, 158, 765
14	S.2743	Wheel Stud (Knurled) Size 5/8" x 2 3/16" (UNF) (Grip 0.71")	893017M2	158, 165, 168, 175, 178, 185, 188, 250, 265, 565, (575, 590 Normal Duty), (675, 690 Normal Duty) Industrial 20F, 30B, 30D 40B, (40E Normal Duty), (50>819990), 50A, 50C
14	S.41312	Wheel Stud (Knurled) Size 1 1/16" x 2 3/8" (UNF)	3412644M2	158, 253, (265 Brazil), 275, (275 Brazil), (283 Brazil), 285, 290, (290 Brazil), (292 Brazil), (297 Brazil), 298, 350, 352, 355, 360, 362, 365, 372, 375, 382, 390, 390T, 398, 399, (425 2WD >238493), (425 4WD >237827), (435 2WD >236860), (435 4WD >236060), (440 2WD >236369), (440 4WD >236556), (445 2WD >BS035008), (445 4WD >236223), (460 2WD >239117), (460 4WD >236903), (465 4WD >236367), (481 Japan Only), (492 Japan Only), (575, 590, 675, 690 Heavy Duty), 595, 698, 698T, 699, 1080, 1200, 1250 Industrial 20F, 40E (Turf Tractor only), 50B, 50B MKII

MF08



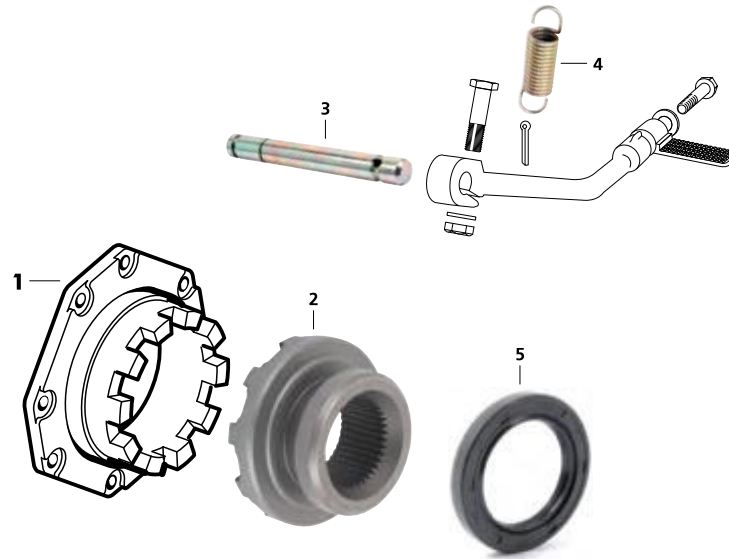
	Description	OEM Ref:	Applications
15	S.1754 Wheel Nut (Cone) Size 5/8" (UNF)	184273M1	65, 152, 158, 765
16	S.2742 Wheel Nut (Cone) (5/8" UNF)	881162M2	158, 165, 168, 175, 185, 188, (235 Brazil), (250X Brazil), (265 Brazil), (275 Brazil), (283 Brazil), (290 Brazil), (292 Brazil), (295 Brazil), (296 Brazil), (297 Brazil), (298 Brazil), (299 Brazil), (410/420), (415), (425 2WD >238493), (425 4WD >237827), (435 2WD >236860), (435 4WD >236060), (440 2WD >236369), (440 4WD >236556), (445 2WD >BS035008), (445 4WD >236223), (460 2WD >239117), (460 4WD >236903), (465 4WD >236367), (475 4WD >238868), 565, (575, 590 Normal Duty), (675, 690 Normal Duty) Industrial 20F, 30B, 30D, 40B, (40E Normal Duty), (50>819990), 50A, 50C
16	S.41313 Wheel Nut (Cone) Size 1 1/16" (UNF)	847417M1	158, 253, (265 Brazil), 275, (275 Brazil), 285, 290, (290 Brazil), (292 Brazil), (295 Brazil), (297 Brazil), 298, 350, 352, 355, 360, 362, 365, 372, 375, 382, 390, 390T, 398, 399, (415), (425 2WD >238493), (425 4WD >237827), (435 2WD >236860), (435 4WD >236060), (440 2WD >236369), (440 4WD >236556), (445 2WD >BS035008), (445 4WD >236223), (460 2WD >239117), (460 4WD >236903), (465 4WD >236367), (475 4WD >238868), (481 Japan Only), (575, 590, 675, 690 heavy duty), 595, 698, 698T, 699, 1080, 1200, 1250 models with pressed steel wheel centres only) Industrial 20F, 40E (Turf Tractor Only), 50B, 50B MKII
17	S.40242 Adaptor - Dual Wheel (5/8" x 5/8" UNF)	1863857M1	158, 165, 168, 175, 185, 188, 250, 265, 565, (575, 590 Normal Duty), (675, 690 Normal Duty) Industrial 20F, 30B, 30D, 40B, (40E Normal Duty), (50>819990), 50A, 50C
17	S.16028 Adaptor - Dual Wheel (3/4" x 3/4" UNF)	-	(158, 253, 275, 285, 290, 298, 350, 352, 355, 360, 362, 365, 372, 375, 382, 390, 390T, 398, 399, (415), 398, 399, (575, 590, 675, 690 heavy duty), 595, 698, 698T, 699, 1080, 1200, 1250 Models with pressed steel wheel centres only) Industrial 20F, 40E (Turf Tractor only), 50B, 50B MKII
18	S.41871 Spacer - Halfshaft to Axle Shaft	185311M1	(65 506683>), (133, 135, 140, 152 Narrow Axle), 145, 155, 165, 765
19	S.1701 Lower Link - Mounting Pin 3/4" UNF	184356M1 893419M1	65 (133, 135, 140 Narrow Tractor), 145, 152, 155, (165>597745), 175, 178, 765, 865
20	S.4961 Self Locking Nut 5/8" UNF. Din No. 985. Grade 8.8	376450X1	(TEA20, TED20, TEF20 325001>), 35, 35X, (133, 135, 140, 148 Cat 1)
21	S.40213 Slotted Nut 3/4" UNF. Supercedes S.17463	353928X1	65, (133, 135, 140 Narrow Tractor), 145, 152, 155, (165>597745), 175, 178, 765, 865
22	S.41013 Lower Link - Shaft Supercedes S.41012	1695314M1 1867243M1 9062363M2	(165 100001>), 168, 185, 188, (240 522354>), 250, 253, 255, 265, (275 P12018>), 285, (290 P06156>), 340, 342, 350, 352, 355, 360, 362, 365, 372, 375, 382, 382N, 390, 396, 560, 565, 575, 675, 690, 1200
23	S.1509 Cotter Pin (Ø8mm x 63mm) (Ø5/16" x 2 1/2")	354101X	165, 168, 185, 188, (240 522354>), 250, 253, 255, 265, 275, 285, 290, 340, 342, 350, 352, 355, 360, 362, 365, 372N, 375, 382, 382N, 390, 390T, 396, 560, 565, 575, 675, 690, 1200
24	S.42147 Needle Bearing	831675M1	(65 506683>), (133, 135, 140, 152 Narrow Axle), 145, 155, 165, 765
25	S.42145 Bearing	185333M1	(65 506683>), (133, 135, 140, 152 Narrow Axle), 145, 155, 165, 765
26	S.107382 Seal - Final Drive	022517P1, 6208335M1	(265 Brazil), (275 Brazil), (283 Brazil), (290 Brazil), (292 Brazil), (297 Brazil), (425 2WD >238493), (425 4WD >237827), (435 2WD >236860), (435 4WD >236060), (440 2WD >236369), (440 4WD >236556), (445 2WD >BS035008), (445 4WD >236223), (460 2WD >239117), (460 4WD >236903), (465 4WD >236367), (481 Japan Only), (492 Japan Only)

MF08



	Description	OEM Ref:	Applications
1	S.43504 Seal - Rear Axle (Outer)	3619137M1	3050, 3060, 3065, 3075, 3085, 3095, 5425, 5435, 5445, 5455, 5465, 6235, 6245, 6255, 6260, 6265, 6270, 6280, 6290, 6445, 6455, 6460, 6465, 6470, 6475, 6480
1	S.43505 Seal - Rear Axle (Outer)	3619138M1	3635, 3645, 3655, 3670, 3690
1	S.43506 Seal - Rear Axle (Outer)	3619139M1	3120, 3125, 3635, 3645, 6180, 6190, 6270, 6280, 6290, 6465, 6475, 6480
2	S.43501 Seal - Rear Axle (Outer)	3386895M2	3050, 3060, 3065, 3070, 3075, 3080, 3085, 3090, 3095, 5425, 5435, 5445, 5455, 5460, 6120, 6130, 6140, 6150, 6160, 6170, 6235, 6245, 6255, 6260, 6265, 6270, 6445, 6455, 6460, 6465, 6470
2	S.43502 Seal - Rear Axle (Outer)	3583530M2	3120, 3125, 3635, 3645, 3655, 6180, 6190, 6270, 6280, 6290, 6465, 6475, 6480, 8110, 8120
2	S.43507 Seal - Rear Axle (Outer)	1610188M1	(2620>271212), 2625, 2640, 2645, 2680, 2685, 2720, 2725, 3115, 3120, 3125, 3610, 3630, 3645, 3650, 3655, 3680, 6485, 6490, 8120
3	S.43500 Seal - Rear Axle (Inner)	843886M1	2625, (2640 271213>), 2645, (2680 271213>), 2685, 2720, 2725, 3610, 3630, 3635, 3650, 3655, 3680
3	S.43496 Seal - Rear Axle	3619343M1	5425, 5435, 5445, 5455, 5460, 5465, 6120, 6130, 6140, 6150, 6160, 6170, 6235, 6245, 6255, 6260, 6270, 6445, 6455, 6460, 6465, 6470
3	S.43497 Seal - Rear Axle	3619344M1	3115, 3120, 3125, 3635, 3645, 6180, 6190, 6280, 6290, 6465, 6475, 6480, 6485, 8110, 8120
4	S.18248 Tapered Roller Bearing - I/D: 70mm - O/D: 110mm - Depth: 25mm	3383324M1 3010188X91	3050, 3060, 3065, 3070, 3075, 3080, 3085, 3090, 3095, 5425, 5435, 5445, 5455, 5460, 6120, 6130, 6140, 6150, 6160, 6170, 6235, 6245, 6255, 6260, 6265, 6270, 6280, 6290
5	S.41455 Tapered Roller Bearing - Timken Type - I/D: 73.03mm - O/D: 112.71mm - Depth: 25.40mm	1860503M92	3050, 3060, 3065, 3070, 3075, 3080, 3085, 3090, 3095, 6120, 6130, 6140, 6150, 6160, 6170, 6235, 6245, 6255, 6260, 6265, 6270, 6280, 6290, 6460, 6465, 6470, 6475, 6480

MF08



	Description	OEM Ref:	Applications
1	S.42026 Cap - Differential Lock	898712M1	65, 165, 168, 185, 188, (240 Wet Brakes), 245, 255, 265, 270, 275, 282, 285, 290, 298, (340 Wet Brakes), 342, 350, 352, 355, 360, 362, 365, 372, 375, 382, 385, 390, 390T, 398, 399, 565, 575, 590, 595, 670, 675, 690, 698, 699, 765, 1080, 1085 Industrial 30B, 30D, 30E, 30H, 40B, 40E, 50, 50A, 50B, 50B MKII, 50C, 50D, 50E/EX, 50F, 50H/HX, 50H/HX"S", 50H/HX"T", 60H, 60H"S", 60HX"T"
2	S.42041 Coupler - Differential Lock 39 internal splines x 10 lugs	897036M1	(35, 35X 383201>), 133, 135, 135E, 140, 148, 230, (240, 340 Dry Brakes), 550 Industrial 20C, 20D, 20F
2	S.42042 Coupler - Differential Lock 39 splines x 10 lugs	897003M3	65, 165, 168, 185, 188, (240 Wet Brakes), 245, (250 Brazil), 255, 265, (265 Brazil), 270, 275, (275 Brazil), 282, (283 Brazil), 285, 290, (290 Brazil), (292 Brazil), (297 Brazil), 298, (298 Brazil), (299 Brazil), (340 Wet Brakes), 342, 350, 352, 355, 360, 362, 365, 372, 375, 382, 385, 390, 390T, 398, 399, (410/420), (415), (425 2WD >238493), (425 4WD >237827), (435 2WD >236860), (435 4WD >236060), (440 2WD >236369), (440 4WD >236556), (445 2WD >BS035008), (445 4WD >236223), (460 2WD >239117), (460 4WD >236903), (465 4WD >236367), (475 4WD >238868), (481 Japan Only), (492 (Japan Only), 565, 575, 590, 595, 670, 675, 690, 698, 699, 765, 1080, 1085 Industrial 30B, 30D, 30E, 30H, 40B, 40E, 50, 50A, 50B, 50B MKII11, 50C, 50D, 50E/EX, 50F, 50H/HX, 50H/HX"S", 50H/HX"T", 60H, 60H"S", 60HX"T"
3	S.42174 Shaft - Differential Lock	1864763M1	165, 168, 185, 188, 240, 245, 250, 255, 260, 261, 265, 270, 275, 282, 283, 290, 298, 560, 565, 575, 590, 670, 675, 690, 698, 698T, 699, 1004, 1004T, 1085, 1200, 1250 Industrial 20E, 20F, 24, 25, 30, 30B, 30D, 30E, 30H, 31, 40, 40B, 40E, 50A, 50B, 50B MKII, 50C, 50D, 50E, 50F, 50H, 50HX, 60H, 4500, 6500
4	S.43478 Spring - Brake Return	190978M1	35, 35X, 133, 135, 140, 148, 230, 235, 240, 240S, 245, 250, 340
5	S.50303 Oil Seal - Type 2 DIN 3760 ID: 38mm x O/D: 55mm x Depth: 7mm Double Lip	395563X1	154, 154S, 174, 174S, 184, 184S, 194, 234S, (254>22210640), (254S>S.No), (274>22112997), 274S, 284S, 294S
5	S.50378 Seal - Double Lip 50 x 72 x 8mm	391346X1	194C

MF08