



MF09

Models	Complete Box Assembly	Box & Shaft Assembly	Shaft	Fork	Yoke & Fork	Yoke & Shaft
TEA20, TED20, TEF20	S.40929 4002 180854M1 S.48038 (Alternative)	S.16761	S.235 4297 181346M1 (14"x3/4")	S.40937 4008 890674M1 S.48043 (Alternative)	S.40968 8521 182554M92 852109M1	
(FE35, 35, 35X Cat I Linkage)	S.575 182642M91/94 S.48045 (Alternative)	S.16762	S.237 185220M1 182641M1 182641M91 (10 1/8"x3/4")	S.392 184358M1 182391M1 S.48041 (Alternative)	S.17954 899296M91, 897682M92	S.16020 826410M92 (10 5/8"x3/4"x5/8"H)
(FE35, 35, 35X Universal Linkage)	S.575 182642M91/94 S.48045 (Alternative)	S.16762	S.237 185220M1 182641M1 182641M91 (10 1/8"x3/4")	S.392 184358M1 182391M1 S.48041 (Alternative)	S.40968 8521 182554M92 852109M1	
(65, 765, 865 Low Clearance-Standard Duty)	S.572 184347M93 897679M91 S.48036 (Alternative)	S.16764	S.234 184354M1 897680M2 1660375M1 (12"x3/4")	S.392 184358M1 182391M1 S.48041 (Alternative)		S.11316 184350M91 907981M91 1660372M91 (15"x3/4"x5/8"H)
(65, 765, 865 High Clearance-Standard Duty)	S.576 184346M93	S.16761	S.235 184353M1 (14 3/8"x3/4")	S.392 184358M1 182391M1 S.48041 (Alternative)		S.11316 184350M91 907981M91 1660372M91 (15"x3/4"x5/8"H)
(65, 165, 765 Low Clearance-Heavy Duty), (360 Low Clearance) Industrial (50>825611)	S.4290 893569M91/92 1884760M92/94		S.4286 893563M1 897650M1 1860840M1 1690402M1 (13"x1")	S.4281 893405M2 893405M3 597037M1		S.11506 893562M91 897655M92 505801M91 3149869M1 (15 3/8"x1"x5/8"H)
(65, 165, 765 High Clearance-Heavy Duty), (175, 178>746013), (250 Norway only), 253, (260 10/81>), 265, (340 Switzerland only), (342, 350, 352, 355, 360, 362, 362N Standard Clearance-Less Remote), 565 Industrial 40E	S.4291 893570M91/92 897649M94 1887372M91 1693986M95 597033M91		S.4288 897651M1 1860833M1 1863885M1 (14 3/4"x1")	S.4281 893405M2 893405M3 597037M1		S.11506 893562M91 897655M92 505801M91 3149869M1 (15 3/8"x1"x5/8"H)
122, 130			S.234 184354M1 897680M2 1660375M1 (12"x3/4")			
(133, 135E, 135F, 140, 152 11x28 Wheels-Standard Linkage), (135>439191-cat I/II) Industrial 20C	S.3233 888628M91 1884342M92 S.48045 (Alternative)	S.16762	S.237 185220M1 182641M1 182641M91 (10 1/8"x3/4")	S.2985 897659M1	S.40969 1884720M1 897661M1	S.16020 826410M92
(133, 135E, 135F, 140, 145, 152 11x32 Wheels-Standard Linkage), (135 439191>cat I/II), (165 Normal Duty-Low Clearance-cat I), (165 French Builf-S.N.D.M.Y), (240 34.625" Lower Link Arms), (340 Austria only), 550 Industrial 20C	S.16874 897678M93 1660373M92	S.16764	S.234 184354M1 897680M2 1660375M1 (12"x3/4")	S.2985 897659M1	S.17955 1660370M91	S.11316 184350M91 907981M91 1660372M91 (15"x3/4"x5/8"H)
(133, 135E, 135F, 140, 152 11x32 Wheels-Standard Linkage-Germany only), 155, 158, (165 Normal Duty-High Clearance-cat I), (165MKIII, 178-8 C.N.D.M.Y), (240 35.8" Lower Link Arms), 250, (260>10/81), 340, 560 Industrial 2D, 20F, 30B, 30D, 30E, 40B	S.16875 897679M93/94 906309M93/94	S.16761	S.235 184353M1 (14 3/8"x3/4")	S.2985 897659M1	S.17955 1660370M91	S.11316 184350M91 907981M91 1660372M91 (15"x3/4"x5/8"H)
(165 French Built-C.N.D.M.Y)	S.576 184346M93	S.16761	S.235 184353M1 (14 3/8"x3/4")	S.392 184358M1 182391M1 S.48041 (Alternative)		S.11316 184350M91 907981M91 1660372M91 (15"x3/4"x5/8"H)

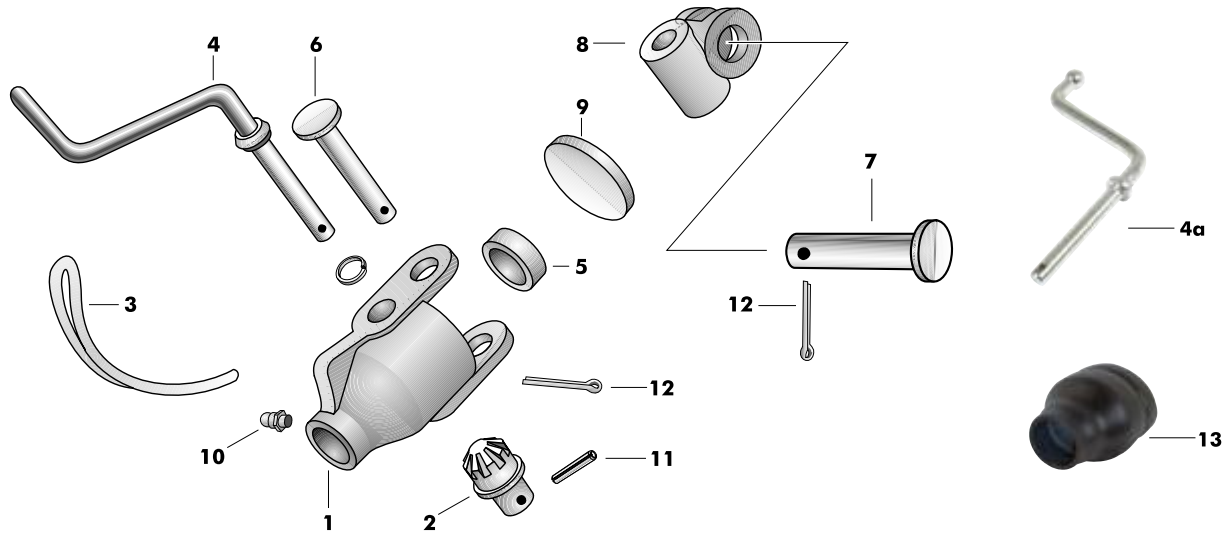
MF09



MF09

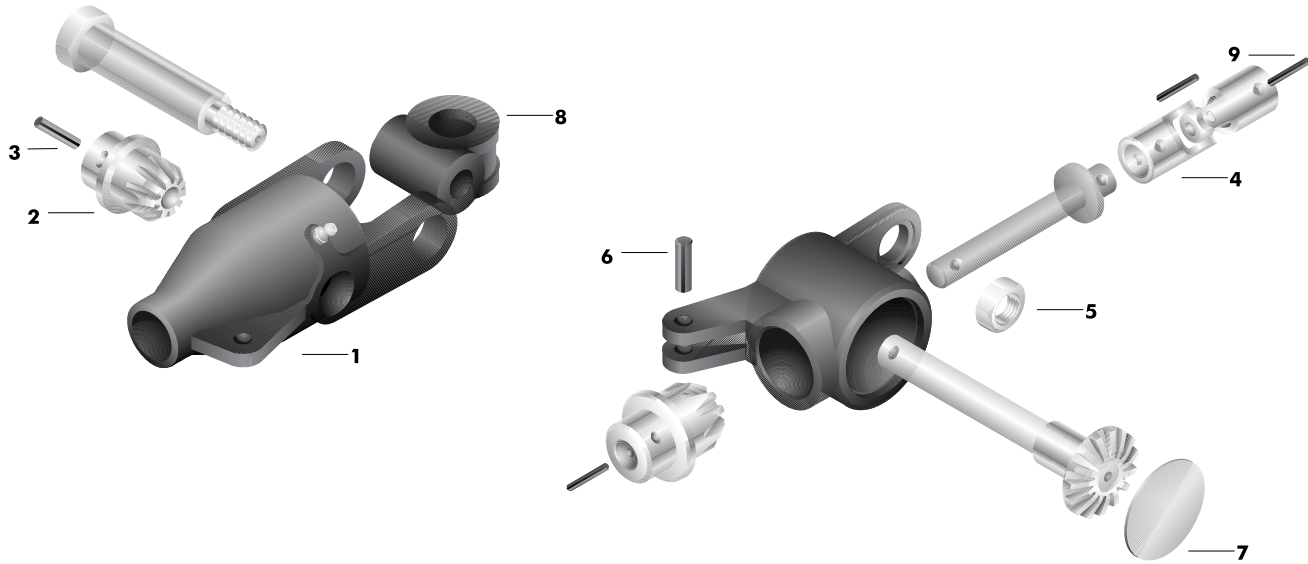
Models	Complete Box Assembly	Box & Shaft Assembly	Shaft	Fork	Yoke & Fork	Yoke & Shaft
168, 175, 178, 185, 188, 265, (365, 375, 390, 390T Footstep Models), (575 cat I/II), (675 2WD-less Remote Levelling)	S.16863 1863053M94 1693987M94		S.65505 1863054M1 (11 ³ / ₈ "x1")	S.8625 1861392M2 1861392M3 S.48040 (Alternative)	1863056M92	S.16021 1863057M91 (11 ³ / ₈ "x1"x ⁵ / ₈ "H)
(185, 188 Heavy Duty cat II-20% Extra Lift)	S.16876 1808329M91 1863884M91 1887372M91 3147331M91	S.16767	S.4288 897651M1 1860833M1 1863885M1 (14 ³ / ₄ "x1")	S.16877 1863886M2		S.16022 1863888M91 (14 ¹ / ₈ "x1"x ⁵ / ₈ "H)
(253, 263 Low Clearance-USA), (360 Low Clearance-Footstep Model), (365, 375, 390, 390T with Hinged Type Lower Links-Less Remote)	S.42049 1693990M95 1693989M94		S.4286 893563M1 897650M1 1860840M1 1690402M1 (13"x1")	S.8625 1861392M2 1861392M3 S.48040 (Alternative)	1660437M91	S.16022 1863888M91 (14 ¹ / ₈ "x1"x ⁵ / ₈ "H)
(265 193552>Cat II with Heavy Duty Auto Hook Lower Links), 265S, 275, 285, 285S, 290, 298, (350 100cm Lower Link-Footstep Model), (362N Quick Attach-Hop Cab Germany), (365, 375 100cm Lower link Arms), (375E P12018>), (382N 100cm Lower link Arms), (390 Footstep Model), (390E P06156>), (390T Footstep Model), (398, 399 Standard with Single Lift Assistor), (575 Cat II-2WD), 590, (675>84-4WD), 690 (342, 352, 362, 362N, 365, 372N, 375, 382N, 390 Remote In-Cab Adjustment with 95cm Lower Links)	S.8626 1660438M92 1693985M94 1682387M91 1863053M92 597032M91 S.48035 (Alternative)	S.16767	S.4288 897651M1 1860833M1 1863885M1 (14 ³ / ₄ "x1")	S.8625 1861392M2 1861392M3 S.48040 (Alternative)	1660437M91	S.16022 1863888M91 (14 ¹ / ₈ "x1"x ⁵ / ₈ "H)
(362N, 365, 372N, 375, 382N, 390, 390T, 396, 398 Remote In-Cab Adjustment with 100cm Lower Links)			S.4288 897651M1 1860833M1 1863885M1 (14 ³ / ₄ "x1")	S.8625 1861392M2 1861392M3 S.48040 (Alternative)	1660437M91	S.16022 1863888M91 (14 ¹ / ₈ "x1"x ⁵ / ₈ "H)
(398, 399, 698T, 699, 1004T Less Remote)	S.74662 1693991M95 3760867M91			S.74650 1686747M2	S.74666	S.74663 1686743M91
(3050, 3060, 3065, 3070, 3080, 3090>P279011-less Remote Levelling)	S.42054 3382727M93		S.42052 3382726M2 (18 ¹ / ₈ "x1")	S.42053 3384035M3	S.74900 3580550M91 3580548M91 3382729M93 3582492M94 3582492M93	S.42556 3382728M1 3583429M2 (20 ¹ / ₂ "x1"x ³ / ₄ "H)
(3050, 3060, 3065, 3070, 3080, 3090 with Remote In-Cab Adjustment)			S.42052 3382726M2 (18 ¹ / ₈ "x1")	S.42970 3616378M1	S.74900 3580550M91 3580548M91 3382729M93 3582492M94 3582492M93	S.42556 3382728M1 3583429M2 (20 ¹ / ₂ "x1"x ³ / ₄ "H)
(3050, 3060, 3065, 3070, 3080, 3090 10% Extra Lift)			S.42052 3382726M2 (18 ¹ / ₈ "x1")	S.42970 3616378M1	S.74900 3580550M91 3580548M91 3382729M93 3582492M94 3582492M93	S.42556 3382728M1 3583429M2 (20 ¹ / ₂ "x1"x ³ / ₄ "H)
3050, 3060, 3065, 3070, 3075, 3080, 3085, 3090, 3095, 3115, 3120, 3125, 5425, 5435, 5445, 5455, 5460, 5465, 6120, 6130, 6140, 6150, 6160, 6170, 6180, 6190, 6235, 6245, 6255, 6260, 6265, 6270, 6280, 6290, 6445, 6455, 6460, 6470, 6465, 6475, 6480	S.42054 3382727M93					
35, 135, 165, 550	S.4094 -					
165HC, 175, 185, 185HC, 565, 575, 590, 595, 1080, 1200	S.4095 -					

MF09



	Description	OEM Ref:	Applications
1	S.539 Housing - Levelling Box (3/4" Shaft)	181344M2, 193181M1	TE20, TEA20, TED20, TEF20, 25, 35, 35X, 65, 122, 130, 133, 135, 135E, 135F, 140, 145, 148, 152, 155, 158, 165MKIII, 230, 231, 240, 243, 245, 250, 255, 260, 340, 550, 560, 765, 825, 835, 865
1	S.4280 Levelling Box - Housing - 1". Supercedes S.65814	893561M1, 897652M1, 1860829M1	65, 165, 165MKIII, 168, 175, 175S, 178, 185, 188, 243, 250, 253, 260, 261, 263, 265, 265S, 275, 285, 285S, 290, 298, 340, 350, 360, 362, 362N, 365, 375, 375E, 390, 390E, 390T, 396, 398, 399, 425, 435, 565, 575, 590, 765, 1200
2	S.240 Gear - Leveling Box (c/w Washer & Pin)	181345M1	TE20, TEA20, TED20, TEF20, 25, 35, 35X, 65, 122, 130, 133, 135, 135E, 135F, 135MKIII, 135V, 140, 145, 145MKIII, 145V, 148, 148MKIII, 152, 152MKIII, 152F, 155, 158, 158MKIII, 158F, 158S, 158V, 165, 165MKIII, 168, 175, 175S, 178, 185, 188, 230, 231, 235, 240, 243, 245, 250, 253, 260, 261, 263, 265, 265S, 275, 285, 285S, 290, 298, 340, 342, 350, 352, 360, 362, 362N, 365, 372N, 375, 375E, 382N, 390, 390E, 390T, 396, 398, 399, 425, 435, 550, 560, 565, 575, 560, 562, 565, 675, 690, 698, 698T, 699, 765, 825, 835, 865, 1004, 1004T, 1080, 1085, 1200, 3050, 3060, 3065, 3070, 3075, 3080, 3085, 3090, 3095, 3115, 3125
3	S.536 Retaining Clip - Levelling Handle	193092M1	
4	S.225 Handle - Levelling Box. Supercedes S.65798.	181349M1, 888607M1, 1662382M1	TE20, TEA20, TED20, TEF20, 25, 35, 35X, 65, 122, 130, 135, 145, 165, 168, 185, 188, 230, 231, 235, 240S, 245, 250, 255, 260, 261, 265, 265S, 275, 285, 285S, 290, 298, 340, 350, 355, 360, 362, 365, 375, 375E, 390, 390E, 390T, 398, 399, 550, 565, 575, 590, 765, 825, 835, 865, 1200, 3050, 3060, 3065, 3070, 3080, 3090, 3095, 3115, 3125
4a	S.43646 Handle - Levelling Box - Chrome		
5	S.537 Bearing (3/4")	195457M1	TE20, TEA20, TED20, TEF20, 25, 35, 35X, 65, 122, 130, 133, 135, 135E, 135F, 140, 145, 148, 152, 155, 158, 165MKIII, 230, 231, 240, 243, 245, 250, 255, 260, 340, 550, 560, 765, 825, 835, 865
5	S.4284 Bearing - Thrust (1"). Supercedes S.40949	831263M1 x 1, 183630M1 x 2	65, 165, 165MKIII, 168, 175, 175S, 178, 185, 188, 243, 250, 253, 260, 261, 263, 265, 265S, 275, 285, 285S, 290, 298, 340, 350, 360, 362, 362N, 365, 375, 375E, 390, 390E, 390T, 396, 398, 399, 425, 435, 565, 575, 590, 765, 1200
6/7	S.1640 Clevis Pin (Ø 5/8" x 3 3/16")	180860M1, 376399X1	TE20, TEA20, TED20, TEF20, 25, 35, 35X, 65, 122, 130, 133, 135, 135E, 135F, 140, 145, 148, 152, 155, 158, 165MKIII, 230, 231, 240, 243, 245, 250, 255, 260, 340, 550, 560, 765, 825, 835, 865
6	S.4283 Clevis Pin (Ø 3/4")	893567M1, 3582667M1	65, 165, 165MKIII, 168, 175, 175S, 178, 185, 188, 243, 250, 253, 260, 261, 263, 265, 265S, 275, 285, 285S, 290, 298, 340, 350, 360, 362, 362N, 365, 375, 375E, 390, 390E, 390T, 396, 398, 399, 425, 435, 565, 575, 590, 765, 1200
7	S.15501 Clevis Pin (5/8" x 3 5/8")	377111X1	135, 148
7	S.40952 Clevis Pin (Ø 7/8")	893568M1, 1694025M1	65, 165, 165MKIII, 168, 175, 175S, 178, 185, 188, 243, 250, 253, 260, 261, 263, 265, 265S, 275, 285, 285S, 290, 298, 340, 350, 360, 362, 362N, 365, 375, 375E, 390, 390E, 390T, 396, 398, 399, 425, 435, 565, 575, 590, 765, 1200
8	S.1795 Levelling Box - Knuckle. 5/8" x 5/8" holes. Supercedes S.1796.	180853M1, 964434M1, 1884376M1	TE20, TEA20, TED20, TEF20, 25, 35, 35X, 65, 122, 130, 135, 145, 165
8	S.4282 Levelling Box - Knuckle 3/4" x 7/8" holes	897653M2, 893560M1	168, 185, 188, 230, 231, 235, 240S, 245, 250, 255, 260, 261, 265, 265S, 275, 285, 285S, 290, 298, 340, 350, 355, 360, 362, 365, 375, 375E, 390, 390E, 390T, 398, 399, 550, 565, 575, 590, 765, 825, 835, 865, 1200, 3050, 3060, 3065, 3070, 3080, 3090, 3095, 3115, 3125
9	S.538 Dished type. Mild Steel. Grease Nipple (1/4" BSF / 0°)	825102M1, 195644M1	TE20, TEA20, TED20, TEF20, 25, 35, 35X, 65, 122, 130, 133, 135, 135E, 135F, 135MKIII, 135V, 140, 145, 145MKIII, 145V, 148, 148MKIII, 152, 152MKIII, 152F, 155, 158, 158MKIII, 158F, 158S, 158V, 165, 165MKIII, 168, 175, 175S, 178, 185, 188, 230, 231, 235, 240, 243, 245, 250, 253, 260, 261, 263, 265, 265S, 275, 285, 285S, 290, 298, 340, 342, 350, 352, 360, 362, 362N, 365, 372N, 375, 375E, 382N, 390, 390E, 390T, 396, 398, 399, 425, 435, 550, 560, 565, 575, 560, 562, 565, 675, 690, 698, 698T, 699, 765, 825, 835, 865, 1004, 1004T, 1080, 1085, 1200, 3050, 3060, 3065, 3070, 3075, 3080, 3085, 3090, 3095, 3115, 3125
10	S.822 Roll Pin - Ø 3/16" x 3/4" Din No. 1481. Single Pin Total Shear Strength: 4400 lbs (1996kg).	200191M1, 13811X	
11	S.1115 Cotter Pin (Ø 4mm x 40mm) (Ø 5/32" x 1 1/2")	195648M1	
12	S.1501 Boot (Levelling Box)	354068X1	
13	S.74455 Boot (Levelling Box)	-	Fits most Levelling Boxes

MF09



	Description	OEM Ref:	Applications
1	S.42524 Levelling Box - Housing	1682345M1	342, 350, 352, , 355, 360, 362, 362N, 365, 372N, 375, 382N, 390, 390T, 396, 399, 675, 690, 698, 698T, 699, 1004, 1004T, 3050, 3060, 3065, 3070, 3075, 3080, 3085, 3090, 3095
2	S.3213 Gear - Levelling Box	181345M1	342, 350, 352, , 355, 360, 362, 362N, 365, 372N, 375, 382N, 390, 390T, 396, 399, 675, 690, 698, 698T, 699, 1004, 1004T, 3050, 3060, 3065, 3070, 3075, 3080, 3085, 3090, 3095
3	S.1115 Roll Pin - Ø 3/16" x 3/4" Din No. 1481. Single Pin Total Shear Strength: 4400 lbs (1996kg).	195648M1	342, 350, 352, , 355, 360, 362, 362N, 365, 372N, 375, 382N, 390, 390T, 396, 399, 675, 690, 698, 698T, 699, 1004, 1004T, 3050, 3060, 3065, 3070, 3075, 3080, 3085, 3090, 3095
4	S.42529 Coupling - Remote Drive	3580976M1	342, 350, 352, , 355, 360, 362, 362N, 365, 372N, 375, 382N, 390, 390T, 396, 399, 675, 690, 698, 698T, 699, 1004, 1004T, 3050, 3060, 3065, 3070, 3075, 3080, 3085, 3090, 3095
5	S.3592 M12 x 1.75mm (Coarse). Din No. 985. Grade 8.8	1440330M1	342, 350, 352, , 355, 360, 362, 362N, 365, 372N, 375, 382N, 390, 390T, 396, 399, 675, 690, 698, 698T, 699, 1004, 1004T, 3050, 3060, 3065, 3070, 3075, 3080, 3085, 3090, 3095
6	S.2777 Spiral Pin - Ø6mm x 50mm Din No. 7343.	1441736M1	342, 350, 352, , 355, 360, 362, 362N, 365, 372N, 375, 382N, 390, 390T, 396, 399, 675, 690, 698, 698T, 699, 1004, 1004T, 3050, 3060, 3065, 3070, 3075, 3080, 3085, 3090, 3095
7	S.538 Core Plug - Ø 44.75mm (1 3/4") Dished type. Mild Steel.	825102M1, 195644M1	342, 350, 352, , 355, 360, 362, 362N, 365, 372N, 375, 382N, 390, 390T, 396, 399, 675, 690, 698, 698T, 699, 1004, 1004T, 3050, 3060, 3065, 3070, 3075, 3080, 3085, 3090, 3095
8	S.4282 Levelling Box - Knuckle 3/4" x 7/8" holes	897653M2, 893560M1	342, 350, 352, , 355, 360, 362, 362N, 365, 372N, 375, 382N, 390, 390T, 396, 399, 675, 690, 698, 698T, 699, 1004, 1004T, 3050, 3060, 3065, 3070, 3075, 3080, 3085, 3090, 3095
9	S.2774 Spiral Pin - Ø5mm x 24mm Din No. 7343	2774	342, 350, 352, , 355, 360, 362, 362N, 365, 372N, 375, 382N, 390, 390T, 396, 399, 675, 690, 698, 698T, 699, 1004, 1004T, 3050, 3060, 3065, 3070, 3075, 3080, 3085, 3090, 3095

MF09

Lower Link & Related Components

For complete product range...

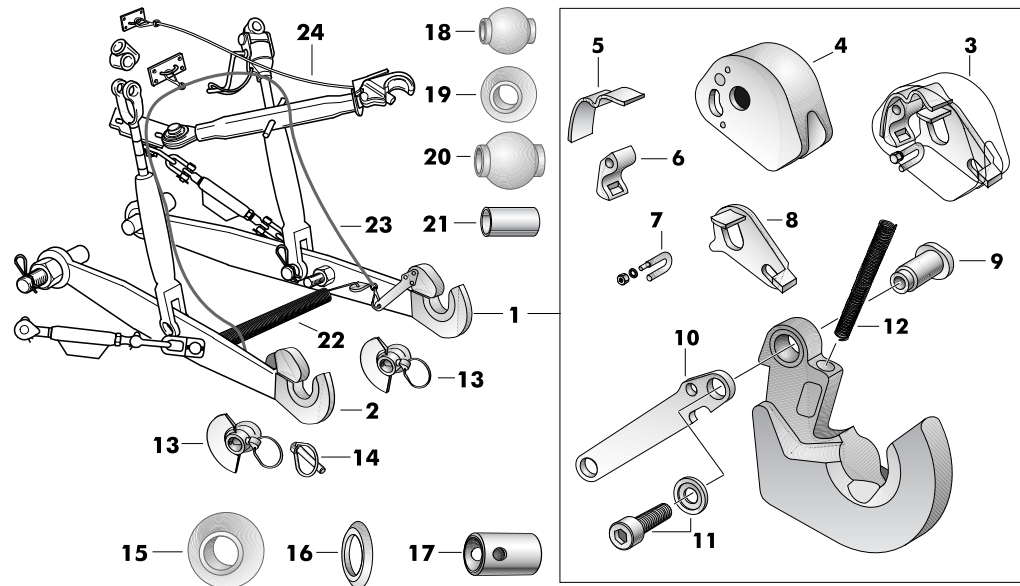


		Description	OEM Ref:	Applications
1	S.15174	Lower Link Arm - (Cat 1) (Fixed Ends - 3 Holes) (32" x 2 1/2" x 1/2")	1902	TE20, TEA20, TED20, TEF20
2	S.42620	Lower Link Arm (Cat 1) Fixed Ends - 1 Hole (as original) (32" x 2 1/2" x 1/2")	16897X, 8501, 8502	TE20, TEA20, TED20, TEF20
3	S.17830	Lower Link Arm (Cat 1) (32" x 2 1/2" x 1/2")	-	TE20, 35 Industrial 50
4	S.15175	Lower Link Arm (Cat 1) (32" x 2 5/8" x 5/8")	882754M91, 882698M92, 182632M91, 182633M91	TEA20, TED20, TEF20, 65, 133, 135, 140, 148, 165, 175, 175S, 178, 203, 203X, 205, 205X, 702, 765 11 x 28 Wheels Industrial 40, 50
5	S.15177	Lower Link Arm - Open Socket (32" x 2 1/2" x 5/8") For (Cat 1) Link Arm Assembly use: 1 x S.15177, 1 x S.1728, 1 x S.1730, For (Cat 2) Link Arm Assembly use: 1 x S.15177, 1 x S.1729, 1 x S.1730	886430M92, 886431M92, 886432M92, 886433M92, 1884724M91, 1884725M91	FE35, 35, 35X, (133, 135E, 135F, 140, 148, 152 11 x 28 Wheels), (135 Cat 1 Linkage)
6	S.41002	Lower Link Arm - Open Socket (34" x 3 1/2" x 3/4") For (Cat 1) link arm assembly use: 1 x S.41002, 1 x S.1728, 1 x S.1730, For (Cat 2) link arm assembly use: 1 x S.41002, 1 x S.1729, 1 x S.1730	893427M93, 894386M93, 894387M93, 1884761M91, 1884763M91	(65, 165, 765 Standard Clearance - Heavy Duty)
7	S.15182	Lower Link Arm - (Cat 1/2) (38" x 3 1/2" x 3/4")	893430M93, 886450M91, 893431M93	(65, 165, 165 MKIII, 175, 178, 765 High Clearance)
8	S.15179	Lower Link Arm - (Cat 1/2) (34" x 3 1/2" x 3/4")	1884761M91, 894386M93, 894387M93	(65, 165, 765 Heavy Duty) Industrial 30, 50
9	S.15181	Lower Link Arm - (Cat 1/2) (34" x 3 1/2" x 11/16")	1884763M91, 893427M93, 893428M93	(65, 165, 765 Heavy Duty) Industrial 30, 50
10	S.41001	Lower Link Arm - Open Socket (35" x 3 1/2" x 3/4") For (Cat 1) Link Arm Assembly use: 1 x S.41001, 1 x S.1728, 1 x S.1730, For (Cat 2) Link Arm Assembly use: 1 x S.41001, 1 x S.1729, 1 x S.1730	909811M92, 1869289M91	(133, 135E, 135F, 340, 148, 152 11 x 28 Wheels), 135 (Cat I/II Linkage), 148, 230, 235, 240, 245, 250, 340, 550
11	S.41003	Lower Link Arm - Open Socket (38" x 3 1/2" x 3/4") For (Cat 1) Link Arm Assembly use: 1 x S.41003, 1 x S.1728, 1 x S.1730 For (Cat 2) Link Arm Assembly use: 1 x S.41003, 1 x S.1729, 1 x S.1730	893430M93, 886451M93, 886452M93, 909907M93, 909908M93	(65, 165, 765 High Clearance - Heavy Duty), 168, 175, 178, 250, 253, 255, 265, 340, 350, 352, 355, 360, 362 (With Chain Stabilisers Fitted), 565
12	S.42050	Lower Link Arm - Open Socket (38" x 4" x 13/16") For (Cat 1) Link Arm Assembly use: 1 x S.42050, 1 x S.1728, 1 x S.1730 For (Cat 2) Link Arm Assembly use: 1 x S.42050, 1 x S.1729, 1 x S.1730	1863435M94	(165, 168, 185, 188 Later Models with Heavy Duty Linkage), (265, 275, 360, 362, 365, 372, 375, 390, 390T, 575, 675 95cm Lower Link Arms - With Check Chains Fitted)
13	S.41004	Lower Link Arm - LH Fixed (Cat 2) (40" x 4" x 13/16")	1660262M91, 1660263M92, 1660265M93	(265, 265S, 275, 285, 285S, 290, 298, 350, 362N, 365, 372, 375, 382N, 390, 390E, 390T, 396, 398, 399, 575, 590, 675, 690 100cm Standard Linkage - Single Lift Assister Ram)
14	S.41005	Lower Link Arm - RH Fixed (Cat 2) (40" x 4" x 13/16")	1660263M91, 1660262M92, 1660266M93	(265, 265S, 275, 285, 285S, 290, 298, 350, 362N, 365, 372, 375, 382N, 390, 390E, 390T, 396, 398, 399, 575, 590, 675, 690 100cm Standard Linkage - Single Lift Assister Ram)

MF09

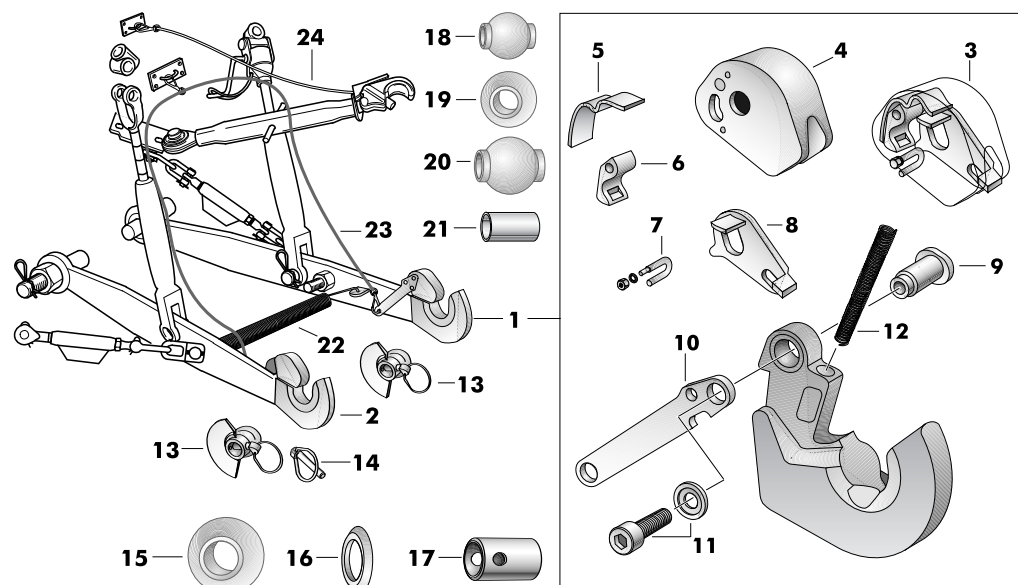


	Description	OEM Ref:	Applications
15	S.43968 Lower Link Mounting Pin	1025	TE20, (TEA20, TED20, TEF20>325000)
16	S.1700 Lower Link - Mounting Pin (Tapered)	181229M5	(TEA20, TED20, TEF20 325001>), 35, 35X, (133, 135, 140, 148 Cat 1)
17	S.4985 Lower Link - Shaft Cat 2 - Taper	1867851M2/M3	(133, 135, 140, 148 Cat II), 230, 235, (240>522353), 250, (340 With Drum Brakes), 353, 550
18	S.1701 Lower Link - Mounting Pin 3/4" UNF	184356M1, 893419M1	65 (133, 135, 140 Narrow Tractor), 145, 152, 155, (165>597745), 175, 178, 765, 865
19	S.41013 Lower Link - Shaft Supercedes S.41012	1695314M1, 1867243M1, 9062363M2	(165 100001>), 168, 185, 188, (240 522354>), 250, 253, 255, 265, (275 P12018>), 285, (290 P06156>), 340, 342, 350, 352, 355, 360, 362, 365, 372, 375, 382, 382N, 390, 396, 560, 565, 575, 675, 690, 1200
20	S.4961 Self Locking Nut 5/8" UNF. Din No. 985. Grade 8.8	376450X1	(TEA20, TED20, TEF20 325001>), 35, 35X, (133, 135, 140, 148 Cat I)
21	S.4962 Self Locking Nut - 3/4" UNF Din No. 985. Grade 8.8	376451X1	65 (133, 135, 140 Narrow Tractor), 145, 152, 155, 165, 175, 178, 765, 865
22	S.8933 Castle Nut 5/8" UNF	353927X1	(TEA20, TED20, TEF20 325001>), 35, 35X, (133, 135, 140, 148 Cat I)
23	S.40213 Slotted Nut 3/4" UNF. Supercedes S.17463	353928X1	65, (133, 135, 140 Narrow Tractor), 145, 152, 155, (165>597745), 175, 178, 765, 865
24	S.1509 Cotter Pin (Ø8mm x 63mm) (Ø5/16" x 2 1/2")	354101X	165, 168, 185, 188, (240 522354>), 250, 253, 255, 265, 275, 285, 290, 340, 342, 350, 352, 355, 360, 362, 365, 372N, 375, 382, 382N, 390, 390T, 396, 560, 565, 575, 675, 690, 1200
25	S.1728 Linkage Ball (Cat 1)	886428M1	133, 135, 140, 148, 152, 155, 158, 165, 168, 230, 231, 235, 240, 240S, 243, 245, 250, 253, 255, 260, 261, 263, 265, 275, 340, 342, 350, 352, 360, 362, 362N, 365, 372N, 375, 382N, 390, 550, 560, 565, 575, 590, 675, 4215, 4220, 4225, 4235, 4240, 4245, 4255, 4265, 4315, 4320, 5325, 4335, 4345, 4355
25	S.1729 Linkage Ball (Cat 2)	886429M1	133, 135, 140, 148, 152, 155, 158, 165, 168, 230, 231, 235, 240, 240S, 243, 245, 250, 253, 255, 260, 261, 263, 265, 275, 340, 342, 350, 352, 360, 362, 362N, 365, 372N, 375, 382N, 390, 550, 560, 565, 575, 590, 675, 4215, 4220, 4225, 4235, 4240, 4245, 4255, 4265, 4315, 4320, 5325, 4335, 4345, 4355
26	S.2997 Lower Link Linkage Ball - Dual Category	886428M1, 886429M1	133, 135, 140, 148, 152, 155, 158, 165, 168, 230, 231, 235, 240, 240S, 243, 245, 250, 253, 255, 260, 261, 263, 265, 275, 340, 342, 350, 352, 360, 362, 362N, 365, 372N, 375, 382N, 390, 550, 560, 565, 575, 590, 675, 4215, 4220, 4225, 4235, 4240, 4245, 4255, 4265, 4315, 4320, 5325, 4335, 4345, 4355
27	S.1730 Spring Clip - Linkage Ball	1869219M1	133, 135, 140, 148, 152, 155, 158, 165, 168, 230, 231, 235, 240, 240S, 243, 245, 250, 253, 255, 260, 261, 263, 265, 275, 340, 342, 350, 352, 360, 362, 362N, 365, 372N, 375, 382N, 390, 550, 560, 565, 575, 590, 675, 4215, 4220, 4225, 4235, 4240, 4245, 4255, 4265, 4315, 4320, 5325, 4335, 4345, 4355
28	S.60024 Lower Link End (Cat 2) (LH) (Hinged Type)	184462M92	65, 165, 365, 375, 390, 390T, 690, 765, 865
		184461M92	
29	S.60025 Lower Link End (Cat 2) (RH) (Hinged Type)		
28	S.60447 Lower Link End (Cat 1) (LH) (Hinged Type)	184464M92	65, 165, 365, 375, 390, 390T, 690, 765, 865
29	S.60448 Lower Link End (Cat 1) (RH) (Hinged Type)	184463M92	
30	S.74824 Lower Link End-Weld On	-	Suitable for MF Type Weld On Lower Link End
31	S.1735 Lock Pin Set - Lower Link (Contains: 1 x S.1731, 1 x S.1732, 2 x S.1733, 2 x S.1734)	188359M1 +188148M1 +353957X1 +491105M1	65, 133, 135, 140, 145, 155, 165, 375, 390, 390T, 690, 765, 865 (To fit models with hinge type lower link ends)
32	S.30 Linch Pin (11mm) & Bracket.	195646M91	TEA20, TED20, TEF20, FE35, 35, 35X, 122, 130, 133, 135, 140, 145, 155, 175, 178, 825 (To fit early models fitted with fixed ball lower link arms)
33	S.148 Linch Pin + Chain (11mm).	195646M92	135, 135 N.A.



		Description	OEM Ref:	Applications
1	S.33085	Heavy Duty Lower Link Hook (Cat 2)	-	3050, 3060, 3060 (Suitable as Replacement Quick Release System for most Cat II Lower Link Arms)
2	S.33051	Heavy Duty Lower Link Hook (Cat 3)	-	3075, 3085, 3095, 3115, 3120, 3125 (Suitable as Replacement Quick Release System for most Cat III Lower Link Arms)
3	S.33061	Lower Link Hook - Complete Locking Mechanism RH (New Type) (Cat 2)	-	3050, 3060, 3065
3	S.33060	Lower Link Hook - Complete Locking Mechanism LH (New Type) (Cat 2)	-	3050, 3060, 3065
4	S.12932	Lower Link Hook - Housing Only RH (New Type) (Cat 2)	3900005M1	3050, 3060, 3065
4	S.12933	Lower Link Hook - Housing Only LH (New Type) (Cat 2)	3900006M1	3050, 3060, 3065
5	S.12937	Lower Link Hook - Spring (Flat) (Cat 2)	3900014M1	3050, 3060, 3065
6	S.12936	Lower Link Q/R Latch (Cat 2)	3900013M1	3050, 3060, 3065
7	S.12927	Stirrup - New Type (Cat 2)	3900017M91	3050, 3060, 3065
8	S.12934	Sensor - RH (Cat 2)	3900008M1	3050, 3060, 3065
9	S.12935	Sensor - LH (Cat 2)	3900009M1	3050, 3060, 3065
9	S.12940	Pin (Cat 2)	3900016M1	3050, 3060, 3065
10	S.33068	Lower Link Hook - Side Lever RH (Cat 2)	3900010M1	3050, 3060, 3065
10	S.33067	Lower Link Hook - Side Lever LH (Cat 2)	3900011M1	3050, 3060, 3065
11	S.12930	Lower Link Hook - Screw & Washer (Cat 2)	3900015M91	3050, 3060, 3065
12	S.12920	Lower Link Hook - Spring - (Cat 2)	3900012M91	3050, 3060, 3065
13	S.33000	Lower Link Guide Cone & Ball Assembly (Cat 2/2)	3042426M1, 3617879M1	362N, 365, 372N, 375, 382N, 390, 390T, 398, 399, 3050, 3060, 3065, 3070, 3075, 3080, 3085, 3090, 3095, 4225, 4235, 4240, 4245, 4255, 4260, 4265, 4270, 4325, 4335, 4345, 4355, 4360, 4365, 4370, 5425, 5435, 5445, 5455, 5460, 5465, 6120, 6130, 6140, 6150, 6160, 6170, 6235, 6245, 6255, 6260, 6265, 6270, 6280, 6290, 6445, 6455, 6460, 6465, 6470, 6475, 6480
13	S.33001	Lower Link Guide Cone & Ball Assembly (Cat 3/2)	3681877M1	3075, 3085, 3095, 3115, 3120, 3125, 3610, 3630, 3635, 3645, 3650, 3655, 3670, 3680, 3690, 8150
13	S.33002	Lower Link Guide Cone & Ball Assembly (Cat 3/3)	3681878M1	3085, 3095, 3125, 3610, 3630, 3635, 3645, 3650, 3655, 3670, 3680, 3690

MF09



	Description	OEM Ref:	Applications
14	S.33013 Linch Pin (Pear)	3102086M91	2620, 2625, 2640, 2680, 2685, 2720, 2725, 3050, 3060, 3065, 3070, 3075, 3080, 3085, 3090, 3095, 3115, 3120, 3125, 3610, 3630, 3635, 3645, 3650, 3655, 3670, 3680, 3690, 4225, 4235, 4240, 4245, 4255, 4260, 4265, 4270, 4325, 4335, 4345, 4355, 4360, 4365, 4370, 5425, 5435, 5445, 5455, 5460, 6465, 6120, 6130, 6140, 6150, 6160, 6170, 6180, 6190, 6235, 6245, 6255, 6260, 6265, 6270, 6280, 6290, 6445, 6455, 6460, 6465, 6470, 6475, 6480, 6485, 6490, 6495, 6497, 6499, 7465, 7475, 7480, 7485, 7490, 7495, 8110, 8120, 8130, 8140, 8150, 8160, 8170, 8180, 8210, 8220, 8240, 8250, 8260, 8270, 8280, 8450, 8460, 8470, 8480
14	S.33014 Linch Pin (Pear) - Pin Ø15 (Fitted to Cone Assembly S.33002)	3101913M91	2620, 2640, 2680, 2685, 2720, 2725, 3085, 3095, 3120, 3125, 3610, 3630, 3635, 3645, 3650, 3655, 3670, 3680, 3690, 9240
15	S.33005 Lower Link Linkage Ball (Cat 2/2)	3042429M1, 3617876M1	3050, 3060, 3065, 3070, 3075, 3085, 3095
15	S.33006 Lower Link Linkage Ball (Cat 3/2)	3042420M1, 3617877M1	3075, 3085, 3095, 3115, 3120, 3125, 3610, 3630, 3635, 3645, 3650, 3655, 3670, 3680, 3690, 8150
15	S.33007 Lower Link Linkage Ball (Cat 3/3)	3617878M1	3085, 3095, 3125, 3610, 3630, 3635, 3645, 3650, 3655, 3670, 3680, 3690
16	S.33011 Lower Link Spacer - (Cat 2) & 3/2 (For use with S.33005 & S.33006 Balls)	305753	All Models using Quick Release System - Cat 2 & 3/2
16	S.33012 Lower Link Spacer - (Cat 3) (For use with S.33007 Ball)	305754	All Models using Quick Release System - Cat 3
17	S.33003 Lower Link - Conversion Bush (Cat 1 - Cat 2) (For use with S.33000 Ball)	82651	All Models using Quick Release System - Cat 2
17	S.3010 Lower Link - Conversion Bush (Cat 2 - Cat 3) (For use with S.33002 Ball)	305821	All Models using Quick Release System - Cat 3
18	S.33008 Top Link Ball - (Cat 2)	3042432M1, 3617872M1, 099042	All Models using Quick Release System - Cat 2
19	S.33009 Top Link Ball - (Cat 2/3)	99044	All Models using Quick Release System - Cat 3/2
20	S.33010 Top Link Ball - (Cat 3)	99043	All Models using Quick Release System - Cat 3
21	S.353 Conversion Bush - Top Link (Cat 1 - Cat 2)	3620016M1, 3620017M1	All Models using Quick Release System - Cat 2/1
21	S.3008 Top Link - Conversion Bush (Cat 2 - Cat 3)	82649, 82549, 3620015M1	All Models using Quick Release System - Cat 3/2
22	S.33015 Lower Link Arm - Spacer - Adjustable	90243	All Models using Quick Release System
23	S.33016 Lower Link Hook - Release Cord	3033968M4, 305393	All Models using Quick Release System
24	S.33017 Quick Release Cord	3042435M1, 3595614M91, 3619220M1	All Models using Quick Release System

MF09



Applications	Top Link	Centre Tube	Spring/Lock	End LH	End RH	Top Link Pin
TEA20, TED20, TEF20	S.334 -					S.73 195647M1
TE20, TEA20, TED20, TEF20, TO20	S.312 -					
FE 35, 35, 35X, 133, (135>439191), 135MKIII, 135V, 140, 145MKIII, 145V, 152MKIII, 152V/S, 158MKIII, 158S, 158V	S.584 184134M91 1870075M91 (Cat 1/1) S.15885 (Alternative)	S.434 184891M91	S.439 183614M2	S.448 183619M92	S.449 184079M91	S.74 195589M1 or S.75 831513M1
(65 Low Clearance), 133, (135 439192>), 140, (165 Normal Duty), 230, 235, 240, 245, 250, 340, 550, (765 Low Clearance)	S.585 184078M91 1869954M91 (Cat 1/1) S.15886 (Alternative)	S.441 1884762M91 S.15883 (Alternative)	S.439 183614M2	S.448 183619M92	S.449 184079M91	S.74 195589M1 or S.75 831513M1
(65 Low Clearance), 133, (135 439192>), 140, 148, 152, 155, 158, (165, 165MKIII Normal Duty), 178, 240, 243, 250, 255	S.589 894376M91 (Cat 1/2) S.15890 (Alternative)	S.441 1884762M91 S.15883 (Alternative)	S.439 183614M2	S.448 183619M92	S.443 183623M93	S.81 892476M1
(65, 165, 165MKIII, 178 Low Clearance - Heavy Duty)	S.16066 893438M91 (Cat 2/2) S.16525 (Alternative)	S.441 1884762M91 S.15883 (Alternative)	S.439 183614M2	S.442 183615M93	S.443 183623M93	S.81 892476M1
(65, 165, 165MKIII, 178, 765 High Clearance - Standard Duty)	S.586 184361M91 (Cat 1/2) S.15887 (Alternative)	S.452 184362M91	S.439 183614M2	S.448 183619M92	S.449 184079M91	S.74 195589M1 or S.75 831513M1

MF09

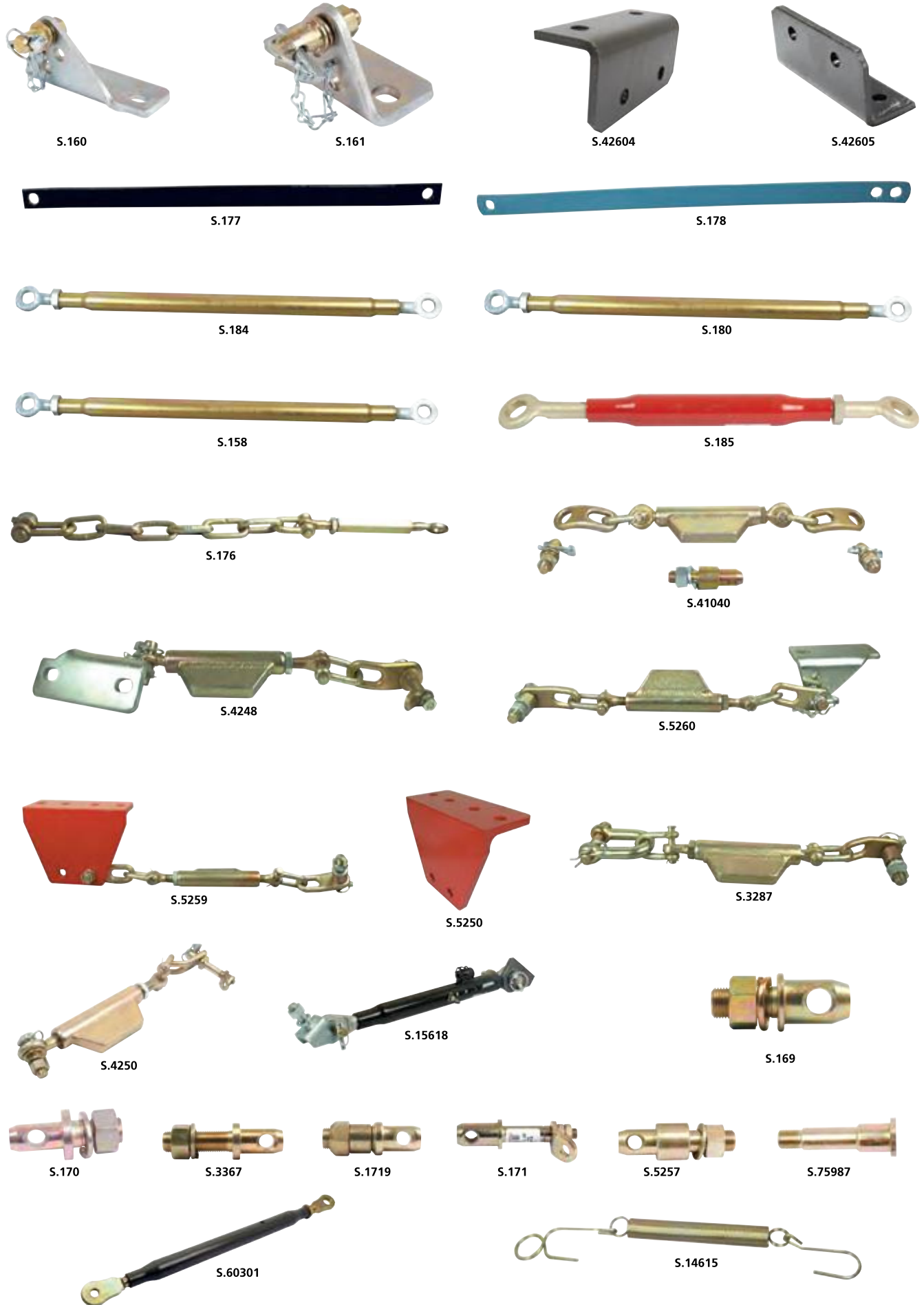


Applications	Top Link	Centre Tube	Spring/Lock	End LH	End RH	Top Link Pin
(65, 165, 165MKIII, 178, 765 High Clearance - Standard Duty)	S.588 894377M91 (Cat 1/2) S.15889 (Alternative)	S.452 184362M91	S.439 183614M2	S.448 183619M92	S.443 183623M93	S.81 892476M1
(65, 165, 165MKIII, 765 High Clearance - Heavy Duty), (1755 Heavy Duty), 243, (250 Norway), 253, 260, 263, 265, 275, 290, 342, 350, 352, 355, 360, 362, (362N, 365, 372, 375, 382N, 390 95cm Lower Link), 425, 435, 560, 565, 575, 675, 590, 690, 698, 699, 1080-8	S.587 1887285M91 893439M91 (Cat 2/2) S.15888 (Alternative)	S.452 184362M91	S.439 183614M2	S.442 183615M93	S.443 183623M93	S.81 892476M1
265S, 285S, (275 P12018>), 290, 298, 350, 362N, 365, 372N, 375, (375E P12018>), 382N, 390, 390T, 396, 398, 399, 425, 435, 440, 445, 460, 575, 590, 592, 595, 675, 690, 698, 5335, 5340, 5355, 5360, 5365	S.15347 1660050M91 (Cat 2/2)	S.15348 1660051M91	S.15351 1660057M1	S.15349 1660053M91	S.15350 1660055M91	S.81 892476M1
3050, 3060, 3065, 3070, 3075, 3080, 3085, 3090, 3095, 3115, 3125, 5425, 5435, 5445, 5455, 5460, 5465, 6110, 6120, 6130, 6140, 6150, 6160, 6170, 6180, 6235, 6245, 6255, 6260, 6265, 6270, 6445, 6455, 6460, 6470, 6465	S.42055 3382848M91 3615054M3 (Cat 2/2)	S.42056 3384119M91	S.15351 1660057M1	S.42057 3382851M91	S.42058 3382853M91	S.81 892476M1
3050, 3060, 3065, 3070, 3075, 3080, 3085, 3090, 3095, 3115, 3125, 5425, 5435, 5445, 5455, 5460, 5465, 6110, 6120, 6130, 6140, 6150, 6160, 6170, 6180, 6235, 6245, 6255, 6260, 6265, 6270, 6445, 6455, 6460, 6470, 6465	S.42059 3387083M91 3615052M4 (Cat 2/2)	S.42056 3384119M91	S.15351 1660057M1	S.42057 3382851M91	S.42074 3384121M91 (Cat 2) S.33045 3582969M1 (Cat 3)	
5465, 6150, 6160, 6170, 6235, 6245, 6255, 6260, 6265, 6270, 6280, 6290, 6445, 6455, 6460, 6465, 6470, 6475, 6480	S.74387 3715680M94 (Cat 3/28mm)	S.74392		S.13987	S.74434	
1100, 1105, 1150, 1155, 1505, 2625, 2640, 2645, 2675, 2680, 2685, 2705, 2720, 2725, 2745, 2775, 3095, 3630, 3635, 3645, 3650, 3655, 3670, 3680, 3690, 6160, 6170, 6180, 6465, 6475, 6480, 6485, 6495, 6497, 6499, 7465, 7475, 7480, 7485, 7490, 7495, 8120, 8130, 8140, 8150, 8160, 8170, 8180, 8210, 8220, 8240, 8250, 8260, 8270, 8280, 8450, 8460, 8470, 8480						S.3026 367073X1

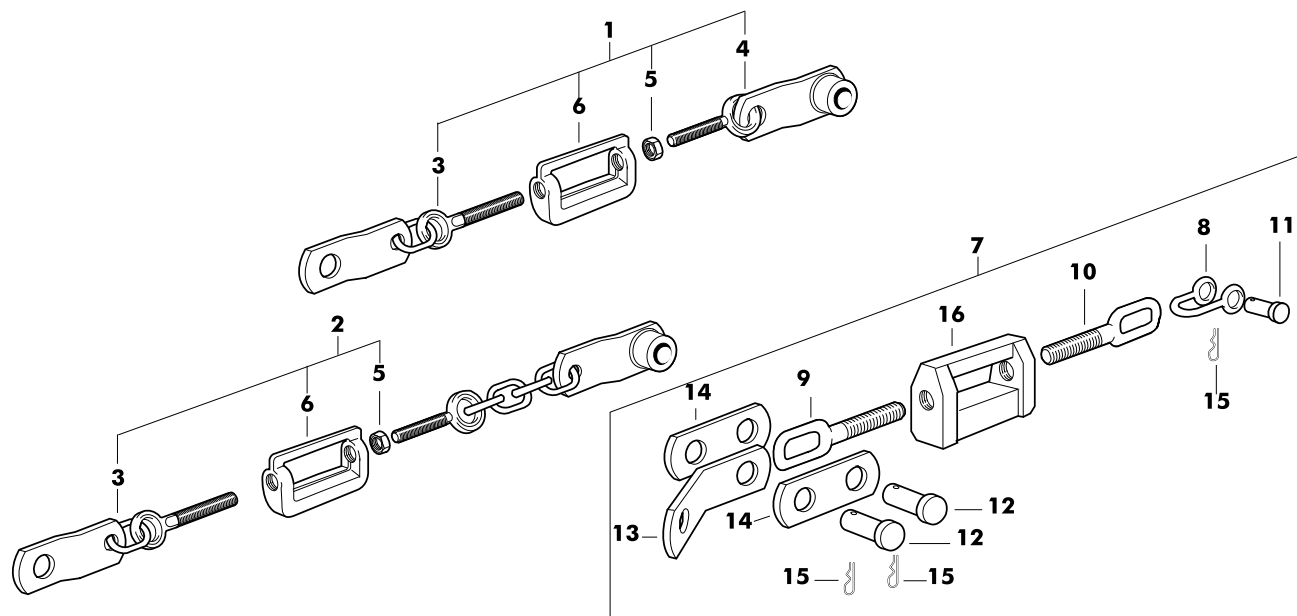
MF09

	Description	OEM Ref:	Applications
S.160	Stabiliser Bracket (LH)	818662M94	TEA20, TED20, TEF20, FE35, 35, 35X, 135, 835
S.161	Stabiliser Bracket (RH)	818661M94	TEA20, TED20, TEF20, FE35, 35, 35X, 135, 835
S.42604	Stabiliser Bracket (RH)	1865256M91	(135, 148 32" Wheels less Safety Frame)
S.42605	Stabiliser Bracket (LH)	1865252M91	(135, 148 32" Wheels less Safety Frame)
S.177	Stabiliser Bar - Rigid	646102M1	TEA20, TED20, TEF20, FE35, 35, 35X, 135, 835
S.178	Stabiliser Bar - Rigid 2 Holes (Alternative to S.177. This bar has an extra hole at one end)	-	TEA20, TED20, TEF20, FE35, 35, 35X, 135, 835
S.184	Stabiliser Bar - Adjustable (Min 28 1/2" - 724mm Max 35" - 889mm) (23mm Hole in both ends)	-	TEA20, TED20, TEF20, FE35, 35, 35X, (133, 135, 140, 148, 152 With 32" Lower Link Arms), 835
S.180	Stabiliser Bar - Adjustable (Min 28 1/2" - 724mm Max 35" - 889mm) (20mm Hole one end, 23mm Hole other end)	184568M91	65 (133, 135, 140, 148, 152 With 35" Lower Link Arms), 165, 765, 865
S.158	Stabiliser Bar - Adjustable (Min 28 1/2" - 723mm Max 36" - 914mm) (23mm Hole both ends)	894208M1	65, 165, 765, 865
S.185	Stabiliser Bar - Adjustable (Min 14 1/4" - 362mm Max 17 1/2" - 444mm)	-	TEA20, TED20, TEF20, FE35, 35, 35X, 133, 135, 140, 148, 152, 835 (Replace the bolt fixing the levelling fork to the lower link arm with S.171)
S.176	Stabiliser Chain Assembly	-	TEA20, TED20, TEF20, FE35, 35, 35X, 135, 148, 835
S.41040	Stabiliser Kit - Adjustable	-	(135, 148 with 32" Lower Link Arms)
S.4248	Stabiliser Kit - Adjustable (LH) (Min 20 1/4" - 514mm Max 24" - 607mm)	-	35, 35X, (135 with 32" Lower Link Arms), 550
S.4249	Stabiliser Kit - Adjustable (RH) (Min 20 1/4" - 514mm Max 24" - 607mm)	-	35, 35X, (135 with 32" Lower Link Arms), 550
S.5260	Stabiliser Kit - Adjustable (LH) (Min 20 1/4" - 514mm Max 24" - 607mm)	-	(135, 148, 235, 240, 550 with 35" Lower Link Arms)
S.5261	Stabiliser Kit - Adjustable (RH) (Min 20 1/4" - 514mm Max 24" - 607mm)	-	(135, 148, 235, 240, 550 with 35" lower link arms)
S.5259	Stabiliser Kit - Adjustable (Min 20 1/4" - 514mm Max 24" - 607mm)	-	(135, 148, 235, 240 with 35" lower link arms - 11 x 32 rear wheels), 165, 168, 175, 178, 185, 188 (Models without cab)
S.5250	Stabiliser Bracket for S.5259	-	
S.3287	Stabiliser Kit - Adjustable (Min 20 1/4" - 514mm Max 24" - 616mm)	-	(135, 148, 235, 240 with 35" Lower Link Arms - 11 x 32 Rear Wheels), 165, 168, 175, 178, 185, 188 (Models without Cab)
S.4250	Stabiliser Assembly	-	35, 35X, 135, 550
S.15618	Stabiliser Assembly One end 19mm Pin, other 19 x 42mm Pin on bracket	-	265, 275, 290, 565, 575, 590, 675, 690
S.169	Stabiliser Pin Assembly (Incl: Pin + Washer + Nut). Supercedes S.49169.	646101M2	TEA20, TED20, TEF20, FE35, 35, 35X, 135, 148, 230, 240, 250 (7/8" Pin, 5/8" Thread)
S.170	Stabiliser Pin Assembly (Inc: 1 x S.119, 1 x S.1032, 1 x S.1014)	824332M1	65, 145, 165, 175, 178, 765, 865 (3/4" Pin, 3/4" Thread)
S.3367	Stabiliser Pin. Supercedes S.3371.	183617M1	(65, 765, 865 Early type lower link arms with hinge type ends) (7/8" Pin, 3/4" Thread)
S.1719	Stabiliser Pin Assembly (Inc: 1 x S.1716, 1 x S.1717, 1 x S.1718)	186802M1+ 186809M1+ 491050M1	(65, 765, 865 Later type lower link arms with hinge type ends), 165, 175, 178
S.171	Stabiliser Pin (Levelling Fork to Link Arm)	-	TEA20, TED20, TEF20, FE35, 35, 35X, 135, 148, 835
S.5257	Stabiliser Pin Assembly (Lower Link Arm)	-	(135, 148, 235, 240 with 35" lower link arms - 11 x 32 Rear Wheels), 165, 168, 175, 178, 185, 188, 565, 575, 590
S.75987	Linkage Pin	521006M1	(240 A20287>), 253, 263, 362, (365, 375 B18009>), (390 (T) B18009>), 396, 398. (398 B18009>), (398 >B18008), (399 1006.6 Engine), (698 (T) 1984>), 699
S.60301	Rigid Stabiliser - Heavy Duty	-	Australia: 165, 168, 175, 178, 185, 188, 1080, 1085. France: 2620, 2625, 2640, 2645, 2680, 2685, 2720, 2725. UK: 350, 355, 360, 365, 375, 398, 399. USA: 135, 180, 235, 265, 275, 285, 1100, 1150, 1500
S.14615	Lower Link - Restrainer Spring	-	TE20, TEA20, TED20, TEF20, TO20

MF09

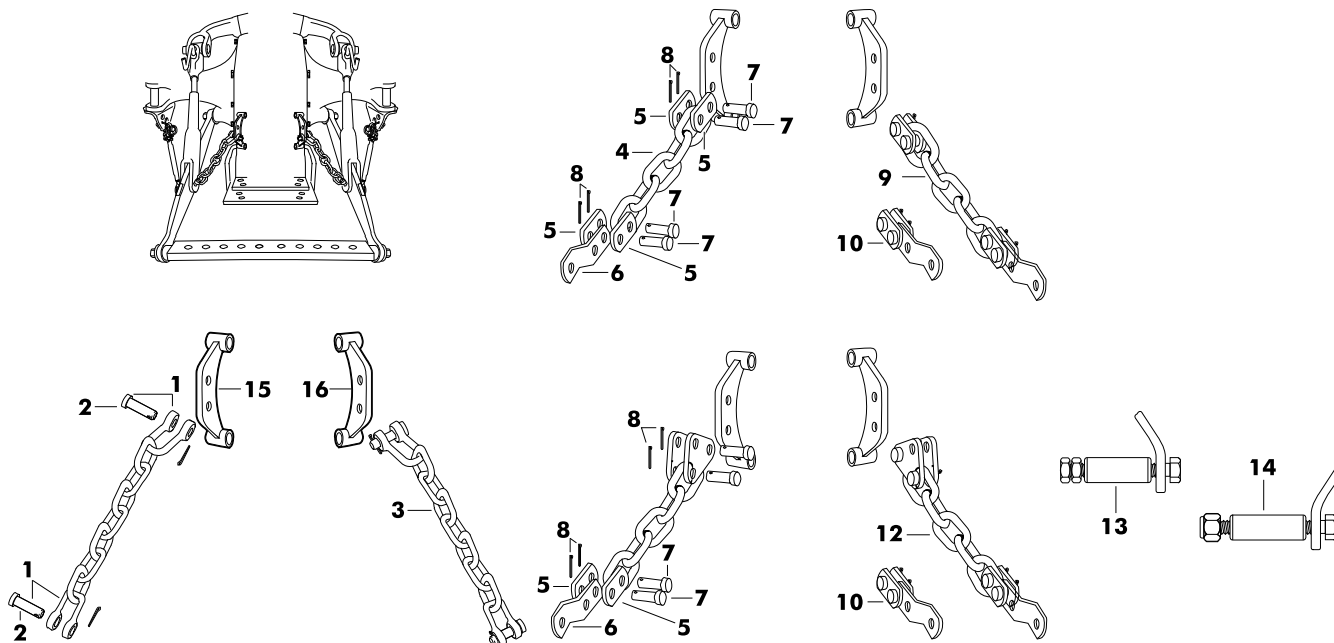


MF09



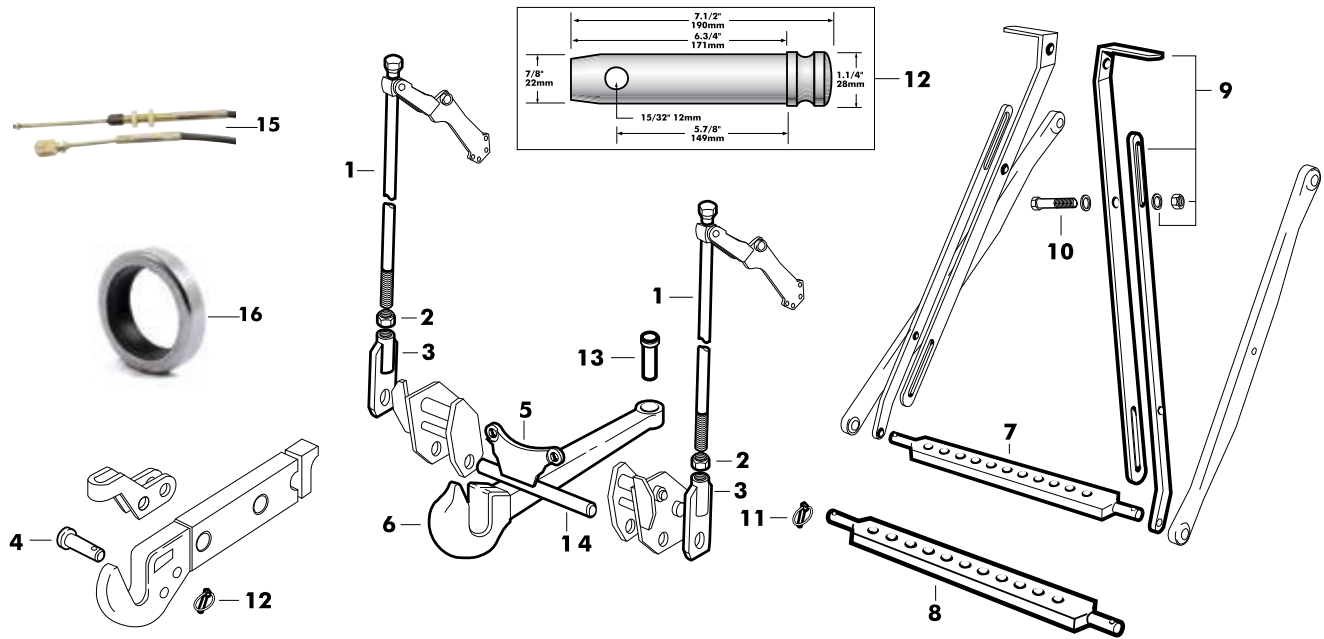
	Description	OEM Ref:	Applications
1	S.41037 Stabiliser Chain Assembly	1863220M93	(135 32" lower link arms)
2	S.41303 Stabiliser Chain Assembly	1863260M91	(135, 148, 230, 240, 550
3	S.41053 Eyebolt 1/2" UNF (LH) 1 Link	1863221M91	135, 230, (240>A20286), 550
4	S.41055 Eyebolt 3/4" UNC (RH) No Link	1863223M93	(135 32" Lower link arms)
5	S.1073 Hexagon Nut - 1/2" UNF, Din No. 934. Grade 8.8	343437X1	General Hardware
6	S.41058 Turnbuckle - 1/2" UNF	1863222M1	135, 230, (240 >A20286), 550
7	S.41038 Stabiliser Chain Assembly (Alternative to S.42189). Supercedes S.42189	1661406M91	265, 275, 285, 290, 340, 342, 362N, 372N, 375E, 382N, 390E, 565, 575, 590, 675, 690, 1200
8	S.41050 Bow Shackle. Pin Ø19mm. Jaw: 33mm. Size: 16mm (Zinc & Gold Passivated)	1860594M1	65, 165, 168, 188, (240 A20287>), 253, 265, 275, 285, 290, 298, 340, 342, 352, 362, 362N, 365, 372N, 375, 382N, 390, 390T, 396, 398, 399, 565, 575, 590, 675, 690, 698, 698T, 699, 1004, 1200
9	S.41054 Eyebolt 3/4" UNC (LH)	1661408M1	(240 A20287>), 253, 265, 275, 285, 290, 298, 340, 342, 352, 362, 362N, 365, 372N, 375, 382N, 390, 390T, 396, 398, 399, 565, 575, 590, 675, 690, 698, 698T, 699, 1004, 1004T, 1200
10	S.41056 Eyebolt 3/4" UNF (RH)		
11	S.41386 Stabiliser Pin	52964M1	65, (135 11 x 32 Rear Wheels), 165, 168, 175, 178, 185, 188, (240 A20287>), 253, 265, 275, 285, 290, 298, 340, 342, 352, 362, 362N, 365, 372N, 375, 382N, 390, 390T, 396, 398, 399, 565, 575, 590, 675, 690, 698, 698T, 699, 765, 1004, 1004T, 1200
12	S.41387 Stabiliser Pin	364491X1	65, 165, 168, 175, 178, 185, 188, (240 A20287>), 253, 265, 275, 285, 290, 298, 340, 342, 352, 362, 362N, 365, 372N, 375, 382N, 390, 390T, 396, 398, 399, 565, 575, 590, 675, 690, 698, 698T, 699, 765, 1004, 1004T, 1200
13	S.41388 Stabiliser - Bracket	1867186M1	(240 A20287>), 243, 253, 265, 275, 290, 340, 342, 362, 362N, 372N, 375E, 382N, 390E, 565, 575, 590, 675, 690
14	S.41389 Stabiliser - Plate	1661412M1	(240 A20287>), 253, 265, 275, 285, 290, 298, 340, 342, 352, 362, 362N, 365, 372N, 375, 382N, 390, 390T, 396, 398, 399, 565, 575, 590, 675, 690, 698, 698T, 699, 1004, 1004T, 1200
15	S.12 Grip Clip (Ø4mm x 79mm). To fit pin Ø12 - 22mm	346161X1, 375285X1	(240 A20287>), 253, 265, 275, 285, 290, 298, 340, 342, 352, 362, 362N, 365, 372N, 375, 382N, 390, 390T, 396, 398, 399, 565, 575, 590, 675, 690, 698, 698T, 699, 1004, 1004T, 1200
16	S.41059 Turnbuckle - 3/4" UNC	1661411M1	(240 A20287>), 243, 253, 261, 265, 275, 285, 290, 298, 340, 342, 352, 362, 362N, 365, 372N, 375, 375E, 382N, 390, 390E, 390T, 396, 398, 399, 565, 575, 590, 675, 690, 698, 698T, 699, 1004, 1004T

MF09



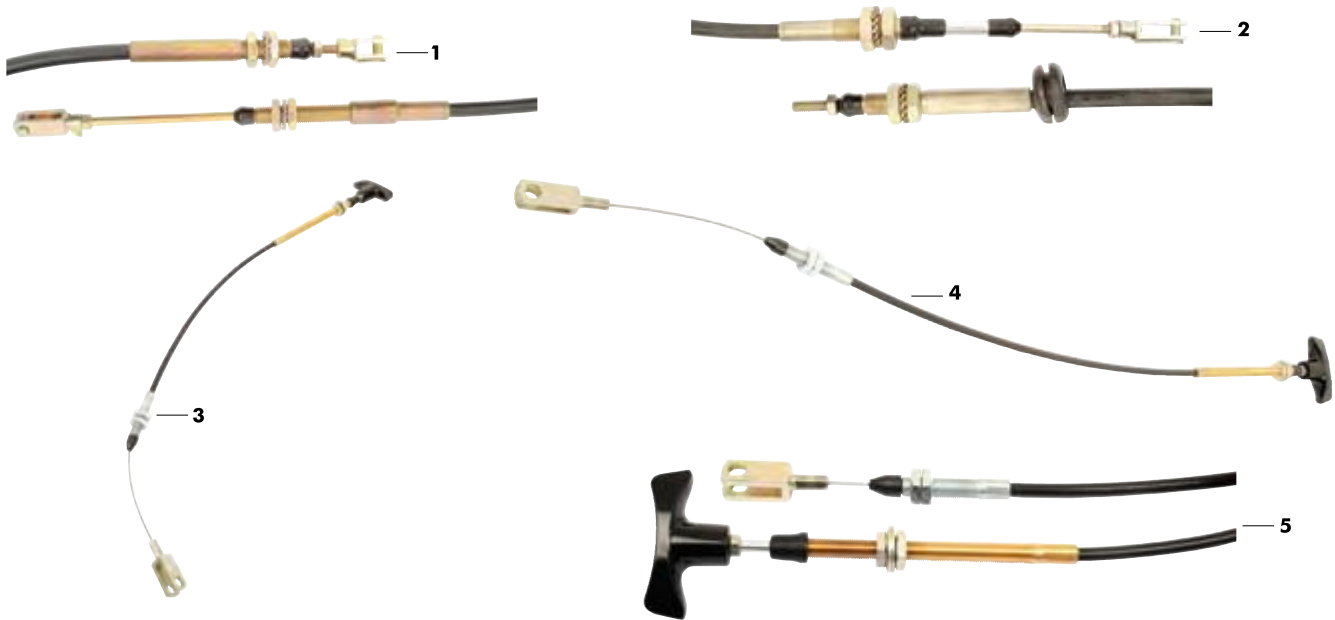
	Description	OEM Ref:	Applications
1	S.41049 D Shackle (c/w Clevis Pin - 5/16")	180333M1+ 195239M1	TEA20, TED20, TEF20, 25, (35, 35X Early Type 5/16"), 122, 130, 835
1	S.62 D Shackle - Pin Ø9mm. Jaw Width: 11mm	897663M1+ 195609M1	(35, 35X Later Type 3/8"), 133, 135, 140
2	S.1406 Clevis Pin (Ø5/16" x 1 5/32")	195239M1	TEA20, TED20, TEF20, 25, (35, 35X Early Type 5/16"), 122, 130, 835
2	S.61 Clevis Pin (Ø3/8" x 1 5/16")	195609M1	(35, 35X Later Type 3/8"), 133, 135, 140
3	S.41046 Check Chain Assembly (Inc. 1 x S.66 - 7 links, 2 x S.41049)	180333M1, 195239M1, 181354M1	TEA20, TED20, TEF20, 25, (35, 35X Early Type 5/16"), 122, 130, 835
3	S.64 Check Chain Assembly (3/8")	897663M1+ 195609M1+ 181354M1	(35, 35X Later Type 3/8"), 133, 135, 140
4	S.68 Check Chain Only (5 Link - 50 x 10mm). Supercedes S.41048	184377M1	(35, 35X Universal Linkage), 65, (133, 135, 140 11 x 32 Rear Wheels), 145, 152, 155, 165, 230, 235, 240, 245, 250, 255, 340, 550, 560
4	S.41047 Check Chain - 5 link (62 x 12.5mm)	893410M1	65, 165, 168, 175, 178, 185, 253, 260, 265, 275, 340, 342, 350, 355, 360, 362, 362N, 365, 372N, 375, 390, 390T, 565, 575, 590, 675, 690, 765
4	S.42224 Check Chain Assembly (Less pins - 4 link 63 x 16mm)	1676197M91	(290, 298, 365, 372N, 375, 390, 390T, 398, 399, 590, 675, 690, 698, 699, 1004, 1004T Heavy Duty)
5	S.1788 Plate - Check Chain	184357M1	(35, 35X Universal Linkage), (133, 135, 140 11 x 32 Rear Wheels), 145, 148, 152, 155, 165, 230, 235, 240, 250, 255, 340, 550, 560, 765, 865
6	S.1789 Lower Link Bracket	184368M1	
7	S.1790 Clevis Pin Ø1/2" x 1 5/16"	195396M1	(35, 35X Universal Linkage), (133, 135, 140 11 x 32 Rear Wheels), 145, 148, 152, 155, 165, 230, 235, 240, 245, 250, 255, 340, 550, 560, 675, 690, 698, 698T, 699, 1004, 1004T, 1105, 1135, 1155, 3610, 3630, 3650, 3680
8	S.9 Grip Clip 2.5 x 43mm	-	
9	S.42061 Check Chain Assembly (5 link - 50 x 10mm)	-	(35, 35X Universal Linkage), 65, (133, 135, 140 11 x 32 Rear Wheels), 145, 152, 155, 165, 230, 235, 240, 245, 250, 255, 340, 550, 560
9	S.42071 Check Chain Assembly (5 link - 62 x 12.5mm)	-	65, 165, 168, 175, 178, 185, 253, 260, 265, 275, 340, 342, 350, 355, 360, 362, 362N, 365, 372N, 375, 390, 390T, 565, 575, 590, 675, 690, 765
10	S.1791 Check Chain Bracket Assembly (Inc. 1 x S.1789, 2 x S.1788, 2 x S.1790, 2 x S.9)	184368M1+ 184357M1+ 195396M1+ 195415M1	(35, 35X Universal Linkage), (133, 135, 140 11 x 32 Rear Wheels), 145, 148, 152, 155, 165, 230, 235, 240, 245, 250, 255, 340, 550, 560, 675, 690, 698, 698T, 699, 1004, 1004T, 1105, 1135, 1155, 3610, 3630, 3650, 3680, 4000
11	S.71129 Clevis Pin (Ø1/2" x 2 1/32")	377415X1	185, 275, 285, 290, 362N, 365, 372N, 375, 382N, 390, 390T, 396, 575, 590, 675, 690, 698, 698T, 699, 1004, 1004T
12	S.42072 Check Chain Assembly (5 link - 40 x 12.5mm)	-	165, 185, 188, 275, 285, 290, 362N, 372N, 375, 382N, 390, 390T, 396, 575, 590
13	S.1080 Eyebolt - Assembly	353573X1+ 897677M1+ 180859M1	TEA20, TED20, TEF20, 35, 35X, 835
14	S.1083 Eyebolt - Assembly	353573X1+ 897677M1+ 897647M1+ 376296X1	(35, 35X Universal Linkage), 133, 135, 140
15	S.42607 Anchor - Check Chain LH	897911M1	35, 35X, 133, 135, 140, 230, 235, 240, 240S, 245, 250, 340, 550
16	S.42518 Anchor - Check Chain RH	897912M1	35, 35X, 133, 135, 140, 230, 235, 240, 240S, 245, 250, 340, 550

MF09



	Description	OEM Ref:	Applications
1	S.17347 Lift Rod - Auto Hitch	1666108M91	165, 230, 240, 250, 253, 261, 263, 265, 275, 290, 298, 342, 352, 362N, 365, 372N, 375, 375E, 382N, 390, 390E, 390T, 396, 398, 399, 550, 565, 575, 590, 675, 690, 698, 698T, 699, 4215, 4220, 4225, 4235, 4240, 4245, 4255, 4260, 4265, 4270, 4315, 4320, 4325, 4335, 4345, 4355, 4360, 4370
2	S.17348 Nut - Lift Rod - Auto Hitch	377744X1	
3	S.42254 Lift Eye - Auto Hitch	1672577M2	165, 230, 240, 250, 253, 261, 263, 265, 275, 290, 298, 342, 352, 362N, 365, 372N, 375, 375E, 382N, 390, 390E, 390T, 396, 398, 399, 550, 565, 575, 590, 675, 690, 698, 698T, 699, 4215, 4220, 4225, 4235, 4240, 4245, 4255, 4260, 4265, 4270, 4315, 4320, 4325, 4335, 4345, 4355, 4360, 4370
4	S.41304 Clevis Pin - Auto Hitch	166495M1	(265 193552>), (275 221522>), (290 387020>), (362, 362N, 372, 375, 382N B18009>), (390, 390T, 396, (398 B18009>), 399, 675, 690, 698, 698T
5	S.41305 Hook Retaining Plate	886231M1, 1670295M1, 1670103M91	(135, 165, 175, 178 Later Type Hitch), 148, 165, 168, 175, 178, 185, 188, 240, 250, 265, 275, 290, 298, 342, 352, 362N, 365, 372N, 375, 382N, 390, 390T, 398, 550, 565, 575, 590, 675, 690, 698, 698T, 699
6	S.41306 Hook - Auto Hitch	886230M1	(135, 165, 175, 178 Later Type Hitch), 148, 168, 185, 188, 240, 250, 265, 275, 290, 298, 342, 352, 362N, 365, 372N, 375, 382N, 390, 390T, 398, 550, 565, 575, 590, 675, 690, 698, 698T, 699
7	S.125 Drawbar - Cat 1 (Ø 22mm)	180485M1	All Models with Cat 1 Linkage
8	S.126 Drawbar - Cat 2 (Ø 28mm)	829032M1	All Models with Cat 2 Linkage
9	S.41736 Drawbar Stay Assembly (c/w 1 x S.41733, 1 x S.41734, 2 x S.8772, 2 x S.1072, 4 x S.4977)	181985M1, 181986M1	35, 35X, 133, 135, 140, 148, 550
10	S.8772 Setscrew (UNF) 7/16" x 1 1/4" Din No. 933. Grade 8.8	353561X1	35, 35X, 133, 135, 140, 148, 550
11	S.6 Linch Pin (Pear) (11 x 44.5mm)	810285M91	TE20, TEA20, TED20, TEF20, TO20, 35, 35X, 65, 133, 135, 140, 148, 152, 155, 158, 165, 168, 175, 178, 185, 188, 230, 240, 250, 253, 265, 275, 285, 290, 340, 342, 350, 352, 355, 362, 365, 372, 375, 382, 385, 390, 390T, 550, 565, 575, 590, 595, 675, 690, 765 Industrial 20C, 20D, 20F, 30B, 30D, 30E, 40B, 40E, 50, 50C, 50E
12	S.72 Lower Link Pin (22x149mm)	645923M1	35, 35X, 65, 135, 165, 175, 178, 765
13	S.42148 Drawbar Retainer Pin (Later drawbar assembly)	886166M1	135, 148, 165, 168, 175, 178, 185, 230, 240, 245, 250, 253, 265, 275, 290, 298, 340, 342, 352, 350, 352, 355, 360, 362N, 365, 375, 382N, 390, 550, 565, 575, 590, 675, 690, 698, 698T, 699
14	S.42977 Lift Pin - Auto Hitch	886224M3	230, (240>A20287), 253, 263, (275, 375E>P12018), (290, 290E>P06156), 342, 352, 362N, (365>B18009), 372N, (375>B18009), (375E>P12018), 382N, (390, 390T>B18009), 396, (398>B18009), (399 1006.6 Engine)
15	S.42634 Cable - Auto Hitch	3611307M91	342, 350, 352, 355, 360, 362, 365, 372N, 375, 382N, 390, 390T, 398, 399
16	S.43102 Oil Seal	1749616M1	158MKIII, (240 A20287>), 243, 253, 263, (265 193552>), (275 221522>), 285, 290, 298, 342, 352, 362, 362N, (365, 375 B18009>), 372N, 382N Steering Cylinder, (390 B18009>), 390T, 396, 398, (399 1006.6 Engine), 575, 590, 675, 690, 698, (698T 84>), 699, (1004 Back Bone Cylinder)

MF09



	Description	OEM Ref:	Applications
1	S.43899 Cable - Hitch Pick Up (1880mm)	3619363M1, 3389638M3,	3050, 3060, 3065, 3070, 3075, 3080, 3085, 3090, 3095, 3115, 3120, 3125, 3610, 3630, 3635, 3645, 3650, 3655, 3670, 3680, 3690, (6110, 6120, 6130, 6140, 6150, 6160, 6170, 6180, 8110, 8120, 8130, 8140, 8150, 8160 >E064051) 6235, 6245, 6255, 6260, 6265, 6270, 6280, 6290
2	S.43900 Cable - Hitch Pick Up (1940mm)	3715975M3, 3715975M2, 3715975M4	(5425, 5435, 5445, 5455, 5460, 5470, 5480 Tier 3), (5425, 5435 T163022>T186043), (5445, 5455 T190042>T190045), (5465, 5475 Tier 3 Perkins Engine), (5465, 5475 Tier 3 Sisu Engine), 5465, 5470, (6110, 6120, 6130, 6140, 6150, 6160, 6170, 6180, 6190 E064052>), 6235, 6245, 6255, 6260, 6265, 6270, 6280, 6290, (8110, 8120, 8130, 8140, 8150, 8160 E064052>), 8210, 8220, 8240, 8250, 8260, 8270, 8280
3	S.43901 Cable - Hitch Pick Up (665mm)	3701955M91, 3759352M10	(342, 352, 362N, 365, 372N, 375, 382N, 390, 390T, 398 LP Cab), 342, 352, 362N, (365 B18009>), 372N, (375 B18009>), 382N, (390, 390T, 398 B18009>).
4	S.43902 Cable - Hitch Pick Up (745mm)	3701954M91, 3759353M10	(365, 375, 390, 390T, 396, 398, 399 Hi-Line Cab), (365, 375, 390 (T), 398 B18009>), 396, (399 1006.6 Engine)
5	S.103284 Cable - Hitch Pick Up (1780mm)	3820874M92, 3815365M92	(4215, 4220, 4225, 4235, 4240, 4245, 4255, 4260, 4265, 4270, 4315, 4320, 4325, 4335, 4345, 4355, 4360, 4365, 4370 with & less electronic lift control)

MF09

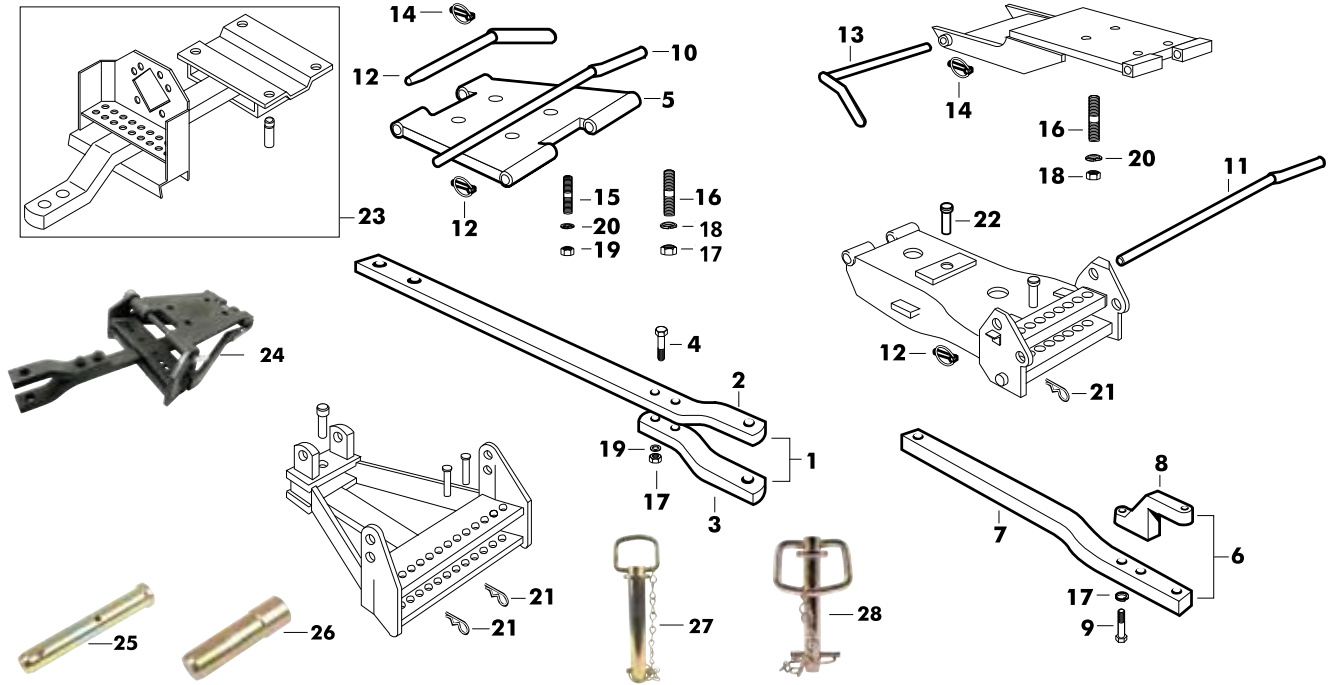
For our complete range of linkage...

Go to www.sparex.com



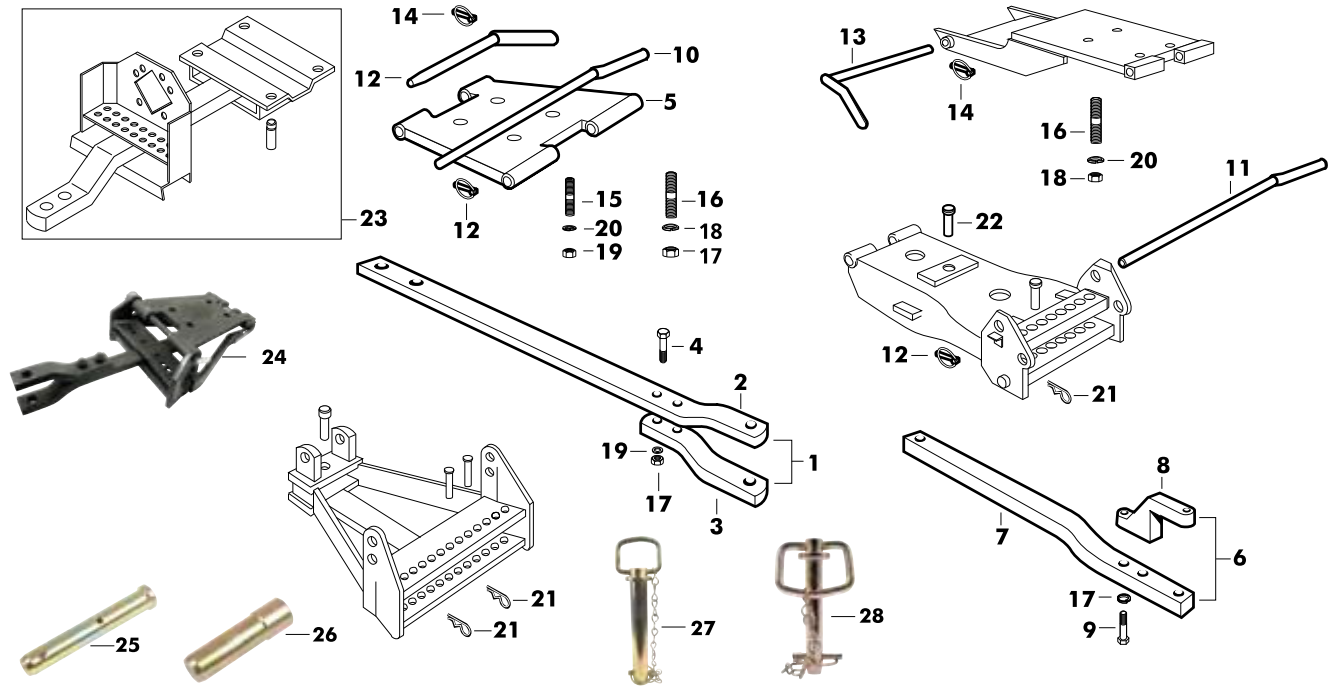
Swinging Drawbar & Related Components

For complete product range...



	Description	OEM Ref:	Applications
1	S.41018 Swinging Drawbar (c/w Clevis Only) (33 1/2" x 2" x 1 1/16")	872149M1+ 824360M1	35, 35X, 65, (135, 165, 175, 178 Early Type), 765
2	S.42983 Drawbar Only	-	35, 35X, 65, (135, 165, 175, 178 Early type), 765
3	S.41019 Drawbar Clevis	824360M1	35, 35X, 65, (135, 165, 175, 178 Early Type), 765
4	S.4913 Bolt - 5/8" x 3" UNF Din No. 931. Grade 8.8	353623X1, 377170M1	165, 168, 175, 178, 185, 188, 265, 275, 285, 290, 375E, 390E, 565, 575, 590, 675, 690
5	S.42690 Plate - Auto hitch 3/4" Hole	898670M91	35, 35X
6	S.71126 Drawbar (c/w Clevis & Bolts)	1869060M1+ 874948M1	(165, 175, 178 Later Type), 168, 185, 188, 265, 275, 290, 298, 362N, 365, 372N, 375, 390, 390T, 396, 398, 399, 565, 575, 590, 675, 690, 698, 698T, 699
7	S.41293 Drawbar Only - (4" x 1 3/8")	1869060M1	(165, 175, 178 Later Type), 168, 185, 188, 265, 275, 290, 298, 362N, 365, 372N, 375, 390, 390T, 396, 398, 399, 565, 575, 590, 675, 690, 698, 698T, 699
8	S.41292 Drawbar Clevis	874948M1	135, 148, 165, 175, 178, 168, 185, 188, 230, 231, 240, 243, 245, 253, 263, 265, 265S, 275, 290, 298, 342, 350, 352, 355, 360, 362, 362N, 365, 372N, 375, 375E, 390, 390T, 396, 398, 399, 415, 425, 435, 440, 445, 550, 565, 575, 590, 675, 690, 698, 698T, 699
9	S.4912 Bolt - 5/8" x 2 1/2" UNF. Din No. 931. Grade 8.8	353619X1	(165, 175, 178 Later Type), 168, 185, 188, 265, 275, 290, 298, 362N, 365, 372N, 375, 390, 390T, 396, 398, 399, 565, 575, 590, 675, 690, 698, 698T, 699
10	S.1711 Drawbar Pin - Long (Early type) (13 3/4" Pin hole to handle)	883877M91	35, 35X, 65, (135, 165, 175, 178 Early Type), 765
11	S.2731 Drawbar Pin - Long (Later type)	886163M91	(135, 165, 175, 178 Later Type), 148, 168, 185, 230, 240, 245, 250, 253, 265, 350, 355, 360, 365, 375, 390, 550, 690
12	S.1712 Drawbar Pin - Short (Early type) (7 3/4" Pin hole to handle)	883876M91	35, 35X, 65, (135, 165, 175, 178 Early Type), 765
13	S.2732 Drawbar Pin - Short (Later type) (9 3/4" Pin hole to end)	886162M92	(135, 165, 175, 178 Later Type), 148, 168, 185, 230, 240, 245, 250, 253, 265, 275, 290, 298, 342, 350, 352, 355, 360, 362, 365, 375, 382, 390, 396, 398, 399, 415, 425, 435, 440, 445, 550, 565, 575, 590, (675, 690, 698, 699 from 1984)
14	S.2 Linch Pin (Pear) (6 x 44.5mm)	811201M91	35, 35X, 65, 135, 148, 165, 168, 175, 178, 185, 230, 240, 245, 250, 253, 265, 350, 355, 360, 365, 375, 390, 550, 690, 765
15	S.1725 Drawbar Bracket Stud (5/8" x 2 1/8"). Usable Length: 24mm. Auto hitch brackets less swinging drawbar adaptor plate.	645931M1, 897616M1	(35, 35X, 65, 765 Auto Hitch Bracket less Swinging Drawbar)
15	S.41023 Drawbar Bracket Stud (5/8" x 2 3/4"). Usable Length: 32mm. Swinging drawbar adaptor plate.	824387M1, 1686397M1	(35, 35X, 65, 135, 165, 175, 178 Swinging Drawbar)
15	S.1726 Drawbar Bracket Stud (5/8" x 3 3/4"). Usable Length: 24mm. Used prior to 1959	824271M1, 824433M1	35, 35X

MF09



	Description	OEM Ref:	Applications
16	S.1720 Drawbar Bracket Stud (3/4"). Usable Length: 32mm	886160M1, 886160M2, 899304M1	135, 148, 165, 168, 175, 178, 185, 188, 230, 231, 240, 243, 250, 253, 261, 263, 265, 265S, 275, 285S, 290, 298, 342, 350, 355, 360, 362, 362N, 365, 372N, 375, 375E, 382N, 390, 390E, 390T, 396, 398, 399, 415, 425, 435, 440, 445, 550, 565, 575, 590, 675, 690, 698, 698T, 699, 4215, 4220, 4225, 4235, 4240, 4245, 4255, 4260, 4265, 4270, 4315, 4320, 4325, 4335, 4345, 4355, 4360, 4365, 4370
17	S.1014 Hexagon Nut 3/4" UNF Din No. 934. Grade 8.8	353435X1	
18	S.1032 Spring Washer - I/D: 20mm (3/4"). Din No. 127B Plated	353440X1	
19	S.1002 Hexagon Nut - 5/8" UNF Din No. 934. Grade 8.8	353427X1	165, 168, 175, 178, 185, 188, 265, 275, 285, 290, 375E, 390E, 565, 575, 590, 675, 690
20	S.1033 Spring Washer - I/D: 16mm (5/8") Din No. 127B Plated	353433X1	165, 168, 175, 178, 185, 188, 265, 275, 285, 290, 375E, 390E, 565, 575, 590, 675, 690
21	S.12 Grip Clip (Ø4mm x 79mm). To fit pin Ø12 - 22mm	346161X1, 375285X1	(240 A20287>), 253, 265, 275, 285, 290, 298, 340, 342, 352, 362, 362N, 365, 372N, 375, 375E, 375, 382N, 390, 390T, 396, 398, 399, 565, 575, 590, 675, 690, 698, 698T, 699, 1004, 1004T, 1200
22	S.42148 Drawbar Retainer Pin (Later drawbar assembly)	886166M1	135, 148, 165, 168, 175, 178, 185, 230, 240, 245, 250, 253, 265, 275, 290, 298, 340, 342, 352, 350, 352, 355, 360, 362N, 365, 375, 382N, 390, 550, 565, 575, 590, 675, 690, 698, 698T, 699
23	S.60270 Swinging Drawbar Kit	-	TE20, TEA20, TED20, TEF20, TO20
24	S.73628 Swinging Drawbar Kit	872142M91	FE35, 35, 35X, 65, 135, 165, 175, 178
25	S.43634 Drawbar Positioning Pin	195357M1	35, 35X, 65, 135, 148, 165, 175, 178, 185, 188
26	S.43635 Drawbar Positioning Pin	824393M1	35, 35X, 65, 135, 165, 175, 178
27	S.404 Drawbar Pin (Long)	-	-
28	S.408 Drawbar Pin (Long)	-	-

MF09