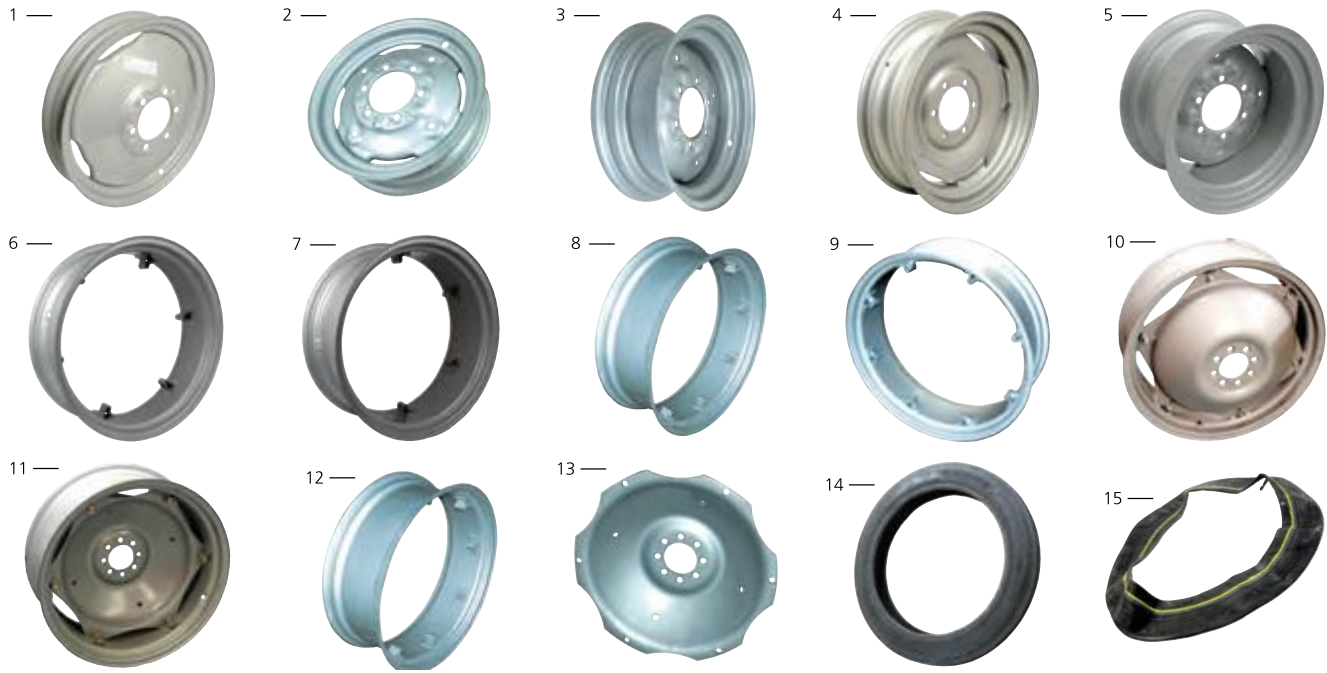


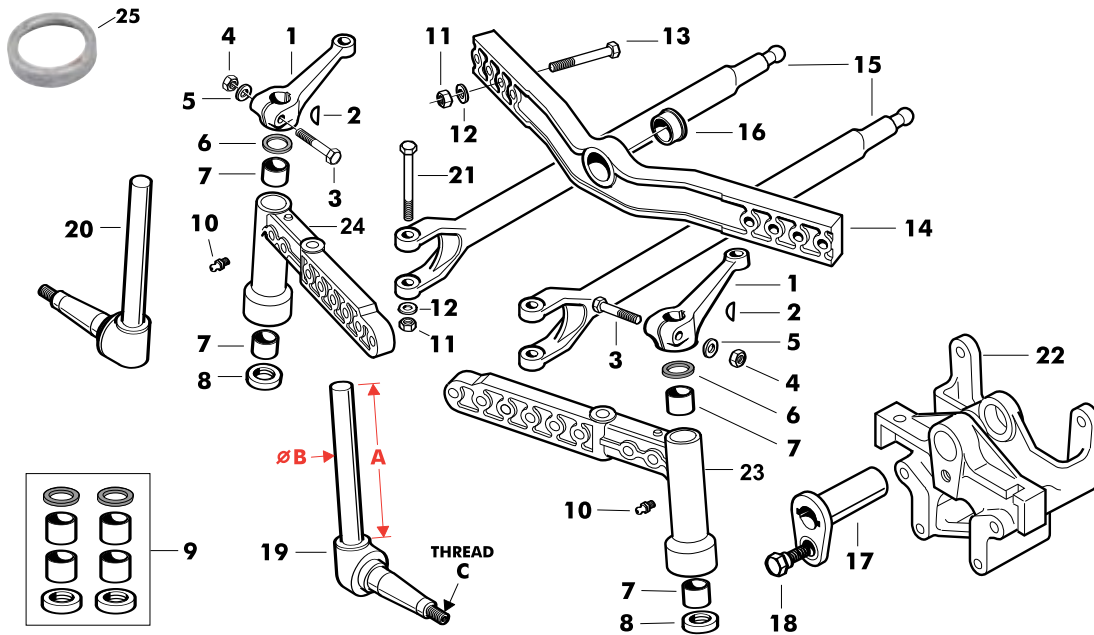
Applications	1. Seal	2. Bearing	3. Hub	4. Bearing	5. Washer	6. Nut
TEA20, TED20, TEF20, FE 35, 35, (35X>368615), (65>601684 Standard Duty)130, (765>601684 Standard Duty)	S.2969 897363M1	S.2967 1850224M91	S.40243 898085M91  S.42782 (c/w Studs & Cap)	S.2968 150662M11	S.11222 180010M1	S.40213 353928X1 (3/4" UNF)
(35 368616>), (65 601685> Standard Duty), 135, 148, (165, 168, 175, 178 Standard Duty), 230, 231, 240, 250, 253, (265, 275 Standard Duty), 340, 342, 350, (360 Standard Duty), 550, (565 Standard Duty), (765 601685> Standard Duty) Industrial 20B, 20D, 20E, 2135 (Bolt Type Hub)	S.2973 897242M1	S.2971 1851800M91	S.40245 886336M1  S.42781 (c/w Studs & Cap)	S.2972 895322M91	S.11222 180010M1	S.40213 353928X1 (3/4" UNF)
(65, 165, 168, 175, 178, 185, 188, 250 Heavy Duty), 255, 270, (275 Heavy Duty), 282, 283, (285 Heavy Duty), 290, 352, 355, 360, 375, 383, 390, 393, 398, (565 Heavy Duty), 575, 590, 670, 675, 690, (675 Heavy Duty), (698, 698T Excluding 40244 & 42783 Hubs)	S.2977 897702M1	S.2976 893375M91	S.40244 898346M93 898347M93 898348M93  S.42783 (c/w Studs & Cap)	S.2975 893373M91	S.41338 881384M1, 898349M1	S.40214 882263M1 (1 1/4" UNF)
4215, 4220, 4225, 4235, 4240, 4245, 4255, 4260, 4265, 4270, 4315, 4320, 4325, 4335, 4360, 4370, 5335, 5340, 5355, 5360, 5365, 5425, 5435, 5445, 5455, 5460, 6445, 6455, 6460, 6470 Industrial 30D, 30E, 40	S.42277 882261M1	S.18516 646620M91, 882554M91	S.107257 882254M1	S.42279 645695M91	S.41338 881384M1, 898349M1	S.40214 882263M1 (1 1/4" UNF)
425, 435, 440, 445, 460, 465, 475	S.2977 897702M1	S.2976 893375M91	S.2975 893373M91	S.41338 881384M1, 898349M1	S.40214 882263M1 (1 1/4" UNF)	
(595, 1080, 3050, 3060, 3065 2WD)						
Applications	7. Split Pin	8. Hub Cap	9. Greaser	10. Stud/Bolt	11. Nut	12. Kit
TEA20, TED20, TEF20, FE35, 35, (35X>368615), (65>601684 Standard Duty) 130, (765>601684 Standard Duty)	S.1501 354068X1	S.40246 191142M1 1884289M1	S.821 200191M1	S.1755 181328M1	S.1756 195490M1 (1/2" UNF)	S.2970 1810391M91
(35 368616>), (65 601685> Standard Duty), 135, 148, (165, 168, 175, 178 Standard Duty), 230, 231, 240, 250, 253, (265, 275 Standard Duty), 340, 342, 350, (360 Standard Duty), 550, (565 Standard Duty), (765 601685> Standard Duty) Industrial 20B, 20D, 20E, 2135 (Bolt Type Hub)	S.1501 354068X1	S.40246 191142M1 1884289M1	S.821 200191M1	S.2744 512581M1 906863M1 887135M1		S.2974 1810416M91
(65, 165, 168, 175, 178, 185, 188, 250 Heavy Duty), 255, 260, 265, 270, (275 Heavy Duty), 280, 282, 283, (285 Heavy Duty), 290, 350, 352, 355, 360, 362, 362N, 365, 372N, 375, 375E, 383, 390, 390E, 390T, 396, 398, 399, (565 Heavy Duty), 575, 590, 592, 595, 670, 675, 690, (675 Heavy Duty), (698, 698T Excluding 40244 & 42783 Hubs)	S.1505 354089X1	S.40247 882637M1	S.821 200191M1	S.4232 831420M1	S.1756 195490M1 (1/2" UNF)	S.2978 1810320M91
4215, 4220, 4225, 4235, 4240, 4245, 4255, 4260, 4265, 4270, 4315, 4320, 4325, 4335, 4360, 4370, 5335, 5340, 5355, 5360, 5365, 5425, 5435, 5445, 5455, 5460, 6445, 6455, 6460, 6470, Industrial 30D, 30E, 40						S.3515 1639081M91
130, 140, 158						
135 N.A., 298, 375, 390, 398, 399, 595, 595 MKII, 698, 698T, 699, 1080, 1085, 1100, 1105, 1130, 1135, 1150, 1155, 2620, 2625, 2640, 2645, 2680, 2685, 2720, 2725, 2775, 2805, 3050, 3060, 3065, 3070, 3075, 3080, 3085, 3090, 3095, 3115, 3125, 3610, 3630, 3645, 3650, 3655, 6110, 6120, 6130, 6140, 6150 2WD 6 hole hub				S.14945 518611M1		
425, 435, 440, 445, 460, 465, 475		S.107256 489172M1 (Hub Cap)  S.107208 882282M1 (Gasket)	S.822 200191M1 13811X	S.107255 488988M2	S.2742 881162M2	S.42280 3405259M91
(595, 1080 2WD)	S.1505 354089X1		S.821 200191M1	S.4232 831420M1	S.1756 195490M1 (1/2" UNF)	S.2978 1810320M91
(3050, 3060, 3065 2WD)	S.1505 354089X1					S.2978 1810320M91



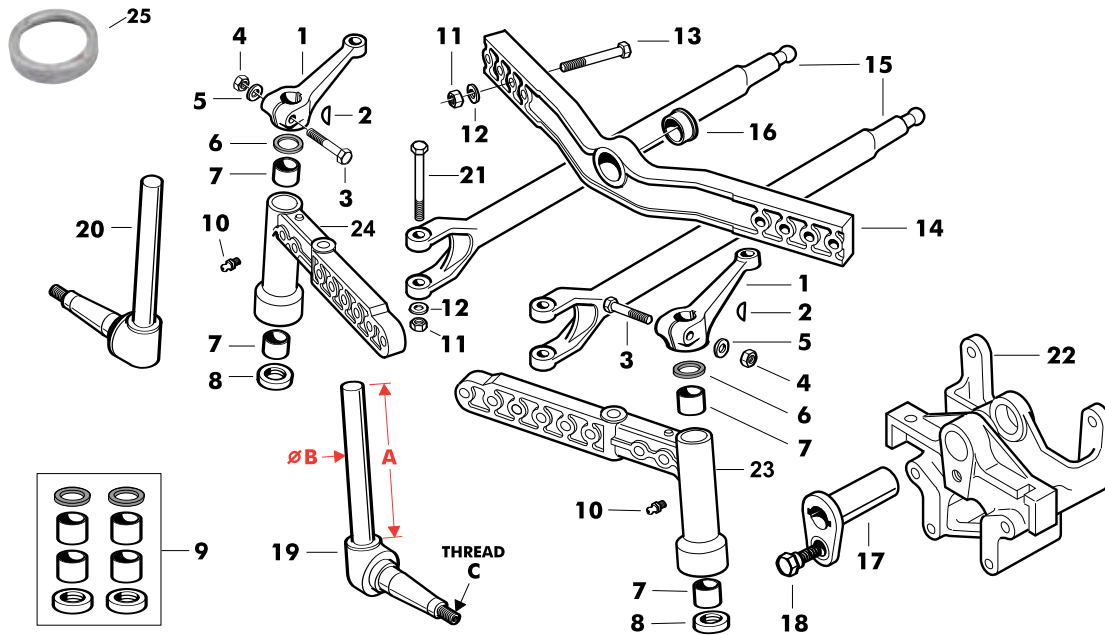
		Description	OEM Ref:	Applications
1	<b>S.60504</b>	Wheel Rim - Front 3.00 x 19" (As OE original)	827168M1	<b>TE20, TEA20, TED20, TEF20, TO20</b>
1	<b>S.59044</b>	Wheel Rim - Front 3.5 x 19" (79mm Offset)(600 x 19 Tyre) Heavy Duty (Drilled to accept wheel weights)	-	<b>TE20, TEA20, TED20, TEF20, TO20</b>
2	<b>S.40286</b>	Wheel Rim - Front 450 x 16" (600 x 16" Tyre)	506020M91, 1883335M2	<b>TEA 20, TED 20, TEF 20, FE 35, 35, 35X, 65, 135, 148, 165, 168, 230, 240, 250, 265, 350, 355, 360, 362, 365, 375, 390, 550, 765</b>
3	<b>S.40287</b>	Wheel Rim - Front 550 x 16" (750 x 16" Tyre)	509893M91, 1678319M91, 1691618M92, 1693421M92	<b>65, 165, 168, 175, 178, 185, 188, 240, 250, 265, 275, 285, 290, 298, 340, 342, 350, 352, 355, 360, 362, 362N, 365, 375, 390, 550, 565, 575, 765, 3050, 3060, 3065, 3070, 3080, 3090</b>
4	<b>S.40288</b>	Wheel Rim - Front 550 x 18" (750 x 18" Tyre)	1861319M91	<b>265, 275, 285, 290, 298, 340, 342, 350, 352, 355, 360, 362, 362N, 365, 375, 390, 398, 399, 565, 575, 590, 595, 675, 690, 698, 1080, 3050, 3060, 3065, 3070, 3080, 3090</b>
5	<b>S.40289</b>	Wheel Rim - Front 650 x 16" (900 x 16" Tyre)	1671829M91	<b>265, 275, 285, 290, 298, 565, 575, 590, 595, 675, 690, 698, 1080, 3050, 3060, 3065, 3070, 3080, 3090</b>
6	<b>S.42169</b>	Wheel Rim - Rear 9" x 28" (6 Loops)	897137M92	<b>TE20, TEA20, TED20, TEF20, TO20</b>
6	<b>S.61966</b>	Wheel Rim - Rear 10" x 28" (6 Loops)	-	<b>(35, 35X, 135, 148, 230, 240, 550 Rear Wheel - 2 Wheel Drive) (265, 275, 290, 298, 592, 595, 675, 690, 698, 698T, 699, 2620, 2625, 3050, 3065, 3070, 3075, 3080, 3085, 3095 Front Wheel - 4 Wheel Drive)</b>
7	<b>S.42555</b>	Wheel Rim - Rear 11" x 28" (6 Loops)	1870401M91	<b>(65, 240, 765, 865 Rear Wheel), (2640, 2645, 2680, 2685, 2720, 2725, 3610, 3630, 3650, 3655, 3680, 3690 Front Wheel)</b>
8	<b>S.43059</b>	Wheel Rim - Rear 10" x 32" (8 Loops)	1882999M91	<b>(65, 135, 148, 165, 240, 250, 550, 765 Rear Wheel), (2640, 3645, 2680, 2685 Front Wheel)</b>
9	<b>S.43060</b>	Wheel Rim - Rear 11" x 36" (8 Loops)	1863773M91	<b>65, 168, 175, 175S, 178, 185, 188, 275, 290, 675, 765</b>
10	<b>S.42194</b>	Wheel Assembly - Rear 9" x 28" (6 Loops) (10" or 11" x 28" Tyres)	897137M92, 1678566M1	<b>TE20, TEA20, TED20, TEF20</b> <b>(35, 35X, 133, 135, 140, 148, 230, 235, 240, 245, 250, 550, 835 Rear Wheel - 2 Wheel Drive)</b>
11	<b>S.42557</b>	Wheel Assembly - Rear 11" x 28" (6 Loops)	1870401M91, 1882977M1	<b>TE20, TEA20, TED20, TEF20</b> <b>(35, 35X, 133, 135, 140, 148, 230, 235, 240, 245, 250, 550, 835 Rear Wheel - 2 Wheel Drive)</b>
12	<b>S.42790</b>	Wheel Assembly - Rear 14" x 30" (8 Loops)	1688674M91	<b>(65, 165, 168, 175, 175S, 178, 185, 265, 275, 290, 565, 575, 765, 1200, 1250 Rear Wheel), (1200, 1250 Front Wheel)</b>
13	<b>S.42170</b>	Wheel Disc - Rear 9" x 28" (6 Loops)	1882977M1, 963613M1, 1678566M1	<b>TE20, TEA20, TED20, TEF20</b> <b>(35, 35X, 133, 135, 140, 148, 230, 235, 240, 245, 250, 550, 835 Rear Wheel - 2 Wheel Drive)</b>
14	<b>S.78899</b>	Tyre 400 x 19 x 4 ply	-	<b>TE20, TEA20, TED20, TEF20, TO20</b>
15	<b>S.207</b>	Tube 400 x 19	-	<b>TE20, TEA20, TED20, TEF20, TO20</b>



		Description	OEM Ref:	Applications
16	<b>S.41383</b>	Stop - PAVT	898022M1	All Models with Rear P.A.V.T Rims Fitted ( <b>398, 399, 3050, 3060, 3065, 3070, 3075, 3080, 3085, 3090, 3095, 3115, 3120, 3120T, 3125, 3610, 3630, 3635, 3645, 3650, 3655, 3670, 3680, 3690</b> Models with 4 Wheel Drive Front Axle using P.A.V.T Wheel Rims)
17	<b>S.41384</b>	Screw - PAVT	227608M1, 1751403M1	All Models with Rear P.A.V.T Rims Fitted ( <b>398, 399, 3050, 3060, 3065, 3070, 3075, 3080, 3085, 3090, 3095, 3115, 3120, 3120T, 3125, 3610, 3630, 3635, 3645, 3650, 3655, 3670, 3680, 3690</b> Models with 4 Wheel Drive Front Axle using P.A.V.T Wheel Rims)
18	<b>S.65113</b>	Bolt & Nut Assembly (CHS - 5/8" x 2 7/8" UNF)	-	<b>TE20, TEA20, TED20, TEF20, TO20</b> Most Models with Standard Rear Rims or 4 Wheel Drive Axles fitted with Standard Bolt on Rims
19	<b>S.4352</b>	Bolt & Nut Assembly (Pipped - 5/8" x 2 7/8" UNF)	828217M1, 353427X1	<b>TE20, TEA20, TED20, TEF20, TO20</b> Most Models with Standard Rear Rims or 4 Wheel Drive Axles fitted with Standard Bolt on Rims (Pipped Type Bolts)
20	<b>S.41452</b>	Wheel Bolt (CHS - 3/4" x 4 1/2" UNC Grip 3/4")	363296X1	<b>(398, 399, 3050, 3060, 3065, 3070, 3075, 3080, 3085, 3090, 3095, 3115, 3120, 3120T, 3125, 3610, 3630, 3635, 3645, 3650, 3655, 3670, 3680, 3690</b> Models with 4 Wheel Drive Front Axle using P.A.V.T Wheel Rims)
21	<b>S.41476</b>	Wheel Bolt c/w Nut & Washer (CHS - 3/4" x 4 1/2" UNC - Grip 3/4")	363296X1 +, 375100X1 +, 353440X1 +, 353762X1	<b>(398, 399, 3050, 3060, 3065, 3070, 3075, 3080, 3085, 3090, 3095, 3115, 3120, 3120T, 3125, 3610, 3630, 3635, 3645, 3650, 3655, 3670, 3680, 3690</b> Models with 4 Wheel Drive Front Axle using P.A.V.T Wheel Rims)
22	<b>S.65114</b>	Bolt & Nut Assembly (CHS - M16 x 122mm)	1684905M1+, 339034X1	<b>(240 522354&gt;), 250, 253, (265, 275 193552&gt;), (290 P12018&gt;), 298, 340, 342, 350, 352, 355, 360, 362, 362N, 365, 372N, 375, (375E P12018&gt;), 382N, 390, (390E P06156&gt;), 390T, 396, 398, 399, 675, 690, 4215, 4220, (4225, 4235, 4240, 4245, 4255, 4260, 4265, 4270&gt;K37008)</b>
23	<b>S.11499</b>	Wheel Stud (Pipped - M16 x 120mm - Grip 16mm)	3384624M1	<b>(363, 373, 383, 393</b> With 8 Hole Pressed Steel Disc R12175>), <b>(363LX , 3635, 373LX, 3735, 383LX, 3835, 393LX, 3935, 393LX</b> With 8 Hole Pressed Steel Disc), <b>(377, 387, 397, 397T, 1007</b> With 8 Hole Pressed Steel Disc R09069.>), <b>3050, 3060, 3065, 3070, 3080, 3085, 3090, 3095, 3115, 3120, 3125, 3610, 3630, 3635, 3645, 3650, 3655, 3670, 3680, 3690, 6120, 6130, 6140, 6150, 6160, 6170, 6180, 6190, 6235, 6245, 6255, 6260, 6270, 6280, 6290, 6445, 6455, 6460, 6470, 6485, 6490, 6495, 6497, 6499, 8110, 8120, 8130, 8140, 8150, 8160, 8210, 8220</b>
24	<b>S.43523</b>	Wheel Bolt (CHS - M18 x 95mm - Grip 18mm)	3384603M1	<b>3050, 3060, 3065, 3070, 3075, 3080, 3085, 3090, 3095, 3115, 3120, 3125, 3610, 3630, 3635, 3645, 3650, 3655, 3670, 3680, 3690, 6150, 6160, 6170, 6180, 6190, 6235, 6245, 6245, 6255, 6260, 6265, 6270, 6280, 6290, 6465, 6485, 6490, 6495, 6497, 6499, 7465, 7475, 7480, 7485, 7490, 7495, 8110, 8120, 8130, 8140, 8150, 8160, 8170, 8180, 8210, 8220, 8240, 8250, 8260, 8270, 8280, 8450, 8460, 8470, 8480</b>
25	<b>S.2984</b>	Wheel Stud - Centre to Outer Disc (Knurled - 9/16" x 1 7/16" UNF - Grip 0.645")	827854M1	<b>65, 133, 135, 145, 148, 152, 155, 158, 165, 168, 175, 178, 185, 188, 240, 250, 260, 265, 275, 285, 290, 560, 565, 575, 590, (675&gt;84), 690, 765, 865</b>
26	<b>S.21038</b>	Bolt & Nut Kit M16 x 100M (8)	-	-
27	<b>S.1752</b>	Wheel Nut - Centre to Outer Disc (Cone - 9/16" UNF)	180004M1	<b>TE20, TEA20, TED20, TEF20, TO20</b> <b>65, 133, 135, 145, 148, 152, 155, 158, 165, 168, 175, 178, 185, 188, 240, 250, 260, 265, 275, 285, 290, 560, 565, 575, 590, (675&gt;84), 690, 765, 865</b>
28	<b>S.41607</b>	Wheel Rim Lug - Weld On (47mm wide)	-	<b>TE20, TEA20, TED20, TEF20, TO20</b> Most Models with Standard Rear Rims or 4 Wheel Drive Axles fitted with Standard Bolt on Rims
29	<b>S.41324</b>	Clamp - PAVT	898021M1, 3615259M1	All Models with Rear P.A.V.T Rims Fitted ( <b>398, 399, 3050, 3060, 3065, 3070, 3075, 3080, 3085, 3090, 3095, 3115, 3120, 3120T, 3125, 3610, 3630, 3635, 3645, 3650, 3655, 3670, 3680, 3690</b> Models with 4 Wheel Drive Front Axle using P.A.V.T Wheel Rims)



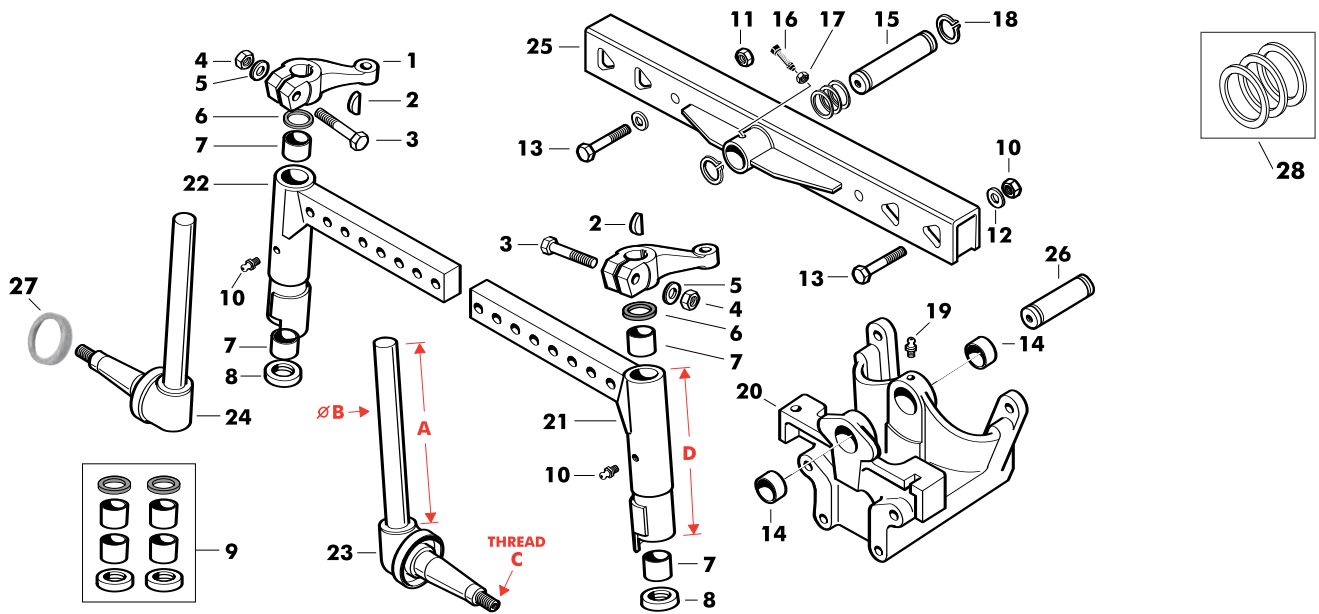
	Description	OEM Ref:	Applications
1	<b>S.41863</b> Steering Arm	180350M1	TE20, TEA20, TED20, TEF20, FE35, 35, 35X, (135, 148 Manual Steering)
2	<b>S.2922</b> Woodruff Key 5/16" x 1 1/4"	350355X1	TE20, TEA20, TED20, TEF20, FE35, 35, 35X, 135, 148
3	<b>S.1075</b> Bolt - 7/16" x 2 3/4" UNF	353572X1	TE20, TEA20, TED20, TEF20, FE35, 35, 35X, 135, 148
4	<b>S.1072</b> Hexagon Nut - 7/16" UNF Din No. 934. Grade 8.8	353426X1	TE20, TEA20, TED20, TEF20, FE35, 35, 35X, 135, 148
5	<b>S.1067</b> Spring Washer - I/D: 11mm (7/16") Din No. 127B Plated	353432X1	TE20, TEA20, TED20, TEF20, FE35, 35, 35X, 135, 148
6	<b>S.40220</b> Dust Seal (1 1/4")	180355M2	TE20, TEA20, TED20, TEF20, FE35, 35, 35X, 135, 148
7	<b>S.5932</b> Bush - (1 1/4") (Unfinished)	180345M1	TE20, TEA20, TED20, TEF20, FE35, 35, 35X, 135, 148
7	<b>S.42244</b> Bush - (1 1/4") (Finished)	180345M1	TE20, TEA20, TED20, TEF20, FE35, 35, 35X, 135, 148
8	<b>S.40226</b> Bearing - Thrust	018560X, 195175M1	TE20, TEA20, TED20, TEF20, FE35, 35, 35X, 135, 148
9	<b>S.40217</b> Spindle Repair Kit (Contains: 4 x S.5932, 2 x S.40220, 2 x S.40226)	-	TE 20, TEA 20, TED 20, TEF 20, FE 35, 35, 35X, 135, 148
10	<b>S.821</b> Grease Nipple (1/4" UNF / 0°)	200191M1	TE20, TEA20, TED20, TEF20, FE35, 35, 35X, 135, 148
11	<b>S.1002</b> Hexagon Nut - 5/8" UNF Din No. 934. Grade 8.8	353427X1	TE20, TEA20, TED20, TEF20, FE35, 35, 35X, (135>140128), (148>604669)
12	<b>S.4979</b> Flat Washer (5/8") Din No. 125A Plated. Supercedes S.6839	353774X1	TE20, TEA20, TED20, TEF20, FE35, 35, 35X, (135>140128), (148>604669)
13	<b>S.4913</b> Bolt - 5/8" x 3" UNF Din No. 931. Grade 8.8	353623X1, 377170M1	TE20, TEA20, TED20, TEF20, FE35, 35, 35X, (135>140128), (148>604669)
13	<b>S.40114</b> Bolt & Nut (Nyloc) Assembly 5/8" UNF x 3" Supercedes S.42028	353623X1, 376267X1	TE20, TEA20, TED20, TEF20, FE35, 35, 35X, (135>140128), (148>604669)
14	<b>S.60246</b> Axle Beam - Swept Back	183219M91	FE35, 35, 35X, (135>140128), (148>604669)



	Description	OEM Ref:	Applications
15	<b>S.40970</b> Radius Rod - Front Axle Support	883295M91	<b>FE35, 35, 35X, (135&gt;140128), (148&gt;604669)</b>
16	<b>S.42621</b> Bush - Early Axle No flange (O/D: 48.6 x I/D: 44.7 x W: 38.4mm)	180344M1	<b>TE20, TEA20, TED20, TEF20, T020, (35 &gt;4859)</b>
16	<b>S.40107</b> Bush - Steel Comes with flange (3/4" long)	182850M1	<b>(TE20, TEA20, TED20, TEF20, T020 Later Axles with Steel Bush), (35 4860&gt;), 35X, (135&gt;140128), (148&gt;604669)</b>
16	<b>S.42219</b> Bush - Bi Metal Comes with flange (1 1/2" long - alternative to S.40107)	-	<b>(TE20, TEA20, TED20, TEF20, T020 Later Axles with Steel Bush), (35 4860&gt;), 35X, (135&gt;140128), (148&gt;604669)</b>
17	<b>S.42225</b> Axle Pin	825002M1, 2284	<b>TE20, TEA20, TED20, (TEF20 with later Axle), T020</b>
17	<b>S.40104</b> Axle Pin	183221M1, 193746M1	<b>FE35, 35, 35X, (135&gt;140128), (148&gt;604669), 230, 235</b>
18	<b>S.41340</b> Bolt - Axle Pin Retainer (Only suitable for S.40104)	181953M1, 181953M2	<b>FE35, 35, 35X, (135&gt;140128), (148&gt;604669), 230, 235</b>
19	<b>S.15984</b> Spindle LH (Length 11" Ø 1 1/4" Thread 3/4" UNF) Inner bearing Ø 1.250"	180349M92, 897415M91	<b>TE20, TEA20, TED20, TEF20, FE35, (35&gt;368615)</b>
19	<b>S.15986</b> Spindle LH (Length 11" Ø 1 1/4" Thread 3/4" UNF) Inner bearing Ø 1.373"	897237M94	<b>(35 368616&gt;), 135, 148</b>
20	<b>S.15985</b> Spindle RH (Length 11" Ø 1 1/4" Thread 3/4" UNF) Inner bearing Ø 1.250"	180346M92, 897414M91	<b>TE20, TEA20, TED20, TEF20, FE35, (35&gt;368615)</b>
20	<b>S.15987</b> Spindle RH (Length 11" Ø 1 1/4" Thread 3/4" UNF) Inner bearing Ø 1.373"	897236M94	<b>(35 368616&gt;), 135, 148</b>
21	<b>S.53802</b> Bolt - 5/8" x 5 1/2" UNF Din No. 931. Grade 8.8	354394X1, 883303M1	<b>TE20, TEA20, TED20, TEF20, FE35, 35, 35X 135, 148</b>
22	<b>S.60244</b> Axle Carrier - Swept Back Axle	826890M2	<b>35, (135&gt; 400000)</b>
23	<b>S.43594</b> Spindle Arm LH (Swept Back Axle)	180327M91	<b>TE20, TEA20, TED20, TEF20, 35, 35X, 133, 140, 145, 835</b>
24	<b>S.43595</b> Spindle Arm RH (Swept Back Axle)	180326M91	<b>TE20, TEA20, TED20, TEF20, 35, 35X, 133, 140, 145, 835</b>
25	<b>S.16333</b> Dust Cover	897232M1	<b>(35 368616&gt;), 135, 148</b>

MF02

	Description	OEM Ref:	Applications
1	<b>S.41863</b> Steering Arm	180350M1	<b>(135, 148, 230, 240, 250 Manual Steering Only)</b>
2	<b>S.2922</b> Woodruff Key $\frac{5}{16}$ " x $1 \frac{1}{4}$ " Din No. 6888	350355X1	<b>135, 148, 230, 240, 250, (340, 342, 350, 352, 355, 410, 415, 420 2WD Only)</b>
3	<b>S.1075</b> Bolt - $\frac{7}{16}$ " x $2 \frac{3}{4}$ " UNF Din No. 931. Grade 8.8	353572X1	<b>(135, 148, 230, 240, 250 Manual Steering Only)</b>
3	<b>S.51862</b> Bolt - $\frac{5}{8}$ " x $3 \frac{1}{4}$ " UNF Din No. 931. Grade 8.8	353625X1, 377170M1	<b>(135, 148, 230, 240, 250 Power Steering Only)</b>
4	<b>S.1072</b> Hexagon Nut - $\frac{7}{16}$ " UNF Din No. 934. Grade 8.8	353426X1	<b>(135, 148, 230, 240, 250 Manual Steering Only)</b>
4	<b>S.1002</b> Hexagon Nut - $\frac{5}{8}$ " UNF Din No. 934. Grade 8.8	353427X1	<b>(340, 342, 350, 352, 355 2WD Only)</b>
5	<b>S.1067</b> Spring Washer - I/D: 11mm ( $\frac{7}{16}$ " ) Din No. 127B Plated	353432X1	<b>(135, 148, 230, 240, 250 Manual Steering Only)</b>
5	<b>S.1033</b> Spring Washer - I/D: $\frac{5}{8}$ " Din No. 127B Plated	353433X1	<b>(340, 342, 350, 352, 355 2WD Only)</b>
6	<b>S.40220</b> Dust Seal (1 $\frac{1}{4}$ " )	180355M2	<b>(135, 148, 230, 240, 250 Manual Steering Only)</b>
6	<b>S.40221</b> Dust Seal - Felt (1 $\frac{1}{2}$ " )	183021M1, 183021M2, 196079M1	<b>(340, 342, 350, 352, 355, 410, 415, 420 2WD Only)</b>
7	<b>S.5932</b> Bush - (1 $\frac{1}{4}$ " ) (Unfinished)	180345M1	<b>(135, 148, 230, 240, 250 Manual Steering Only)</b>
7	<b>S.42244</b> Bush - (1 $\frac{1}{4}$ " ) (Finished)	180345M1	<b>(135, 148, 230, 240, 250 Manual Steering Only)</b>
7	<b>S.5933</b> Bush (1 $\frac{1}{2}$ " ) (Unfinished)	183086M1	<b>(340, 342, 350, 352, 355 2WD Only)</b>
7	<b>S.42039</b> Bush (32mm)	963533M1	<b>(135, 140, 145, 148, 152, 155, 158 French Built Models Only)</b>
8	<b>S.40226</b> Bearing - Thrust	018560X, 195175M1	<b>(135, 148, 230, 240, 250 Manual Steering Only)</b>
8	<b>S.40227</b> Bearing - Thrust (1 $\frac{1}{2}$ " )	196167M1	<b>550</b>
9	<b>S.42040</b> Spindle Repair Kit (Contains: 4 x S.42039, 2 x S.40220, 2 x S.40226)	-	<b>(135, 140, 145, 148, 152, 155, 158 French Built Models Only)</b>
9	<b>S.40217</b> Spindle Repair Kit (Contains: 4 x S.5932, 2 x S.40220, 2 x S.40226)	-	<b>(135, 148, 230, 240, 250 Manual Steering Only)</b>
10	<b>S.821</b> Grease Nipple ( $\frac{1}{4}$ " UNF / 0°)	200191M1	<b>135, 148, 230, 240, 250, (340, 342, 350, 352, 355 2WD Only)</b>
11	<b>S.1002b</b> Hexagon Nut ( $\frac{5}{8}$ " ) UNF Din No. 934. Grade 8.8	353427X1	<b>135, 148, 230, 240, 250, (340, 342, 350, 352, 355 2WD Only)</b>
12	<b>S.4979</b> Flat Washer ( $\frac{5}{8}$ " ) Din No. 125A Plated. Supercedes S.6839	353774X1	<b>135, 148, 230, 240, 250</b>
13	<b>S.4913</b> Bolt - $\frac{5}{8}$ " x 3" UNF Din No. 931. Grade 8.8	353623X1, 377170M1	<b>(135 (&gt;140128), (148 (&gt;604669) Manual Steering Only)</b>
13	<b>S.40111</b> Bolt & Nut Assembly - Nyloc Nut ( $\frac{5}{8}$ " x $3 \frac{1}{2}$ " UNF)	353623X1 +, 376267X1	<b>(135 (&gt;140128), (148 (&gt;604669) Manual Steering Only)</b>
13	<b>S.51862b</b> Bolt - $\frac{5}{8}$ " x $3 \frac{1}{4}$ " UNF Din No. 931. Grade 8.8	353625X1, 377170M1	<b>(135, 148, 230, 240, 250 Power Steering Only)</b>
13	<b>S.4914</b> Bolt $\frac{5}{8}$ " x 4" UNF Din No. 931. Grade 8.8	353632X1	<b>(340, 342, 350, 352, 355 2WD Only)</b>
14	<b>S.3405</b> Bush - Axle Pin (42 x 48.5mm)	1660114M2	<b>133, 135 (140129&gt;), 145, 148 (&gt;604669), 152, 155, 158, 230, 235, 240, 250, 255, 260, 550</b>
14	<b>S.41758</b> Bush - Axle Pin (52.5 x 47.7 x 35mm)	1660457M2	<b>231, 240, 245, 250, 253, 360, 362, 550</b>
15	<b>S.3404</b> Axle Pin Ø41.8mm	1869633M1, 1869634M1	<b>135, (145, 152, 158 C292015&gt;), 148, (230, 240 P33140&gt;), 250</b>
16	<b>S.41421</b> Screw - Axle Pin Retainer (UNC)	1862267M1	<b>135 (UK&gt;434523), 148 (&gt;605538), 165 (ND 569139&gt;), (165, 168 HD), (175, 178 734326&gt;), 265, 265S, 275, 285S, 290, 565, 575, 590</b>
16	<b>S.43283</b> Screw - Axle Pin Retainer (UNF) Use S.1837 Nut	1867906M1	<b>135 (UK 434524&gt;), (133, 135, 140 France), 145 MKIII, 145V, 148 (605539&gt;), 152, 152MKIII, 152F, (155, 158&gt;C292015), 158MKIII, 158F, 158S, 158V, 165 (ND 569139&gt;), 230 (Manual&gt;P33139), (230 P/S), 235, 245, (240 Manual&gt;P33139), (240 P/S), 240S, (250 UK P/S), (250 France), (255 Manual), (255 P/S Z173013&gt;), (260 Standard Clearance)</b>
16	<b>S.107224</b> Axle Pivot Securing Pin	033992P1	<b>415</b>
17	<b>S.1829</b> Hexagon Nut $\frac{1}{2}$ " (UNC) Din No. 934. Grade 8.8	375111X1	<b>135 (140129&gt;), 148 (&gt;604669)</b>
18	<b>S.2889</b> External Clip - 41mm (1 $\frac{5}{8}$ " )	1440528X1	<b>135 (140129&gt;), 148 (&gt;604669)</b>

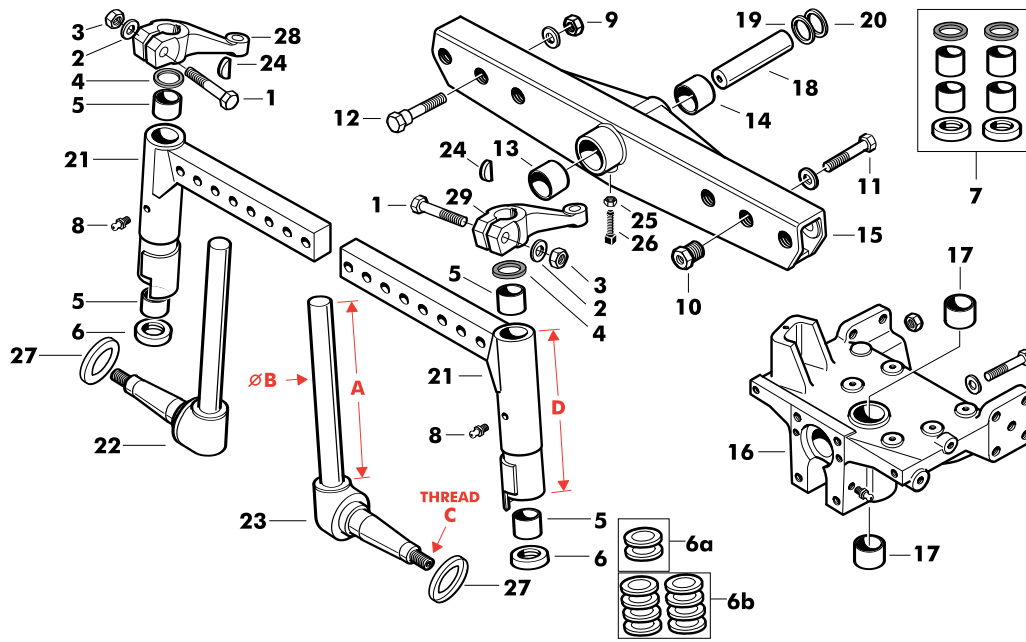


	Description	OEM Ref:	Applications
19	<b>S.820</b> Grease Nipple (1/8" BSP / 0°)	365572X1	<b>135</b> (140129>), <b>148</b> (>604669)
20	<b>S.40099</b> Axle Support	1688611M91	<b>135</b> (140129>), <b>148</b> (>604669), <b>(230, 240, 250 2WD Only)</b>
21	<b>S.40101</b> Spindle Arm (LH) (Spindle Sleeve 8 3/4" - 222mm)	888304M92	<b>135</b> (140129>), <b>148</b> (>604669), <b>(230, 240, 250 2WD Only)</b>
22	<b>S.40102</b> Spindle Arm (RH) (Spindle Sleeve 8 3/4" - 222mm)	888300M92	<b>135</b> (140129>), <b>148</b> (>604669), <b>(230, 240, 250 2WD Only)</b>
23	<b>S.15986</b> Spindle LH (Length 11" Ø 1 1/4" Thread 3/4" UNF) Inner bearing Ø 1.373"	897237M94	<b>135</b> (140129>), <b>148</b> (>604669), <b>(230, 240, 250 2WD Only)</b>
23	<b>S.42038</b> Spindle LH (Length 280mm, Ø 32mm, Thread 18mm)	964322M91	<b>(133, 135, 140, 145, 148, 152, 155, 158 French built models only - Standard &amp; Narrow, but excluding Vineyard models)</b>
23	<b>S.75158</b> Spindle LH (Length 440mm, Ø 37.97mm)	3027622M91	<b>231</b> (with flat top fenders)
23	<b>S.15994</b> Spindle LH (Length 11 5/8" Ø 1 1/2" Thread 3/4" UNF)	897231M94	<b>(240, 250 Heavy Duty), Industrial 20B, 20D, 20E</b>
24	<b>S.15987</b> Spindle RH (Length 11" Ø 1 1/4" Thread 3/4" UNF) Inner bearing Ø 1.373"	897236M94	<b>135</b> (140129>), <b>148</b> (>604669), <b>(230, 240, 250 2WD Only)</b>
24	<b>S.42037</b> Spindle RH (Length 280mm, Ø 32mm, Thread 18mm)	964321M91	<b>(133, 135, 140, 145, 148, 152, 155, 158 French built models only - Standard &amp; Narrow, but excluding Vineyard models)</b>
24	<b>S.75157</b> Spindle RH (Length 440mm, Ø 37.97mm)	3027621M91	<b>231</b> (with flat top fenders)
24	<b>S.15995</b> Spindle RH (Length 11 5/8" Ø 1 1/2" Thread 3/4" UNF)	897230M94	<b>(240, 250 Heavy Duty), Industrial 20B, 20D, 20E</b>
25	<b>S.42106</b> Axle Beam - Straight Axle HD	3599722M91	<b>135</b> (HD Straight Axle), <b>148, 152, 230, 240</b>
26	<b>S.74875</b> Axle Pin (Length 235mm, Threaded Internally, Circlip Grooved, Retaining Peg holes 106mm & 181mm)	909911M1, 1869630M1, 1670939M1	<b>133, 135 Export, 135V, 140 Super, (135 North America-Vineyard), (145, 148, 152, 158 &gt; C292014), (230, 240 &gt;P33139), (235, 245 &gt;Z173012), 250, 255 (Z173013&gt;)</b>
26	<b>S.107225</b> Axle Pivot Pin	042735P1	<b>415</b>
27	<b>S.16333</b> Dust Cover	897232M1	<b>(135 140129&gt;), (148&gt;604669), (230, 240, 250 2WD Only)</b>
28	<b>S.41545</b> Shim Washer (+0.020") Front	898018M1, 898018M2	<b>415</b>
28	<b>S.41546</b> Shim Washer (+0.030") Front	898019M1	<b>415</b>
28	<b>S.41547</b> Shim Washer (+0.040") Front	898020M1	<b>415</b>

# Front Axle & Related Components (4Cyl Later Models)

For complete product range...

MF02



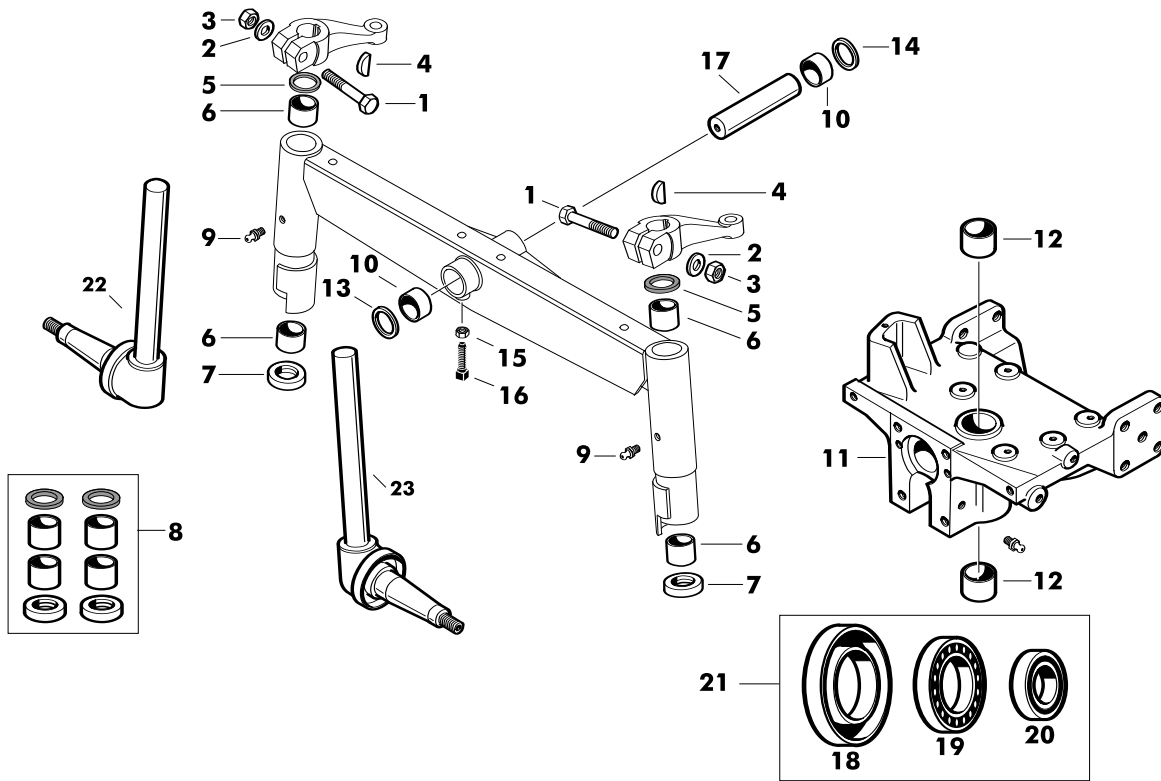
	Description	OEM Ref:	Applications
1	<b>S.51862</b> Bolt - 5/8" x 3 1/4" UNF Din No. 931. Grade 8.8	353625X1, 377170M1	<b>65, 165, 168, 175, 178, 185, 188, 265, 275, 285, 290, 565, 575, 590, 765</b>
2	<b>S.1033</b> Spring Washer - I/D: 5/8" Din No. 127B Plated	353433X1	<b>65, 165, 168, 175, 178, 185, 188, 265, 275, 285, 290, (425, 435, 440, 445, 460 2WD), 565, 575, 590, 765</b>
3	<b>S.1002</b> Hexagon Nut - 5/8" UNF Din No. 934. Grade 8.8	353427X1	<b>65, 165, 168, 175, 178, 185, 188, 265, 275, 285, 290, (425, 435, 440, 445, 460 2WD), 565, 575, 590, 765</b>
4	<b>S.40220</b> Dust Seal (1 1/4")	180355M2	<b>(65, 765 Normal Duty)</b>
4	<b>S.40221</b> Dust Seal - Felt (1 1/2")	183021M1, 183021M2, 196079M1	<b>(65, 765 Heavy Duty), 165, 168, 175, 178, 185, 188, 265, (265, 275, 283, 290, 292 BRAZIL), 275, 285, 290, 360, 362, 362N, 425 2WD (&gt;238493), 435 (2WD &gt;236860), 440 (2WD &gt;236369), 445 (2WD &gt;BS035008), 460 (2WD &gt;239117), 565, 575, 590, 765, 3050, 3060, 3065, (3070, 3075, 3080, 3085, 3090, 3095 Normal Duty)</b>
4	<b>S.41570</b> Dust Seal - Felt	882262M1	<b>365, 375, 390, 390T, 398, 399</b>
5	<b>S.40223</b> Bush (1 1/4")	196060M1	<b>(65, 765 Normal Duty)</b>
5	<b>S.5933</b> Bush (1 1/2") (Unfinished)	183086M1	<b>(65, 765 Heavy Duty), 165, 168, 175, 178, 185, 188, 265, 275, 285, 290, 360, 362, 362N, 365, 375, 390, 390T, 398, 399, 425, 435, 440, 445, 460, 550, 560, 565, 575, 590, 675, 690</b>
5	<b>S.40225</b> Bush (1 1/2") (Finished)	183086M1	<b>(65, 765 Heavy Duty), 165, 168, 175, 178, 185, 188, 265, 275, 285, 290, 360, 362, 362N, 365, 375, 390, 390T, 398, 399, 425, 435, 440, 445, 460, 550, 560, 565, 575, 590, 675, 690</b>
5	<b>S.41484</b> Bush (1 3/4")	882327M1	<b>365, 375, 390, 390T, 398, 399, 4225, 4235, 4240, 4245, 4255, 4260, 4265, 4270, 4325, 4335, 4345, 4355, 4360, 4365, 4370, 5335, 5340, 5355, 5365, 5425, 5435, 5445, 5455, 5460, 6445, 6455, 6460, 6470</b>
6	<b>S.40226</b> Bearing - Thrust	018560X, 195175M1	<b>(65, 765 Normal Duty)</b>
6	<b>S.40227</b> Bearing - Thrust (1 1/2")	196167M1	<b>(65, 765 Heavy Duty), 165, 168, 175, 178, 185, 188, 260, 261, 265, 268, 275, 285, 290, 375E, 560, 565, 575, 590, 675, 690, 698, 698T, 699, 2625, 2635</b>
6	<b>S.41740</b> Bearing - Thrust (1 3/4")	832961M1	<b>365, 375, 390, 390T, 398, 399</b>
6	<b>S.107227</b> Thrust Washer Upper	049731P1	<b>425, 435, 440, 445, 460</b>
6	<b>S.107226</b> Thrust Washer Lower	049730P1	<b>425, 435, 440, 445, 460</b>
6a	<b>S.43281</b> Thrust Washer Kit - Axle Spindle 2 piece (one side)	1696721M1+, 1696722M1	<b>365, 375, 390, 390T, 398, 399, 4225, 4235, 4240, 4245, 4255, 4260, 4265, 4270, 4325, 4335, 4345, 4355, 4360, 4365, 4370, 5335, 5340, 5355, 5365, 5425, 5435</b>
6b	<b>S.43292</b> Thrust Washer Kit - Axle Spindle Full anti wobble kit (both sides)	1810572M94	<b>165, 168, 175, 178, 185, 188, 265, 275, 285, 290, 575, 590, 675, 690, 698, 698T, 699</b>
7	<b>S.40218</b> Spindle Repair Kit (Contains: 2 x S.40220, 4 x S.40223, 2 x S.40226)	-	<b>(65, 765 Normal Duty)</b>
7	<b>S.40219</b> Spindle Repair Kit (Contains: 2 x S.40221, 4 x S.5933, 2 x S.40227)	1810862M91, 183021M2, 183086M1, 196167M1	<b>(65, 765 Heavy Duty), 165, 168, 175, 178, 185, 188, 265, 275, 285, 290, 360, 362, 362N, 565, 575, 590</b>
7	<b>S.41956</b> Spindle Repair Kit (Contains: 2 x S.41570, 4 x S.41740, 2 x S.41484)	-	<b>365, 375, 390, 390T, 398, 399</b>
7	<b>S.43295</b> Spindle Repair Kit - Single (Contains: 1 x S.43281, 1 x S.43282, 2 x S.41484, 2 x S.41570)	-	<b>365, 375, 390, 390T, 396, 398, (399 1006.6), (399 A6.354.4)</b>



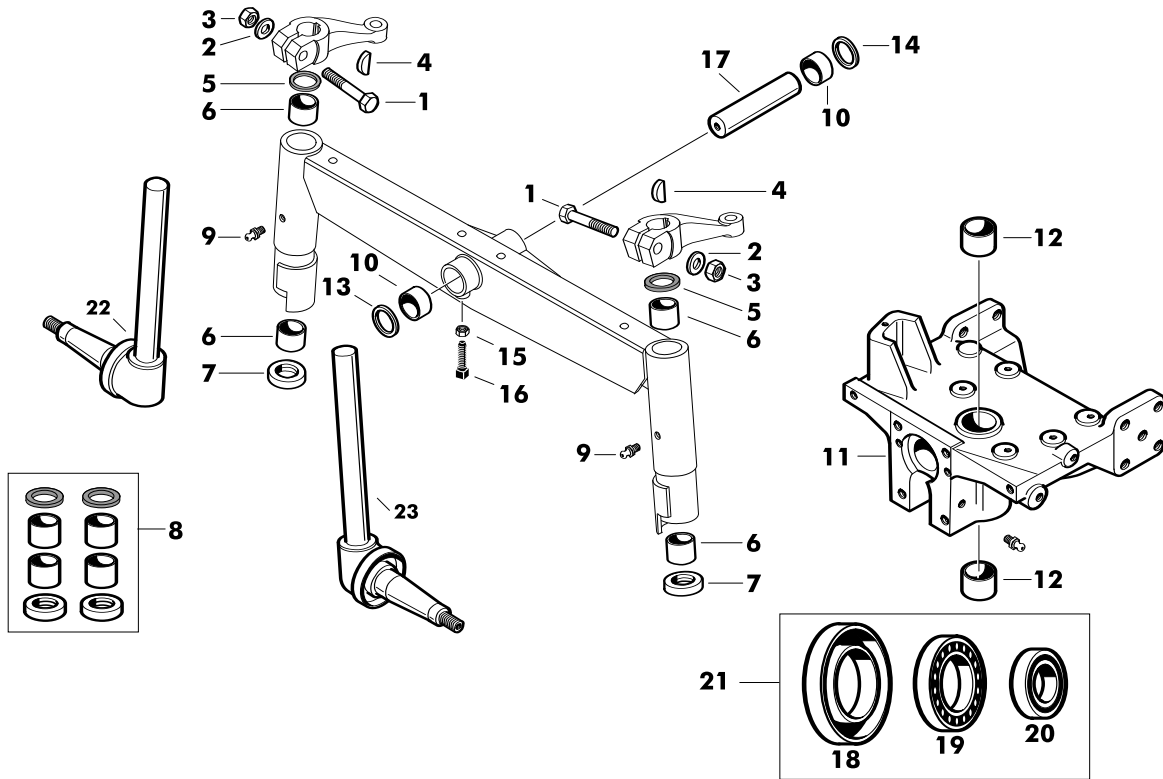
	Description	OEM Ref:	Applications
8	<b>S.821</b> Grease Nipple (1/4" UNF / 0°)	200191M1	<b>(65, 765 Heavy Duty), 165, 168, 175, 178, 185, 188, 265, 275, 285, 290, (425, 435, 440, 445, 460 2WD), 565, 575, 590, 675, 690, 698, 698T, 699</b>
9	<b>S.1014</b> Hexagon Nut (3/4" UNF) Din No. 934. Grade 8.8	353435X1	<b>(65, 165, 168, 175, 178, 185, 188, 265, 275, 565, 575, 765 Normal Duty)</b>
10	<b>S.16030</b> Nut - Front Axle	894060M3	<b>(65, 165, 168, 175, 178, 185, 188, 265, 275, 565, 575, 765 Heavy Duty), 290, 590, 675, 690</b>
11	<b>S.40113</b> Bolt - Front Axle (3/4"x 3 9/16" UNF)	894061M1	<b>(65, 165, 168, 175, 178, 185, 188, 265, 275, 565, 575, 765 Heavy Duty), 290, 590, 675, 690</b>
11	<b>S.4914</b> Bolt (5/8" x 4" UNF) Din No. 931. Grade 8.8	353632X1	<b>360, 362, 362N</b>
11	<b>S.8207</b> Bolt (M20 x 90mm) Din No. 931. Grade 8.8 Coarse	391891X1	<b>365, 375, 390, 390T</b>
11	<b>S.4916</b> Bolt (3/4" x 4" UNF) Din No. 931. Grade 8.8	353934X1	<b>(425, 435, 440, 445, 460 2WD), (265 Brazil), (275 Brazil), (283 Brazil), (290 Brazil), (292 Brazil)</b>
12	<b>S.15974</b> Bolt - Front Axle	182501M1	<b>(65, 165, 168, 175, 178, 185, 188, 265, 275, 565, 575, 765 Normal Duty)</b>
13	<b>S.57746</b> Bush - Axle Pivot Pin	196049M1	<b>65, 165, (175, 178 Normal &amp; Heavy Duty &gt;724936), 765, 865, Super 90</b>
14	<b>S.3408</b> Bush - Front & Rear (Width = 51mm, I/D = 47.6mm, O/D = 52.66mm)	897712M2	<b>65, 165, 168, (175, 178 724937&gt;), 185, 188, 265, 275, 285, 290, 350, 355, 360, 365, 375, 390, 398, 399, 565, 575, 590, 675, 690, Industrial 30D</b>
14	<b>S.42218</b> Bush - Rear only	196050M2	<b>65, 765</b>
15	<b>S.41868</b> Front Axle Beam - Heavy Duty	897625M93	<b>165, 168, (175, 178 724937&gt;), 185, 188, 265, 275, 285, 290, 565, 575, 590, 675, 690, Industrial 30D</b>
15	<b>S.107251</b> Axle Beam	3146788M93	<b>(425, 435, 440, 445, 460 2WD), (265 Brazil), (275 Brazil), (283 Brazil), (290 Brazil), (292 Brazil)</b>
16	<b>S.40100</b> Axle Support	1870287M95, 1684301M91	<b>165, 168, (175, 178 724937&gt;), 185, 188, 265, 275, 285, 290, 565, 575, 590, 675, 690, 698, 698T, 699, Industrial 30D</b>
17	<b>S.40117</b> Bush - Steering Shaft	196057M1	<b>65, 765, (175, 178&gt;724936)</b>
17	<b>S.40119</b> Bush - Steering Shaft (1 7/8")	897235M1	<b>165, 168, (175, 178 724937&gt;), 185, 188, 265, 275, 285, 290, 375E, 390E, 425, 435, 440, 445, 565, 575, 590, 675, 690</b>
18	<b>S.3407</b> Axle Pin	898016M1, 1684285M1	<b>165, 168, (175, 178 724937&gt;), 185, 188, 265, 275, 285, 290, 298, 565, 575, 590, 675, 690, 698, 698T, 699</b>
18	<b>S.43297</b> Axle Pin	1695081M1	<b>(365, 375, 390, 390T Heavy Duty), (396&gt;11/94), (398 Heavy Duty), (399 1006.6 Engine&gt;11/94), (399 A6.354.4 Engine Heavy Duty)</b>
18	<b>S.43748</b> Axle Pin	033991P1	<b>(425, 435, 440, 445, 460 2WD)</b>
19	<b>S.41544</b> Shim Washer (0.108") Rear	898017M1, 898017M2	<b>165, 168, (175, 178 724937&gt;), 185, 188, 250 (Brazil), 265, 265 (Brazil), 275, 275 (Brazil), 285, 290, 298, 360, 362, 362N, 365, 375, 390, 398, 399, 425 (2WD &gt;238493), 435 (2WD &gt;236860), 440 (2WD &gt;236369), 445 (2WD &gt;B5035008), 460 (2WD &gt;239117), 481 (Japan Only), (283, 290, 292 Brazil), 565, 575, 590, 675, 690, 698, 698T, 699, 4215, 4220, 4225, 4235, 4240, 4245, 4255, 4265, 4315, 4320, 4325, 4335, 4345, 4355</b>
20	<b>S.41545</b> Shim Washer (+0.020") Front	898018M1, 898018M2	
20	<b>S.41546</b> Shim Washer (+0.030") Front	898019M1	
20	<b>S.41547</b> Shim Washer (+0.040") Front	898020M1	
21	<b>S.40103</b> Spindle Arm LH/RH (Spindle Sleeve 11 1/4" - 285mm) Heavy Duty	897471M91	<b>(165&gt;508596 - Heavy Duty/High Clearance), (168 Heavy Duty), (175, 178 724937&gt; Heavy Duty), (265 Heavy Duty/High Clearance), (275, 290 Heavy Duty)</b>
21	<b>S.107253</b> Arm Kit RH	3148818M91	<b>(425, 435, 440, 445, 460 2WD)</b>
21a	<b>S.107254</b> Arm Kit LH	3148819M91	<b>(425, 435, 440, 445, 460 2WD)</b>
22	<b>S.15989</b> Spindle RH (Length 11 5/8" Ø 1 1/4" Thread 3/4" UNF)	182559M92, 897569M91	<b>(65, 765 Normal Duty Standard Clearance &gt;601684)</b>
22	<b>S.74773</b> Spindle RH (A=295mm; B=31.64mm; C=3/4" UNF)	897224M93	<b>(65 Low Clearance 601685&gt;)</b>
22	<b>S.15991</b> Spindle RH (Length 17 31/32" Ø 1 1/4" Thread 3/4" UNF)	182557M92, 897571M91	<b>(65, 765 Normal Duty - High Clearance)</b>
22	<b>S.15993</b> Spindle RH (Length 11 15/16" Ø 1 1/2" Thread 3/4" UNF)	186164M94, 880291M91	<b>(65, 165, 168, 265, 275 Standard Clearance / Normal Duty), 550, 565</b>
22	<b>S.15995</b> Spindle RH (Length 11 5/8" Ø 1 1/2" Thread 3/4" UNF)	897230M94	<b>(165, 168, 265, 275 Normal Duty), 550, 565 (Normal Duty / Standard Clearance)</b>
22	<b>S.15997</b> Spindle RH (Length 10 1/8" Ø 1 1/2" Thread 1 1/4" UNF)	898221M95	<b>(165, 265, 275 Heavy Duty), (565 Heavy Duty/Standard Clearance)</b>
22	<b>S.74911</b> Spindle RH (A=381mm; B=37.94mm; C=1 1/4" UNF)	897385M92	<b>(175, 178&gt;709438 Heavy Duty)</b>
22	<b>S.15999</b> Spindle RH (Length 13 3/16" Ø 1 1/2" Thread 1 1/4" UNF)	897475M95	<b>(165&gt;508596 - Heavy Duty/High Clearance), (175, 178 724936&gt;) (168, 185, 188, 265, 275, 285, 290, 575, 590, 675, 690 Heavy Duty/Standard Clearance)</b>
22	<b>S.17006</b> Spindle RH (Length 15 15/16" Ø 1 1/2" Thread 1 1/4" UNF)	883569M1, 883569M93	<b>(165, 175, 265 Heavy Duty/High Clearance)</b>

MF02

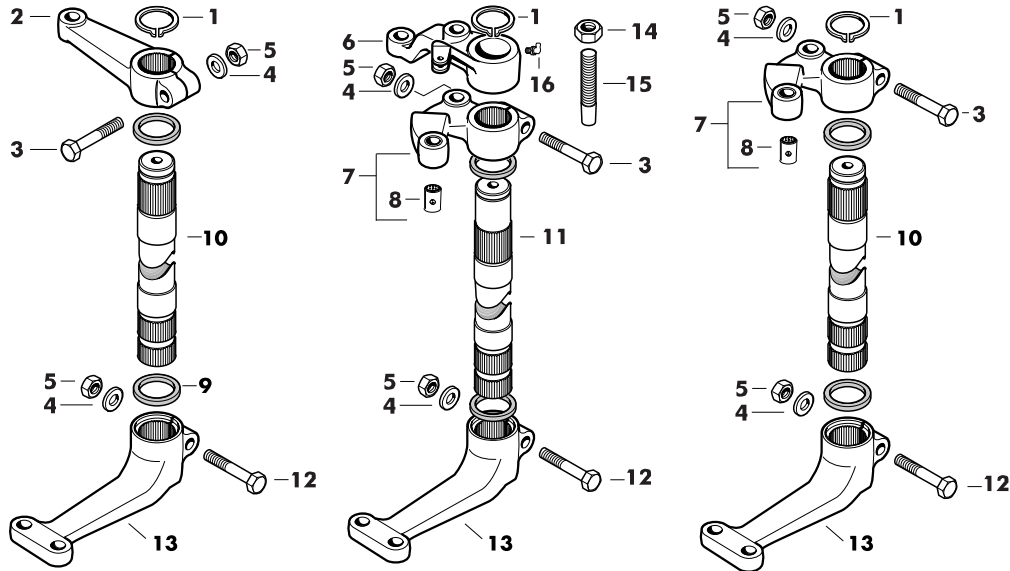
	Description	OEM Ref:	Applications
22	<b>S.60070</b> Spindle LH/RH (Length 12 3/16" Ø1.5" Thread 3/4" x 16TPI UNF)	508571M92	<b>(165, 175, 255, 265, 275, 285 USA Standard Clearance Models only)</b>
22	<b>S.16001</b> Spindle RH (Length 13 7/8" Ø 1 1/2" Thread 3/4" UNF)	897456M93, 897456M96	<b>(175, 178&gt;724936 - Normal Duty)</b>
22	<b>S.42542</b> Spindle RH (Length 341.3mm Ø 37.98mm, Thread 1 1/4" UNF)	1675753M92	<b>298, 690, 698, 698T, 699, 2625, 2645, 2685, 2725</b>
22	<b>S.60110</b> Spindle RH (Length 12 11/16" Ø 1 3/4" Thread 1 1/4" UNF)	3697027M91	<b>365, 375, 390, 390T, 398, 399</b>
22	<b>S.43737</b> Spindle RH (Length TBA, Ø TBA Thread 1 1/4" UNF)	3146770M91, 897922M1	<b>425, 435, 440, 445, 460</b>
22	<b>S.40212</b> Spindle LH/RH (Length 405mm Ø 1.5" Thread 1.25 x 12TPI)	906186M95	<b>592, 595, 1080</b>
22	<b>S.75163</b> Spindle RH (Length 298.5mm; Ø 37.97mm; Thread 1 1/4" UNF)	3384054M11	<b>3050, 3060, 3065, 3075, 6110, 6120, 6130, 6140, 6150</b>
23	<b>S.15988</b> Spindle LH (Length 11 5/8" Ø 1 1/4" Thread 3/4" UNF)	182560M92, 897570M91	<b>(65, 765 Normal Duty - Standard Clearance)</b>
23	<b>S.74772</b> Spindle LH (Length 295mm Ø 31.64mm Thread 3/4" UNF)	897225M93	<b>(65 Low Clearance 601685&gt;)</b>
23	<b>S.15990</b> Spindle LH (Length 17 31/32" Ø 1 1/4" Thread 3/4" UNF)	182558M92, 897572M91	<b>(65, 765 Normal Duty - High Clearance)</b>
23	<b>S.15992</b> Spindle LH (Length 11 15/16" Ø 1 1/2" Thread 3/4" UNF)	186165M94, 880292M91	<b>(65, 765 Heavy Duty - Standard Clearance) 165, 168, 265, (275 Standard Clearance / Normal Duty), 550, 565</b>
23	<b>S.15994</b> Spindle LH (Length 11 5/8" Ø 1 1/2" Thread 3/4" UNF)	897231M94	<b>(165, 168, 265, 275 Normal Duty), (550, 565 Normal Duty / Standard Clearance)</b>
23	<b>S.15996</b> Spindle LH (Length 10 1/8" Ø 1 1/2" Thread 1 1/4" UNF)	898222M95	<b>(165, 265, 275 Heavy Duty), (565 Heavy Duty/ Standard Duty)</b>
23	<b>S.74910</b> Spindle LH (Length 381mm Ø 37.97mm Thread 1 1/4" UNF)	897386M92	<b>(175, 178&gt;709438 Heavy Duty)</b>
23	<b>S.15998</b> Spindle LH (Length 13 3/16" Ø 1 1/2" Thread 1 1/4" UNF)	897476M95	<b>(165&gt;508596 - Heavy Duty/High Clearance), (175, 178 724936&gt;), (168, 185, 188, 265, 275, 285, 290, 575, 590, 675, 690 Heavy Duty/Standard Clearance)</b>
23	<b>S.17005</b> Spindle LH (Length 15 15/16" Ø 1 1/2" Thread 1 1/4" UNF)	883570M93	<b>(165, 175, 265 Heavy Duty/High Clearance)</b>
23	<b>S.60070</b> Spindle LH/RH (Length 12 3/16" Ø1.5" Thread 3/4" x 16TPI UNF)	508571M92	<b>(165, 175, 255, 265, 275, 285 USA Standard Clearance Models only)</b>
23	<b>S.16000</b> Spindle LH (Length 13 7/8" Ø 1 1/2" Thread 3/4" UNF)	897457M93, 897457M96	<b>(175, 178&gt;724936 - Normal Duty)</b>
23	<b>S.42543</b> Spindle LH (Length 341.3mm, Ø 37.98mm, Thread 1 1/4" UNF)	1675754M92	<b>298, 690, 698, 698T, 699, 2625, 2645, 2685, 2725</b>
23	<b>S.60109</b> Spindle LH (Length 12 11/16" Ø 1 3/4" Thread 1 1/4" UNF)	3697028M91	<b>365, 375, 390, 390T, 398, 399</b>
22	<b>S.43738</b> Spindle LH (Length TBA Ø TBA Thread 1 1/4" UNF)	3146771M91	<b>425, 435, 440, 445, 460</b>
23	<b>S.40212</b> Spindle LH/RH (Length 405mm Ø 1.5" Thread 1.25 x 12TPI)	906186M95	<b>592, 595, 1080</b>
23	<b>S.75164</b> Spindle LH (Length 298.5mm Ø 37.97mm Thread 1 1/4" UNF)	3384053M11	<b>3050, 3060, 3065, 3075, 6110, 6120, 6130, 6140, 6150</b>
24	<b>S.2922</b> Woodruff Key 5/16" x 1 1/4" Din No. 6888	350355X1	<b>65, Super 90, 122, 130, 165, 168, 175, 178, 188, 260, 261, 265, 268, 270, 275, 180, 185, 290, 360, 362, 362N, 372N, 425, 430, 435, 440, 445, 560, 565, 575, 590, 592, 595, 675, 690, 865</b>
25	<b>S.1829</b> Hexagon Nut 1/2" UNC Din No. 934. Grade 8.8	375111X1	<b>165, 168 (175, 178 724937&gt;), 185, 188, 265, 275, 285, 290, 565, 575, 590, 675, 690, Industrial 30D</b>
26	<b>S.41421</b> Screw - Axle Pin Retainer UNC	1862267M1	<b>165, 168 (175, 178 724937&gt;), 185, 188, 265, 275, 285, 290, 565, 575, 590, 675, 690, Industrial 30D</b>
27	<b>S.16333</b> Dust Cover	897232M1	<b>(165, 168, 265, 268, 275 Normal Duty), (550, 565 Normal Duty/Standard Clearance)</b>
27	<b>S.16332</b> Dust Cover	898350M1	<b>165, 168, 185, 188, 175, 178, 185, 188, 253, (260 India), 261, 263, 265, 265S, 268, 270, 275, 280, 285, 290, 350, 352, 355, 360, 362N, 365, 372N, 375, 375E, 390, 390E, 390T, 396, 398, (399 1006.6), (399 A6.354.4), 565, 575, 590, 592, 595, 675, 690, 1080, 4215, 4220, 4225, 4235, 4240, 4245, 4255, 4260, 4265, 4270, 4315, 4320, 4325, 4335, 4345, 4355, 4360, 4370, 4365, 5335, 5340, 5355, 5360, 5365, 5425, 5435, 5445, 5455, 5460, 6445, 6455, 6460, 6470</b>
27	<b>S.16599</b> Dust Cover	897460M1	<b>(175, 178 Heavy Duty)</b>
28	<b>S.43139</b> Steering Arm RH	897921M1, 898342M1	<b>165, 168, 175, 175S, 178, 185, 188, 261, 265, 275, 285, 290, 375E, 390E, 425, 435, 440, 445, 460, 465, 575, 590, 675, 690</b>
29	<b>S.43137</b> Steering Arm LH	897922M1, 898343M1	<b>165, 168, 175, 175S, 178, 185, 188, 261, 265, 275, 285, 290, 375E, 390E, 425, 435, 440, 445, 460, 465, 575, 590, 675, 690</b>
30	<b>S.107224</b> Axle Pivot Securing Pin	033992P1	<b>(425, 435, 440, 445, 460 2WD)</b>
31	<b>S.841</b> Grease Nipple (1/4" UNF / 45°)	29958X	<b>(425, 435, 440, 445, 460 2WD)</b>



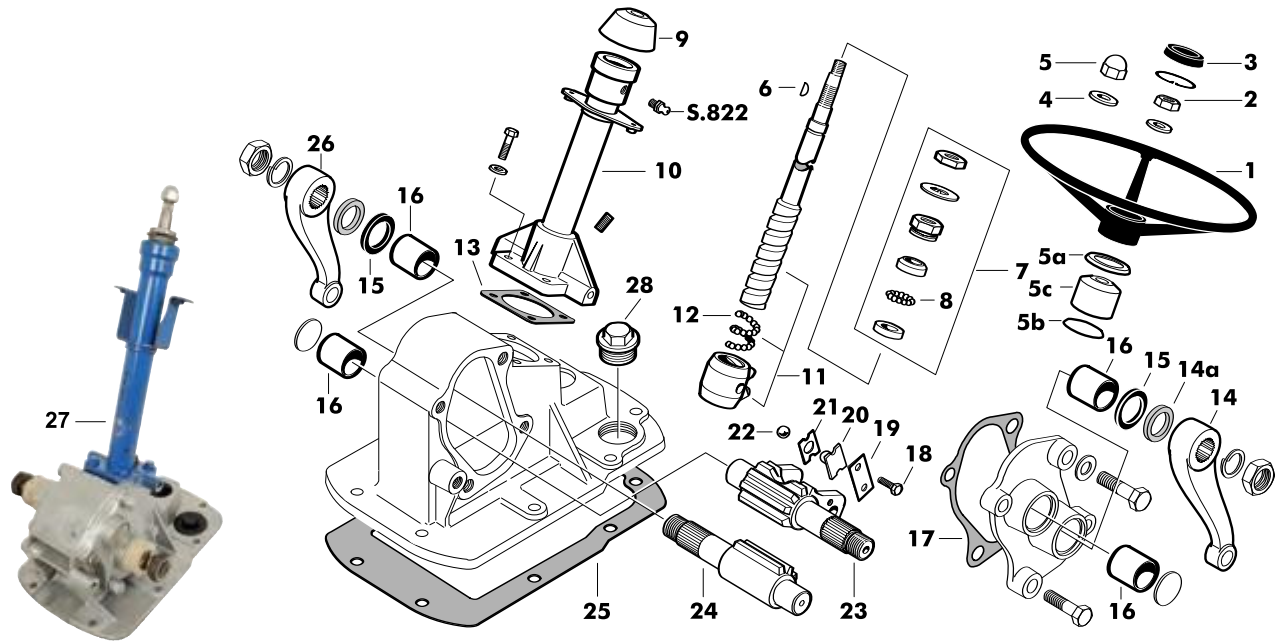
	Description	OEM Ref:	Applications
1	<b>S.51862</b> Bolt - 5/8" x 3 1/4" UNF Din No. 931. Grade 8.8	353625X1, 377170M1	<b>20B, 20D, 50, 50B, 50B MKII, 50D, 50E, 50E/EX, 50F, 50H/HX, 60H, 2135</b>
2	<b>S.1033</b> Spring Washer - I/D: 16mm (5/8") Din No. 127B Plated	353433X1	Industrial <b>50, 50B, 50B MKIII, 50D, 50E/EX, 50H/HX, 60H</b>
3	<b>S.1002</b> Hexagon Nut - 5/8" UNF Din No. 934. Grade 8.8	353427X1	Industrial <b>50, 50B, 50B MKIII, 50D, 50E/EX, 50H/HX, 60H</b>
4	<b>S.2922</b> Woodruff Key 5/16" x 1 1/4" Din No. 6888	350355X1	<b>20C, 20D, 30B, 30D, 30E, 40B, 50, 50B, 50B MKII, 50D, 50F</b>
5	<b>S.40221</b> Dust Seal - Felt	183021M1 183021M2, 196079M1	Industrial <b>50D, 50E/EX, 50F, 50H/HX, 60H</b>
5	<b>S.41570</b> Dust Seal - Felt	882262M1	<b>50, 50B, 50B MKII, 50D, 50E, 50E/EX, 50F, 50H/HX, 60H</b>
6	<b>S.5933</b> Bush (1 1/2") (Unfinished)	183086M1	<b>20C, 20D, 20F, 30B, 30D, 30E, 30H, (40B&gt;9A326403), 40E</b>
6	<b>S.41484</b> Bush (1 3/4")	882327M1	<b>50, 50B, 50B MKII, 50D, 50E, 50E/EX, 50F, 50H/HX, 60H</b>
7	<b>S.40227</b> Bearing - Thrust (1 1/2")	196167M1	<b>20C, 20D, 20F, 30B, 30D, 30E, 30H, (40B&gt;9A326403), 40E</b>
7	<b>S.41740</b> Bearing - Thrust (1 3/4")	832961M1	<b>(40B 9A326404&gt;), 50, 50A, 50B, 50B MKII, 50C, 50D, 50E, 50E/EX, 50F, 50H/HX"S" Series, 60H, 60H"S" Series</b>
8	<b>S.40219</b> Spindle Repair Kit (Contains: 2 x S.40221, 4 x S.5933, 2 x S.40227)	-	<b>20C, 20D, 20F, 30B, 30D, 30E, 30H, (40B&gt;9A326403), 40E</b>
8	<b>S.41956</b> Spindle Repair Kit (Contains: 2 x S.41570, 4 x S.41740, 2 x S.41484)	-	<b>50, 50B, 50B MKII, 50D, 50E, 50E/EX, 50F, 50H/HX, 60H</b>
9	<b>S.821</b> Grease Nipple (1/4" UNF / 0°)	200191M1	<b>20B, 20D, 20E, 30D, 30E, 40, 2135 (Bolt Type Hub)</b>
10	<b>S.3408</b> Bush - Front & Rear (Width = 51mm, I/D = 47.6mm, O/D = 52.66mm)	897712M2	<b>30D, 50, 50B, 50B MKII, 50D, 50E, 50E/EX, 50F, 50H/HX, 60H</b>
11	<b>S.40100</b> Axle Support	1870287M95, 1684301M91	<b>30D</b>
12	<b>S.40119</b> Bush - Steering Shaft (1 7/8")	897235M1	<b>30D</b>
13	<b>S.41544</b> Shim Washer	898017M1 898017M2	<b>50, 50B, 50B MKII, 50D, 50E, 50E/EX, 50F, 50H/HX, 60H</b>



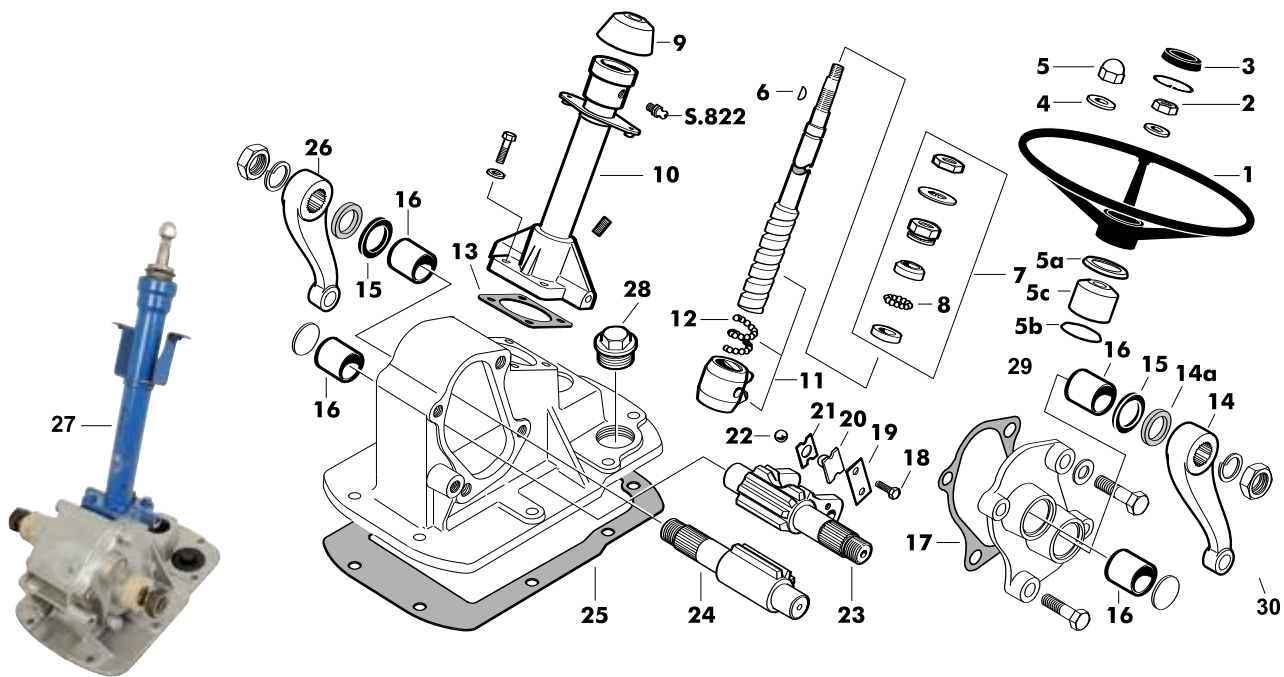
	Description	OEM Ref:	Applications:
14	<b>S.41545</b> Shim Washer	898018M1 898018M2	<b>50, 50B, 50B MKII, 50D, 50E, 50E/EX, 50F, 50H/HX, 60H</b>
14	<b>S.41546</b> Shim Washer	898019M1	<b>50, 50B, 50B MKII, 50D, 50E, 50E/EX, 50F, 50H/HX, 60H</b>
14	<b>S.41547</b> Shim Washer	898020M1	<b>50, 50B, 50B MKII, 50D, 50E, 50E/EX, 50F, 50H/HX, 60H</b>
15	<b>S.1829</b> Hexagon Nut 1/2" UNC Din No. 934. Grade 8.8	375111X1	<b>20B, 30D, 50, 50B, 50B MKII, 50D, 50E, 50E/EX, 50F, 50H/HX, 60H, 2135</b>
16	<b>S.41421</b> Screw - Axle Pin Retainer UNC	1862267M1	<b>20B, 30D, 50, 50B, 50B MKII, 50D, 50E, 50E/EX, 50F, 50H/HX, 60H, 2135</b>
17	<b>S.3404</b> Axle Pin	1869633M1, 1869634M1	<b>30D</b>
17	<b>S.3407</b> Axle Pin	898016M1, 1684285M1	<b>50</b>
17	<b>S.42294</b> Pin - Front Axle	848187M1	<b>50, 50B, 50F, 3303</b>
18	<b>S.42277</b> Seal - Spindle	882261M1	<b>50, 50B, 50F, 50H, 50HX, 60H, 6500H, 6800H</b>
19	<b>S.42279</b> Tapered Roller Bearing - Timken Type (I/D 31.75mm O/D 69.85mm Depth 23.81mm) (Cone Cup = 2580/2523)	645695M91	<b>50, 50B, 50B MKII</b>
20	<b>S.18516</b> Tapered Roller Bearing - Timken Type (I/D 50.80mm O/D 93.26mm Depth 30.30mm)	646620M91, 882554M91	<b>50, 50B, 50B MKII</b>
21	<b>S.42280</b> Wheel Bearing Kit Contains: 1 x S.18516, 1 x S.42277, 1 x S.42279 Contains: 1 x S.18516, 1 x S.42277, 1 x S.42279	3405259M91	<b>50, 50B, 50B MKII</b>
22	<b>S.60106</b> Spindle (LH) (King Pin 9 3/16", King Pin Ø 1 3/4" Thread 1 1/4" UNF) Hardened	882256M92	<b>50, 50B, 50B MKII, 50D, (50E/EX&gt;4/87), 50F, 50H/HX, (60H&gt;4/87)</b>
23	<b>S.60107</b> Spindle (LH) (King Pin 9 3/16", King Pin Ø 1 3/4" Thread 1 1/4" UNF) Hardened	882257M92	<b>50, 50B, 50B MKII, 50D, (50E/EX&gt;4/87), 50F, 50H/HX, (60H&gt;4/87)</b>



	Description	OEM Ref:	Applications
1	<b>S.2892</b> External Circlip - 46mm (1 13/16")	355917X1	<b>165, 168, 175, 178, 185, 188, 265, 275, 285, 290, 375E, 390E, 425, 435, 440, 445, 460, 565, 575, 590, 675, 690</b> Industrial <b>50D, 50E/EX, 50F, 50H/HX, 60H</b>
2	<b>S.40120</b> Steering Arm - Upper (Manual Steering)	898354M1	<b>165, 168, 175, 178, 185, 188, 265, 275, 285, 290, 375E, 390E</b> (Please note: This part may vary with arm used on USA build Tractors)
3	<b>S.4913</b> Bolt - 5/8" x 3" UNF Din No. 931. Grade 8.8	353623X1, 377170M1	<b>165, 168, 175, 178, 185, 188, 265, 275, 285, 290, 375E, 390E, 565, 575, 590, 675, 690</b> Industrial <b>50, 50B, 50B MKIII, 50D, 50E/EX, 50H/HX, 60H</b>
4	<b>S.1033</b> Spring Washer - I/D: 16mm (5/8") Din No. 127B Plated	353433X1	<b>165, 168, 175, 178, 185, 188, 265, 275, 285, 290, 375E, 390E, 565, 575, 590, 675, 690</b> Industrial <b>50, 50B, 50B MKIII, 50D, 50E/EX, 50H/HX, 60H</b>
5	<b>S.1002</b> Hexagon Nut - 5/8" UNF Din No. 934. Grade 8.8	353427X1	<b>165, 168, 175, 178, 185, 188, 265, 275, 285, 290, 375E, 390E, 565, 575, 590, 675, 690</b> Industrial <b>50, 50B, 50B MKIII, 50D, 50E/EX, 50H/HX, 60H</b>
6	<b>S.40123</b> Steering Arm - Upper (Power Assisted Steering)	1671335M1	<b>165, 168, 175, 178, 185, 188, 265, 275, 285, 290, 375E, 390E</b> Industrial <b>50, 50B, 50B MKII</b> , (Please note: This part may vary with arm used on USA build Tractors)
7	<b>S.40122</b> Bracket - Steering Shaft (Power Assisted & Hydrostatic Steering Systems)	898355M91 147699M92	<b>165, 168, 175, 178, 185, 188, 265, 275, 285, 290, 565, 575, 590, 675, 690</b> Industrial <b>50, 50B, 50B MKII, 50D, 50E/EX, 50F, 50H/HX, 60H</b> , (Please note: This part may vary with Bracket used on USA build Tractors), TOP BRACKET fitted with finished bush <b>30D, 30E, 50D, 50H, 50HX</b> ,
8	<b>S.41485</b> Bush	190560M1	<b>165, 168, 175, 178, 185, 188, 265, 275, 285, 290, 375E, 390E, 565, 575, 590, 675, 690</b> Industrial <b>50, 50B, 50B MKII, 50D, 50E/EX, 50F, 50H/HX, 60H</b>
9	<b>S.40221</b> Dust Seal - Felt	183021M1 183021M2, 196079M1	<b>165, 168, 175, 178, 185, 188, 265, 275, 285, 290, (265 Brazil), (275 Brazil), (283 Brazil), (290 Brazil), (292 Brazil), 375E, 390E, (410/420), (425 2WD &gt;238493), (425 4WD &gt;237827), (435 2WD &gt;236860), (435 4WD &gt;236060), (440 2WD &gt;236369), (440 4WD &gt;236556), (445 2WD &gt;BS035008), (445 4WD &gt;236223), (460 2WD &gt;239117), (460 4WD &gt;236903), 565, 575, 590, 675, 690</b> Industrial <b>50D, 50E/EX, 50F, 50H/HX, 60H</b>
10	<b>S.40127</b> Steering Shaft (Manual Steering & Hydrostatic Steering System). Supercedes S.40125	1676666M1	<b>165, 168, 175, 178, 185, 188, 265, 275, 285, 290, (235 Brazil), (265 Brazil), (275 Brazil), (290 Brazil), (292 Brazil), (295 Brazil), 375E, 390E, MF (425 2WD &gt;238493), (425 4WD &gt;237827), (435 2WD &gt;236380), (435 4WD &gt;236060), (440 2WD &gt;236369), (440 4WD &gt;236556), (445 2WD &gt;BS035008), (445 4WD &gt;236223), (460 2WD &gt;239117), (460 4WD &gt;236903), 565, 575, 590, 675, 690</b> Industrial <b>50D, 50E/EX, 50F, 50H/HX, 60H</b>
11	<b>S.40128</b> Steering Shaft (Power Assisted Steering Systems Only)	1676665M1	<b>165, 168, 175, 178, 185, 188, 265, 275, 285, 290, 375E, 390E, 565, 575, 590, 675, 690</b> Industrial <b>50, 50B, 50B MKII, 50D, 50E/EX, 50F, 50H/HX, 60H</b>
12	<b>S.4852</b> Bolt (5/8" x 3 1/2" UNF) Din No. 931. Grade 8.8	353626X1	<b>165, 168, 175, 178, 185, 188, 265, 275, 285, 290, 375E, 390E, 425, 435, 440, 445, 460, 565, 575, 590, 675, 690</b> Industrial <b>50D, 50E/EX, 50F, 50H/HX, 60H</b>
13	<b>S.40121</b> Steering Arm - Lower	1676664M1, 510336M2	<b>165, 168, 175, 178, 185, 188, 265, 275, 285, 290, (235 Brazil), (265 Brazil), (275 Brazil), (290 Brazil), (292 Brazil), (295 Brazil), 375E, 390E, MF (425 2WD &gt;238493), (425 4WD &gt;237827), (435 2WD &gt;236380), (435 4WD &gt;236060), (440 2WD &gt;236369), (440 4WD &gt;236556), (445 2WD &gt;BS035008), (445 4WD &gt;236223), (460 2WD &gt;239117), (460 4WD &gt;236903), 565, 575, 590, 675, 690</b> Industrial <b>50, 50B, 50B MKII, 50D, 50E/EX, 50F, 50H/HX, 60H</b> , (Please note: This part may vary with arm used on USA build Tractors), LOWER ARM, <b>30D, 50D, 3165</b>
14	<b>S.1001</b> Lock Nut (3/4" UNF) Din No. 939B. Grade 8.8	353436X1	<b>165, 168, 175, 178, 185, 188, 265, 275, 285, 290, 565, 575, 590, 675, 690</b> Industrial <b>50, 50B, 50B MKII, 50D, 50E/EX, 50F, 50H/HX, 60H</b>
15	<b>S.40124</b> Pin - Connecting	182725M1	<b>165, 168, 175, 178, 185, 188, 265, 275, 285, 290, 375E, 390E, 565, 575, 590, 675, 690</b> Industrial <b>ADJUSTMENT PIN 30D, 30E, 50, 50B MKII, 50D, 50E/EX, 50F, 50H/HX, 60H</b>
16	<b>S.841</b> Grease Nipple (1/4" UNF / 45°)	29958X	<b>165, 168, 175, 178, 185, 188, 265, 275, 285, 290</b> Industrial <b>50, 50B, 50B MKII</b>



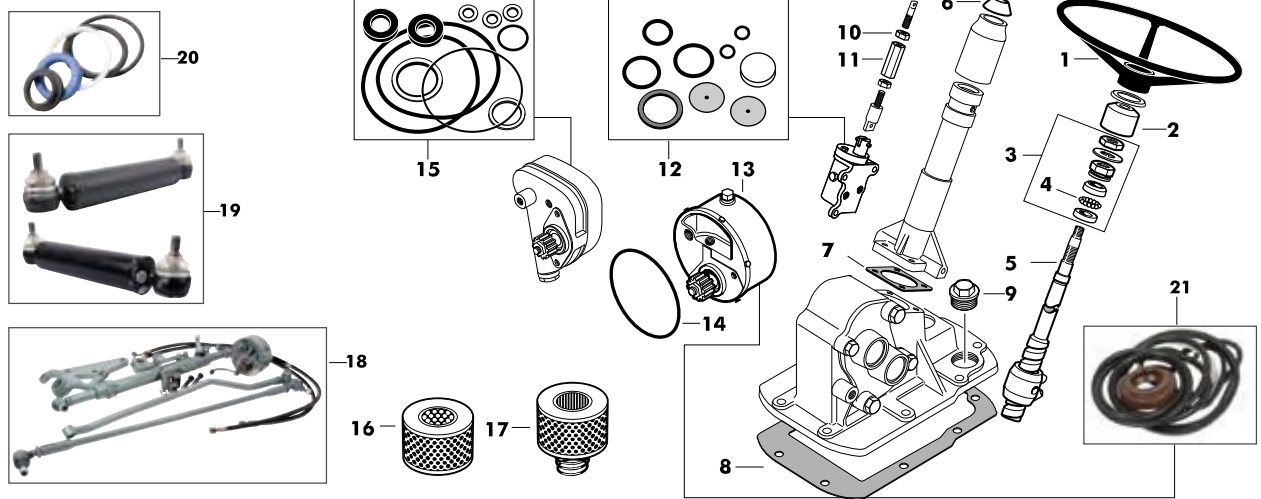
	Description	OEM Ref:	Applications
1	<b>S.61373</b> Steering Wheel (Keyed with metal spokes)	-	<b>TE20, TEA20, TED20, TEF20, T020</b>
1	<b>S.41486</b> Steering Wheel 18" Open centered	899623M1	<b>TE20, TEA20, TED20, TEF20, 35, 35X, 135, 148</b>
1	<b>S.40262</b> Steering Wheel (Keyed cap type)	1894488M1	<b>135, 148</b>
1	<b>S.48022</b> Steering Wheel (Keyed type - low cost alternative)	1894488M1	<b>135, 148</b>
1	<b>S.40263</b> Steering Wheel (Splined cap type) (Suitable for manual & power steering models but does not fit hydrostatic steering models)	1691798M1	<b>(230, 240, 250 Manual Steering Only)</b>
2	<b>S.40267</b> Nut - Steering Wheel	966461M1	<b>(230, 240, 250 Hydrostatic Steering Only)</b>
2	<b>S.40268</b> Nut - Steering Wheel	1853123M1	<b>135, 148, (230, 240, 250 Manual Steering Only)</b>
3	<b>S.40270</b> Cap - Steering Wheel. Male End Ø42mm (Suitable for Manual & Power Steering models but does not fit Hydrostatic Steering models)	1684894M91	<b>(230, 240, 250 Manual Steering Only)</b>
4	<b>S.40291</b> Washer	180577M1	<b>TE20, TEA20, TED20, TEF20, 35, 35X, 135, 148</b>
5	<b>S.40290</b> Wheel Nut	195592M1	<b>TE20, TEA20, TED20, TEF20, 35, 35X, 135, 148</b>
5a	<b>S.42300</b> Felt Seal	827210M1	<b>35, 35X, 133, 135, 140, 145, 148, 152, 158, 230, 231, 235, 240, 245, 250, 255, 260, Industrial 20D, 20E, 30E</b>
5b	<b>S.42299</b> O'Ring - 31 x 4mm (Material: Nitrile Rubber 70° shore hardness. For general use at temperatures: -40°C to +135°C.)	1850234M1	<b>35, 35X, 133, 135, 140, 145, 148, 152, 158, 230, 231, 235, 240, 245, 250, 255, 260, Industrial 20D, 20E, 30E</b>
6	<b>S.2911</b> Woodruff Key 3/16" x 3/4" Din No. 6888	2951X	<b>TE20, TEA20, TED20, TEF20, 35, 35X, 135, 148</b>
7	<b>S.40293</b> Steering Column - Repair Kit	22199X x 12 +, 1850031M1 +, 1850032M1 +, 1850033M1 +, 1850034M1 +, 1840034M1 +, 1850053M1	<b>35, 35X, 135, 148, (230, 240, 250 Manual Steering Only)</b>
8	<b>S.10903</b> Carbon Steel Ball Bearing Ø 3/8" (12 required)	22199X	<b>35, 35X, 135, 148, (230, 240, 250 Manual Steering Only)</b>
9	<b>S.42589</b> Grommet (Steering Shaft)	890357M1, 893544M1	<b>35, 35X, 135 (&gt;400001)</b>
9	<b>S.42590</b> Dust Boot (Steering shaft)	1863359M91	<b>(135 (400001&gt;), 148, 230, 240, 250, 253, 263 Manual Steering)</b>
10	<b>S.41562</b> Steering Column - Tube (Length 12 7/8")	899462M93	<b>35, 35X, (135&gt;400001)</b>
10	<b>S.41864</b> Steering Column - Tube (Length 14 1/4")	1863357M93	<b>(135 (400001&gt;), 148, 230, 240, 250 Manual Steering Only)</b>
11	<b>S.40274</b> Shaft - Steering (Keyed - 537mm)	1850003M92	<b>35, 35X, (135&gt;400000)</b>
11	<b>S.40275</b> Shaft - Steering (Keyed - 567mm)	1867192M91	<b>(135 400000&gt;), 148</b>
11	<b>S.40276</b> Shaft - Steering (Splined - 574mm)	1890727M91	<b>(230, 240, 250 Manual Steering Only)</b>
12	<b>S.10902</b> Carbon Steel Ball Bearing Ø: 5/16" (28 Required)	3711715M1	<b>35, 35X, 135, 148 (230, 240, 250 Manual Steering Only)</b>
13	<b>S.41961</b> Gasket - Column to Box	1893620M1	<b>35, 35X, 135, 148 (230, 240, 250 Manual Steering)</b>
14	<b>S.43285</b> Drop Arm Primary (2WD)	1850021M1	<b>35, 35X, 133, 135, 140, 145, 148, 152, 155, 158, 230, 235, 240, 240S, 245, 250, 255, 260</b>
14a	<b>S.42301</b> Felt Seal	1850020M1	<b>35, 35X, 133, 135, 140, 145, 148, 152, 158, 230, 231, 235, 240, 245, 250, 255, 260, Industrial 20D, 20E, 30E</b>
15	<b>S.41618</b> Seal - Rocker Shaft	1893623M1	<b>35, 35X, 135, 148, (230, 240, 250 Manual Steering Only)</b>
16	<b>S.40284</b> Bush - Rocker Shaft	1850018M1	<b>35, 35X, 135, 145, 148, (230, 240, 250 Manual Steering Only), Industrial 20B, 40</b>



	Description	OEM Ref:	Applications
17	<b>S.41960</b> Gasket - Side Plate to Box	1850041M1	<b>35, 35X, 135, 148, (230, 240, 250 Manual Steering Only)</b>
18	<b>S.8752</b> Setscrew 1/4" x 5/8" UNF. Din No. 933. Grade 8.8	353502X1	<b>35, 35X, 135, 148, (230, 240, 250 Manual Steering Only)</b>
19	<b>S.42310</b> Tab Washer	1850030M1	<b>35, 35X, 133, 135, 140, 145, 148, 152, 230, 231, 235, 240, 245, 250, 255 Industrial 20D, 20E, 30E</b>
20	<b>S.41566</b> Peg - Rocker to Steering Shaft	1861583M1	<b>35, 35X, 135, 148, (230, 240, 250 Manual Steering Only)</b>
21	<b>S.42305</b> Shim (+ 0.002")	1866904M1	<b>35, 35X, 133, 135, 140, 145, 148, 152, 230, 231, 235, 240, 245, 250, 255 Industrial 20D, 20E, 30E</b>
21	<b>S.42306</b> Shim (+ 0.005")	1866905M1	<b>35, 35X, 133, 135, 140, 145, 148, 152, 230, 231, 235, 240, 245, 250, 255 Industrial 20D, 20E, 30E</b>
21	<b>S.42307</b> Shim (+ 0.010")	1866906M1	<b>35, 35X, 133, 135, 140, 145, 148, 152, 230, 231, 235, 240, 245, 250, 255 Industrial 20D, 20E, 30E</b>
22	<b>S.10905</b> Carbon Steel Ball Bearing. Ø: 1/2" (Supercedes S.6183.)	22200X	<b>35, 35X, 133, 135, 140, 145, 148, 152, 230, 231, 235, 240, 245, 250, 255 Industrial 20D, 20E, 30E</b>
23	<b>S.40280</b> Rocker Shaft - Lower	1861704M1	<b>35, 35X, 135</b>
23	<b>S.40281</b> Rocker Shaft - Lower	1889567M1	<b>148, (230, 240, 250 Manual Steering Only)</b>
24	<b>S.40279</b> Rocker Shaft - Upper	1850017M1	<b>35, 35X, 135, 148 (230, 240, 250 Manual Steering Only)</b>
25	<b>S.41352</b> Gasket - Steering Box to Transmission	180511M1	<b>35, 35X, 135, 148, 230, 230, 250, 253, 340, 342, 350, 352, 355, 360, 550</b>
25	<b>S.43797</b> Gasket - Steering Box to Transmission (Fits both sides of Steering Box Plate)	890736M1, 7083	<b>TE20, TEA20, TED20, TEF20</b>
26	<b>S.43286</b> Drop Arm Secondary (2WD)	1850022M1	<b>35, 35X, 133, 135, 140, 145, 148, 152, 155, 158, 230, 235, 240, 240S, 245, 250, 255, 260</b>
27	<b>S.42544</b> Steering Box Assembly (Later splined type - use with S.40263 Steering Wheel)	-	<b>(135 400001&gt;), 148</b>
28	<b>S.41318</b> Cap - Oil Filler (Transmission)	768300M1	<b>TE20, TEA20, TED20, TEF20, TO20, 35, 35X, 135, 148, 230, 240, 250</b>
29	<b>S.42588</b> Dust Cap (Steering shaft)	1864867M1	<b>35, 35X, 135, 148, 152, 158, 230, 231, 235, 240, 245, 250, 260S, 261S Industrial 20D, 20E, 30E</b>
30	<b>S.1004</b> Lock Nut - 1" UNF Din No. 939B. Grade 8.8	355647X1	<b>35, 35X, 133, 135, 140, 145, 148, 152, 155, 158, 230, 235, 240, 240S, 245, 250, 255, 260</b>

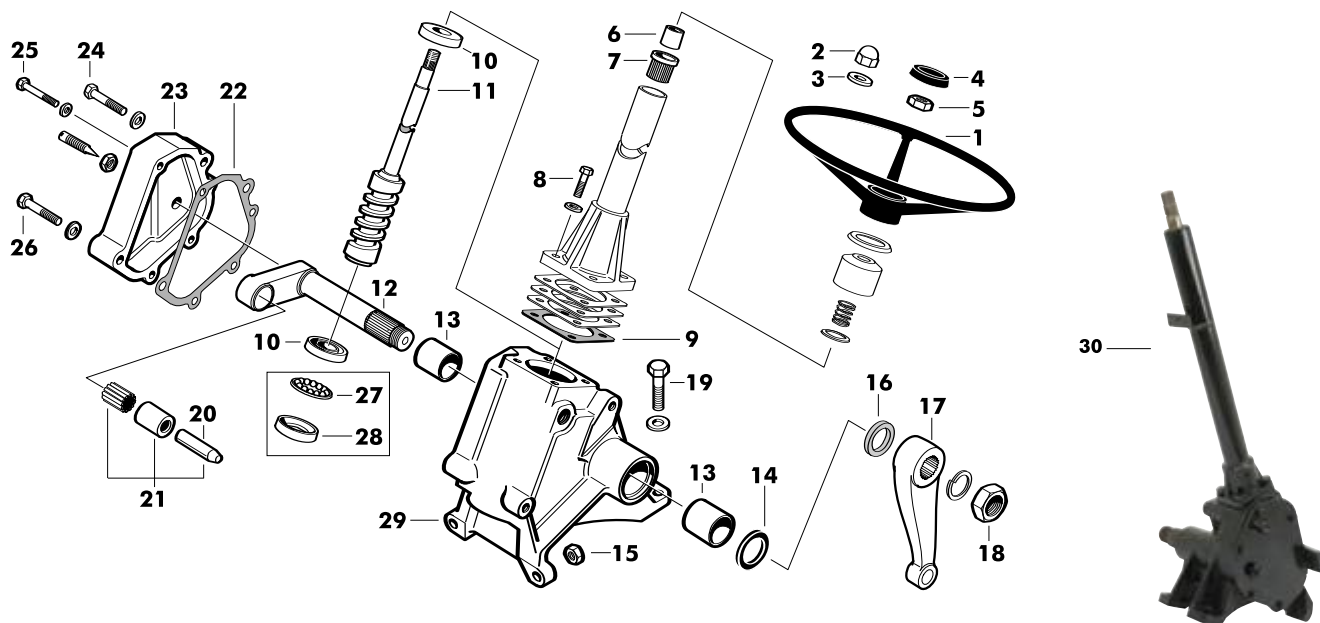
(Includes Models 4cyl Petrol & 20C/23C Diesel Engines)

MF02

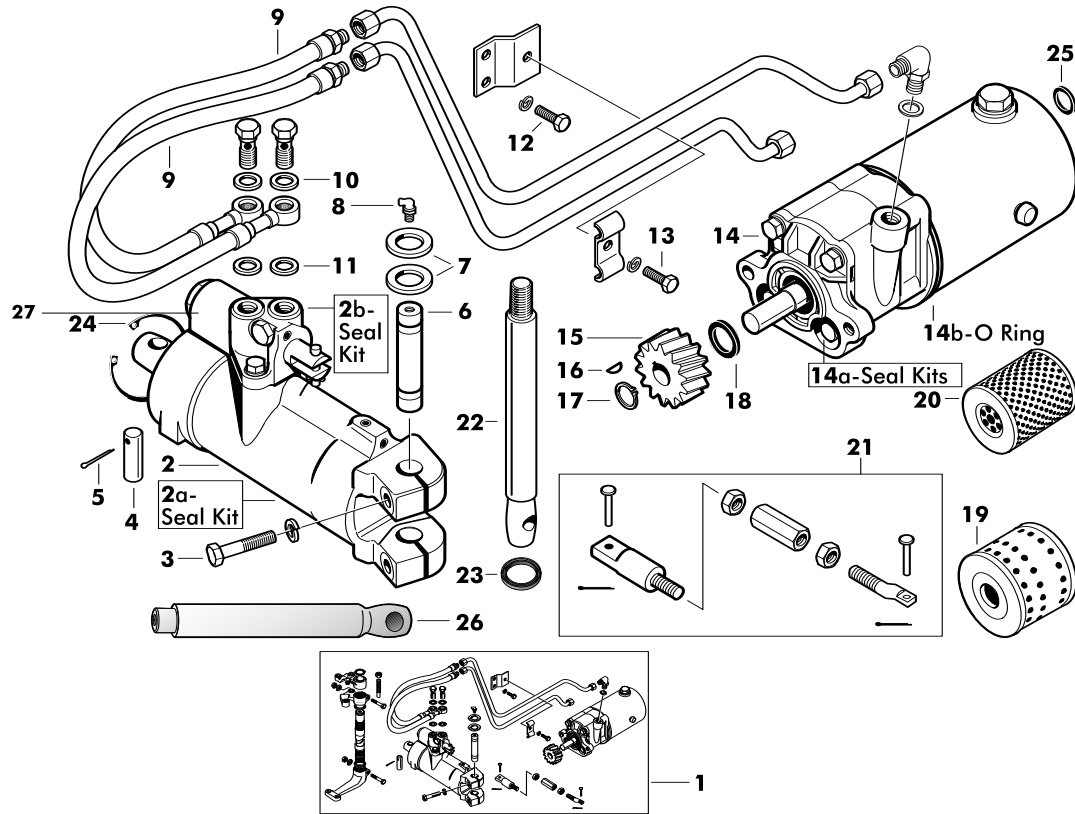


	Description	OEM Ref:	Applications
1	<b>S.41486</b> Steering Wheel 18" Open centered	899623M1	<b>TE20, TEA20, TED20, TEF20, FE35, 35, 35X, 135, 148</b>
1	<b>S.61373</b> Steering Wheel (Keyed with metal spokes)	-	<b>TEA20, TED20, TEF20, T020</b>
1	<b>S.40262</b> Steering Wheel (Keyed cap type)	1894488M1	<b>135, 148</b>
1	<b>S.48022</b> Steering Wheel (Keyed type - low cost alternative)	1894488M1	<b>135, 148</b>
1	<b>S.40263</b> Steering Wheel (Splined cap type) (Suitable for manual & power steering models but does not fit hydrostatic steering models)	1691798M1	<b>(230, 240, 250 Manual Steering Only)</b>
2	<b>S.42588</b> Dust Cap (Steering shaft)	1864867M1	<b>35, 35X, 135, 148, 230, 240, 245, 250, 253</b>
3	<b>S.40293</b> Steering Column - Repair Kit	22199X x 12 +, 1850031M1 +, 1850032M1 +, 1850033M1 +, 1850034M1 +, 1840034M1 +, 1850053M1	<b>35, 35X, 135, 148</b>
4	<b>S.10903</b> Carbon Steel Ball Bearing Ø 3/8" (12 required)	22199X	<b>35, 35X, 135, 148, (230, 240, 250 Manual Steering Only)</b>
5	<b>S.40274</b> Shaft - Steering (Keyed - 537mm)	1850003M92	<b>35, 35X, (135&gt;400000)</b>
5	<b>S.40275</b> Shaft - Steering (Keyed - 567mm)	1867192M91	<b>(135 400000&gt;), 148</b>
5	<b>S.40276</b> Shaft - Steering (Splined - 574mm)	1890727M91	<b>(230, 240, 250 Manual Steering Only)</b>
6	<b>S.42590</b> Dust Boot (Steering shaft)	1863359M91	<b>135, 148, 230, 240, 245, 250, 253</b>
7	<b>S.41961</b> Gasket - Column to Box	1893620M1	<b>35, 35X, 135, 148 (230, 240, 250 Manual Steering)</b>
8	<b>S.41352</b> Gasket - Steering Box to Transmission	180511M1	<b>35, 35X, 135, 148, 230, 240, 250, 253, 340, 342, 350, 352, 355, 360</b>
9	<b>S.41318</b> Cap - Oil Filler (Transmission)	768300M1	<b>TE20, TEA20, TED20, TEF20, T020, 35, 35X, 135, 148, 230, 240, 250</b>
10	<b>S.1783</b> Lock Nut 3/8" UNF Din No. 939B. Grade 8.8	376123X1	<b>230, 240, 253, 263, 340, 342, 352, 355</b>
11	<b>S.40140</b> Turnbuckle	881727M1	<b>(35, 35X, 135, 148 Power Assisted Steering)</b>
12	<b>S.61187</b> Power Steering Valve Assembly	1671949M91, 1884950M93, 1671949M93, 3186463M95, 881290M95	<b>135, 148, 158MKIII (F, S, V), 230, 231, 235, 240, 245, 250, 255, 260 Industrial 20D, 20E, 30E</b>
12a	<b>S.6380</b> Power Steering O'Ring Pack (Qty. 9)	894969M92	<b>35, 135, 148, 158MKIII, 230, 231, 235, 240, 245, 250, 255, 260 Industrial 20D, 20E, 30E</b>
13	<b>S.43692</b> Hydrostatic Steering Pump - Barnes Type. Flow rate 6.9 LPM - Relief valve setting 1200 PSI	773126M92	<b>(35, 35X, 135, 148 Power Assisted Steering), (230, 240, 250 Hydrostatic Steering)</b>
13	<b>S.43980</b> Pump - Power Steering	1695922M91, 3772717M91, 3774041M91, 3774614M91	<b>230, 231, 240, 243, 253, 263, 340, 342, 350, 352, 355, 360</b>
14	<b>S.41501</b> O'Ring - Cannister (Barnes pump)	1055980M1	<b>(35, 35X, 135, 148 Power Assisted Steering), (230, 240, 250 Hydrostatic Steering)</b>
15	<b>S.41610</b> Seal Kit (Early kidney shaped pump)	1810529M91	<b>(35, 35X, 135, 148 Power Assisted Steering),</b>
16	<b>S.40160</b> Filter - Power Steering (40 x 50 x 24mm hole one end closed)	1886135M1	<b>(135, 148 Power Assisted Steering), (230, 240, 250 Hydrostatic Steering)</b>
17	<b>S.40162</b> Filter - Power Steering (40 x 50 x 13mm hole c/w tapered spring on closed end)	1052097M1	<b>(35, 35X, 135, 148 Power Assisted Steering)</b>
18	<b>S.42415</b> Power Steering Kit (Not as original)	-	<b>35, (135 with swept back axle - less cab and loader)</b>
18	<b>S.42416</b> Power Steering Kit (Not as original)	-	<b>(135, 148 with straight axle - less cab and loader)</b>
18	<b>S.42630</b> Power Steering Kit (Not as original)	-	<b>240</b>
19	<b>S.60514</b> Power Steering Cylinder (RH - Check with picture before ordering)	3401241M91, 0011404U91	<b>135, 148, 230, 235, 240, 240S, 245, 250, 255, 260 (550 for RH use S.60515)</b>
19	<b>S.60515</b> Power Steering Cylinder (LH - Check with picture before ordering)	3401240M91, 0011403U91	<b>135, 148, 230, 235, 240, 240S, 245, 250, 255, 260 (550 for LH use S.60514)</b>
20	<b>S.43809</b> Seal Kit (To repair S.60514 & S.60515)	3403916M91	<b>135, 148, 230, 235, 240, 245, 250, 255, 260, 550, 560</b>
21	<b>S.43869</b> Seal Kit - Power Steering Pump	-	<b>35, 35X, 135, 148, 230, 231, 240, 243, 250, 253, 263, 340, 342, 350, 352, 355, 360</b>

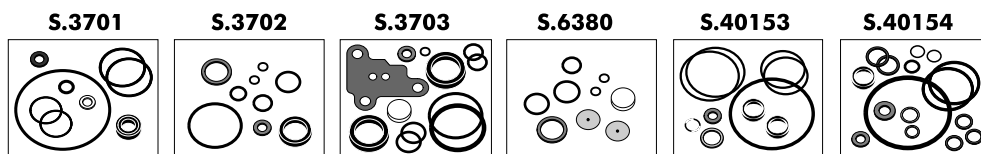




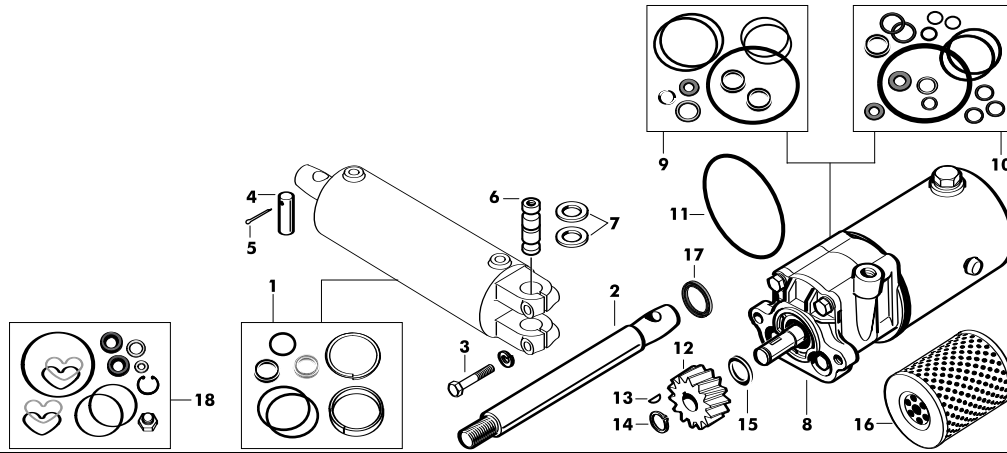
	Description	OEM Ref.	Applications
1	<b>S.41486</b> Steering Wheel 18" Open centered	899623M1	<b>65, 765</b>
1	<b>S.40264</b> Steering Wheel (Splined Cap Type)	1671945M1	<b>165, 168, 175, 178, 185, 188, 265, 275, 285, 290, 565, 590, 595</b>
2	<b>S.40290</b> Wheel Nut	195592M1	<b>65, 765</b>
3	<b>S.40291</b> Washer	180577M1	<b>65, 765</b>
4	<b>S.40271</b> Cap - Steering Wheel	1870806M91	<b>165, 168, 175, 178, 185, 188, 265, 275, 285, 290, 565, 575, 590, 595</b>
5	<b>S.40268</b> Nut - Steering Wheel	1853123M1	<b>165, 168, 175, 178, 185, 188, 265, 275, 285, 290, 565, 575, 590, 595</b>
6	<b>S.3705</b> Bush - Inner	1853112M1	<b>165, 168, 175, 178, 185, 188, 265, 275, 285, 290</b>
7	<b>S.3706</b> Bush - Outer	1853210M1	<b>165, 168, 175, 178, 185, 188, 265, 275, 285, 290</b>
8	<b>S.4893</b> Setscrew $\frac{5}{16}$ " x 1" UNF Din No. 933. Grade 8.8	353519X1, 1880551M1, 353518X1, 0746255	<b>165, 168, 175, 178, 185, 188, 265, 275, 285, 290</b>
9	<b>S.3711</b> Gasket - Steering Column	1853121M1	<b>165, 168, 175, 178, 185, 188, 265, 275, 285, 290</b>
10	<b>S.3714</b> Bearing	1883133M91	<b>165, 168, 175, 178, 185, 188, 265, 275, 285, 290</b>
10	<b>S.73590</b> Bearing	3473264M1	<b>168MKIII, (265 193552&gt;), (275 221522&gt;), (275 P12018&gt;), (290 387021&gt;), (290, P06156&gt;), (375E P12018&gt;), (390E P06156&gt;)</b>
11	<b>S.42073</b> Shaft - Steering Supercedes S.40273	1805743M92	<b>(165 100001&gt;), (168 Later), 185, 188, (265&gt;181259), (275&gt;211774), (285 Early), (290&gt;344187)</b>
11	<b>S.40277</b> Shaft - Steering (688mm)	1675411M91	<b>(265 181260&gt;), (275 211775&gt;), (285 Later), (290 344188&gt;)</b>
11	<b>S.43957</b> Steering Shaft	1850589M91	<b>65, 765</b>
12	<b>S.43288</b> Rocker Shaft	1805744M91	<b>165, 168, 178, 185, 188, 265, 275, 285, 290</b>
13	<b>S.3727</b> Bush - Steering Box & Cover	1850517M1	<b>65,165, 168, 175, 178, 185, 188, 265, 275, 285, 290</b>
14	<b>S.3728</b> Seal - Rocker Shaft Dimensions 1.50" x 2.00" x 0.218". Supercedes S.66757.	1850519M1	<b>65,165, 168, 175, 178, 185, 188, 265, 275, 285, 290</b>
15	<b>S.1006</b> Lock Nut $\frac{7}{16}$ " UNF Din No. 939B. Grade 8.8	353428X1	<b>165, 168, 175, 178, 185, 188, 265, 275, 285, 290</b>
16	<b>S.3730</b> Seal - Dust	1884245M1	<b>165, 168, 175, 178, 185, 188, 265, 275, 285, 290</b>
17	<b>S.73514</b> Drop Arm	1853138M1	<b>165, 168, 178, 185, 188, 265, 275, 285, 290</b>
18	<b>S.3731</b> Lock Nut 1 $\frac{1}{4}$ " (UNF)	353460X1	<b>165, 168, 175, 178, 185, 188, 265, 275, 285, 290</b>
19	<b>S.53766</b> Bolt $\frac{7}{16}$ " x 1 $\frac{1}{2}$ " UNC Din No. 931. Grade 8.8	353702X1	<b>165, 168, 175, 178, 185, 188, 265, 275, 285, 290</b>
20	<b>S.40282</b> Rocker Guide	1805744M91	<b>165, 168, 175, 178, 185, 188, 265, 275, 285, 290</b>
21	<b>S.41603</b> Guide Assembly - Steering Box	1806227M91	<b>165, 168, 175, 178, 185, 188, 265, 275, 285, 290</b>
22	<b>S.3719</b> Gasket - Cover to Box	1853115M1	<b>165, 168, 175, 178, 185, 188, 265, 275, 285, 290</b>
23	<b>S.3720</b> Cover - Steering Box	1853206M91	<b>165, 168, 175, 178, 185, 188, 265, 275, 285, 290</b>
24	<b>S.4894</b> Setscrew $\frac{5}{16}$ " x 1 $\frac{1}{2}$ " UNF Din No. 933. Grade 8.8	353523X1, 1853127M1	<b>165, 168, 175, 178, 185, 188, 265, 275, 285, 290</b>
25	<b>S.53768</b> Bolt $\frac{7}{16}$ " x 2 $\frac{1}{4}$ " UNC Din No. 931. Grade 8.8	353708X1, 1853128M1	<b>165, 168, 175, 178, 185, 188, 265, 275, 285, 290</b>
26	<b>S.51851</b> Bolt $\frac{5}{16}$ " x 1 $\frac{3}{4}$ " UNF Din No. 931. Grade 8.8	353725X1, 353524X1, 1853126M1	<b>165, 168, 175, 178, 185, 188, 265, 275, 285, 290</b>
27	<b>S.41872</b> Bearing	1850526M91	<b>50, 65, 765</b>
28	<b>S.41873</b> Bearing	1850527M1	<b>50, 65, 765</b>
29	<b>S.3729</b> Housing - Steering Box (c/w Seal & Bushes)	1853098M91	<b>165, 168, 175, 178, 185, 188, 265, 275, 285, 290</b>
30	<b>S.73504</b> Steering Box Assembly	1687020M92	<b>165, 168, 185, 188, 265, 275, 285, 290, 390</b>



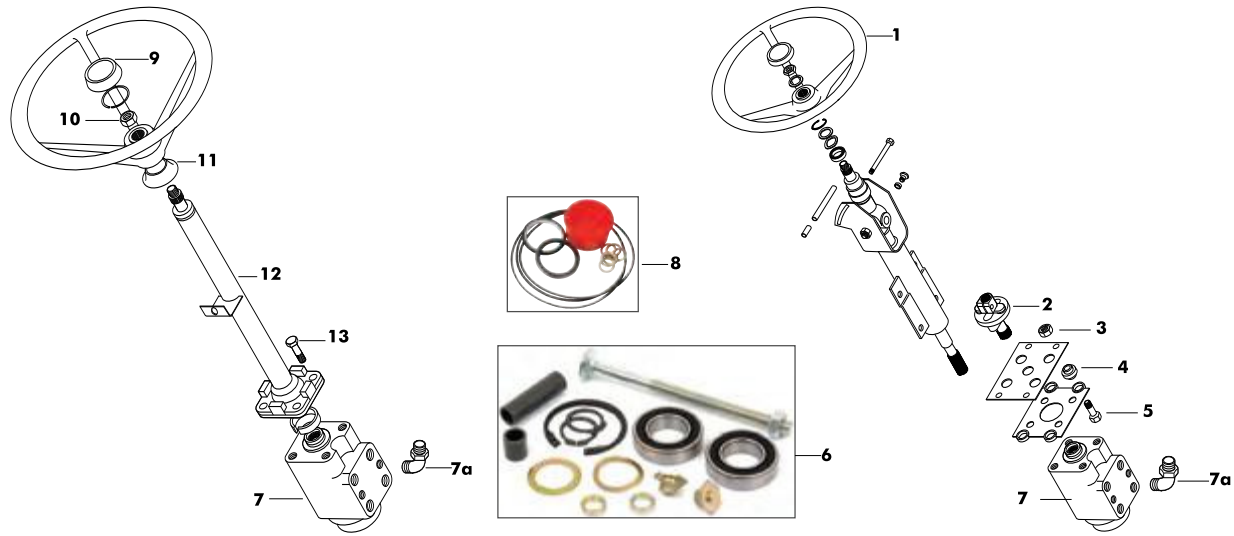
	Description	OEM Ref:	Applications
1	<b>S.40129</b> Power Steering Kit	1866890M98	(165 A4.212 Only), 168, 175, 178, 185, 188
1	<b>S.42630</b> Power Steering Kit (Not as original)	-	240
2	<b>S.40132</b> Cylinder Ram - Power Steering	1885579M91, 3186320M91	165, 168, 175, 178, 185, 188, 265, 275, 285, 290 Industrial 50, 50B, 50B MKII
2a	<b>S.40134</b> Seal Kit - Cylinder Ram (Kit contains both S.3702 (laser type) & S.3703 (Hydrostere Type) Seal Kits)	1810437M91 + 1885710M91	165, 168, 175, 178, 185, 188, 265, 275, 285, 290 Industrial 50, 50B, 50B MKII
2a	<b>S.3702</b> Power Steering O'Ring Pack	1810437M91	165, 168, 175, 178, 185, 188, 265, 275, 285, 290 Industrial 50, 50B, 50B MKII
2a	<b>S.3703</b> Power Steering O'Ring Pack	1885710M91	165, 168, 175, 178, 185, 188, 265, 275, 285, 290 Industrial 50, 50B, 50B MKII
2b	<b>S.6380</b> Power Steering O'Ring Pack (Qty. 9)	894969M92	165, 168, 175, 178, 185, 188, 265, 275, 285, 290 Industrial 50, 50B, 50B MKII
3	<b>S.51805</b> Bolt 5/16" x 1 1/2" UNF Din No. 931. Grade 8.8	354264X1	165, 168, 175, 178, 185, 188, 265, 275, 285, 290 Industrial 50, 50B, 50B MKII
4	<b>S.41339</b> Pin - Cylinder Piston (EN 16T Steel) Thread = 1/2" UNC. Length = 93mm.	898366M2, 1471634M2	165, 168, 175, 178, 185, 188, 265, 275, 285, 290 Industrial 50, 50B, 50B MKII
5	<b>S.1500</b> Cotter Pin (Ø3.2mm x 40mm) (Ø1/8" x 1 1/2")	375090X1	165, 168, 175, 178, 185, 188, 265, 275, 285, 290 Industrial 50, 50B, 50B MKII
6	<b>S.40148</b> Pin - Cylinder Support	898363M1, 1671322M1, 1691464M1	165, 168, 175, 178, 185, 188, 265, 275, 285, 290 Industrial 50, 50B, 50B MKII
7	<b>S.40146</b> Shim (0.10mm)	829258M1	165, 168, 175, 178, 185, 188, 265, 275, 285, 290 Industrial 50, 50B, 50B MKII
7	<b>S.40147</b> Shim (0.50mm)	829259M1	165, 168, 175, 178, 185, 188, 265, 275, 285, 290 Industrial 50, 50B, 50B MKII
8	<b>S.857</b> Grease Nipple (M8 x 1.25mm / 45°)	643613M1	165, 168, 175, 178, 185, 188, 265, 275, 285, 290 Industrial 50, 50B, 50B MKII
9	<b>S.41958</b> Hose - Hydraulic	897153M91	165, 168, 175, 178, 185, 188, 265, 275, 285, 290 Industrial 50, 50B, 50B MKII
10	<b>S.8839</b> Copper Washer I/D: 14mm. O/D: 20mm x 1.5mm	828498M1	165, 168, 175, 178, 185, 188, 265, 275, 285, 290 Industrial 50, 50B, 50B MKII
11	<b>S.11229</b> Aluminium Washer I/D: 17/32". O/D: 27/32" x 0.0478"	891785M1	165, 168, 175, 178, 185, 188, 265, 275, 285, 290 Industrial 50, 50B, 50B MKII
12	<b>S.8606</b> Setscrew - 1/4" x 1/2" UNF Din No. 933. Grade 8.8	353501X1	165, 168, 175, 178, 185, 188, 265, 275, 285, 290 Industrial 50, 50B, 50B MKII
13	<b>S.8759</b> Setscrew - 5/16" x 5/8" UNF Din No. 933. Grade 8.8	353516X1	165, 168, 175, 178, 185, 188, 265, 275, 285, 290 Industrial 50, 50B, 50B MKII



		Description	OEM Ref:	Applications
14	<b>S.40150</b>	Power Steering Pump (c/w Drive Gear) (2 Bolt Fixing Replaces 3 bolt Fixing Pumps)	523092M91, 897147M95	<b>(165 A4.212), 168, 175, 178, 185, 188, 265, 275, 285, 290, Industrial 50, 50B, 50B MKII</b>
14	<b>S.41959</b>	Power Steering Pump (Less Drive Gear) (2 Bolt Fixing Replaces 3 Bolt Fixing Pumps). Supercedes S.48060	523092M91, 897146M91, 897147M95	<b>(165 A4.212), 168, 175, 178, 185, 188, Industrial 50, 50B, 50B MKII</b>
14	<b>S.43053</b>	Power Steering Pump	1662243M91	<b>(165 A4.212), 168, 185, 188, 265, 275, 290</b>
14	<b>S.42709</b>	Power Steering Pump	1696666M91	<b>362, 365, 375, 390</b>
14a	<b>S.3701</b>	Power Steering O'Ring Pack	1810417M91	<b>165, 168, 175, 178, 185, 188 Industrial 50, 50B, 50B MKII</b>
14a	<b>S.40153</b>	Seal Kit (Later Plessey Pump) (2 x Single lip type seals)	1810509M91	<b>165, 168, 175, 178, 185, 188, 265, 275, 285, 290 Industrial 50, 50B, 50B MKII</b>
14a	<b>S.40154</b>	Seal Kit - (Air Equipment Pump)	1635948M91	<b>165, 168, 175, 178, 185, 188, 265, 275, 285, 290 Industrial 50, 50B, 50B MKII</b>
14b	<b>S.1947</b>	O'Ring 1/8" x 4 1/8" (Material: Nitrile Rubber 70° shore hardness. For general use at temperatures: -40°C to +135°C.). BS243	1884305M3	<b>165, 168, 175, 178, 185, 188, 265, 275, 285, 290 Industrial 50, 50B, 50B MKII</b>
14b	<b>S.6797</b>	O'Ring - 3/16" x 3 3/4" (Material: Nitrile Rubber 70° shore hardness. For general use at temperatures: -40°C to +135°C.). BS343	1645899M1	<b>165, 168, 175, 178, 185, 188, 265, 275, 285, 290 Industrial 50, 50B, 50B MKII</b>
15	<b>S.41420</b>	Gear - Power Steering Pump	897159M1	<b>165, 168, 175, 178, 185, 188, 265, 275, 285, 290 Industrial 50, 50B, 50B MKII</b>
16	<b>S.2905</b>	Woodruff Key 1/8" x 1/2" Din No. 6888	2957X	<b>165, 168, 175, 178, 185, 188, 265, 275, 285, 290 Industrial 50, 50B, 50B MKII</b>
17	<b>S.2872</b>	External Circlip - 14mm (9/16")	355791X1	<b>165, 168, 175, 178, 185, 188, 265, 275, 285, 290 Industrial 50, 50B, 50B MKII</b>
18	<b>S.3768</b>	Seal - Pump Shaft (Early Plessey Pumps) (28.82 x 15.78 x 7.85mm)	1884308M1	<b>165, 168, 175, 178, 185, 188, Industrial 50, 50B, 50B MKII</b>
18	<b>S.41419</b>	Seal - Pump Shaft (Later Plessey Pumps) (28.82 x 16.4 x 6.35mm)	1887989M1	<b>165, 168, 175, 178, 185, 188, 265, 275, 285, 290 Industrial 50, 50B, 50B MKII</b>
19	<b>S.40159</b>	Filter - Power Steering (Early Plessey Pumps)	1883318M1	<b>165, 168, 175, 178, 185, 188 Industrial 50, 50B, 50B MKII</b>
20	<b>S.40161</b>	Filter - Power Steering (Later Plessey and Air Equipment Pumps) Ø 70mm. Length: 72mm	1662566M1	<b>165, 168, 175, 178, 185, 188, 265, 275, 285, 290 Industrial 50, 50B, 50B MKII</b>
20	<b>S.40158</b>	Filter - Power Steering (To fit Early Sparex Pump S.40150>93)	1833255	<b>265, 275, 285, 290, 298, 565, 575, 590, 595, 675, 690, 698, 698T Industrial 50D, 50E/EX, 50F, 50H/HX, 60H</b>
21	<b>S.40143</b>	Linkage Repair Kit Kit contains: 1 x 881728M1 Link End LH, 881727M1 Turnbuckle, 881729M1 Link End RH, 183080M1 Clevis Pin, 1 x 1888905M1 Link Control Pin, 3 x 354041X1 Spilt Pins, 1 x 353430X1 Nut, 1 x 375108X1 Nut	-	<b>165, 168, 175, 178, 185, 188, 265, 275, 285, 290 Industrial 50, 50B, 50B MKII</b>
22	<b>S.41874</b>	Shaft - Cylinder Ram (Later Hydrosteer Cylinders)	1606882M3	<b>165, 168, 175, 178, 185, 188, 265, 275, 285, 290 Industrial 50, 50B, 50B MKII</b>
23	<b>S.41875</b>	Seal - Cylinder Piston (Later Hydrosteer Cylinders)	1605370M1, 1749562M1	<b>165, 168, 175, 178, 185, 188, 265, 275, 285, 290 Industrial 50, 50B, 50B MKII</b>
24	<b>S.41812</b>	Internal Circlip - 69 x 2.45mm	1850774M1	<b>65, 165, 168, 175, 178, 185, 765 Industrial 50</b>
24	<b>S.41811</b>	Internal Circlip - 75 x 2.35mm	1885819M1	<b>165, 168, 175, 178, 185, 188, 265, 275, 285, 290 Industrial 50, 50B, 50B MKII</b>
25	<b>S.3769</b>	Seal - Rear of Reservoir	1884309M1	<b>165, 168, 175, 178, 185, 188, 265, 275, 285, 290 Industrial 50, 50B, 50B MKII</b>
26	<b>S.42095</b>	Shaft - Cylinder Ram 1/2" UNF Thread (Later Cylinders)	1885795M1	<b>165, 168, 175, 178, 185, 188, 265, 275, 285, 290 Industrial 50, 50B, 50B MKII, 50E, 50F, 50H</b>
27	<b>S.68325</b>	Valve - Power Steering Cylinder	3186321M91, 3186321M92	<b>168MKIII 168 F, 168 S, 265, 265 S, 275, 285 S, 290, 375 E, 390 E</b>



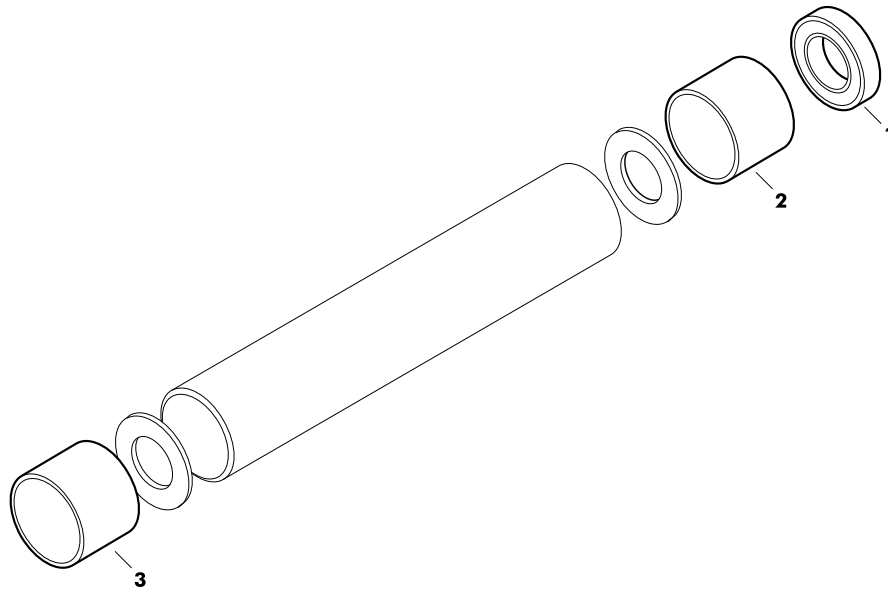
	Description	OEM Ref:	Applications
1	<b>S.40135</b> Seal Kit - Cylinder Ram	1606890M91	(265, 275, 285, 290, 565, 575, 590, 690 2WD Only) (Industrial 50D, 50E/EX, 50F, 50H/HX, 60H 2WD Only)
2	<b>S.41874</b> Shaft - Cylinder Ram (Later Hydrosteer Cylinders)	1606882M3	(265, 275, 285, 290, 565, 575, 590, 690 2WD Only) (Industrial 50D, 50E/EX, 50F, 50H/HX, 60H 2WD Only)
3	<b>S.51805</b> Bolt 3/8" x 1 3/4" UNC Din No. 931. Grade 8.8	354264X1	(265, 275, 285, 290, 565, 575, 590, 690 2WD Only) (Industrial 50D, 50E/EX, 50F, 50H/HX, 60H 2WD Only)
4	<b>S.41339</b> Pin - Cylinder Piston (EN 16T Steel) Thread = 1/2" UNC. Length = 93mm.	898366M2, 1471634M2	(265, 275, 285, 290, 565, 575, 590, 690 2WD Only) (Industrial 50D, 50E/EX, 50F, 50H/HX, 60H 2WD Only), PIVOT PIN all MF models with power steering including industrial
5	<b>S.1500</b> Cotter Pin (Ø3.2mm x 40mm) (Ø1/8" x 1 1/2")	375090X1	(265, 275, 285, 290, 565, 575, 590, 690 2WD Only) (Industrial 50D, 50E/EX, 50F, 50H/HX, 60H 2WD Only)
6	<b>S.40148</b> Pin - Cylinder Support	898363M1, 1671322M1, 1691464M1	(265, 275, 285, 290, 565, 575, 590, 690 2WD Only) (Industrial 50D, 50E/EX, 50F, 50H/HX, 60H 2WD Only)
7	<b>S.40146</b> Shim (0.10mm)	829258M1	(265, 275, 285, 290, 565, 575, 590, 690 2WD Only) (Industrial 50D, 50E/EX, 50F, 50H/HX, 60H 2WD Only)
7	<b>S.40147</b> Shim (0.50mm)	829259M1	(265, 275, 285, 290, 565, 575, 590, 690 2WD Only) (Industrial 50D, 50E/EX, 50F, 50H/HX, 60H 2WD Only)
8	<b>S.60861</b> Power Steering Pump	3107201M91, 1884357M91	(165 AD4.203)
8	<b>S.40150</b> Power Steering Pump (c/w Drive Gear) (2 Bolt Fixing Replaces 3 bolt Fixing Pumps)	523092M91, 897147M95	(265, 275, 285, 290, 565, 575, 590, 690 2WD Only),
8	<b>S.41959</b> Power Steering Pump (Less Drive Gear) (2 Bolt Fixing Replaces 3 Bolt Fixing Pumps). Supercedes S.48060	523092M91, 897146M91, 897147M95	(265, 275, 285, 290, 565, 575, 590, 690 2WD Only), (Industrial 50D, 50E/EX, 50F, 50H/HX, 60H 2WD Only)
8	<b>S.40157</b> Power Steering Pump (Less Drive Gear) (Air Equipment Type)	1666726M91, 1666727M92, 1872025M91	(265, 275, 285, 290, 565, 575, 590, 675, 690 Alternative to S.40150) Industrial 50E/EX
8	<b>S.40155</b> Power Steering Pump (Less Drive Gear) - Inlet Port = M32 x 1.5mm. Outlet Ports = 3/4" x 16 UNF-2B (JIC)	1691156M91	(270, 275, 283, 670, 675, 690, 698T, 1004, 1004T 4 WD)
9	<b>S.40153</b> Seal Kit - (Later Plessey Pump) (2 x Single lip type seals)	1810509M91	(265, 275, 285, 290, 565, 575, 590, 690 2WD Only)
10	<b>S.40154</b> Seal Kit - (Air Equipment Pump)	1635948M91	265, 275, 285, 290, 565, 575, 590, 690, 698, 698T Industrial 50D, 50E/EX, 50F, 50H/HX, 60H
11	<b>S.6797</b> O'Ring 3/16" x 3 3/4" (Material: Nitrile Rubber 70° shore hardness. For general use at temperatures: -40°C to +135°C.). BS343	1645899M1	265, 275, 285, 290, 565, 575, 590, 690, 698, 698T Industrial 50D, 50E/EX, 50F, 50H/HX, 60H
12	<b>S.41420</b> Gear - Power Steering Pump	897159M1	(265, 275, 285, 290, 565, 575, 590, 690 2WD Only)
13	<b>S.2905</b> Woodruff Key 1/8" x 1/2" Din No. 6888	2957X	(265, 275, 285, 290, 565, 575, 590, 690 2WD Only)
14	<b>S.2872</b> External Circlip 14mm (9/16")	355791X1	(265, 275, 285, 290, 565, 575, 590, 690 2WD Only)
15	<b>S.41419</b> Seal - Pump Shaft (Later Plessey Pumps) (28.82 x 16.4 x 6.35mm)	1887989M1	165, 168, 175, 178, 185, 188, 265, 275, 285, 290 Industrial 50, 50B, 50B MKII
16	<b>S.40161</b> Filter - Power Steering (Later Plessey and Air Equipment Pumps) Ø 70mm. Length: 72mm	1662566M1	265, 275, 285, 290, 298 (365, 375, 390 Not Tandem Pump), 565, 575, 590, 595, 675, 690, 698, 698T Industrial 50D, 50E/EX, 50F, 50H/HX, 60H
16	<b>S.40158</b> Filter - Power Steering (To fit Early Sparex Pump S.40150>93)	1833255	265, 275, 285, 290, 298, 565, 575, 590, 595, 675, 690, 698, 698T Industrial 50D, 50E/EX, 50F, 50H/HX, 60H
17	<b>S.41875</b> Seal - Cylinder Piston (Later Hydrosteer Cylinders)	1605370M1, 1749562M1	265, 275, 285, 290, 298, 565, 575, 590, 595, 675, 690, 698, 698T Industrial 50D, 50E/EX, 50F, 50H/HX, 60H
18	<b>S.41597</b> Seal Kit - Sunstrand Hydratec Pump	1810839M92	362, 365, 375, 383, 390
19	<b>S.42750</b> Hydraulic Pump	3539858M91, 1825210M91	174 (2WD), 184 (2WD), 194 (2WD), 233, 253, 254, 254C, 254CF, 254S, 263T, 264T, 264TCF, 264TS, 273, 274, 274S, 274SK, 283, 284, 284S, 293, 294, 294S, 333, 353 (>R31000), 353LX, 353S (R31001>), 363, 363LX (R31001>), 363S, 373, 373LX, 373 (R31001>), 373LX, 373S (R31001>), 377, 383, 383LX, 383S, 387, 393, 393LX, 393S, 393TLX, 397, 397T, 1007, 1014, 1024, 1114, 1134



		Description	OEM Ref:	Applications
1	S.66853	Steering Wheel	3774838M1	<b>340, 342, 350, 352, 355, 360, 362, 362N, 365, 372N, 375, 382N, 390, 390T, 396, 398, (399 1006.6 Engine), (399 A6.354.4 Engine), 4215, 4220, 4225, 4235, 4260, 4265, 4270</b>
1	S.107212	Steering Wheel	058019P1	<b>425 2WD &gt;238493), (425 4WD &gt;237827), (425 2WD &gt;238493), (425 4WD &gt;237827), (435 2WD &gt;236860), (435 4WD &gt;236060), (440 2WD &gt;236369), (440 4WD &gt;236556), (445 2WD &gt;BS035008), (445 4WD &gt;236223), (460 2WD &gt;239117), (460 4WD &gt;236903), (465 4WD &gt;236367), (475 4WD &gt;238868)</b>
2	S.42935	Steering Coupler	3595956M1	<b>340, 342, 350, 352, 355, 360, 362, 362N, 365, 372N, 375, 382N, 390, 390T, 396, 398, (399 1006.6 Engine), (399 A6.354.4 Engine), 4215, 4220, 4225, 4235, 4260, 4265, 4270</b>
3	S.4963	Self Locking Nut - 3/8" UNC Din No. 985 Grade 8.8	376454X1	<b>340, 342, 350, 352, 355, 360, 362, 362N, 365, 372N, 375, 382N, 390, 390T, 396, 398, (399 1006.6 Engine), (399 A6.354.4 Engine), 4215, 4220, 4225, 4235, 4260, 4265, 4270</b>
4	S.42278	Bush - Rubber Insert (Orbital Steering Pump Mount)	1679360M1, 1684015M1	<b>340, 342, 350, 352, 355, 360, 362, 362N, 365, 372N, 375, 382N, 390, 390T, 396, 398, (399 1006.6 Engine), (399 A6.354.4 Engine), 4215, 4220, 4225, 4235, 4260, 4265, 4270</b>
5	S.51805	Bolt - 3/8" x 1 3/4" UNC Din No. 931. Grade 8.8	354264X1	<b>340, 342, 350, 352, 355, 360, 362, 362N, 365, 372N, 375, 382N, 390, 390T, 396, 398, (399 1006.6 Engine), (399 A6.354.4 Engine), 4215, 4220, 4225, 4235, 4260, 4265, 4270</b>
6	S.42971	Bearing Kit - Steering Column	1811034M91	<b>340, 342, 350, 352, 355, 360, 362, 362N, 365, 372N, 375, 382N, 390, 390T, 396, 398, (399 1006.6 Engine), (399 A6.354.4 Engine), 4215, 4220, 4225, 4235, 4260, 4265, 4270</b>
7	S.42755	Orbital Unit(2WD 100cc - 3/4" JIC)	3821548M91, 1695444M91	<b>265, (275 221522&gt;), (275, 375E P12018&gt;), (290 387020&gt;), 298, (290, 390E P06156&gt;), (390 1006.6 Engine), (399 A6.354.4 Engine), 4215, 4220, 4225, 4235, 4260, 4265, 4270</b>
7a	S.43547	90° Compact Elbow 3/4" JIC Male to M18 Metric O'Ring Boss ISO 6149	3019690X91	<b>(399 1006.6 Engine), (399 A6.354.4 Engine), 4215, 4220, 4225, 4235, 4260, 4265, 4270</b>
7	S.56851	Orbital Unit (4WD 125cc - 3/4" JIC)	1695445M91	<b>(275, 375E P12018&gt;), (290 387020&gt;), 298, (290, 390E P06156&gt;), 340, 342, 350, 352, 355, 360, 362, 362N, 365, 372N, 375, 382N, 390, 390T, 396, 398, (399 1006.6 Engine), (399 A6.354.4 Engine), 4215, 4220, 4225, 4235, 4260, 4265, 4270</b>
7a	S.43547	90° Compact Elbow 3/4" JIC Male to M18 Metric O'Ring Boss ISO 6149	3019690X91	<b>(399 A6.354.4 Engine), 4215, 4220, 4225, 4235, 4260, 4265, 4270</b>
7	S.107210	Steering Pump (Single)	052207T1	<b>(425 2WD &gt;238493), (425 4WD &gt;237827), (435 2WD &gt;236860), (435 4WD &gt;236060), (440 2WD &gt;236369), (440 4WD &gt;236556), (445 2WD &gt;BS035008), (445 4WD &gt;236223)</b>
7	S.107209	Steering Pump (Double)	052107T1	<b>(425 2WD &gt;238493), (425 4WD &gt;237827), (435 2WD &gt;236380), (435 4WD &gt;236060), (440 2WD &gt;236369), (440 4WD &gt;236556), (445 2WD &gt;BS035008), (445 4WD &gt;236226), (460 2WD &gt;239117), (460 4WD &gt;236903), (492 (Japan Only)), 265 (Brazil), 275 (Brazil), 283 (Brazil), 292 (Brazil)</b>
7	S.107211	Steering Unit (2WD)	047161T1	<b>(250X Brazil), (265 Brazil), (275 Brazil), (283 Brazil), (290 Brazil), (292 Brazil) 415, (425 2WD &gt;238493), (425 4WD &gt;237827), (435 2WD &gt;236860), (435 4WD &gt;236060), (440 2WD &gt;236369), (440 4WD &gt;236556), (445 2WD &gt;BS035008), (445 4WD &gt;236223), (460 2WD &gt;239117), (460 4WD &gt;236903)</b>
7	S.107213	Steering Unit (4WD)	047153T1	<b>(265 Brazil), (275 Brazil), (283 Brazil), (290 Brazil), (292 Brazil) (425 4WD &gt;237827), (435 4WD &gt;236060), (440 4WD &gt;236556), (445 4WD &gt;236223), (460 4WD &gt;236903), (481 (Japan Only)), (492 (Japan Only))</b>
8	S.41499	Seal Kit - Orbital Unit	1810503M91	<b>(230, 240, 250 Hydrostatic Steering), (275, 375E P12018&gt;), (290 387020&gt;), 298, (290, 390E P06156&gt;), 340, 342, 350, 352, 355, 360, 362, 362N, 365, 372N, 375, 382N, 390, 390T, 396, 398, (399 1006.6 Engine), (399 A6.354.4 Engine), 4215, 4220, 4225, 4235, 4260, 4265, 4270 Industrial 50D, 50E/EX, 50F, 50H/HX "S", 60H "S"</b>
8	S.57264	Seal Kit Orbital Unit	048831R1	<b>(250X, 265, 275, 283, 290, 292, 297, 298, 299 Brazil), 415, (425 2WD &gt;238493), (425 4WD &gt;237827), (435 2WD &gt;236860), (435 4WD &gt;236060), (440 2WD &gt;236369), (440 4WD &gt;236556), (445 2WD &gt;BS035008), (445 4WD &gt;236223), 458 (Japan) (460 2WD &gt;239117), (460 4WD &gt;236903), (465 4WD &gt;236367), (475 4WD &gt;238868), (481 (Japan Only))</b>
9	S.40271	Cap - Steering Wheel	1870806M91	<b>265, (275 221522&gt;), (275, 375E P12018&gt;), (290 387020&gt;), 298, (290, 390E P06156&gt;)</b>
10	S.40268	Nut - Steering Wheel	1853123M1	<b>265, (275 221522&gt;), (275, 375E P12018&gt;), (290 387020&gt;), 298, (290, 390E P06156&gt;)</b>
11	S.42583	Dust Boot (Steering Shaft)	893544M1	<b>265, (275 221522&gt;), (275, 375E P12018&gt;), (290 387020&gt;), 298, (290, 390E P06156&gt;)</b>
12	S.42785	Steering Column	1686590M91	<b>265, (275 221522&gt;), (275, 375E P12018&gt;), (290 387020&gt;), 298, (290, 390E P06156&gt;)</b>
13	S.8798	Setscrew - 3/8" x 3/4" UNC Din No. 933. Grade 8.8	353689X1	<b>265, (275 221522&gt;), (275, 375E P12018&gt;), (290 387020&gt;), 298, (290, 390E P06156&gt;)</b>

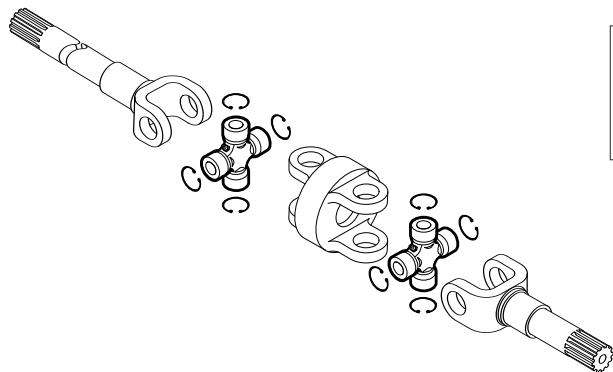


	Description	OEM Ref:	Applications
S.43115	Hose Assembly - Steering (870mm) Ends GCF 3/8" x 9/16" JIC Female x 2	1695084M93	(398 South Africa Only)
S.43116	Hose Assembly - Steering (550mm) LH - 2WD Ends GCF 3/8" x 9/16" JIC Female x 1, GCF 3/8" x 3/8" BSP Male x 1	1695083M95	(365, 375, 390, 390T, 398, 399>B18008)
S.43114	Hose Assembly - Steering (600mm) RH - 2WD Ends GCF 3/8" x 9/16" JIC Female x 2	3613839M91	365, 375, 390, 390T, 396, 398, 399
S.43112	Hose Assembly - Steering (300mm) Ends GCF 1/2" x 3/4" JIC Female x 2	3595369M1	340, 342, 350, 352, 355, 360, 362, 365, 375, 390
S.43113	Hose Assembly - Steering (750mm) P/S Pump Ends GCF 1/2" x 3/4" JIC135° Female x 2	3599863M91	365, 375, 390, 390T, 398
S.43111	Hose Assembly - Steering (2100mm) 4WD Ends GCF 3/8" x 9/16" JIC135° Female x 1, GCF 3/8" x 9/16" JIC Female x 1	1696899M3	365, 375, 390, 390T, 396, 398, 399
S.43105	Hose Assembly - Steering (375mm) Ends CF 3/4" x 1/2" JIC90° Female x 1, GCF 1/2" x 3/4" JIC Female x 1	3595370M1	340, 342, 350, 352, 355, 360, 362, 362N, 365, 372N, 375, 390, 390T, 396, 398, 399
S.43290	Hose Assembly - Steering (500mm) RH 2WD Ends PCF 3/8" x 9/16" JIC Female x 2	3610754M92	(365, 375, 390, 390T, 398>B18008), (399 A6.354.4 Engine)
S.43291	Hose Assembly - Steering (700mm) LH 4WD Ends PCF 3/8" x 9/16" JIC Female x 2	3613838M91	365, 375, 390, 390T, 396, (399 1006.6 Engine), (399 A6.354.4 Engine)



Seal 1	Rear Bush 2	Front Bush 3	Axle Type	Applications
	<b>S.3408</b> 897712M2	<b>S.3408</b> 897712M2	Cat1 Cat2 Cat2.5	<b>Side Drive Axles Landini Cat1 &amp; NG</b> <b>250, 265, 340, 350, 355, 360, 362, 365, 375, 390, 390T, 396, 398, 399</b>
<b>S.43339</b> 3759661M1	<b>S.3408</b> 897712M2	<b>S.3408</b> 897712M2	AG65 AG66 AG75 AG85 AG105	<b>Side Drive Axles AG</b> <b>240, 253, 263, 275, 290, 342, 352, 362, 362N, 365, 372N, 375, 382N, 390, 390T, 396, 398, 399</b>
			Axles NG Cat1 Cat2 Cat2.5	<b>3050, 3060, 3065, 3070, 3075</b>
			Cat2.5	<b>3080, 3085, 3090, 3095, 3115, 3120, 3120T</b>
			Axles AG AG66 AG75 AG85 AG105 AG105L	<b>3050, 3060, 3065, 3075, 3085, 6110, 6120, 6130, 6140, 6150, 6160, 6235, 6245, 6255, 6260, 6265</b>
				<b>4215, 4220, 4225, 4235, 4240, 4245, 4255, 4260, 4265, 4270, 4315, 4320, 4325, 4335, 4345, 4355, 4360, 4365, 4370</b>
			AG125	<b>3095, 3120, 6170, 6180, 6270, 6280</b>

MF02



S.56841

S.56842

S.72448

S.42356

S.2448

S.43420

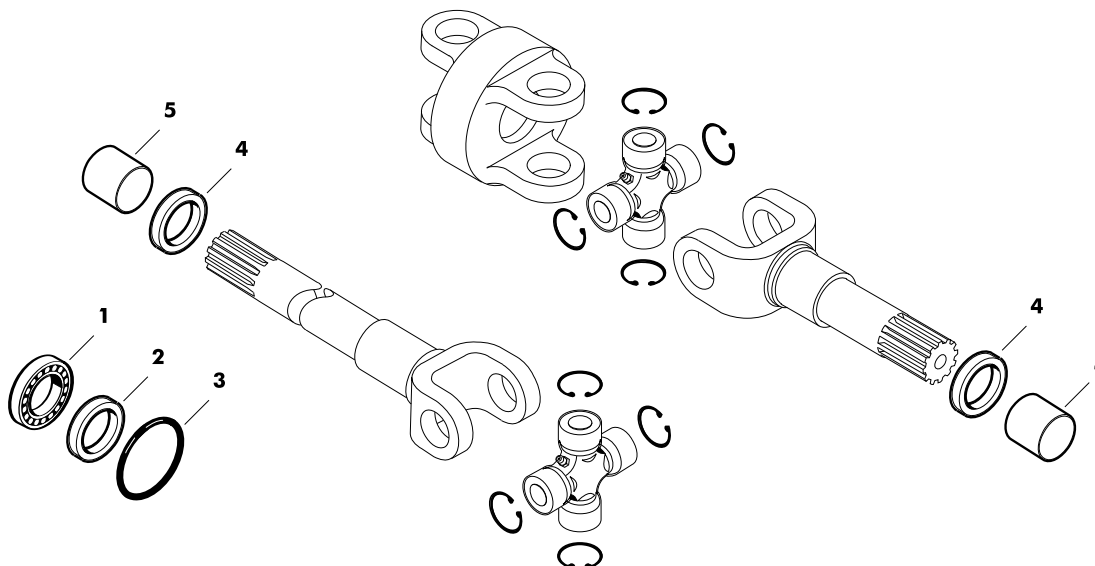
S.43421

S.43422

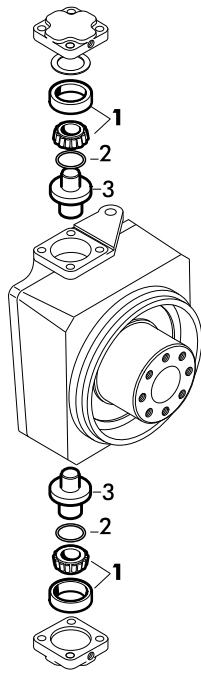
S.42390

Applications	Axle	UJ	Size (mm)
<b>Axle Landini</b> 250, 265, 275, 285, 290, 575, 590, 675, 690	Cat 1 Cat 2	<b>S.56841</b> 1423444M1, 3475808M1	27 x 81.7
298, 698, 698T, 699, 1004, 1004T (168, 188 1972 Type Axle) 275, 285, 298, 575, 590, 592, 595, 698, 1080, 2620, 2625, 2640, 2645, 2680, 2685, 2720, 2725 3610, 3630, 3650 Turning Angle 40deg	Cat 2.5 Cat 3	<b>S.56842</b> 1429021M1	30 x 106.5
<b>Axle NG (Hexagon Shaped Hub)</b> 340, 350, 355, 360, 362, 365, 375	Cat 1	<b>S.65845</b> 3427346M91	27 x 74.6
390, 390T, 396	Cat 2	<b>S.42390</b> 3475808M1	27 x 82
398, 399	Cat 2.5	<b>S.42356</b> 3427330M91	30.2 x 92
3050	Cat 1	<b>S.65845</b> 3427346M91	27 x 74.6
3055, 3060, 3065	Cat 2	<b>S.56841</b> 1423444M1, 3475808M1	27 x 81.7
3070, 3075, 3080, 3085, 3090, 3095, 3115, 3120, 3120T	Cat 2.5	<b>S.56842</b> 1429021M1	30 x 106.5
3125, 3140 3610, 3630, 3650 Turning Angle 40 deg 3635, 3645, 3655, 3660, 3680	Cat3	<b>S.56842</b> 1429021M1	30 x 106.5
3610, 3630, 3650 Turning Angle 50 deg	Cat 3.5	<b>S.42356</b> 3427330M91	30.2 x 92
3125, 3140 3635, 3645, 3655, 3660, 3670, 3690	Cat 3.5 Cat 3.6	<b>S.43420</b> 3428155M91	30.2 x 82
<b>Axle AG Round Shaped Hub</b> (240, 253, 342 Standrad Differential >D37163) (240 Hydrolock Differential)	AG65		
(240, 253, 342 Standard Differentail D37164>) (262, 352 Standard Differential) (342, 352 Hydrolock Differential)		<b>S.43421</b> 3427406M91 3429727M1	24 x 62
243, 263, 268, 354 AQ, 354 FQ, 354 SP, 354 FP, 354 AP, 354 GE, 354 SQ, 354 VQ, 362, 362N, 364 AQ, 364 FQ, 364 SP, 364 FP, 364 AP, 364 GE, 364 SQ, 364 VQ, 372N, 374 AQ, 374 FQ, 374 SP, 374, FP, 374 AP, 374 GE, 374 SQ, 374 VQ, 382N, 384 AQ, 384 FQ, 384 SP, 384 FP, 384 AP, 384 GE, 384 SQ, 384 VQ, 394 AQ, 394 FQ, 394 SQ, 394 T AQ, 394 SP, 394 FP, 394 AP, 394 GE, 2225 Compact 2230, Compact 2235, Compact 2615, 2625, 2635, 3210, 3220, 3225 SP(X), 3225 FP(X), 3225 AP(X), 3225 GE(X), 3235 SP(X), 3235 FP(X), 3235 AP(X), 3235 GE(X), 4215, 4220, 4225, 4235, 4240, 4245, 4255, 4315, 4320, 4325, 4335, 4345, 4355	AG66		
275, 290, 365, 375, 390, 390T, 396, 398, 399 4225, 4235, 4240, 4245, 4255, 4260, 4265, 4270, 4325, 5335, 5345, 5355, 5360, 5365, 4370	AG75 AG85 AG105 AG105L	<b>S.43422</b> 3429996M1 34296436M1 3765113M1	27 x 71
3050, 3060, 3065, 3075, 3085, 6110, 6120, 6130, 6140, 6150, 6160, 6235, 6245, 6255, 6260, 6265	AG85 AG1085	<b>S.43422</b>	27 x 71
3095, 3120, 3635, 3645, 3655 6170, 6180, 6190, 6270, 6280, 6290 8110, 8120, 8130, 8140, 8210, 8220, 8240	AG125 AG155 AG155H	<b>S.43420</b> 3428155M91	30.2 x 82
<b>Various Axle</b> 165, 168, 185, 188, 275, 285, 298, 383, 393, 397 T, 397, 575, 590, 592, 595, 595 MKII, 698 T, 698, 699, 1004 T, 1007, 1014, 1024, 1080, 1104, 1114, 1134, 2620, 2625, 2640, 2645, 2680, 2720, 2725, 3070, 3075, 3080, 3085, 3090, 3095, 3115, 3120, 3125, 3610, 3630, 3635, 3645, 3650, 3655, 3680	-	<b>S.22507</b> 1429021M1	30.13 x 92

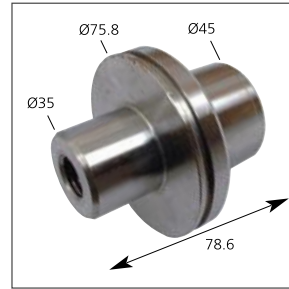




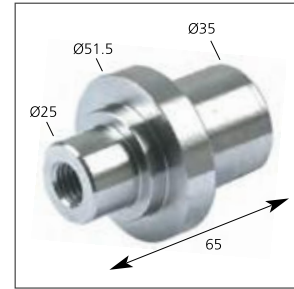
Bearing - Inner	Seal - Inner	O Ring	Seal - Outer	Bearing - Outer	Axle	Applications
1	2	3	4	5		
						<b>Axle Landini</b>
	<b>S.42159</b> 392107X1	<b>S.43313</b> 1441885X1	<b>S.41754</b> 392108X1 34 x 50 x 7mm	<b>S.43332</b> 1823602M1	Cat 1 Cat 2 Cat 2,5	<b>250, 265, 275, 285, 290, 298, 575, 590, 675, 690, 698, 698T, 699, 1004, 1004T</b>
	<b>S.50385</b> 1442250X1		<b>S.50385</b> 1442250X1 50 x 80 x 8mm		Cat 3	<b>(168, 188 1972 Axle), 275, 285, 298, 575, 590, 592, 595, 698, 1080</b>
<b>S.18041</b> 1440912X1	<b>S.50374</b> 395523X1	<b>S.10436</b> 1441546X1			Cat 3	<b>2620, 2625, 2640, 2645, 2680, 2685, 2720, 2725 (3610, 3630, 3650 Turning Angle 40°)</b>
						<b>Axle NG</b>
<b>S.43334</b> 3426938M1	<b>S.41739</b> 3019956X1 / 3429001X1 40x68x14  <b>S.13296</b> 3428064M1, VA126403 40x60x18.5		<b>S.41755</b> 3019957X1 / 3426192M1 40 x 55 x 10mm  <b>S.50311</b> 3429002X1 40 x 55 x 72mm  <b>S.13296</b> 3428064M1, VA126403 40 x 60 x 18.5mm	<b>S.43334</b> 3426938M1	Cat 1 Cat2 Cat 2.5 Cat 3 Cat 3.5 Cat 3.6	<b>340, 350, 355, 360, 362, 365, 375, 390, 390T, 396, 398, 399, 3050, 3060, 3065, 3070, 3075, 3080, 3085, 3090, 3095, 3115, 3120, 3120T, 3125, 3140, (3610, 3630, 3650 Turning Angle 50°), 3635, 3645, 3655, 3660, 3670, 3680, 3690</b>
						<b>Axle AG</b>
					AG65 AG66	<b>240, 253, 263, 342, 352, 362, 362N, 372N, 382N, 4215, 4220, 4225, 4235, 4245, 4315, 4320, 4325, 4335, 4345</b>
<b>S.43333</b> 3428571M1	<b>S.42226</b> 3428521M1		<b>S.42226</b> 3428521M1 35 x 52 x 16mm	<b>S.43333</b> 3428571M1	AG75 AG85 AG105 AG105L	<b>275, 290, 365, 375, 390, 390T, 396, 398, 399, 3050, 3060, 3065, 3075, 3085, 4225, 4235, 4240, 4245, 4255, 4260, 4265, 4270, 4325, 4335, 4345, 4355, 4360, 4365, 4370, 6110, 6120, 6130, 6140, 6150, 6160, 6235, 6245, 6255, 6260, 6265</b>
<b>S.43334</b> 3426938M1	<b>S.13296</b> 3428064M1, VA126403		<b>S.13296</b> 3428064M1, VA126403 40 x 60 x 18.5mm	<b>S.43334</b> 3426938M1	AG125 AG155 AG200	<b>3095, 3120, 3635, 3645, 3655, 3670, 3690, 6170, 6180, 6190, 6270, 6280, 6290, 8110, 8120, 8130, 8140, 8150, 8160</b>
<b>S.43334</b> 3426938M1	<b>S.13296</b> 3428064M1, VA126403		<b>S.43314</b> 3428942M1 55 x 82 x 16.5mm		AG155H AG200H	<b>8210, 8220, 8240, 8250, 8260</b>
			<b>S.57269</b> 3785500M1		Carraro	<b>265, 285, (270, 280 Mexico &amp; South America), 275, 290, 375, 390, 415, 425, 435, 440, 4225, 4235, 4240, 4245, 4255, 4260, 4265, 4270, 4325, 4335, 4345, 4355, 4360, 4365, 4370, 5335, 5340, 5355, 5360, 5365, 5425, 5435, 5445, 5455, 5465, 5465, 6260, 6235, 6245, 6255, 6260, 6265, 6270, 6280, 6290, 6445, 6460, 6465, 6470, 6475, 6480, 7465, 7475, 7480</b>



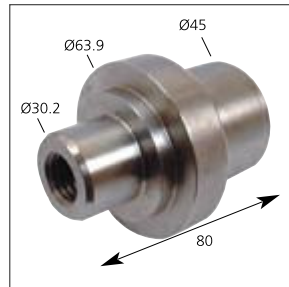
S.42641



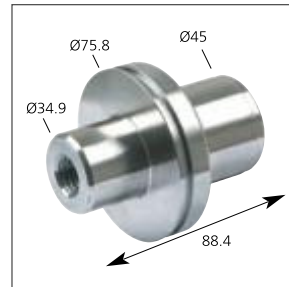
S.42642



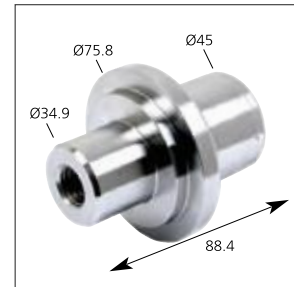
S.43427



S.42643

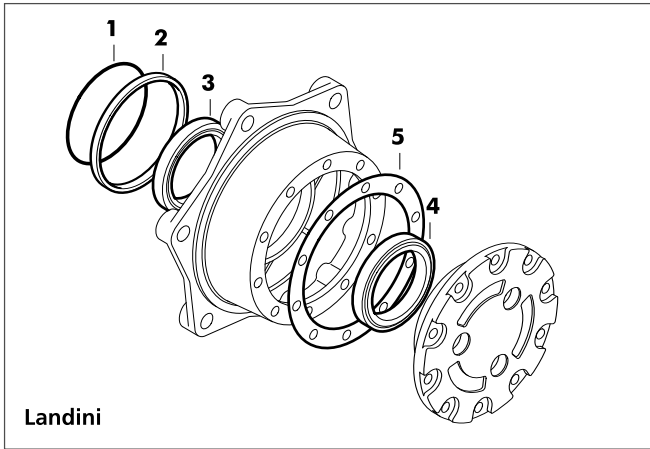


S.43428

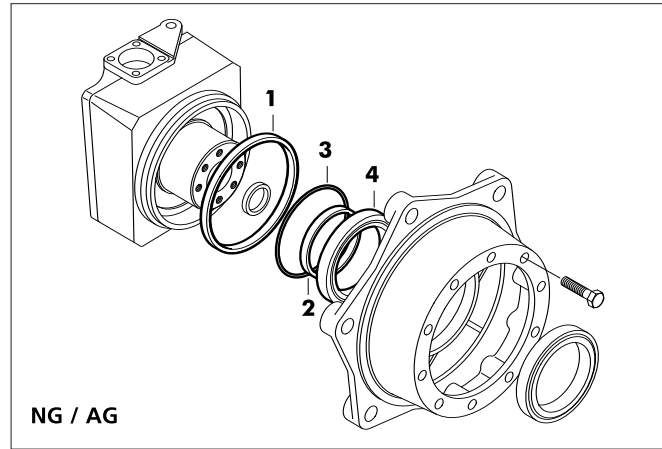


S.43605

Applications	Axle	Pivot Pin - Early	Pivot Pin - Late	Bearing - Early	Bearing - Late	Seal - Early	Seal - Late
<b>Axle Landini</b>		3		1		2	
340, 350, 355, 360, 362, 365, 375, 390, 390T, 396, 3050, 3060, 3065	Cat 1 Cat 2	S.42641 3426523M2 (>03/01/96)		S.41753 1042596M1 3310930M91		S.10395 3009744X1 (>03/01/96)	
398, 698, 698T, 699, 1004, 1004T	Cat 2.5		S.42642 3426332M1		S.42945 3426619M1		S.43311 371153X1
398, 399, 3070, 3075, 3080, 3085, 3090, 3095, 3115, 3120, 3120T	Cat 2.5	S.42642 3426332M1		S.42945 3426619M1		S.43311 371153X1	
(168, 188 1972 Axle), 275, 285, 298, 575, 590, 592, 595, 698, 1080	Cat 3			S.18232 1442253X1		S.10407 1441550X1	
2620, 2640, 2680, 2720	Cat 3		S.42642 3426332M1		S.42945 3426619M1		S.43311 371153X1
2625, 2645, 2685, 2725, 3125, 3140, 3610, 3630, 3635, 3645, 3650, 3655, 3660, 3670, 3680, 3690	Cat 3 Cat 3.5 Cat 3.6	S.42642 3426332M1		S.42945 3426619M1		S.43311 371153X1	
<b>Axle AG</b>							
2342, 352, 362, 362N, 372N, 382N, 4215, 4220, 4225, 4235, 4245, 4255, 4315, 4320, 4325, 4335, 4345, 4355	AG65 AG66	S.43427 3429586M1		S.18213 339482X	S.7785 3009131X1	S.43307 3428972M1	
275, 290, 365, 375, 390, 390T, 396, 398, 399, 4225, 4235, 4240, 4245, 4255, 4260, 4265, 4270, 4325, 4335, 4345, 4355, 4360, 4365, 4370, 6235, 6245, 6255, 6260, 6265	AG75 AG85 AG105 AG105L	S.42643 3429319M1 (>03/01/96)		S.41753 1042596M1 3310930M91		S.43308 3429317M1 (03/01/96>)	
3050, 3060, 3065, 3075, 3085, 6110, 6120, 6130, 6140, 6150, 6160	AG85 AG105	S.42641 3426523M2 (>03/01/96)	S.42643 3429319M1 (>03/01/96)			S.10395 3009744X1 (>03/01/96)	S.43308 3429317M1 (03/01/96>)
3095, 3120, 3635, 3645, 3655, 3670, 3690, 6170, 6180, 6190, 6270, 6280, 6290, 8110, 8120, 8130, 8140, 8150, 8160, 8210, 8220, 8240, 8250, 8260	AG125 AG155 AG200	S.43428 3429910M1 (>03/01/96)	S.43605 3429864M1			S.43311 371153X1	
6190, 6270, 6280, 6290, 8210, 8220, 8240, 8250, 8260	AG125 AG155H AG200H			S.42945 3426619M1 (O/D: 3" ID: 1.375")			



Landini



NG / AG

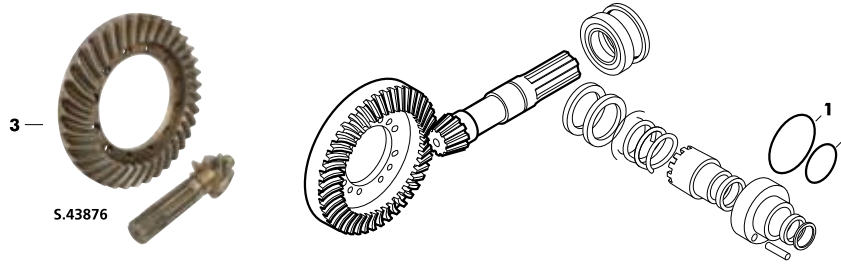
Applications	Axle	O Ring	Oil Seal	Bearing-Inner	Bearing-Outer	Gasket
<b>Axle Landini</b>		<b>1</b>	<b>2</b>	<b>3</b>	<b>4</b>	<b>5</b>
154, 174, 184, 194, 250, 254, 254S, 265, 275, 284S, 285, 290, 575, 590, (675, 690>1984)	Cat 1 Cat 2	<b>S.43338</b> 1442554X1 359216X1 394881X1	<b>S.41606</b> 395527X1 145 x 170 x 13mm	<b>S.18221</b> 391337X1	<b>S.18221</b> 391337X1	
275, 285, 290, 298, 575, 590, 675, 690, 698, 698T, 699, 1004, 1004T	Cat 2 Cat 2.5	<b>S.43338</b> 1442554X1 359216X1 394881X1	<b>S.41606</b> 395527X1 145 x 170 x 13mm	<b>S.18221</b> 391337X1	<b>S.18223</b> 391336X1	<b>S.14952</b> 3900613M2 Loctite J74 Multi Gasket
(168, 188 1972 Axle), 275, 285, 298, 575, 590, 592, 595, 698, 1080	Cat 3				<b>S.18221</b> 391337X1	
2620, 2625, 2640, 2645, 2680, 2685, 2720, 2725 (3610, 3630, 3650 Turning Angle 40°)	Cat 3		<b>S.42158</b> 395521X1 170 x 200 x 15mm			
415, 425, 435, 440, 445, 460, 5335	Carraro 20.14	<b>S.107220</b> VA028668	<b>S.107228</b> 3907166M1	<b>S.7754</b> VA118378	<b>S.7754</b> VA118378	

Applications	Axle	Oil Seal	Hub Sleeve	Oil Seal	Bearing Inner/Outer
<b>Axle NG</b>		<b>1</b>	<b>2</b>	<b>3</b>	<b>4</b>
340, 350, 355, 360, 362, 365, 375, 390, 390T, 396, 3050, 3060, 3065	Cat 1 Cat 2	Early Models <b>S.41738</b> 3019959X1 3429004X1 Late Models <b>S.42227</b> 3429037M1 170 x 195 x 18mm	Late Models <b>S.43321</b> 3429038M1 139 x 144 x 20mm	Late Models <b>S.43323</b> 3428067M1	<b>S.43415</b> 3426850M2
398, 399, 3070, 3075, 3080, 3085, 3090, 3095, 3115, 3120, 3120T, 3125, 3140 3610, 3630, 3650 Turning Angle 50° 3635, 3645, 3655, 3660, 3670, 3680, 3690	Cat 2.5 Cat 3 Cat 3.5 Cat 3.6	<b>S.42157</b> 3429815M1, 190 x 220 x 18mm			<b>S.43416</b> 3426851M2
<b>Axle AG</b>					
240, 253, 263, 342, 352, 362, 362N, 372N, 382N, 4215, 4220, 4225, 4235, 4245, 4315, 4320, 4325, 4335, 4345	AG65 AG66	<b>S.43320</b> 3429167M1 140 x 170 x 20mm	<b>S.43322</b> 3429168M1 165 x 170 x 20mm	<b>S.43324</b> 3429169M1	<b>S.43417</b> 3428271M2 3764595M1
275, 290, 365, 375, 390, 390T, 396, 398, 399, 4225, 4235, 4240, 4245, 4255, 4260, 4265, 4270, 4325, 4335, 4345, 4355, 4360, 4365, 4370	AG75 AG85 AG105 AG105L	<b>S.42227</b> 3429037M1 170 x 195 x 18mm	<b>S.43321</b> 3429038M1 139 x 144 x 20mm	<b>S.43323</b> 3428067M1	<b>S.43415</b> 3426850M2
3050, 3060, 3065, 3075, 3085, 6110, 6120, 6130, 6140, 6150, 6160, 6235, 6245, 6255, 6260, 6265	AG85 AG105	<b>S.43099</b> 3429790M2 165 x 195 x 17mm			<b>S.43415</b> 3426850M2
3095, 3120, 3635, 3645, 3655, 6170, 6180, 6190, 6270, 6280, 6290, 8110, 8120, 8130, 8140, 8210, 8220, 8240	AG125 AG155 AG155H	<b>S.42157</b> 3429815M1 190 x 220 x 18mm			
445, 460, 465, 475, 650	Carraro 2018	<b>S.66320</b> 3523062M1			

# 4WD Crown Wheel & Pinion

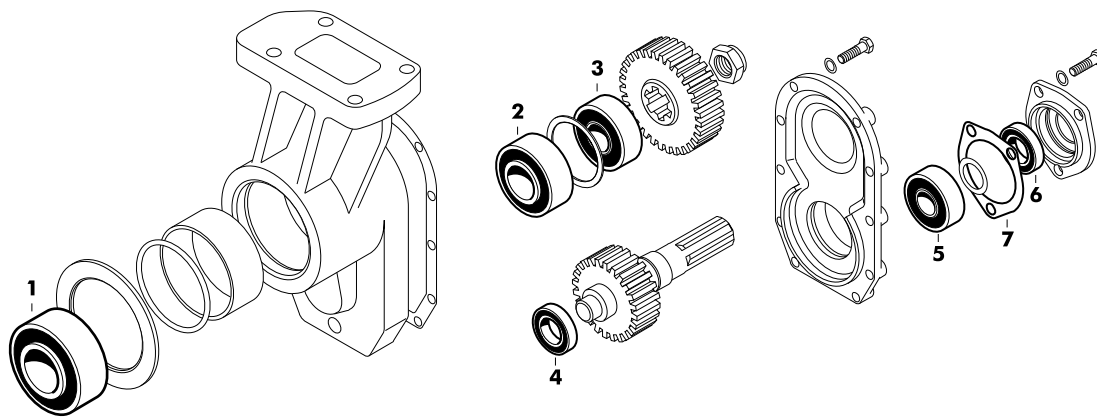
For complete product range...

MF02

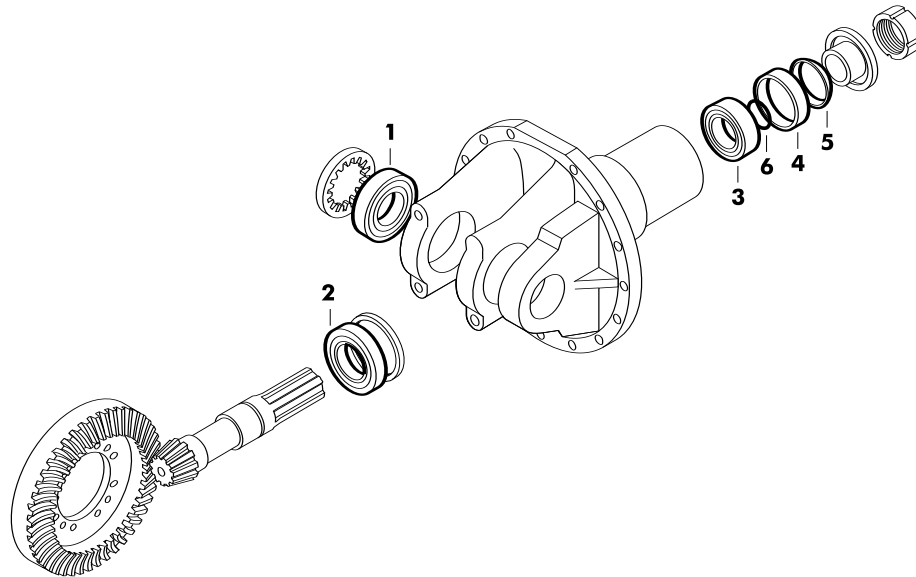


Applications	Axle	O'Ring - Large	O'Ring - Small	Crown Wheel & Pinion
		1	2	3
<b>Axle NG</b>				
(350, 355, 360, 362, 365, 375, 390, 390T, 396 Hydrolock Differential)				
(3050 V393040>), (3060 V266035>), 3065 Hydrolock Differential	Cat 1 Cat 2			
(3070, 3080, 3090 >V272018 No-spin Differential)	Cat 2.5	<b>S.11515</b> 359236X1	<b>S.10398</b> 3019927X1	
(3070, 3080, 3090 V272019>), 3075, 3085, 3095, 3115, 3120, 3120T Hydrolock Differential				
3125, 3140, (3610, 3630, 3650 Turning Angle 50°), 3635, 3645, 3655, 3660, 3670, 3680, 3690	Cat 3 Cat 3.5 Cat 3.6			
<b>Axle AG</b>				
365, 375, 390, 390T, 396, 398, 399, 3050, 3060, 3065, 3075, 3085, 4225, 4235, 4240, 4245, 4255, 4260, 4265, 4270, 4325, 4335, 4345, 4355, 4360, 4365, 4370, 6110, 6120, 6130, 6140, 6150, 6160, 6235, 6245, 6255, 6260, 6265	AG75 AG85 AG105 AG105L			
3095, 3120, 3635, 3645, 3655, 3670, 3690, 6170, 6180, 6190, 6270, 6280, 6290, 8110, 8120, 8130, 8140, 8150, 8160	AG125 AG155 AG200	<b>S.11515</b> 359236X1	<b>S.10398</b> 3019927X1	
8210, 8220, 8240, 8250, 8260	AG155H AG200H			
2655, (270, 280 Mexico & South America only), (275, 290 Turkey), 2855, (275, 375E P12018>), (290, 390E P06156>), (365, 375, 390, 390T B18009>)	AG75 AG85			<b>S.43876</b> 3429465M91

# 4WD Differential - Landini Axle



Tractor Model	Axle	Bearing - Differential	Bearing - Front	Bearing - Rear	Bearing - Front	Bearing - Rear	Oil Seal	Gasket
		1	2	3	4	5	6	7
<b>Axle Landini</b>								
250, 265	Cat 1			<b>S.18262</b> 1820418M1				
275, 285, 290 (France) 575, 590 (675, 690>84 Cat 2)	Cat 2	<b>S.18217</b> 330375X1	<b>S.18263</b> 390876X1	<b>S.43548</b> 1440636X1				
(275, 290, 298 UK) (675, 690>84 Cat2a), (675, 690 84>Cat 2) 698, 698T, 699, 1004, 1004T	Cat 2 Cat 2.5				<b>S.43412</b> 1440627X1	<b>S.27410</b> 339856X1	<b>S.41754</b> 392108X1	<b>S.10402</b> 392022X1
(168, 188 1972 Axle), 275, 285, 298, 575, 590, 592, 595, 698, 1080	Cat 3		<b>S.18265</b> 3304822M91	<b>S.43548</b> 1440636X1	<b>S.18255</b> 1440637X1		<b>S.50280</b> 2714076M1	
2620, 2625, 2640, 2645, 2680, 2685, 2720, 2725 (3610, 3630, 3650 Turning Angle 40°)	Cat 3			<b>S.40907</b> 1850090M92				

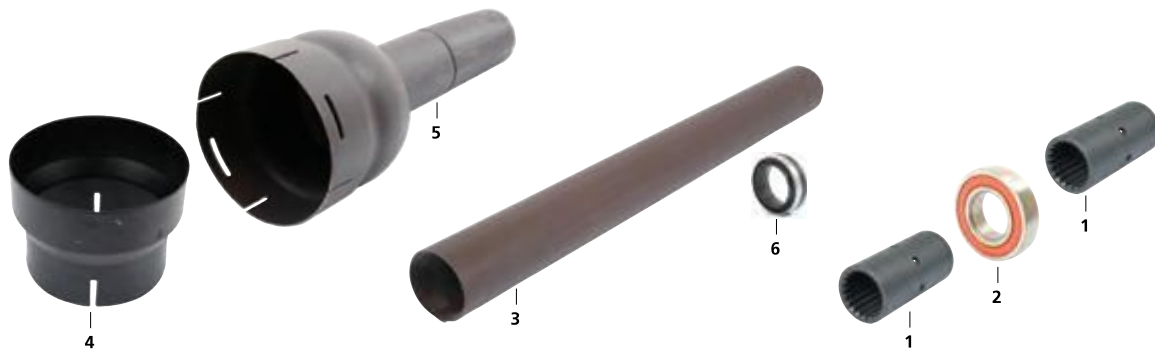


Bearing-Differential	Bearing-Front	Bearing-Rear	Oil Seal	Wiper Seal	O Ring	Axle	Applications
1	2	3	4	5	6		Axle NG
<b>S.18247</b> 391339X1 Later	<b>S.18256</b> 1440642X1	<b>S.18215</b> 339481X1	<b>S.42102</b> 3019967X1 55 x 82 x 9.2 Early	<b>S.42103</b> 3019967X1		Cat 1 Cat 2	<b>340, 350, 355, 360, 362, 365, 375, 390, 390T, 396, 3050, 3060, 3065</b>
		<b>S.18216</b> 339394X1	<b>S.43314</b> 3428942M1 55 x 82 x 16.5 Later			<b>S.43004</b> 366434X1	Cat 2.5
<b>S.18247</b> 391339X1	<b>S.18235</b> 3019932X1 Early	<b>S.18233</b> 1440635X1	<b>S.43003</b> 3019968X1 65 x 82 x 11.2 Early	<b>S.43005</b> 3019970X1		Cat 3 Cat 3.5 Cat 3.6	<b>3125, 3140</b> <b>(3610, 3630, 3650 Turning Angle 50°)</b> <b>3635, 3645, 3655, 3660, 3670, 3680, 3690</b>
	<b>S.18265</b> 3304822M91 Later		<b>S.43304</b> 3428314M1 65 x 92 x 18 Later				
<b>Axle AG</b>							
	<b>S.42945</b> 3426619M1	<b>S.41753</b> 1042596M1 3310930M91				AG65 AG66	<b>240, 253, 263, 342, 352, 362, 362N, 372N, 382N</b>
						AG66	<b>4215, 4220, 4225, 4235, 4245, 4315, 4320, 4325, 4335, 4345</b>
<b>S.18247</b> 391339X1	<b>S.18256</b> 1440642X1	<b>S.18215</b> 339481X1	<b>S.43314</b> 3428942M1			AG75 AG85	<b>275, 290, 365, 375, 390, 390T, 396, 3050, 3060, 3065, 4225, 4235, 4245, 4255, 4260, 4265, 4325, 4335, 4345, 4355, 4360, 6110, 6120, 6140, 6235, 6245</b>
		<b>S.18255</b> 1440637X1				AG105	<b>398, 399</b>
	<b>S.18243</b> 3765690M1	<b>S.18216</b> 339394X1			<b>S.43004</b> 366434X1	AG105 AG105L AG125	<b>3075, 3085, 3095, 3120, 4240, 4245, 4255, 4260, 4265, 4270, 4345, 4355, 4360, 4365, 4370, 6150, 6160, 6170, 6180, 6255, 6260, 6265</b>
	<b>S.18265</b> 3304822M91	<b>S.18233</b> 1440635X1				AG155	<b>3635, 3645, 3655, 8110, 8120, 8130, 8140</b>
			<b>S.43304</b> 3428314M1			AG155 AG155H	<b>6190, 6290, 8210, 8220, 8240</b>
		<b>S.18257</b> 1440648X1 >D355010				AG200 AG200H	<b>3670, 3690, 8150, 8160, 8240, 8250, 8260</b>



Applications	Axle	Ring Gear	Planetary Gear	Sun Gear	Needle Roller Kit (75pcs)
<b>Axle NG</b>		<b>1</b>	<b>2</b>	<b>3</b>	<b>4</b>
<b>390, 390T, 396, 3055, 3060, 3065</b>	Cat 2	<b>S.43424</b> 3426870M2	<b>S.43425</b> 3426730M1	<b>S.43426</b> 3426639M1	<b>S.43419</b> 3426853M3 5 x 34.8mm
<b>340, 350, 360, 362, 365, 375, 3050</b>		<b>S.43326</b> 3426869M1	<b>S.43327</b> 3426729M1	<b>S.43328</b> 3426875M1	<b>S.43418</b> 3426852M3 5 x 23.8mm

## 4WD Couplings & Drive Guard

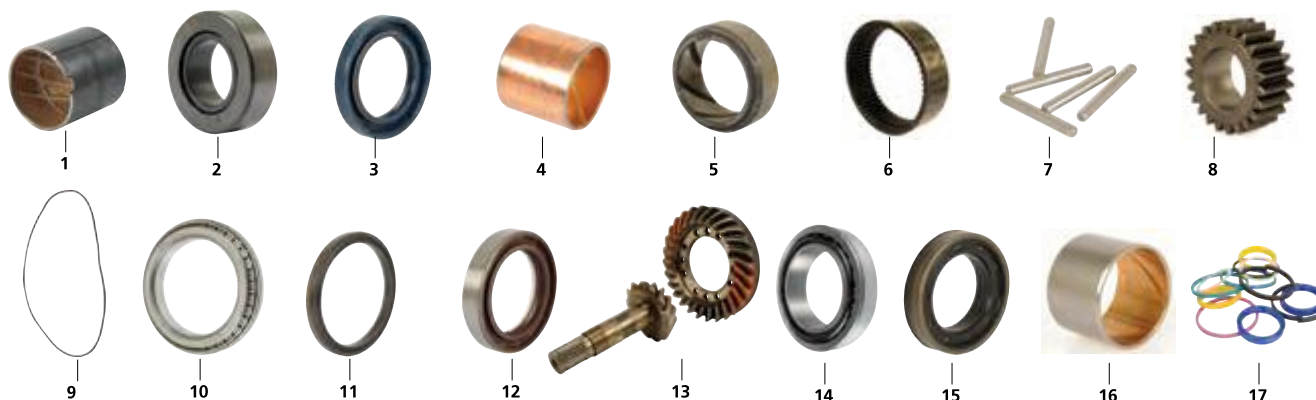


	Description	OEM Ref:	Applications
1	<b>S.74846</b> Sleeve - Coupler 4WD	3380056M1	(275>221522), (290, 298>387020), (575, 590, 592, 595 Later models), (675, 690, 698>84), (2620, 2640, 2680 271212>), 2625, 2645, 2685, 2720, 2725, 3000, (3050, 3060, 3065 Rear fitment only), 3070, 3075, 3080, 3085, 3090, 3095, 3115, 3120, 3125, 3610, 3630, 3635, 3645, 3650, 3655, 3670, 3680, 3690, (6110, 6120, 6130, 6140 Rear fitment only), 6150, 6160, 6170, 6180, 6190
1	<b>S.74847</b> Sleeve - Coupler 4WD	1683341M2	(275 221522>), (290, 298 387021>), (600, 675, 690, 698, 698T 84>) 699, 1004, 1004T
1	<b>S.58700</b> Coupling - Front/Rear 4WD Transmission Shaft	3800250M1	4215, 4220, 4225, 4235, 4240, 4245, 4255, 4260, 4265, 4270, 4315, 4320, 4325, 4335, 4345, 4355, 4360, 4365, 4370
1	<b>S.74848</b> Sleeve - Coupler 4WD	3384857M2	3050, 3060, 3065, 5425, 5435, 5445, 5455, 6120, 6130, 6140, 6235, 6245, 6255, 6445, 6455, 6460, 6470
2	<b>S.43878</b> Spherical Bearing - Outer 4WD (17262072RS) Series: 172 6207. I/D: 35mm. O/D: 72mm. Width: 17mm	1722011M1	165, 168, 178, 188, (275, 285, 290, 298 France), 575, 590, 592, 595, (675, 690>84), 698T, 699, 1004T, 1080
2	<b>S.18433</b> Loose Plummer Block Bearing UC 207 Ø35mm	3386985M1	275, 290, 298, (675, 690 84>), 698T, 699, 1004T, 2620, 2625, 2640, 2645, 2680, 2685, 2720, 2725, 3050, 3060, 3065, 3070, 3075, 3080, 3085, 3090, 3115, 3120, 3120T, 3125, 3140, 3610, 3630, 3650, 3660, 3635, 3645, 3655, 3670, 3680, 3690, 6110, 6120, 6130, 6140, 6150, 6160, 6170, 6180, 6190, 6235, 6245, 6255, 6260, 6265, 6270, 6280, 6290
3	<b>S.43349</b> Guard - Drive Shaft - 4WD	1696550M1	342, 352, 362, 362N, 365, 375, 375E, 372N, 382N, 390, 390T, 398, 396
4	<b>S.43342</b> Guard - Drive Shaft - 4WD	3699054M1, 3774722M1	342, 352, 362, 362N, 365, 375, 375E, 372N, 382N, 390, 390T, 398, 396, 399
5	<b>S.43341</b> Guard - Drive Shaft - 4WD	1688236M93	342, 352, 362, 362N, 365, 375, 375E, 372N, 382N, 390, 390T, 398, 396, 415, 425, 435, 440, 481
6	<b>S.43340</b> Seal - Flange Housing	3599006M1, 3699802M2	340, 342, 350, 352, 355, 360, 362N, (365>B18008), 372N, (375>B18008), 382N, (390, 390T, 398>B18008)
7	<b>S.43877</b> Bearing Bracket - 4WD	658092M1, 909090M1, 909090M2	165, 168, 178, 185, 188, (275, 285, 290, 298 France), 575, 590, 592, 595, (675, 690>84), 698T, 699, 1004T, 1080, 2620, 2625, 2640, 2645, 2680, 2685, 2720, 2725



	Description	OEM Ref:	Applications
S.107225	Axle Pivot Pin	042735P1	(415), (425 4WD >237827), (435 4WD >236060), (440 4WD >236556), (250X Brazil), (265 Brazil), (275 Brazil), (290 Brazil)
S.107224	Axle Pivot Securing Pin	033992P1	(415), (425 4WD >237827), (435 4WD >236060), (440 4WD >236556), (445 4WD >236223), (460 4WD >236903), (481 (Japan Only)), (250X Brazil), (265 Brazil), (275 Brazil), (283 Brazil), (290 Brazil), (292 Brazil)
S.10353	O'Ring 3/32" x 13/8" (Material: Nitrile rubber 70° shore hardness. For general use at temperatures: -40°C to +135°C.). BS126	1441271X1	(250X Brazil), (265 Brazil), (275 Brazil), (283 Brazil), (290 Brazil), (292 Brazil), (297 Brazil), (298 Brazil), (299 Brazil), (415), (425 4WD >237827), (435 4WD >236060), (440 4WD >236556), (445 4WD >236223), (460 4WD >236903), (465 4WD >236367), (475 4WD >238868), (481 (Japan Only)), (492 (Japan Only))
S.43341	Guard - Drive Shaft - 4WD	1688236M93	342, 352, 362, 362N, 365, 375, 375E, 372N, 382N, 390, 390T, 398, 396, 415, 425, 435, 440, 481
S.107233	Axle Pivot Pin Bush	058458P1	(415), (425 4WD >237827), (435 4WD >236060), (440 4WD >236556), (445 4WD >236223), (481 Japan Only)
S.107232	Axle Pivot Pin Bush	058457P1	(415), (425 4WD >237827), (435 4WD >236060), (440 4WD >236556), (445 4WD >236223), (481 Japan Only)
S.56841	U/J 27x81.7MM SELF LUBE Universal Joint - Self Lube. Cup Ø: 27mm. Overall Height: 81.7mm.	1423444M1, 3475808M1	(265 Brazil), (275 Brazil), (425 4WD >237827), (435 4WD >236060), (4WD >236556), (481 Japan Only)

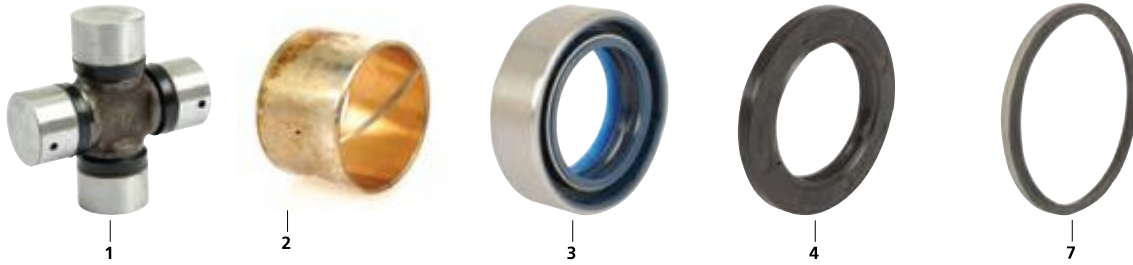
Carraro 20.14 Axle



	Description	OEM Ref:	Applications
1	S.3408 Bush - Front & Rear (Width = 51mm, I/D = 47.6mm, O/D = 52.66mm)	897712M2	65, 765, (175, 178 >724936), (415), (425 4WD >237827), (435 4WD >236060), (440 4WD >236556), (445 4WD >236223)
2	S.65112 Bearing	VA027692	(415), (425 4WD >237827), (435 4WD >236060), (440 4WD >236556)
3	S.107234 Seal S/Shaft Inner (2)	061219R1	(415), (425 4WD >237827), (435 4WD >236060), (440 4WD >236556)
4	S.107239 Side Shaft Inner Bush	VA118504	(415), (425 4WD >237827), (435 4WD >236060), (440 4WD >236556)
5	S.107241 Upper Kingpin Bush	VA144557	(415), (425 4WD >237827), (435 4WD >236060), (440 4WD >236556)
6	S.107242 Front Hub Ring Gear	VA125452	(415), (425 4WD >237827), (435 4WD >236060), (440 4WD >236556)
7	S.107236 Needle Bearings	VA028299	(415), (425 4WD >237827), (435 4WD >236060), (440 4WD >236556)
8	S.107243 Planetary Gears	VA125455	(415), (425 4WD >237827), (435 4WD >236060), (440 4WD >236556)
9	S.107220 Hub O'Ring	VA028668	415, (425 4WD >237827), (435 4WD >236060), (440 4WD >236556)
10	S.7754 Tapered Roller Bearing Timken Type - Cone Cup = JL819349/JL19310	VA118378	315B, 325B, 335B, 345B, (415), (425 4WD >237827), 430, 434, (435 4WD >236060), (440 4WD >236556), 3615, 3625, 3635, 3645, 3655, 5335
11	S.107228 Seal Hub	3907166M1	(415), (425 4WD >237827), (435 4WD >236060), (440 4WD >236556), (445 4WD >236223)
12	S.107223 Transfer Box Seal	VA139420	415, (425 4WD >237827), (435 4WD >236060), (440 4WD >236556)
13	S.107237 C/Wheel & Pinion (Inc Washer+Nut)	061241R1	(425 4WD >237827), (435 4WD >236060), (440 4WD >236556)
14	S.18232 Tapered Roller Bearing I/D = 35mm. O/D = 80mm. Depth = 21mm (Series = 30307)	1442253X1, VA027349	(168, 188 1972 Axle), 275, 285, 298, 575, 415, (425 4WD >237827), (435 4WD >236060), (440 4WD >236556), 590, 592, 595, 698, 1080
15	S.107229 Seal S/Shaft Outer	053965R1, 3785500M1	(415), (425 2WD >238493), (425 4WD >237827), (435 2WD >236860), (435 4WD >236060), (440 2WD >236369), (440 4WD >236556)
16	S.107230 Side Shaft Outer Bush	VA125390	(415), (425 4WD >237827), (435 4WD >236060), (440 4WD >236556)
17	S.107221 Steering Column Repair Kit (4WD)	061233R1	415, (425 4WD >237827), (435 4WD >236060), (440 4WD >236556)

\* Indicates there is no picture available at time of print

MF02



		Description	OEM Ref:	Applications
1	<b>S.33614</b>	Universal Joint 27 x 70.50mm	3429436M1, 040976R1	<b>(290 Brazil), (292 Brazil), (297 Brazil), (298 Brazil), (299 Brazil), 3050, 3060, 3065, 3075, 3085, (445 4WD &gt;236223), (460 4WD &gt;236903), (465 4WD &gt;236367), (475 4WD &gt;238868), 6110, 6120, 6130, 6140, 6235, 6245 AG85 6150, 6160, 6255, 6260, 6265 AG105</b>
2	<b>S.107217</b>	Bush (Carrara 20.18)	040956R1	<b>(445 4WD &gt;236223), (460 4WD &gt;236903), (465 4WD &gt;236367), (475 4WD &gt;238868), (290 Brazil), (292 Brazil), (297 Brazil), (298 Brazil), (299 Brazil)</b>
3	<b>S.107216</b>	Seal (Carrara 20.18)	-	<b>(290 Brazil), (292 Brazil), (297 Brazil), (298 Brazil), (299 Brazil), (445 2WD &gt;BS035008), (445 4WD &gt;236223), (460 2WD &gt;239117), (460 4WD &gt;236903), (465 4WD &gt;236367), (475 4WD &gt;238868)</b>
4	<b>S.107219</b>	Seal (Carrara 20.18)	040948R1	<b>(445 4WD &gt;236223), (460 4WD &gt;236903), (465 4WD &gt;236367), (475 4WD &gt;238868), (290 Brazil), (292 Brazil), (297 Brazil), (298 Brazil), (299 Brazil)</b>
5*	<b>S.43852</b>	Bush (Carrara 20.18)	040953R1	<b>(445 2WD &gt;BS035008), (445 4WD &gt;236223), (460 2WD &gt;239117), (460 4WD &gt;236903), (465 4WD &gt;236367), (475 4WD &gt;238868)</b>
6*	<b>S.43853</b>	Bush (Carrara 20.18)	040968R1	<b>(445 2WD &gt;BS035008), (445 4WD &gt;236223), (460 2WD &gt;239117), (460 4WD &gt;236903), (465 4WD &gt;236367), (475 4WD &gt;238868)</b>
7	<b>S.107215</b>	Seal (Carrara 20.18)	040965R1	<b>(445 4WD &gt;236223), (460 4WD &gt;236903), (465 4WD &gt;236367), (475 4WD &gt;238868), (290 Brazil), (292 Brazil), (297 Brazil), (298 Brazil), (299 Brazil)</b>
8*	<b>S.43854</b>	Bush (Carrara 20.18)	040954R1	<b>(445 2WD &gt;BS035008), (445 4WD &gt;236223), (460 2WD &gt;239117), (460 4WD &gt;236903)</b>
9	<b>S.43856</b>	Bush (Carrara 20.18)	040919R1	<b>(445 2WD &gt;BS035008), (445 4WD &gt;236223), (460 2WD &gt;239117), (460 4WD &gt;236903), (465 4WD &gt;236367), (475 4WD &gt;238868)</b>

Thousands of additional cab related parts available...

Go to [www.sparex.com](http://www.sparex.com)







	Description	OEM Ref:	Applications
10	<b>S.43343</b> Seal Kit - Steering Cylinder 4WD	1749581M91	<b>250, 265, 275, 285, 290, 298, 575, 590, 592, 595, 675, 690, 698T, 698T, 699, 1004, 1004T</b> Landini Axle) Cat1, Cat 2 , Cat 2.5, Cat 3
11	<b>S.42260</b> Seal Kit - Steering Cylinder 4WD	3484807M91	<b>(340, 350, 355, 360, 362, 365, 375, 390, 390T, 396, 398, 399</b> NG Axle) Cat 1, Cat 2 , Cat 2.5
12	<b>S.43344</b> Seal Kit - Steering Cylinder 4WD	3484327M92	<b>(3050, 3060, 360</b> NG Axle) Cat 1, Cat 2 <b>(275, 290, 365, 375, 390, 390T, 398, 399, 3050, 3060, 3065, 4225, 4235, 4245, 4255, 4260, 4265, 4270, 4325, 4335, 4345, 4355, 4360, 4365, 4370, 6110, 6120, 6130, 6140, 6235, 6245</b> AG Axle Pacoma) AG75, AG85, AG105, AG105L
13	<b>S.43430</b> Seal Kit - Steering Cylinder 4WD	3484317M92	<b>(3070, 3075, 3080, 3085, 3090, 3095, 3115, 3120, 3120T</b> NG Axle) Cat 2.5
14	<b>S.43407</b> Seal Kit - Steering Cylinder 4WD	3484624M92	<b>((3125, 3140&gt;R206010), (3610, 3630, 3650</b> Turning Angle 50°), <b>3635, 3645, 3655, 3660, 3670, 3680, 3690</b> NG Axle) Cat 3, Cat 3.5, Cat 3.6 <b>(3635, 3645, 3655, 3670, 3690, (8110, 8120, 8130, 8140</b> AG155>4246BG), <b>(8150, 8160</b> AG200>2020BNG AG Axle) AG155, AG200
15	<b>S.41992</b> Seal Kit - Steering Cylinder	3443433M92	<b>(3125, 3140</b> R26011> NG Axle) Cat 3, Cat 3.5, Cat 3.6
16	<b>S.43431</b> Seal Kit - Steering Cylinder 4WD	3488643M91	<b>240, 253, 263, 342, 352, 362, 362N, 372N, 382N, 4215, 4220, 4225, 4235, 4240, 4245, 4315, 4320, 4325, 4335, 4345</b>
17	<b>S.43432</b> Seal Kit - Steering Cylinder 4WD	3765414M91	<b>(275, 290, 365, 375, 390, 390T, 398, 399, 3050, 3060, 3065, 4225, 4235, 4245, 4255, 4260, 4265, 4270, 4325, 4335, 4345, 4355, 4360, 4365, 4370, 6110, 6120, 6130, 6140, 6235, 6245</b> AG Axle Ognibene) AG75, AG85, AG105, AG105L
18	<b>S.42243</b> Seal Kit - Power Steering Cylinder 2WD	3404477M91	<b>230, 240, 243, 253, 263, 340, 342, 350, 352, 355, 360, 362, 362N, 372N, 4215, 4220, 4315, 4320</b>
19	<b>S.43809</b> Seal Kit (To repair S.60514 & S.60515)	3403916M91	<b>230, 231, 240, 250, 550</b>
20	<b>S.42234</b> Seal Kit - Power Steering Cylinder 2WD	3186966M91	<b>298, 698, 689T, (2620&gt;271212), 2625, 2640, 2645, 2680, 2685, 2720, 2725</b>
21	<b>S.43284</b> Seal Kit - Steering Cylinder 2WD	3484685M91	<b>3050, 3060, 3065, 3070, 6110, 6120, 6130, 6140, 6150</b>
22	<b>S.107250</b> Steering Cylinder Repair Kit	2730954M91	<b>425, 435, 440, 445, 460</b> 2WD
23	<b>S.43289</b> Seal Kit	3900287M91	<b>3075, 3080, 3085, 3090, 3095, 3115, 3120, 3125, 3140, 3635, 3645, 3655, 3660, 3670, 3680, 3690, 6150, 6160, 6170, 6180, 6190, 8110, 8120, 8130, 8140, 8150, 8160</b>
24	<b>S.42175</b> Speedi - Sleeve Kit (Contains: 2 x 3429499M1 Oil Seal, 2 x 3763373M1 Speedi-Sleeve)	3763366M91	<b>(340, 350, 355, 360, 362</b> NG 100S DN), <b>(365, 375</b> NG 100 SDW), <b>(383, 393, 390, 390T, 396</b> NG 200 SD), <b>(398, 399</b> NG 250 SD)
25	<b>S.42176</b> Speedi - Sleeve Kit (Contains: 1 x 3429499M1 Oil Seal, 2 x 3763373M1 Speedi-Sleeve, 1 x 3429501M1 Oil Seal Bush, 1 x 3763372M1 Oil Seal)	3763364M91	<b>(340, 350, 355, 360, 362</b> NG 100S DN), <b>(365, 375</b> NG 100 SDW), <b>(383, 393, 390, 390T, 396</b> NG 200 SD), <b>(398, 399</b> NG 250 SD)

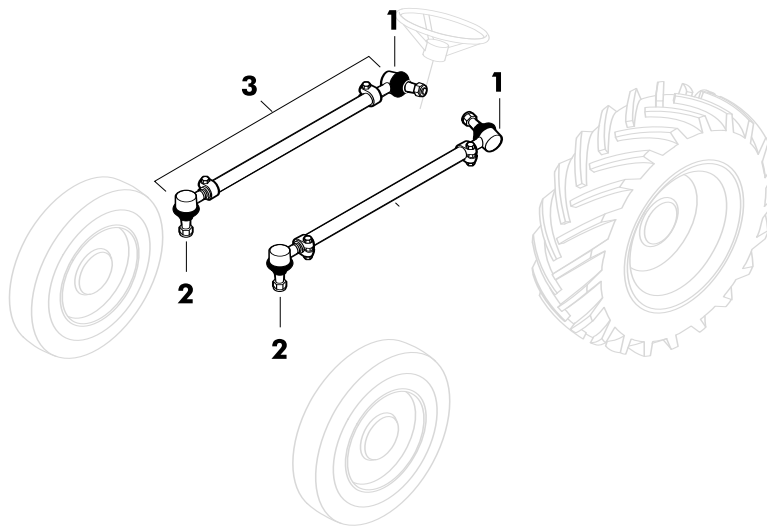


		Description	OEM Ref:	Applications
1	<b>S.40191</b>	Tie Rod Rubber	890124M1	<b>50, 65, 765</b> (Plus various other Models using Tie Rod Rubbers with the following dimensions: 1.80"/46mm Dia x 0.61"/16mm High x 0.64"/16mm Hole)
2	<b>S.40192</b>	Tie Rod Rubber	883475M1	<b>165, 168, 175, 178, 185, 188</b> <b>50, 50B, 50B MKII</b> (Plus various other Models using Tie Rod Rubbers with the following dimensions: 2"/50mm Dia. x 0.85"/22mm High x 0.75"/19mm Hole)
3	<b>S.40193</b>	Tie Rod Rubber	1885486M91	<b>135, 148, 165, 168, 175, 178, 185, 188, 230, 231, 240, 250, 265, 275, 290, 375E, 390E</b> (Plus various other Models using Tie Rod Rubbers with the following dimensions: 1.29"/33mm Dia. x 0.95"/24mm High x 0.51"/13mm Hole)
4	<b>S.41599</b>	Tie Rod End Length: 81.3mm. Rod Ø/Thread: 3/4" UNF-RH. Taper Ø: 17.7mm - 15.5mm. Taper Length: 19mm. Thread Length: 23.4mm. Thread Ø13.8mm	2826260M92	Combine Headers <b>542, 585, 587, 3342</b>
5	<b>S.65948</b>	Dust Seal - Tie Rod End	1688107M1	Various Tie Rod Ends
6	<b>S.63374</b>	Clamp - Tie Rod 30mm	-	Various Models (Check Dimensions)
7	<b>S.63373</b>	Clamp - Tie Rod 27mm	-	Various Models (Check Dimensions)
8	<b>S.63372</b>	Clamp - Tie Rod 22mm	-	Various Models (Check Dimensions)

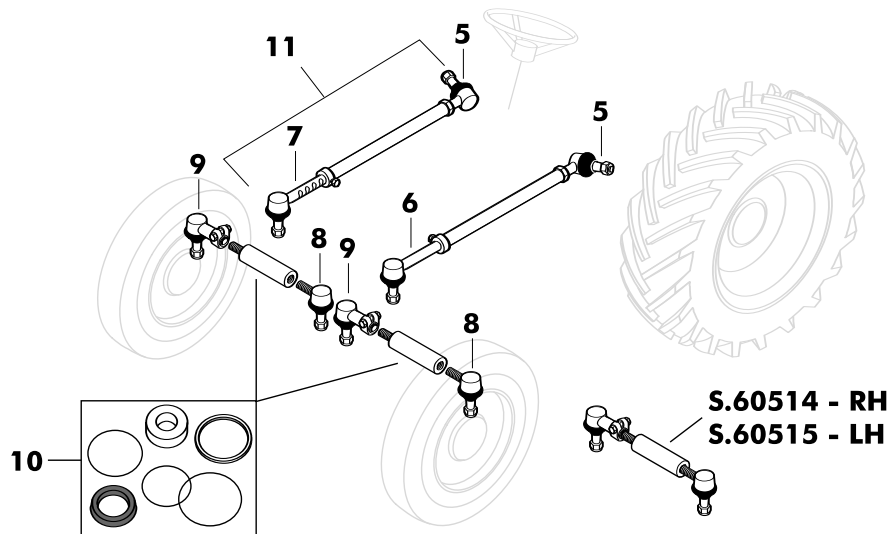
Thousands of additional cab related parts available...

Go to [www.sparex.com](http://www.sparex.com)

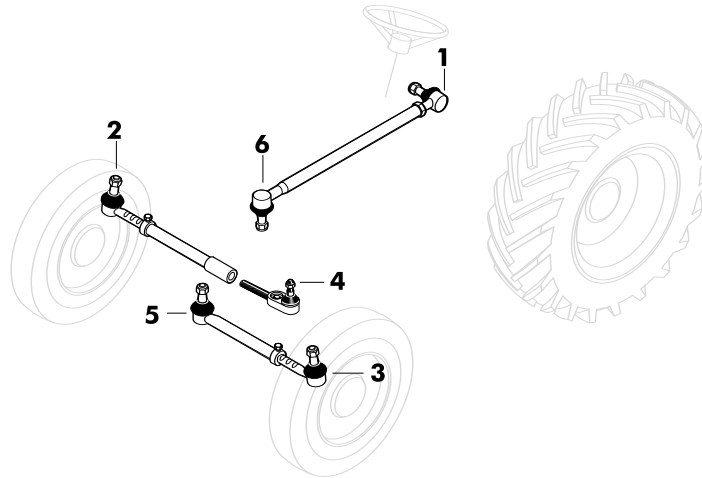




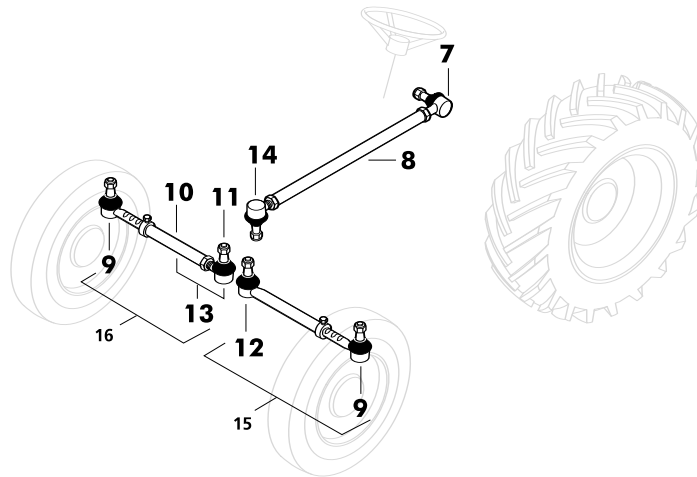
Applications	1	2	3
TEA20, TED20, TEF20	<b>S.42161</b> 893607M1 181582M91	<b>S.41962</b> 126920 825695M91	
FE35, 35, 35X, (135 Swept Back Axle)	<b>S.40167</b> 826752M92	<b>S.40163</b> 1862029M91	<b>S.42632</b> 826749M92



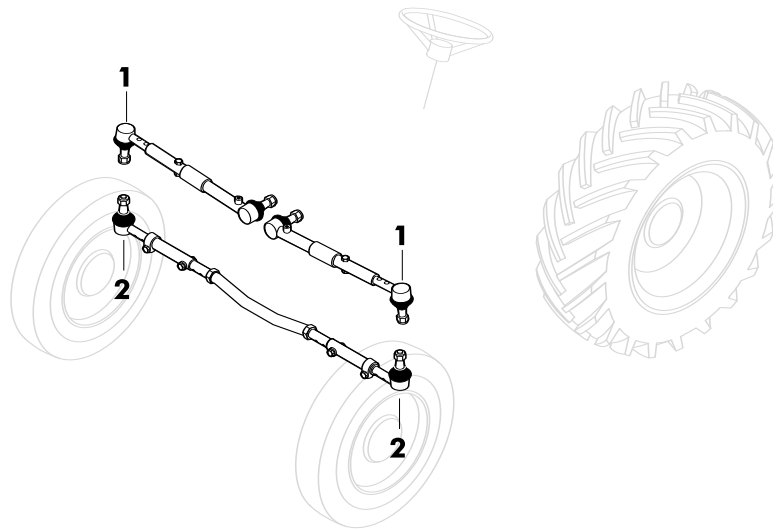
Applications	5	6	7	8	9	10	11
(135 Later Straight Axle), (148, 230, 240, 250 Manual Steering)	<b>S.40167</b> 826752M92	<b>S.40164</b> 1860408M2 L/H	<b>S.40165</b> 1860412M2 R/H				<b>S.42591</b> 1860410M92
(133, 135, 148, 230, 2420, 250 Power Steering), (550 Early Power Steering Cylinder)	<b>S.40167</b> 826752M92	<b>S.41408</b> 1692144M1 L/H	<b>S.41408</b> 1692144M1 R/H	<b>S.40137</b> 1851617M2	<b>S.40136</b> 1851618M2	<b>S.40133</b> 3314663M91	
230, (240>522354, A20286>), 250 Ram Assembly						<b>S.43809</b> 3403916M91	
550						<b>S.43809</b> 3403916M91	



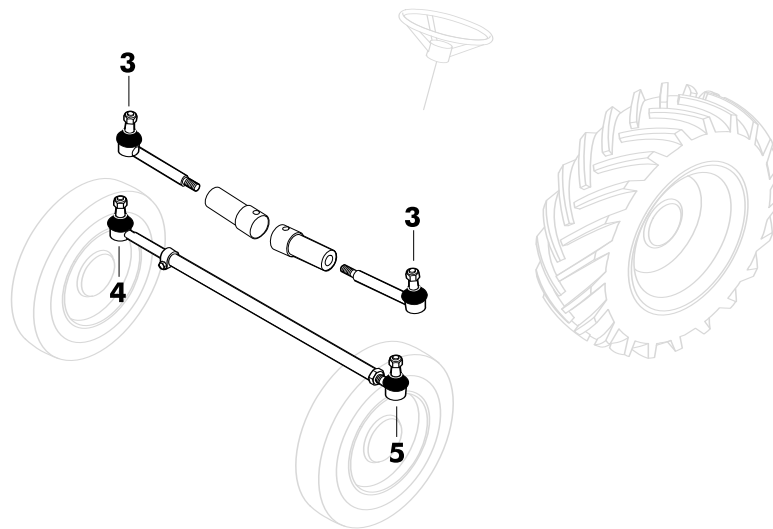
Applications	1	2	3	4	5	6
<b>(65, 765&gt;526080 Normal Duty)</b>	<b>S.40168</b> 884701M92 1821234M91	<b>S.40170</b> 880009M92	<b>S.40169</b> 880008M92	<b>S.40185</b> 182519M91	<b>S.40178</b> 186061M91	<b>S.71266</b> (Weld On)
<b>(65, 765 526081&gt;Heavy Duty)</b>	<b>S.40168</b> 884701M92 1821234M91	<b>S.40175</b> 880010M92	<b>S.40171</b> 894173M91	<b>S.40186</b> 894654M91	<b>S.40179</b> 894125M91	<b>S.71266</b> (Weld On)
<b>(175, 178 Normal Duty)</b>	<b>S.40168</b> 884701M92 1821234M91	<b>S.40170</b> 880009M92	<b>S.40169</b> 880008M92	<b>S.40189</b> 881889M1		<b>S.71266</b> (Weld On)
<b>(175, 178 Heavy Duty)</b>	<b>S.40168</b> 884701M92 1821234M91	<b>S.40175</b> 880010M92		<b>S.40189</b> 881889M1		<b>S.71266</b> (Weld On)



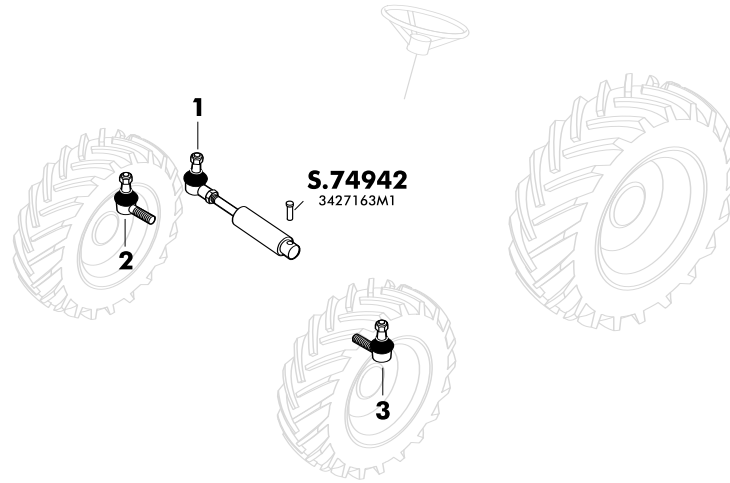
Applications	7	8	9	10	11	12	13	14	15	16
<b>165, 168, 175S, 185, 265, 275, (290 Manual), 375E</b>	<b>S.40168</b> 884701M92 1821234M91	<b>S.40166</b> 884797M91	<b>S.40173</b> 881736M92	<b>S.41402</b> 886801M91	<b>S.40188</b> 886802M91	<b>S.40180</b> 886797M91	<b>S.40187</b> 1810366M91	<b>S.71266</b> (Weld On)		
<b>168MKIII, 175, 178, 188, (290 Power Assisted), 390E</b>	<b>S.40168</b> 884701M92 1821234M91	<b>S.42063</b> 885549M91	<b>S.40173</b> 881736M92	<b>S.41402</b> 886801M91	<b>S.40188</b> 886802M91	<b>S.40180</b> 886797M91	<b>S.40187</b> 1810366M91	<b>S.71266</b> (Weld On)		
<b>(265, 275, 285, 290 Hydrostatic Steering), 565, 575, 590, 675, 690</b>			<b>S.40173</b> 881736M92	<b>S.41402</b> 886801M91	<b>S.40188</b> 886802M91	<b>S.40180</b> 886797M91	<b>S.40187</b> 1810366M91			
<b>165, 168, 185, 188, 265, 275, 290 USA Models Only</b>			<b>S.40176</b> 1028262M91	<b>S.40184</b> 1028099M91	<b>S.40183</b> 1028098M91	<b>S.40190</b> 1028264M91				
<b>425, 435, 440, 445, 460</b>			<b>S.43750</b> 1481537M93		<b>S.63242</b> 1482009M91				<b>S.43749</b> 033907T1	<b>S.43782</b> 033906T1
<b>592, 595, 1080, 1085</b>			<b>S.40177</b> 1028265M92 1807258M1							



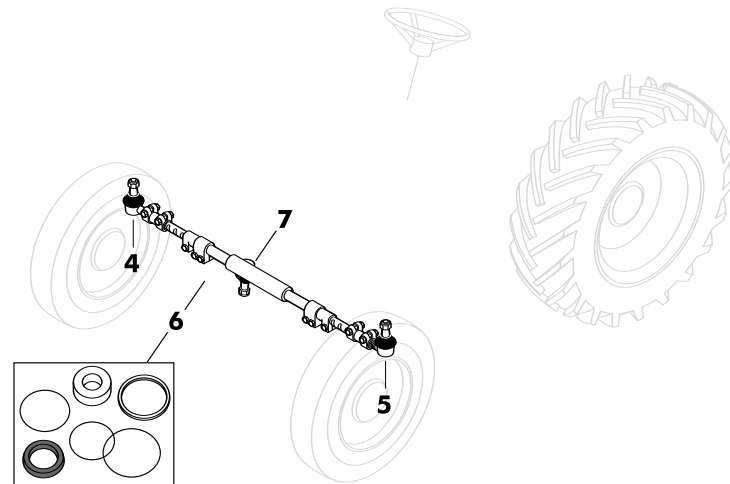
Applications	1	2
298, 299, 698, 698T, 699	<b>S.41720</b> 1678024M1	<b>S.41721</b> 1678023M1



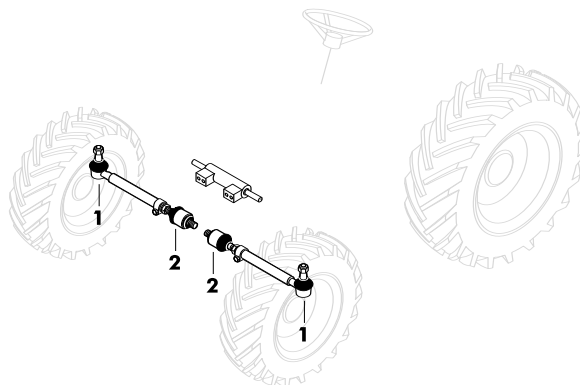
Applications	3	4	5
230, 240, 253, 340, 342, 350, 352, 355, 360, 362, 362N	<b>S.41701</b> 3443036M91	<b>S.41702</b> 3475945M91	<b>S.41703</b> 3475946M91
2620, 2640, 2680, 2720			<b>S.41724</b> 3033244M2



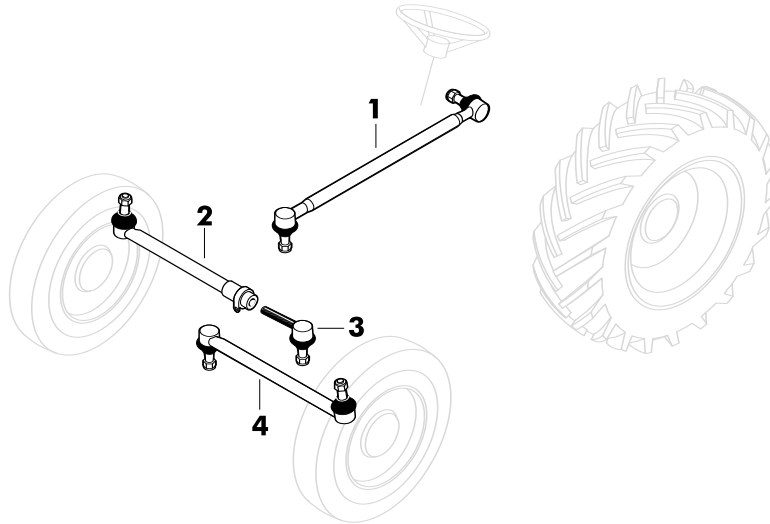
Applications	1	2	3
264T, 364TS, 273, 274SK, 275, 283, 284, 290, 293, 294, 294S, 333, 353, 353S, 354F, 354S, 363, 363S, 363LX, 364F, 364S, 373, 373LX, 373S, 374AQ, 374F, 374S, 377, 383, 383LX, 383S, 384AQ, 384F, 384S, 387, 393, 393LX, 395S, 394AQ, 394F, 394S, 397, 397T, 670, 675, 690, 698, 699, 1007	<b>S.41290</b> 3426660M1 3314437M1	<b>S.40168</b> 884701M92 1821234M91	<b>S.40168</b> 884701M92 1821234M91
	<b>S.42100</b> 1617826M93	<b>S.41708</b> 3426773M1	<b>S.41708</b> 3426773M1
340, 350, 355, 362	<b>S.41706</b> 3427168M2	<b>S.41707</b> 3427685M3	<b>S.41707</b> 3427685M3
365, 375, 390, 390T, 398, 399	<b>S.41706</b> 3427168M2	<b>S.41708</b> 3426773M1	<b>S.41708</b> 3426773M1
2640, 3505, 3525, 3545, (3610, 3630, 3650 V289025>)	<b>S.41290</b> 3426660M1 3314437M1	<b>S.41716</b> 1617829M1	<b>S.41708</b> 3426773M1



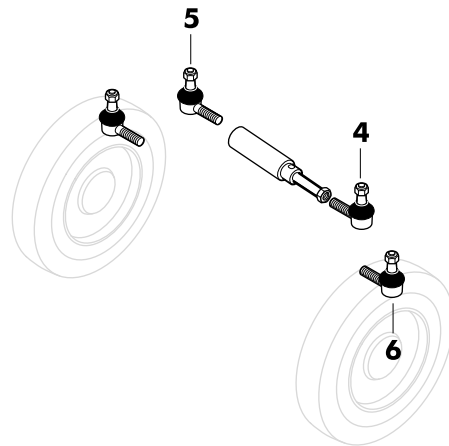
Applications	4	5	6	7
(365, 375, 390, 390T, 398, 399>B18008 Heavy Duty)	<b>S.41719</b> 3599679M91	<b>S.42087</b> 3595527M91		<b>S.43095</b> 1695045M91
(365, 375, 390, 390T, 398, 399 B18008> Heavy Duty), 4225, 4235, 4240, 4245, 4255, 4260, 4265, 4270, 4325, 4335, 4345, 4355, 4360, 4365, 4370, 5335, 4340, 5355, 5360, 5365, 5425, 5435, 5445, 5455, 5460, 6445, 6460, 6470	<b>S.41719</b> 3599679M91	<b>S.41719</b> 3599679M91	<b>S.41992</b> 3443433M92 (PACOMA)	<b>S.43095</b> 1695045M91
3050, 3060, 3065, 3070, 3075, 3080, 3085, 3090, 3095, 3115, 3120, 3125, 3140, 3610, 3630, 3635, 3645, 3650, 3655, 3660, 3670, 3680, 3690	<b>S.41710</b> 3104945M1	<b>S.41710</b> 3104945M1	<b>S.41992</b> 3443433M92 (PACOMA)	
4225, 4235, 4240, 4245, 4325, 4335, 4345				<b>S.43095</b> 1695045M91



Applications	1	2	2	1
<b>(362N, 372N, 382N, 4240, 4315, 4320, 4325, 4335 AG66 Narrow Axle) 342, 352, (4215, 4220, 4225, 4235, 4245, 4255, 4265 AG Narrow Axle)</b>	<b>S.41704</b> 3429173M1 RH Thread M18	<b>S.41705</b> 3428268M1 RH Thread M18 RH Thread M18	<b>S.41705</b> 3428268M1 RH Thread M18 RH Thread M18	<b>S.41704</b> 3429173M1 RH Thread M18
<b>(362N Japan only)</b>	<b>S.43873</b> 3429793M2	<b>S.41705</b> 3428268M1 RH Thread M18 RH Thread M18	<b>S.41705</b> 3428268M1 RH Thread M18 RH Thread M18	<b>S.43873</b> 3429793M2
<b>(362, 4225, 4235, 4240, 4315, 4320, 4325, 4335 AG66 Wide Axle)</b>	<b>S.7810</b> 3428818M2	<b>S.41705</b> 3428268M1 RH Thread M18 RH Thread M18	<b>S.41705</b> 3428268M1 RH Thread M18 RH Thread M18	<b>S.7810</b> 3428818M2
<b>(3050&gt;D066031), (3060, 3065&gt;D030029)</b> Suitable for CAT 1, CAT 2 Axles	<b>S.41711</b> 3426336M1 RH Thread M18	<b>S.65811</b> 061352R1 RH Thread M18 LH Thread M20	<b>S.65811</b> 061352R1 RH Thread M18 LH Thread M20	<b>S.41711</b> 3426336M1 RH Thread M18
<b>3070, (3075&gt;D062001), 3080 (3085&gt;D062001), 3090, (3095&gt;C320038) 3115, (3120&gt;C320038)</b> Suitable for CAT 2.5 Axle	<b>S.41713</b> 3426313M1 RH Thread M18	<b>S.65811</b> 061352R1 RH Thread M18 LH Thread M20	<b>S.65811</b> 061352R1 RH Thread M18 LH Thread M20	<b>S.41713</b> 3426313M1 RH Thread M18
<b>3125, 3610, 3630, (3635, 3645&gt;C278048) 3650, (3655&gt;C278048), (3670&gt;C278014) 3680, (3690&gt;C278014)</b> Suitable for CAT 3.5, CAT 3.6 Axle	<b>S.41714</b> 3426276M1 RH Thread M24	<b>S.65866</b> 3426255M1 RH Thread M24 RH Thread M22	<b>S.65866</b> 3426255M1 RH Thread M24 RH Thread M22	<b>S.41714</b> 3426276M1 RH Thread M24
<b>(365, 375, 390, 390T B18009&gt;), 396 (3050 D066032&gt;), (3060, 3065 D030030&gt;) (4225, 4235, 4245, 4255, 4260, 4265 4270 AG85 Axle), 6110, 6120, 6130, 6140</b> Suitable for AG75-AG85 Axle	<b>S.70598</b> 3764027M2 RH Thread M18	<b>S.65811</b> 061352R1 RH Thread M18 LH Thread M20	<b>S.65811</b> 061352R1 RH Thread M18 LH Thread M20	<b>S.70598</b> 3764027M2 RH Thread M18
<b>398, 399, (3075, 3085 D062002&gt;) (4245, 4255, 4260, 4265, 4270 AG105 Axle) 6150, 6160</b> Suitable for AG105 Axle	<b>S.70599</b> 3764028M2 RH Thread M18	<b>S.65811</b> 061352R1 RH Thread M18 LH Thread M20	<b>S.65811</b> 061352R1 RH Thread M18 LH Thread M20	<b>S.70599</b> 3764028M2 RH Thread M18
<b>415, 425, 435, 440</b>	<b>S.43752</b> 061351R1	<b>S.65811</b> 061352R1	<b>S.65811</b> 061352R1	<b>S.43752</b> 061351R1
<b>(3095, 3120 C320039&gt;), 6170, 6180</b> Suitable for AG125 Axle	<b>S.70600</b> 3764024M1 RH Thread M24	<b>S.65866</b> 3426255M1 RH Thread M24 RH Thread M22	<b>S.65866</b> 3426255M1 RH Thread M24 RH Thread M22	<b>S.70600</b> 3764024M1 RH Thread M24
<b>(3635, 3645, 3655&gt;E010033) (8110, 8120, 8130, 8140&gt;E010033)</b> Suitable for AG155 Axle with early axle serial no >C278049	<b>S.70602</b> 3764132M1 RH Thread M24	<b>S.65866</b> 3426255M1 RH Thread M24 RH Thread M22	<b>S.65866</b> 3426255M1 RH Thread M24 RH Thread M22	<b>S.70602</b> 3764132M1 RH Thread M24
<b>(3635, 3645, 3655 E010034&gt;), 6190 (8110, 8120, 8130, 8140 E010034&gt;)</b> Suitable for AG155 Axle with later axle serial no C278050>	<b>S.70601</b> 3764286M1 RH Thread M24	<b>S.65866</b> 3426255M1 RH Thread M24 RH Thread M22	<b>S.65866</b> 3426255M1 RH Thread M24 RH Thread M22	<b>S.70601</b> 3764286M1 RH Thread M24
<b>(3670, 3690 C278015&gt;), 8150, 8160</b> Suitable for AG200 Axle	<b>S.70603</b> 3429731M1 RH Thread M24	<b>S.65866</b> 3426255M1 RH Thread M24 RH Thread M22	<b>S.65866</b> 3426255M1 RH Thread M24 RH Thread M22	<b>S.70603</b> 3429731M1 RH Thread M24
<b>(4225, 4235, 4245, 4255, 4265, 4325, 4335, 4345, 4355 AG66 Axle)</b>	<b>S.43873</b> 3429793M2	<b>S.41705</b> 3428268M1	<b>S.41705</b> 3428268M1	<b>S.43873</b> 3429793M2
<b>(4225, 4235, 4245, 4255, 4265, 4325, 4335, 4345, 4355 AG85 Axle)</b>	<b>S.43874</b> 3429938M2	<b>S.41712</b> 3426312M1	<b>S.41712</b> 3426312M1	<b>S.43874</b> 3429938M2



Applications	1	2	3	4
Industrial 50, 50B, 50BMKIII	<b>S.40166</b> 884797M91	<b>S.42105</b> 847440M91	<b>S.40188</b> 886802M91	<b>S.42104</b> 847423M91
Industrial (50D, 50E, 50H, 50HX, 60H 2WD)			<b>S.40168</b> 884701M92 1821234M91	



Applications	4	5	6
410, 415, 510, 515, 520, 525, 530, 530S, 535, 560, 565, 620, 625, 660, 665, 800, 805, 810, 815, 820, 825, 830, 835, 840, 845	<b>S.40168</b> 884701M92 1821234M91		<b>S.40168</b> 884701M92 1821234M91
520, 525, 530, 530S, 535, 560, 565, 620, 625, 660, 665, 800, 805, 810, 815, 820, 825, 830, 835, 840, 845		<b>S.40168</b> 884701M92 1821234M91	