

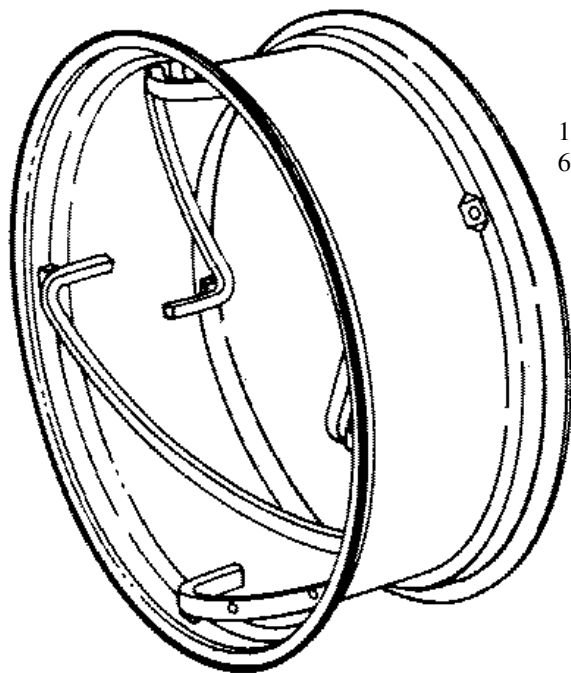
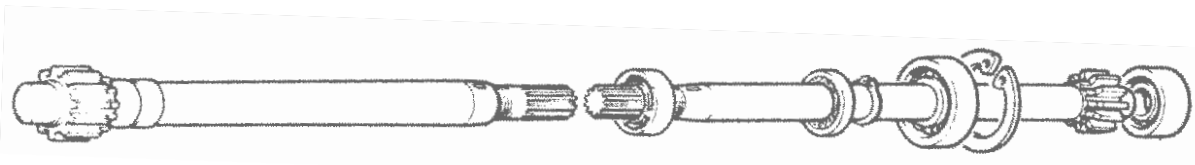
30-3030121
 31-2902231
 72090076
 72091892
 72090424
72090424V
 40000382

31-2902121
72091896
 31-2902233 Axle
 LH 2 1/8" Gear Width
 31-2904988 Axle
 LH 2 1/2" Gear Width

672178A
 672414A
 31-2902232 Axle
 RH 2 1/8" Gear Width
 31-2904987 Axle
 RH 2 1/2" Gear Width

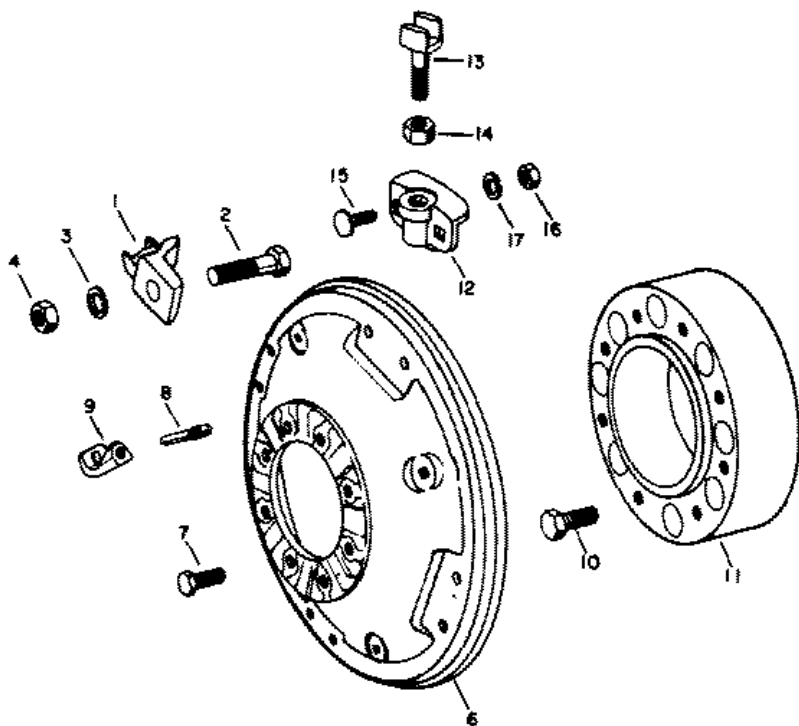
672170A
 33-0007064
 3619718M1
3704946M1

30-3012328
 72094410
 72094425
72092847

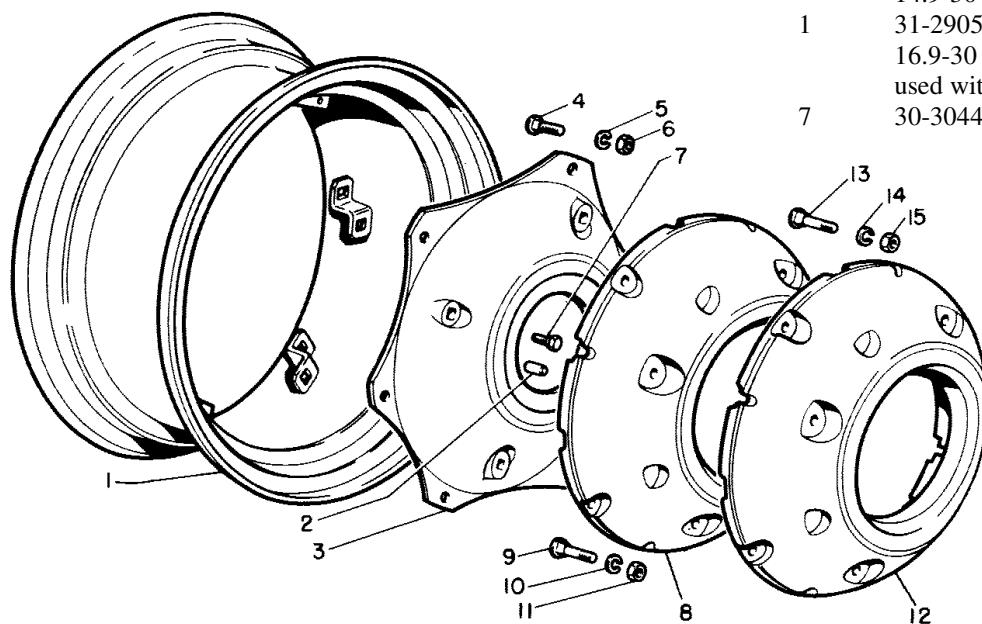


156072A
 673230A

Rim 28 - Tire
 Rim 30 - Tire



- | | | |
|----|----------------------------|-----------------|
| 1 | 160292A | adjuster |
| 6 | 100087A | disc 28 - Tire |
| 6 | 673204A | disc 30 - Tire |
| 7 | H706 | bolt 28 - Tire |
| 7 | 673211A | bolt 30 - Tire |
| 8 | 100094A | screw |
| 9 | 100093A | stop |
| 12 | 100088A | body 28 - Tire |
| 13 | 100089A | screw 28 - Tire |
| 14 | 100090A | nut 28 - Tire |
| 15 | 100091A | bolt 28 - Tire |
| 16 | 100092A | nut 28 - Tire |
| | 673212A | weight |
| | 90 lbs each - Power Adjust | |
| | 100048AS | weight |
| | 85 lbs each - Power Adjust | |



- | | | |
|---|---------------------------------------|----------------|
| 1 | 30-3012743 | rim |
| | 13.6/12-28 | Tire |
| 1 | 30-3012751 | rim |
| | 14.9/13-28 | Tire |
| 1 | 677830A | rim |
| | 14.9-30 and 16.9-30 | Tire |
| 1 | 31-2905307 | rim |
| | 16.9-30 | Tire |
| | used with reinforced side final drive | |
| 7 | 30-3044300 | screw, tapered |