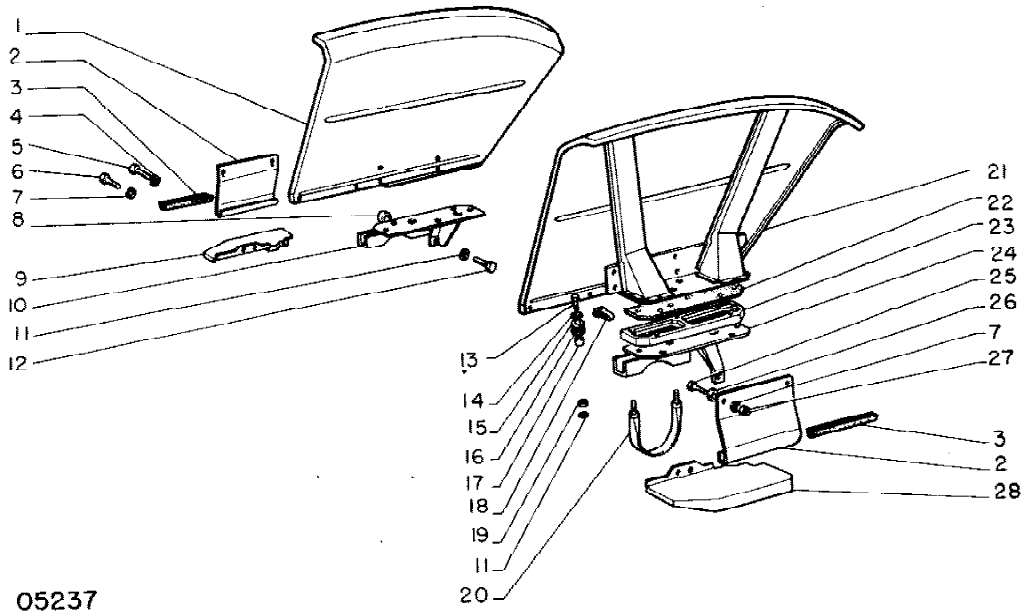


WHEEL GUARDS AND PLATFORMS



05237

1265 TRACTOR AND 1270 TRACTOR - OLIVER
 Figure 126: WHEEL GUARDS AND PLATFORMS

1	677654A	1	Wheel Guard - Right (S/N 000001 -)
2	677646AS	2	Plate (Includes Ref. No. 3) (S/N 000001 - 310480)
2	31-2902192	2	Plate (Includes Ref. No. 3) (S/N 310481 -)
2	677653AS	2	Plate (Includes Ref. No. 3) (Use With 11 - 32 And 11 - 38 Tires) (S/N 000001 - 310480)
2	31-2902193	2	Plate (Includes Ref. No. 3) (Use With 11 -32 And 11-38 Tires) (S/N 310481 -)
3	677650A	2	Protection (S/N 000001 -)
4	672023A	2	Lock Washer (S/N 000001 -)
5	672368A	2	Cap Screw (S/N 000001 -)
6	677656A	4	Cap Screw (S/N 000001 -)
7	672022A	17	Lock Washer (S/N 000001 -)
8	672504A	4	Washer (S/N 000001 -)
9	677641A	1	Platform - Right (S/N 000001 - 310480)
9	31-2902188	1	Platform - Right (S/N 310481 -)
10	677644A	1	Reinforcement - Right (S/N 000001 - 310480)
10	31-2902190	1	Reinforcement - Right (Alternate 31-2902194) (S/N 310481 -)
10	31-2902194	1	Reinforcement - Right (Use With 11-32 And 13-28 Tires) (S/N 310481 -)
11	672024A	6	Lock Washer (S/N 000001 -)
12	674318A	2	Cap Screw (S/N 000001 -)
13	676632A	10	Cap Screw (S/N 000001 -)
13	677657A	10	Cap Screw (With 677643A Spacer) (S/N 000001 -)
14	675969A	10	Lock Washer (S/N 000001 -)
15	677648A	8	Washer (S/N 000001 -)
16	677647A	10	Pad (S/N 000001 -)
17	677649A	10	Spacer (S/N 000001 -)
18	677652A	2	Plate - Ground (S/N 000001 -)
19	672224A	4	Nut (S/N 000001 -)
20	670279A	2	Bracket (S/N 000001 -)
21	677655A	1	Wheel Guard - Left (S/N 000001 -)
22	677651A	2	Plate (S/N 000001 -)
23	677643A	2	Spacer (S/N 000001 -)
24	677645A	1	Reinforcement - Left (S/N 000001 - 310480)
24	31-2902191	1	Reinforcement - Left (Alternate 31-2902195) (S/N 310481 -)

1265 TRACTOR AND 1270 TRACTOR - OLIVER
Figure 126: WHEEL GUARDS AND PLATFORMS

24	31-2902195	1	Reinforcement - Left - Use With 11-32 And 13-28 Tires (S/N 310481 -)
25	672360A	10	Cap Screw (S/N 000001 -)
26	672246A	4	Washer (S/N 0000001 -)
27	672226A	4	Nut (S/N 000001 -)
28	677642A	1	Platform - Left (S/N 000001 - 310480)
28	31-2902189	1	Platform - Left (S/N 310481 -)