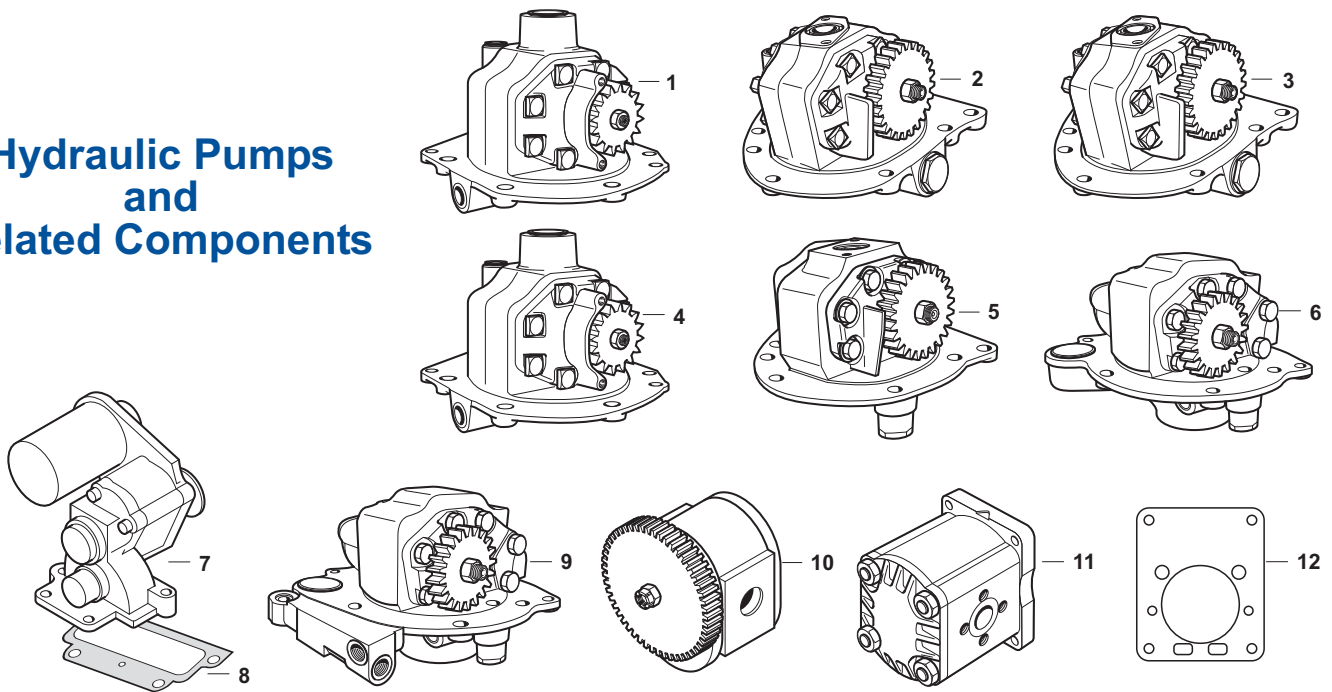
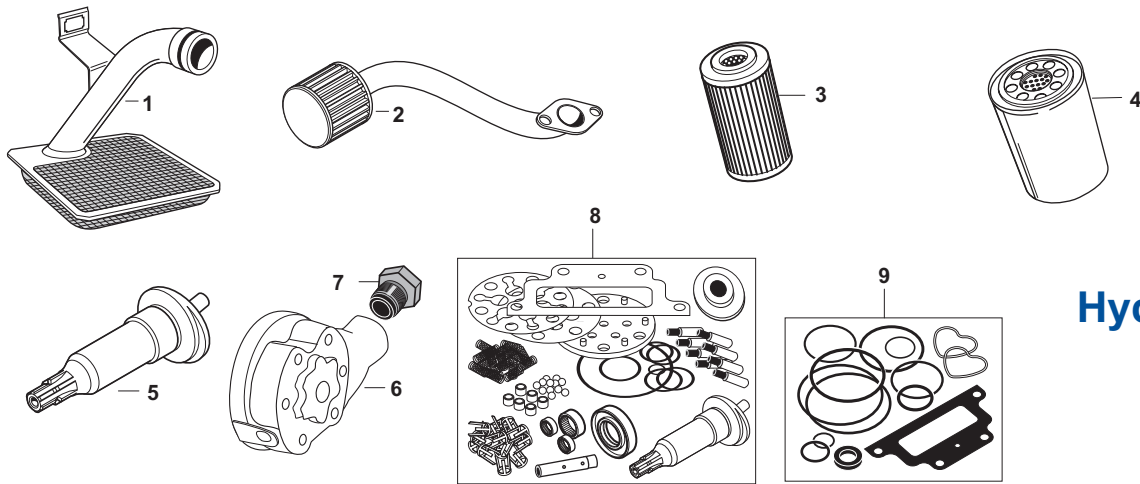


Hydraulic Pumps and Related Components



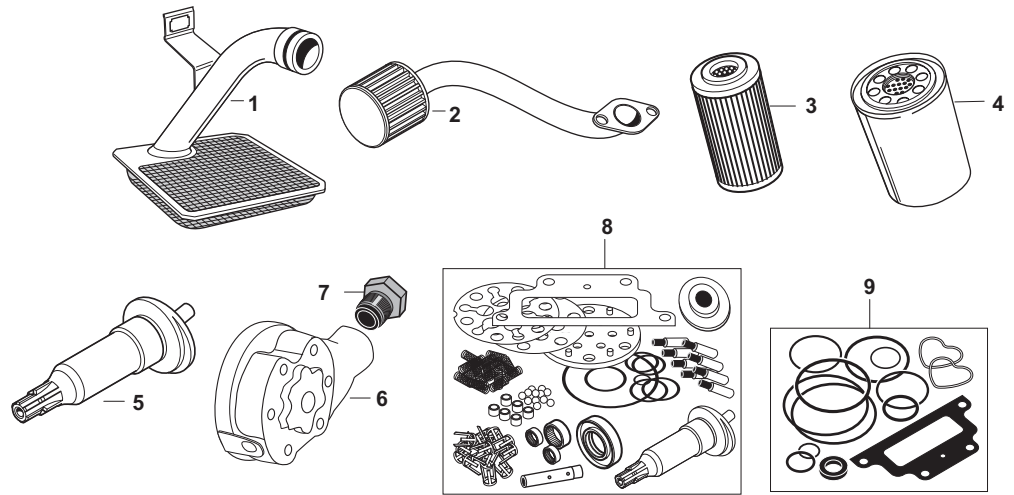
| Our # | DESCRIPTION | EQUIVALENT | TRACTOR MODEL |
|-------|--|------------------------|--|
| 1 | R65382 Hydraulic Pump - Gear Type | D0NN600F | 4000, Ind. 3550, 4400, 4500 |
| 2 | R65383 Hydraulic Pump - Gear Type | D0NN600G | (5000, 7000 Less Dual Power), (5900 85-11/87) |
| 3 | R65386 Hydraulic Pump - Gear Type | D2NN600B | (5000, 7000 w/ Dual Power) |
| 4 | R65381 Hydraulic Pump - Gear Type | D8NN600LB | 3900, 4100, 4600, 2810, 3910, 4110, 4610, (3230, 3430, 3930, 4130, 4630, 4830, 5030 less Syncro Transmission), Ind. 250C, 260C, 340, 340A, 340B, 345, 345C, 345D, 420, 445, 445A, 445C, 445D, 450, 515, 532, 535, 540, 540A, 540B, 545, 545A, 545C, 545D |
| 5 | R65384 Hydraulic Pump - Gear Type | D8NN600KB | (5600, 6600, 6700, 7600, 7700 w/ or w/out Dual Power) |
| 6 | R65385 Hydraulic Pump - Gear Type | E0NN600AC | (5900 12/87->), 5610, 5610S, 6610, 6610S, 6710, 6810, 7610, 7610S, 7710, 7810, 7810S, 7910, 8010, 8210 |
| 7 | R66184 Hydraulic Pump - Gear Type (Engine Mounted) | E1NN600AB | 2600, 3600, 2310, 2610, 3610, 5610, 5610S, 6610, 6610S, 6710, 6810, 7610, 7610S, 7710, 7810, 7810S, 7910, 8010, 8210, 8530, 8630, 8730, 8830, TW5, TW15, TW25, TW35, Ind. 231, 234, 333, 335, 531 |
| 7 | R66180 Hydraulic Pump - Gear Type (Engine Mounted) | E2NN600AB | (2810, 2910, 3910, 4110, 4610 4/83->), (3230, 3430, 3930, 4130, 4630, 4830, 5030 Auxiliary), Ind. (345C, 345D, 445C, 445D, 545D Auxiliary), 540, 540A, 540B, 545, 545A |
| 8 | R65909 Gasket (Pump Mount) | E4NN911AA C5NN911A | Engine Mounted Pumps |
| 9 | R66326 Hydraulic Pump - Gear Type | F0NN600BB | 5640, 6640, 7740, 7840, 8240, 8340, TS90, TS100, TS110 |
| 10 | R66057 Hydraulic Pump (20 GPM) | E2NN600BA D8NN600GA | 8530, 8630, 8730, 8830, TW5, TW10, TW15, TW20, TW25, TW30, TW35 |
| 11 | R62214 Hydraulic Pump (32 L/Min) CC Rotation | 5179719 | 3010S |
| 11 | R62215 Hydraulic Pump (42 L/Min) CC Rotation | 5179714 5129488 | 3010S, 4330 Vineyard |
| 12 | R62598 Gasket Use w/ R62214, R62215 | 4850986 4607590 | 3010S, 4330 Vineyard |



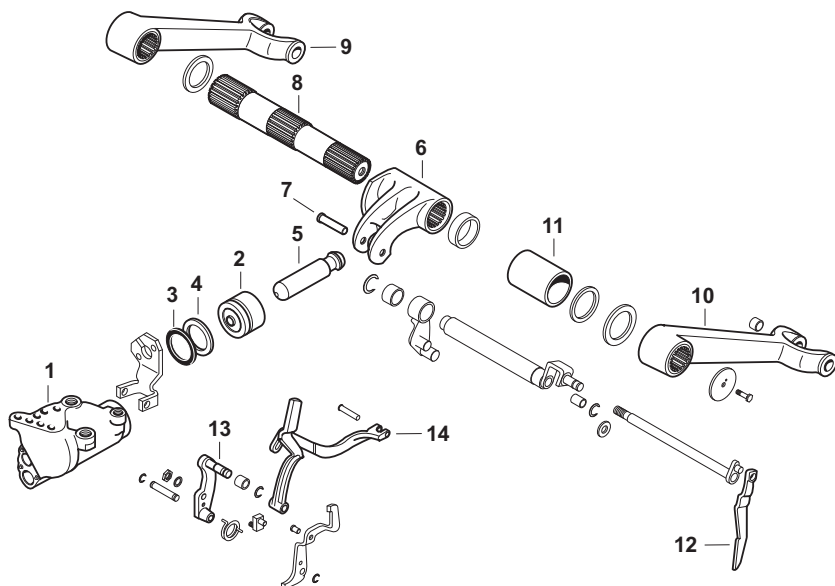
Hydraulic Pump Components

| Our # | DESCRIPTION | EQUIVALENT | TRACTOR MODEL |
|-------|---|--|--|
| 1 | R65773 Strainer & Tube Assembly | C5NNN994L | (4000 w/ Ind. PTO), Ind. (3550, 4400, 4500 w/ Ind PTO) |
| 2 | R65393 Strainer & Tube Assembly | C5NNN994J | (5000 less Dual Power), 5900 |
| 3 | R66182 Filter - Steel Mesh Type | C5NNN832B | 2000, 3000, 4000, 2600, 3600, 3900, 4100, 4600, 5600, 6600, 6700, 7600, 7700, Ind. 231, 233, 333, 335, 3400, 3500, 3550, 420, 4400, 4500, 515, 531, 532, 535 |
| 3 | R66183 Filter - Steel Mesh Type (4" x 2 1/2" Dia) | C5NNN832C | (5000, 7000 less Load Monitor), 5900 |
| 4 | R65761 Hydraulic Filter - Spin-on (3.79" OD, 1 1/8"-16 ID, 6.42" Ht) | D8NNB486CA D8NNB486AA D6NNB486A | 2600, 3600, 3900, 4100, 4600, 5600, 5900, 6600, 6700, 7600, 7700, 2310, 2610, 2810, 2910, 3610, 3910, 4110, 4610, 5610, 6610, 6710, 6810, 7610, 7710, 7810, 7910, 8210, (5610S, 6610S, 7610S, 7810S), 3230, 3430, 3930, 4130, 4630, 4830, 5030, (8530, 8630, 8730, 8830, TW5, TW15, TW25, TW35 Engine Mount), Ind. 231, 233, 234, 250C, 260C, 333, 334, 335, 345C, 345D, 340, 340A, 340B, 420, 445, 445A, 445C, 445D, 450, 455C, 455D, 515, 531, 535, 540, 540A, 540B, 545, 545A, 545C, 545D |
| 4 | R76531 Hydraulic Filter - Spin-on (3.81" OD, 1"-12 ID, 6.78" Ht) | 86546610 D8NNF933AC | (5000, 7000 71->), (8000, 8600, 8700, 9000, 9600, 9700, TW5, TW10, TW15, TW20, TW25, TW30, TW35, 8530, 8630, 8830 Mounts Horizontal) |
| 4 | R76412 Hydraulic Filter - Spin-on (5.05" OD, 1 1/2"-16 ID, 6.99" Ht) | D8NNM903FA D8NNM903EB D8NNM903AA | (8000, 8600, 8700, 9000, 9600, 9700 Intake), 8530, 8630, 8730, 8830 TW5, TW10, TW15, TW20, TW25, TW30, TW35 |
| 4 | R76698 Hydraulic Filter - Spin-on (3.83" OD, 1 3/8"-12 ID, 9.44" Ht) | 9821387 81863799 | (5640, 6640, 7740, 7840, 8240, 8340 Charge Pump), 8160, 8260, 8360, 8560, (8670, 8770, 8870, 8970 Oil Cooler) |
| 4 | R76539 Hydraulic Filter - Spin-on (3.69" OD, 1 1/8"-16 ID, 6.63" Ht) | F0NNB486AA | (5640, 6640, 7740 Auxiliary Pump-Engine Mounted), (7840, 8240, 8340 w/ 8x2 or 16x4 Trans), TS90, TS100, TS110 Auxiliary Pump-Engine Mounted) |
| 4 | R76803 Hydraulic Filter - Spin-on (5 3/8" OD, 1 3/4" ID, 9 1/2" Ht) | F0NNB486BB | (5640, 6640, 7740, 7840, 8240, 8340, 8160, 8260, 8360, 8560 TS90, TS100, TS110 Intake Filter) |
| 4 | R76405 Hydraulic Filter - Spin-on | 9821388 | (8670, 8770, 8870, 8970 to Pump), 555E, 575E, 655E, 675E |
| 4 | R62225 Hydraulic Filter - Spin-on (4.44" OD, 1 1/8"-16 ID, 5.94" Ht) | 1909130 | 3010S, 3830 Orchard, 4330 Vineyard, 4430 Orchard |

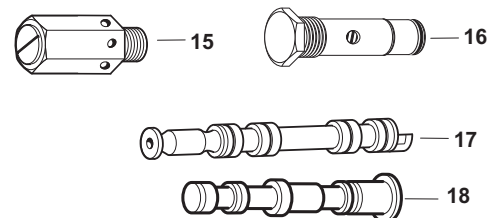
Hydraulic Pump Components



| Our # | DESCRIPTION | EQUIVALENT | TRACTOR MODEL |
|-------|--|------------|--|
| 5 | R65429 Wobble Shaft - Keyed Engine Mounted - Piston Pump | C5NN966A | 2000, 3000, 4000, 2600, 2310, 2610, 3610, Ind. 230A, 231, 233, 211LCG, 3400, (3500, 3550 less Ind. PTO), 333, 335, 340, 340A, 420, 445, (4400, 4500 less Ind. PTO), 530A, 515, 531, 532 |
| 6 | R66591 End Cover - Threaded for Compression Nut | C7NN893C | (2000, 3000, 4000 10/69->), Ind. 2110LCG, 3400, (3500, 3550, 4400, 4500 less Ind PTO) |
| 7 | R66498 Compression Nut Assembly | C7NNH856C | (2000, 3000, 4000 10/89->), Ind. 2110LCG, 3400, (3500, 3550, 4400, 4500 less Ind PTO) |
| 8 | R65428 Repair Kit - Piston Pump Contains: Wobble Shaft, Plate w/ Pins Wobble Shaft Needle Bearing, Idler Gear Shaft and Needle Bearings, 9/16 Pistons x 6, 5/8 Piston x 6, Piston Springs, Inlet & Outlet Springs, Balls, Seats, Cages, Seals & Gaskets | CKPN600A | 2000, 3000, 4000, 2600, 2310, 2610, 3610, Ind. 230A, 231, 233, 211LCG, 3400, (3500, 3550 less Ind. PTO), 333, 335, 340, 340A, 420, 445, (4400, 4500 less Ind. PTO), 530A, 515, 531, 532 |
| 9 | R65898 Seal & O-Ring Kit Engine Mounted Gear Pumps | | 2600, 3600, 2310, 2610, 3610, 5610, 5610S, 6610, 6610S, 6710, 6810, 7610, 7610S, 7710, 7810, 7810S, 7910, 8010, 8210, 8530, 8630, 8730, 8830, TW5, TW15, TW25, TW35, Ind. 231, 234, 333, 335, 531 (2810, 2910, 3910, 4110, 4610 4/83->), (3230, 3430, 3930, 4130, 4630, 4830, 5030 Auxiliary), Ind. (345C, 345D, 445C, 445D, 545D Auxiliary), 540, 540A, 540B, 545, 545A |



Hydraulic Draft Control Components & Lift Valves



| Our # | DESCRIPTION | EQUIVALENT | TRACTOR MODEL |
|-------|--|-----------------------|---|
| 1 | R66189 Cylinder - Bare | C9NN478F | 2000, 3000, Ind. 2110LCG, 3400, 3500, 4110LCG |
| 1 | R66190 Cylinder - Bare | E0NN477BB D3NN477E | 2600, 3600, 2310, 2610, 3610, Ind. 230A, 231, 233, 234, 333, 334, 340, 531 |
| 1 | R60580 Cylinder - w/ Unload Valve | C5NN477B | 2000, 3000, Ind. 2110LCG, 3400, 3500, 4110LCG |
| 2 | R66192 Piston (3" Dia) | C5NN530B | 2000, 3000, 2600, 3600, 2310, 2610, 3610, Ind. 230A, 231, 233, 234, 2110LCG, 333, 334, 340, 3400, 3500, 4110LCG, 531 |
| 2 | R66193 Piston (3.75" Dia) | D3NN530D | (5000, 7000 Check Diameter), (5600, 6600, 6700, 7600 7700 ->12/76) |
| 2 | R66194 Piston (4.125" Dia) | D5NN530A | (5000, 7000 Check Diameter), (5600, 6600, 6700, 7600 7700 77->) 5900, 5610, 5610S, 6610, 6610S, 6710, 7610, 7610S, 7710, 7810, 7810S, 7910, 8010, 8210, 5640, 6640, 7740, 7840, 8240, 8340, 8630, 8730, 8830, TS90, TS100, TS110, TW5, TW15, TW25, TW35 |
| 3 | R01960 O-Ring - Piston (3" Dia) | 87111S95 | 2000, 3000, 2600, 3600, 2310, 2610, 3610, Ind. 230A, 231, 233, 234, 2110LCG, 333, 334, 340, 3400, 3500, 4110LCG, 531 |
| 3 | R06798 O-Ring - Piston | 87115S95 | 3900, 4100, 4600, 3910, 4110, 4610, 3230, 3430, 3930, 4130, 4630, 4830, 5030, Ind. 250C, 260C, 340A, 340B, 345C, 345D, 420, 445, 445C, 445D, 515, 532, 535, 540A, 540B, 545A, 545C, 545D |
| 3 | R04585 O-Ring - Piston | C5NN533A | 4000, Ind. 3550, 4400, 4500 |
| 3 | R04431 O-Ring - Piston (3.75" Dia) | 373408S | (5000, 7000 Check Diameter), (5600, 6600, 6700, 7600 7700 ->12/76) |
| 3 | R06797 O-Ring - Piston (4.125" Dia) | 87120S95 | (5000, 7000 Check Diameter), (5600, 6600, 6700, 7600 7700 77->) 5900, 5610, 5610S, 6610, 6610S, 6710, 7610, 7610S, 7710, 7810, 7810S, 7910, 8010, 8210, 5640, 6640, 7740, 7840, 8240, 8340, 8630, 8730, 8830, TS90, TS100, TS110, TW5, TW15, TW25, TW35 |
| 4 | R04584 Back-up Ring - Piston (3" Dia) | NCA473A | 2000, 3000, 2600, 3600, 2310, 2610, 3610, Ind. 230A, 231, 233, 234, 2110LCG, 333, 334, 340, 3400, 3500, 4110LCG, 531 |
| 4 | R12284 Back-up Ring - Piston | D3NNB485A | 3900, 4100, 4600, 3910, 4110, 4610, 3230, 3430, 3930, 4130, 4630, 4830, 5030, Ind. 250C, 260C, 340A, 340B, 345C, 345D, 420, 445, 445C, 445D, 515, 532, 535, 540A, 540B, 545A, 545C, 545D |
| 4 | R04583 Back-up Ring - Piston | D1NN473A | 4000, Ind. 3550, 4400, 4500 |
| 4 | R04432 Back-up Ring - Piston (3.75" Dia) | D1NN473B | (5000, 7000 Check Diameter), (5600, 6600, 6700, 7600 7700 ->12/76) |
| 4 | R12068 Back-up Ring - Piston (4.125" Dia) | D3NN473A | (5000, 7000 Check Diameter), (5600, 6600, 6700, 7600 7700 77->) 5900, 5610, 5610S, 6610, 6610S, 6710, 7610, 7610S, 7710, 7810, 7810S, 7910, 8010, 8210, 5640, 6640, 7740, 7840, 8240, 8340, 8630, 8730, 8830, TS90, TS100, TS110, TW5, TW15, TW25, TW35 |
| 5 | R66195 Rod - Connecting | 86563314 957E526 | 2000, 3000, 2600, 3600, 2310, 2610, 2910, 3610, 3910, Ind. 231, 233, 234, 2110LCG, 333, 334, 335, 340A, 3400, 3500, 4110LCG, 530A, 531 |
| 5 | R65431 Rod - Connecting | C7NN526D | (5000 4/68->), 7000, 5600, 5900, 6600, 6700, 7600, 7700, 5610, 5610S, 6610, 6610S, 6710, 6810, 7610, 7610S, 7710, 7810, 7810S, 7910, 8010, 8210, 5640, 6640, 7740, 7840, 8240, 8340, TS90, TS100, TS110 |

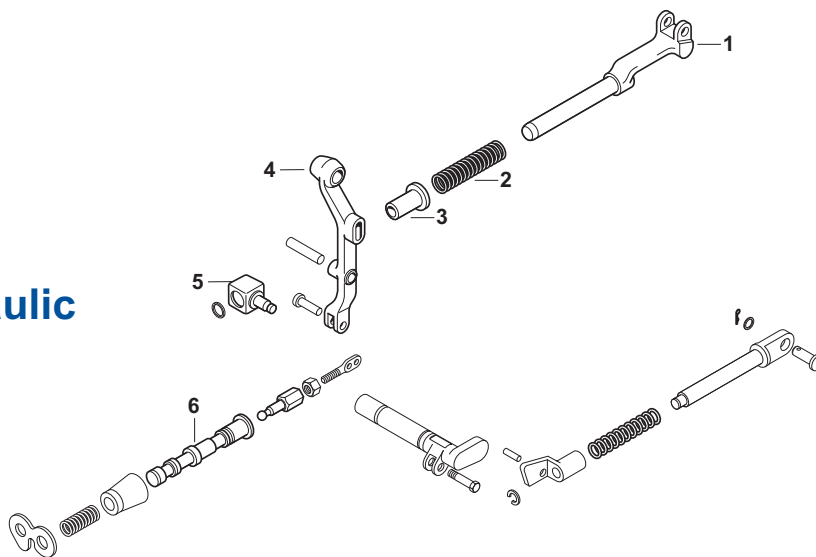
Hydraulic Draft Control Components & Lift Valves

| Our # | DESCRIPTION | EQUIVALENT | TRACTOR MODEL | |
|-------|-------------|--------------------------|-----------------------|--|
| 6 | R66197 | Arm - Center Ram | C5NN545B | 2000, 3000, Ind. 2110LCG, 3400, 3500, 4110LCG |
| 6 | R66198 | Arm - Center Ram | D8NN545AA | 2600, 3600, 2310, 2610, 2910, 3610, 3910, Ind. 230A, 231, 233, 234, 333, 334, 335, 340A, 530A, 531 |
| 7 | R66202 | Pin (5/16" x 2") | 74034S36 | 2000, 3000, 4000, 2600, 3600, 2310, 2610, 2910, 3610, 3910, Ind. 230A, 231, 233, 234, 2110LCG, 333, 334, 335, 340A, 3400, 3500, 3550, 4110LCG, 530A, 531 |
| 8 | R66203 | Cross Shaft | C5NN544D | 2600, 3600, 2310, 2610, 2910, 3610, 3910, Ind. 230A, 231, 233, 234, 333, 334, 335, 340A, 530A, 531 |
| 8 | R66204 | Cross Shaft | C5NN544B | 5000, 7000, 5600, 6600, 6700, 7600, 7700, (5610, 6610, 6710, 6810, 7610, 7710, 7810, 7910, 8210 ->6/85) |
| 9 | R66207 | Arm - RH | C5NNB920D | 2000, 3000, 2600, 3600, 2310, 2610, 2910, 3610, 3910, Ind. 230A, 231, 233, 234, 2110LCG, 333, 334, 335, 3400, 3500, 4110LCG, 530A, 531 |
| 9 | R66208 | Arm - RH (7/8" Pin Hole) | C5NN838F | 5000, 7000, (5600, 6600, 6700, 7600, 7700 w/ Load Monitor) |
| 10 | R66209 | Arm - LH | C5NNB921D | 2000, 3000, 2600, 3600, 2310, 2610, 2910, 3610, 3910, Ind. 230A, 231, 233, 234, 2110LCG, 333, 334, 335, 3400, 3500, 4110LCG, 530A, 531 |
| 10 | R66210 | Arm - LH (7/8" Pin Hole) | C5NN839F | 5000, 7000, (5600, 6600, 6700, 7600, 7700 w/ Load Monitor) |
| 11 | R66803 | Bushing | DBPN531A | 2000, 3000, 2600, 3600, 2310, 2610, 2910, 3610, 3910, Ind. 230A, 231, 233, 234, 2110LCG, 333, 334, 335, 340A, 3400, 3500, 4110LCG, 530A, 531 |
| 11 | R66228 | Bushing | D3NN531A | 3900, 4100, 4600, 2810, 4110, 4610, 3230, 3930, 4130, 4630, 4830, 5030, Ind. 250C, 260C, 420, 445, 445A, 445C, 445D, 450, 515, 532, 535, 540, 540A, 540B, 545, 545A, 545C, 545D |
| 11 | R65781 | Bushing | E2NN531AA C5NN531A | 5000, 7000, 5600, 6600, 6700, 7600, 7700, (5610, 6610, 6710, 6810, 7610, 7710 ->11/82) |
| 11 | R65306 | Bushing | E4NN531AA | 5900, (5610, 6610, 6710, 6810, 7610, 7710 12/82->), 7810, 7910, 8010, 8210, 5610A, 6610S, 7610S, 7810S, 5640, 6640, 7740, 7840, 8240, 8340, TS90, TS100, TS110 |
| 12 | R66218 | Lever | D3NN519A | 2600, 3600, 3900, 4100, 4600, 2310, 2610, 2810, 2910, 3610, 3910, 4110, 4610, 3230, 3930, 4130, 4630, 4830, 5030, Ind. 230A, 231, 233, 234, 250C, 260C, 333, 334, 335, 340, 340A, 340B, 345C, 345D, 420, 445, 445A, 445C, 445D, 450, 515, 530A, 531, 532, 535, 540, 540A, 540B, 545, 545A, 545C, 545D |
| 13 | R66219 | Lever | D5NN504A | Same as Above |
| 14 | R66246 | Lever & Link Assembly | D4NNB503B | Same as Above |
| 15 | R05602 | Safety Valve | E1ADDN984 | 4000, (5000, 7000 w/ 3.75" Cylinder Bore), Ind. 3550, 4400, 4500 |
| 15 | R17265 | Safety Valve | D5NN984A | (5000, 7000 w/ 4.125" Cylinder Bore), 3900, 4100, 4600, 5600, 6600, 6700, 7600, 7700, 3910, 4110, 4610, 5610, 5610S, 6610, 6610S, 6710, 6810, 7610, 7610S, 7710, 7810, 7810S, 7910, 8010, 8210, 3230, 3430, 3930, 4130, 4630, 4830, 5030, 8530, 8630, 8730, 8830, 5640, 6640, 7740, 8240, 8340, TS90, TS100, TS110, TW5, TW15, TW25, TW35, Ind. 250C, 260C, 340A, 340B, 345C, 345D, 420, 445A, 445C, 445D, 515, 532, 535, 540A, 540B, 545A, 545C, 545D |
| 16 | R04866 | Pump Relief Valve | C7NN638E | 2000, 3000, 4000, 5000, 7000, 5900, Ind. 2110LCG, 3400, 3500, 3550, 4110LCG, 4400, 4500 |

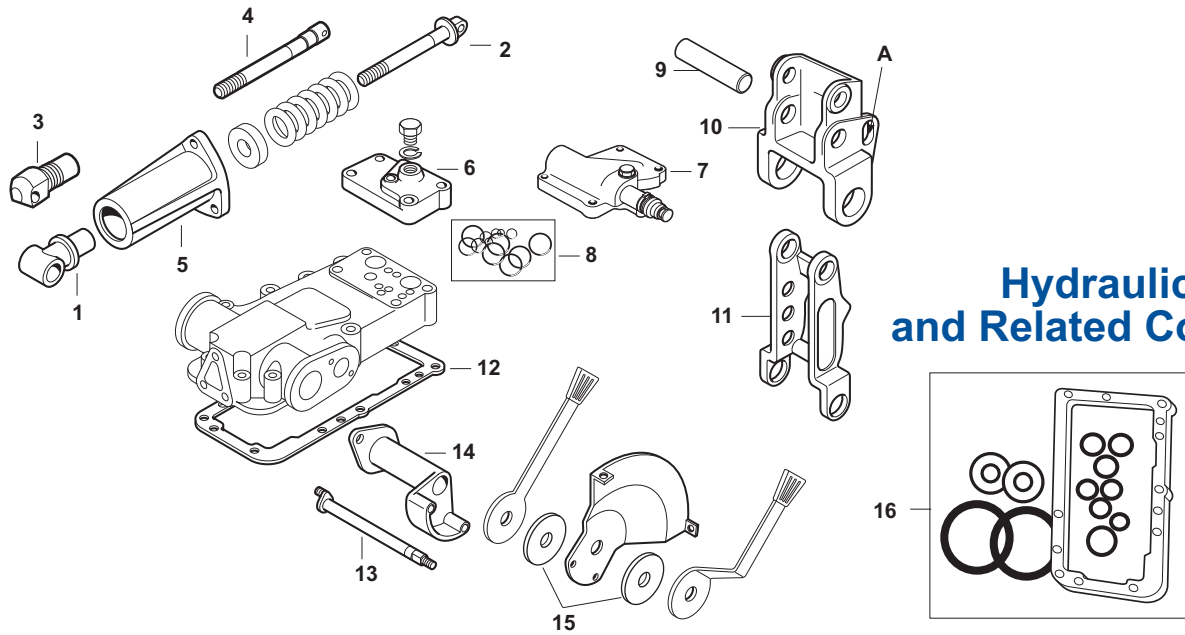
Hydraulic Draft Control Components & Lift Valves

| Our # | DESCRIPTION | EQUIVALENT | TRACTOR MODEL |
|-------|--|--|---|
| 17 | R17392 Valve Selector - Blue/White (0.6232/5" - 15.829/37mm) | C5NNN858A | 5000, 7000, 5600, 5900, 6600, 6700, 7600, 7700, 5610, 5610S, 6610, 6610S, 6810, 7610, 7610S, 7710, 7810, 7810S, 7910, 8010, 8210, 8530, 8630, 8730, 8830, 5640, 6640, 7740, 7840, 8240, 8340, TS90, TS100, TS110, TW5, TW15, TW25, TW35 |
| 17 | R17393 Valve Selector - White (0.6235/8" - 15.837/45mm) | C5NNN858B | Same as Above |
| 17 | R17394 Valve Selector - Blue (0.6238/41" - 15.845/52mm) | C5NNN858C | Same as Above |
| 17 | R17395 Valve Selector - Yellow (0.6241/44" - 15.852/60mm) | C5NNN858D | Same as Above |
| 17 | R17396 Valve Selector - Green (0.6241/46" - 15.860/67mm) | C5NNN858E | Same as Above |
| 18 | R04619 Control Valve & Sleeve Assembly White (0.5917/9" - 15.029/34mm) | 81819036 81819037+ 81819029 C7NN488F C7NN488G+ C7NN481D | 2000, 3000, 4000, 5000, 7000, 5600, 5900, 6600, 6700, 7600, 7700, Ind. 2110LCG, 3400, 3500, 3550, 4110LCG, 4400, 4500 |
| 18 | R04620 Control Valve & Sleeve Assembly Blue (0.5919/21" - 15.034/9mm) | 81819038 81819039+ 81819030 C7NN488H C7NN488J+ C7NN481E | Same as Above |
| 18 | R04621 Control Valve & Sleeve Assembly Yellow (0.5921/3" - 15.039/44mm) | 81819040 81819041+ 81819031 C7NN488K C7NN488L+ C7NN481F | Same as Above |
| 18 | R04622 Control Valve & Sleeve Assembly Green (0.5925/6" - 15.050/2mm) | 81819042 81819043+ 81819032 C7NN488M C7NN488N+ C7NN481G | Same as Above |
| 18 | R04808 Control Valve & Sleeve Assembly Orange (0.5927/8" - 15.055/7mm) | 81819045 + 81819033 C7NN488S+ C7NN481H | Same as Above |

Linkage and Hydraulic Lift Components



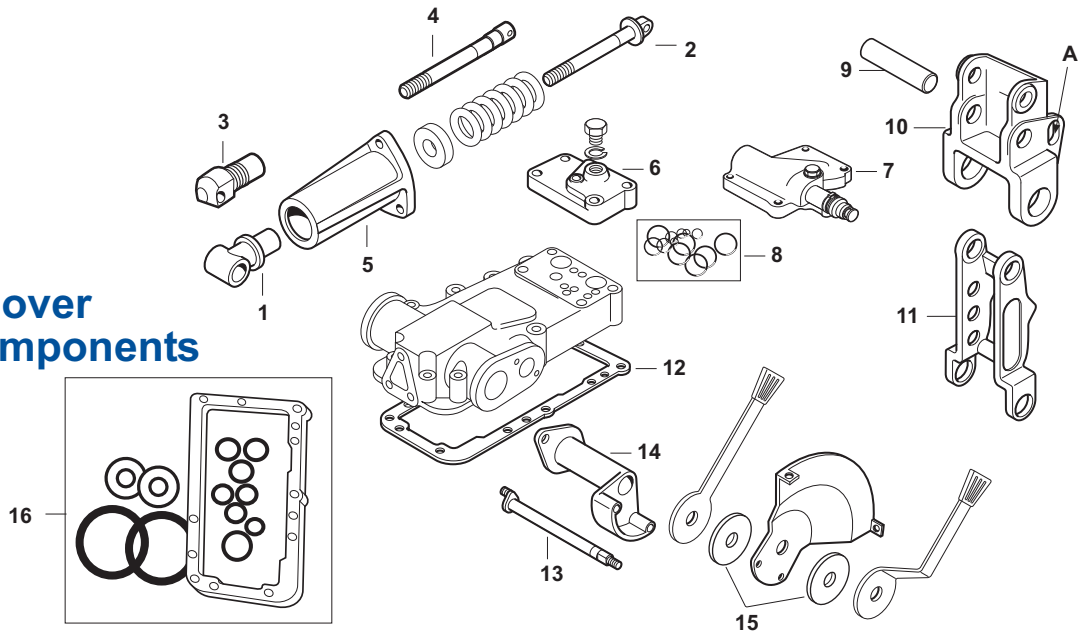
| Our # | DESCRIPTION | EQUIVALENT | TRACTOR MODEL | |
|-------|-------------|--|--|---|
| 1 | R66215 | Link - Draft Control | C5NN540A | 2000, 3000, 4000, Ind. 2110LCG, 3400, 3500, 3550, 4110LCG, 4400, 4500 |
| 2 | R66216 | Spring - Draft Control | 957E539 | Same as Above |
| 3 | R66217 | Bushing - Draft Control | 957E691 | Same as Above |
| 4 | R66220 | Lever - Control Valve Actuator | C5NN540L | 2000, 3000, Ind. 2110LCG, 3400, 3500, 4110LCG |
| 5 | R66222 | Swivel - Draft Control | 957E692 | 2000, 3000, 4000, Ind. 2110LCG, 3400, 3500, 3550, 4110LCG, 4400, 4500 |
| 6 | R04619 | Control Valve & Sleeve Assembly White (0.5917/9" - 15.029/34mm) | 81819036 81819037+ 81819029 C7NN488F C7NN488G+ C7NN481D | 2000, 3000, 4000, 5000, 7000, 5600, 5900, 6600, 6700, 7600, 7700, Ind. 2110LCG, 3400, 3500, 3550, 4110LCG, 4400, 4500 |
| 6 | R04620 | Control Valve & Sleeve Assembly Blue (0.5919/21" - 15.034/9mm) | 81819038 81819039+ 81819030 C7NN488H C7NN488J+ C7NN481E | Same as Above |
| 6 | R04621 | Control Valve & Sleeve Assembly Yellow (0.5921/3" - 15.039/44mm) | 81819040 81819041+ 81819031 C7NN488K C7NN488L+ C7NN481F | Same as Above |
| 6 | R04622 | Control Valve & Sleeve Assembly Green (0.5925/6" - 15.050/2mm) | 81819042 81819043+ 81819032 C7NN488M C7NN488N+ C7NN481G | Same as Above |
| 6 | R04808 | Control Valve & Sleeve Assembly Orange (0.5927/8" - 15.055/7mm) | 81819045 + 81819033 C7NN488S+ C7NN481H | Same as Above |



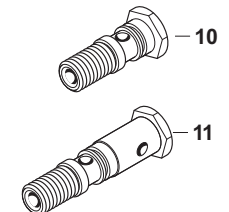
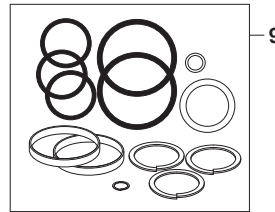
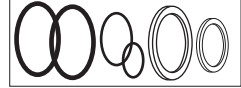
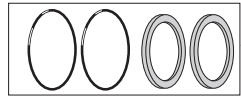
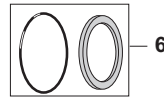
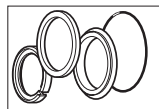
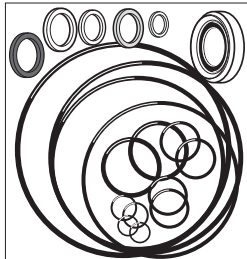
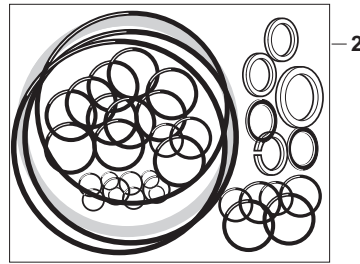
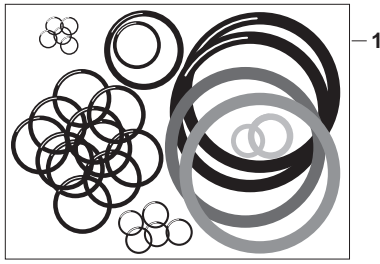
Hydraulic Lift Cover and Related Components

| Our # | DESCRIPTION | EQUIVALENT | TRACTOR MODEL |
|-------|---|-----------------------|---|
| 1 | R66243 Yoke - Draft Control | C5NN546C | (3000, 4000 4/67->), (2600 10/79->), 3600, 3900, 4100, 4600, 2310, 2610, 2810, 2910, 3610, 3910, 4110, 4610, 3230, 3430, 3930, 4130, 4630, 4830, 5030, Ind. 230A, (231, 233 10/79->), 234, 250C, 260C, 340, 340A, 340B, 334, 335, (3400, 3500, 3550 4/67->), 420, 445, 445A, 445C, 445D, (4110LCG, 4400, 4500 4/67->), 515, 530A, (531 10/79->), 532, 535, 540, 540A, 540B, 545, 545A, 545C, 545D |
| 2 | R66240 Plunger - Draft Control | E9NN541AA C5NN541A | 2000, 3000, 4000, 2600, 3600, 3900, 4100, 4600, 2310, 2610, 2810, 2910, 3610, 3910, 4110, 4610, 3230, 3430, 3930, 4130, 4630, 4830, 5030, Ind. 2110LCG, 230A, 231, 233, 234, 250C, 260C, 333, 334, 335, 340, 340A, 340B, 3400, 3500, 3550, 345C, 345D, 4110LCG, 420, 445, 445A, 445C, 445D, 450, 4400, 4500, 515, 530A, 531, 532, 535, 540, 540A, 540B, 545, 545A, 545C, 545D |
| 3 | R66244 Yoke - Draft Plunger | C5NN546A | (5000 65-12/68) |
| 3 | R66245 Yoke - Draft Plunger | D2NN546A | (5000 1/69->), 7000, 5600, 5900, 6600, 6700, 7600, 7700, 5610, 5610S, 6610, 6610S, 6710, 6810, 7610, 7610S, 7710, 7810, 7810S, 7910, 8010, 8210, 5640, 6640, 7740, 7840, 8240, 8340, TS90, TS100, TS110 |
| 4 | R66241 Plunger | C5NN541B | (5000 ->12/68) |
| 4 | R66242 Plunger | D0NN541A | (5000 1/71->), (7000, 5600, 6600, 6700, 7600, 7700 w/ Load Monitor) |
| 5 | R66247 Housing | C5N905B | (3000, 4000 4/67->), (2600 10/79->), 3600, 3900, 4100, 4600, 2310, 2610, 2810, 2910, 3610, 3910, 4110, 4610, 3230, 3430, 3930, 4130, 4630, 4830, 5030, Ind. 230A, (231, 233 10/79->), 234, 250C, 260C, 340, 340A, 340B, 334, 335, (3400, 3500, 3550 4/67->), 420, 445, 445A, 445C, 445D, (4110LCG, 4400, 4500 4/67->), 515, 530A, (531 10/79->), 532, 535, 540, 540A, 540B, 545, 545A, 545C, 545D |
| 6 | R66233 Hydraulic Cover Blocking Plate | C5NN475B | 2000, 3000, (4000 except Rowcrop), 2600, 3600, 4100, 4600, 2310, 2610, 2810, 2910, 3610, 3910, 4110, 4610, 3230, 3430, 3930, 4130, 4630, 4830, 5030, Ind. 230A, 231, 233, 234, 250C, 260C, 2110LCG, 333, 334, 335, 340, 340A, 340B, 345C, 345D, 3400, 3500, 3550, 420, 445A, 445C, 445D, 450, 4110LCG, 4400, 4500, 515, 530A, 531, 532, 535, 540, 540A, 540B, 545, 545A, 545C, 545D |
| 7 | R66232 Selector Valve | E0NND960AA | Same as Above |
| 8 | R11789 Seal Kit - Contains: O-Ring Seals | DEPN485A | Same as Above |
| 8 | R11787 Seal Kit - Contains: Square Cut Seals | CFPN485A | Same as Above |
| 9 | R66250 Bushing - Rocker Mounting | E1NNB681AA E66GF9 | 2000, 3000, 4000SU, 2600, 3600, 4600SU, 2310, 2610, 3610, Ind. 230A, 231, 233, 2110LCG, 333, 334, 335, 340, 340A, 340B, 3400, 3500, 445, 445A, 450, 4110LCG, 530A, 531, 540, 540A, 540B, 545, 545A |

Hydraulic Lift Cover and Related Components



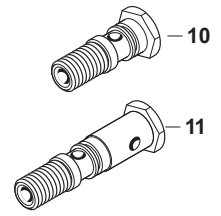
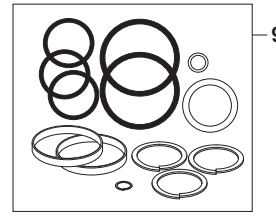
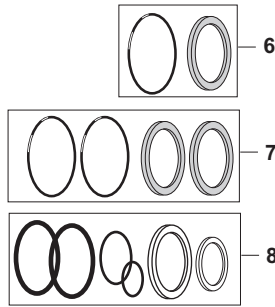
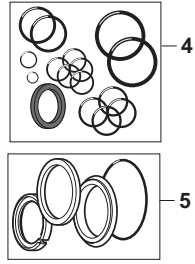
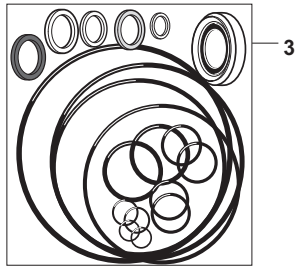
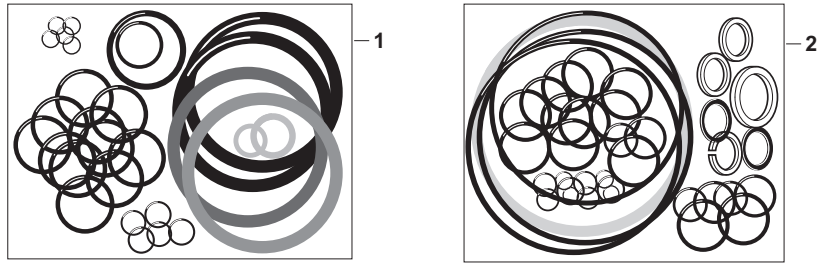
| Our # | DESCRIPTION | EQUIVALENT | TRACTOR MODEL |
|-------|---|-------------------------------------|---|
| 10 | R66248 Rocker - One Way Draft Control (A=Round Hole) | C7NN535B | 2000, 2600, Ind. 231, 233, 333, 335, 3400, 3500, 4110LCG, 531 |
| 10 | R61391 Rocker - Two Way Draft Control (A=Oval Hole) | E0NN535AA C7NN535C | 2000, 3000, 4000SU, 2600, 3600, 4600SU, 2310, 2610, 3610, 4610SU, Ind. 230A, 231, 233, 333, 334, 335, 3400, 3500, 4110LCG, 530A, 531 |
| 11 | R66249 Rocker | E0NN535CA C7NN535A | (5000, 7000, 5600, 6600, 6700, 7600, 7700 w/ Single Speed PTO), (5900, 5610, 6610, 6710, 6810, 7610, 7710 w/ 3 Pins), (5610S, 6610S, 7610S, 2 WD w/ Single Speed PTO) |
| 12 | R66301 Gasket - Lift Cover | E7NN502AA C5NN502A | 2000, 3000, 4000, 2600, 3600, 3900, 4100, 4600, 2310, 2610, 2810, 2910, 3610, 3910, 4110, 4610, 3230, 3430, 3930, 4130, 4630, 4830, 5030, Ind. 230A, 231, 233, 234, 250C, 260C, 2110LCG, 333, 334, 335, 340, 340A, 340B, 3400, 3500, 3550, 345C, 345D, 4110LCG, 420, 445, 445A, 445C, 445D, 450, 455, 455C, 455D, 4400, 4500, 515, 530A, 531, 532, 535, 540, 540A, 540B, 545, 545A, 545C, 545D |
| 12 | R66302 Gasket - Lift Cover | C5NNA967B | 5000, 7000 |
| 13 | R66237 Shaft - Quadrant | E1NNM897AA E1NN517AA D3NN517B | 2600, 3600, 3900, 4600, 2310, 2610, 2810, 2910, 3610, (3230, 3430, 3920, 4130, 4630 less Cab), Ind. 230A, 231, 233, 234, 250C, 260C, 333, 334, 335, 340, 340A, 340B, 345C, 345D, 420, 445, 445A, 445C, 445D, 450, 515, 530, 531, 532, 535, 540, 540A, 540B, 545, 545A, 545C, 545D |
| 14 | R66239 Support - Quadrant | D3NNF982A | 2600, 3600, 3900, 4100, 4600, 2310, 2610, 2810, 2910, 3610, 3910, 4110, 3230, 3430, 3930, 4130, 4630, Ind. 230A, 231, 233, 234, 333, 334, 335, 340, 340A, 340B, 345C, 345D, 420, 445, 445A, 445C, 445D, 450, 515, 530, 531, 532, 535, 540, 540A, 540B, 545, 545A, 545C, 545D (NOTE: Not Narrow or Vineyard Versions) |
| 15 | R60635 Friction Disc | C5NN518B | 2000, 3000, 4000, 5000, 7000, 2600, 3600, 3900, 4100, 4600, 5600, 5900, 6600, 6700, 7600, 7700, 2310, 2610, 2810, 2910, 3610, 3910, 4110, 4610, 3230, 3430, 3930, 4130, 4630, 4830, 5030, Ind. 230A, 231, 233, 234, 250C, 260C, 2110LCG, 333, 334, 335, 340, 340A, 340B, 335, 3400, 3500, 3550, 420, 445, 445A, 445C, 445D, 4110LCG, 4400, 4500, 515, 530A, 531, 532, 535, 540, 540A, 540B, 545, 545A, 545C, 545D |
| 16 | R61507 Lift Cover Repair Kit Contains: Lift Cover Gaskets & O-Rings, Piston O-Ring & Back-up Ring | | 2000, 3000, 4000, Ind. 2110LCG, 3400, 3500, 3550, 4110LCG, 4400, 4500 |



O-Rings and Seal Kit Components

| Our # | DESCRIPTION | EQUIVALENT | TRACTOR MODEL |
|-------|--|------------|---|
| 1 | R04588 O-Ring & Seal Kit - Liftcovers & Cylinders | | 2000, 3000, 4000 |
| 1 | R04427 O-Ring & Seal Kit - Liftcovers & Cylinders | | 5000, 7000 |
| 1 | R08381 O-Ring & Seal Kit - Liftcovers & Cylinders | | 2600, 3600, 3900, 4100, 4600, 231, 233, 333, 335, 340, 340A, 420, 445, 515, 531, 532, 535, 540, 540A, 545 |
| 1 | R08382 O-Ring & Seal Kit - Liftcovers & Cylinders | | 5600, 5900, 6600, 6700, 7600, 7700, 5610, 5610S, 6610, 6610S, 6710, 6810, 7610, 7610S, 7710, 7810, 7810S, 7910, 8010, 8210, 8530, 8630, 8730, 8830, 5640, 6640, 7740, 7840, 8240, TS90, TS100, TS110, TW5, TW15, TW25, TW35 |
| 2 | R65784 O-Ring & Seal Kit - Liftcover, Cylinder, Hydraulic Pump | | 5000, 7000 |
| 2 | R65783 O-Ring & Seal Kit - Liftcover, Cylinder, Hydraulic Pump | | 5600, 6600, 6700, 7600, 7700, 5610, 6610, 6710, 6810, 7610, 7710 |
| 3 | R04605 Seal Kit - Hydraulic Pump | | 2000, 3000, 4000, Ind. 2100LCG, 3400, 3500, 3550, 4110LCG, 4400, 4500 |
| 3 | R04608 Seal Kit - Hydraulic Pump | | 5000, 7000 |
| 3 | R08383 Seal Kit - Hydraulic Pump | | 5600, 6600, 6700, 7600, 7700, 4110, 4610, 5610, 6610, 6710, 6810, 7610, 7710 |
| 4 | R11787 O-Ring & Seal Kit - Square Cut (Mounts Remote Valves, Selector Valves, Blocking Plates to Liftcover) | CFPN485A | (2000, 3000, 4000, 5000 ->7/70), Ind. (2110LCG, 3400, 3500, 4110LCG, 4400, 4500 ->7/70) |
| 4 | R11789 O-Ring & Seal Kit - Square Cut | DEPN485A | (2000, 3000, 4000, 5000, 7000 7/70->), 2600, 3600, 3900, 4100, 4600, 5600, 6600, 6700, 7600, 7700, 2310, 2610, 2810, 2910, 3610, 3910, 4110, 4610, Ind. 231, 233, (2110LCG 7/70->), 333, 335, (3400, 3500 7/70->), 420, (4400, 4500 7/70->), 515, 531, 532, 535 |
| 4 | R11788 O-Ring & Seal Kit - Square Cut | | (2000, 3000, 4000, 5000, 7000 7/70->), 2600, 3600, 3900, 4100, 4600, 5600, 6600, 6700, 7600, 7700, 2310, 2610, 2810, 2910, 3610, 3910, 4110, 4610, Ind. 230A, 231, 233, 234, (2110LCG 7/70->), 333, 334, 335, 340, 340A, 340B, (3400, 3500 7/70->), 420, 445, 445A, 450, (4400, 4500 7/70->), 515, 530A, 531, 532, 540, 540A, 540B, 545, 545A |

O-Rings and Seal Kit Components



| Our # | DESCRIPTION | EQUIVALENT | TRACTOR MODEL |
|-------|--|--------------------------|---|
| 5 | R01810 O-Ring Kit - Over 40 Various Sizes | | 2000, 3000, 4000, 5000, 7000, Ind. 2110LCG, 3400, 3500, 4400, 4500, 4110LCG |
| 6 | R04301 Seal Kit - 1 O-Ring, 1 Back-up Ring (D1NNB961B Breakaway Coupler) | | (2000, 3000, 4000, 5000, 7000 7/70->), 8000, 8600, 8700, 9000, 9600, 9700, 2600, 3600, 4100, 4600, 5600, 6600, 6700, 7600, 7700, TW5, TW10, TW15, TW20, TW25, TW30, TW35 |
| 7 | R05747 Seal Kit - Single Acting Female Coupler 2 O-Rings, 2 Back-up Rings | | (2000, 3000, 4000, 5000 7/70->), Ind. (2110LCG, 3400, 3500, 4400, 4500, 4110LCG 7/70->) |
| 8 | R12227 Seal Kit - Quick Release Coupler | | Same as Above |
| 9 | R11455 Seal Kit - Breakaway Coupler | F1NNS938AA E6NNT929AA | 2610, 2810, 2910, 3610, 3910, 4110, 4610, 5610, 6710, 7610, 7710, 7810, 7910, 8210, 3430, 3930, 4630, 4830, 5030, 8530, 8630, 8730, 8830, TW5, TW15, TW25, TW35, Ind. 230A, 234, 334, 335, 530A |
| 10 | R05739 Bolt - Banjo Fitting (1 5/16") (9/16" - 18 Thread) | 311113 | |
| 11 | R04973 Bolt - Banjo Fitting (2 3/8") (9/16" - 18 Thread) | D0NNH932A | |