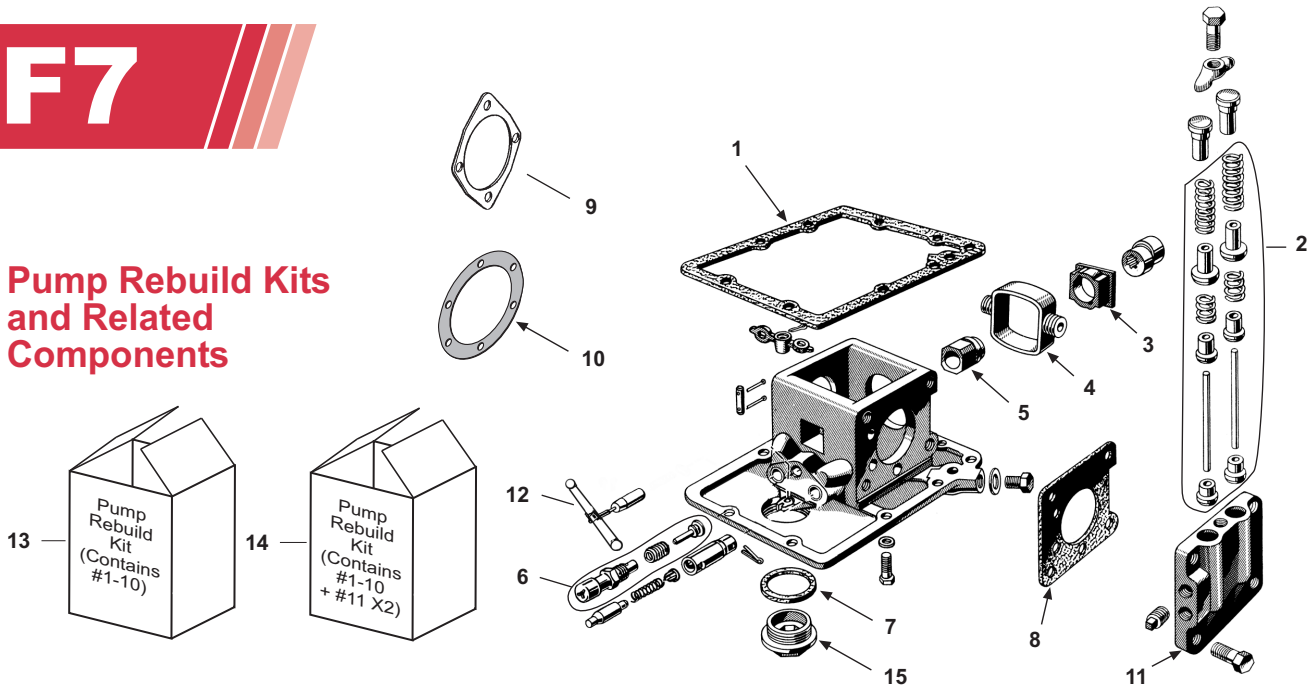




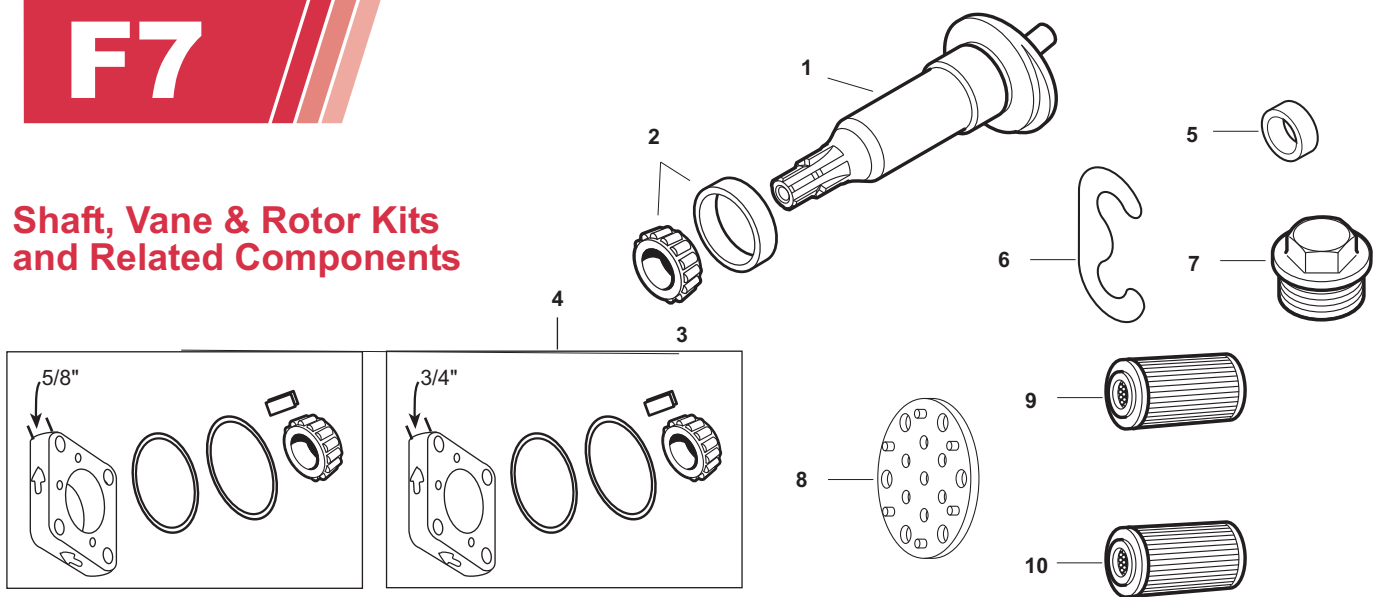
## Pump Rebuild Kits and Related Components



OUR #	DESCRIPTION	EQUIVALENT	TRACTOR MODEL
1	<b>R61320</b> Gasket - Pump Base	9N611	9N, 2N, 8N
2	<b>R61324</b> Chamber Repair Kit (For 1 Chamber)		9N, 2N, 8N
3	<b>R74009</b> Cam Block	9N617A	9N, 2N, 8N
4	<b>R74010</b> Piston	9N615	9N, 2N, 8N
5	<b>R60449</b> PTO Shaft Bushing	9N649A	9N, 2N, 8N
6	<b>R60023</b> Safety Valve	8N638	9N, 2N, 8N
7	<b>R61323</b> Gasket - Drain Plug	8N7011	9N, 2N, 8N
8	<b>R61321</b> Gasket - Valve Chamber	9N613	9N, 2N, 8N
9	<b>R61322</b> Gasket - PTO Shaft Housing	C5NN747A	9N, 2N, 8N, NAA, Jubilee, 600, 700, 800, 900, 601, 701, 801, 901, 2000, 4000
10	<b>R03352</b> Gasket - PTO Shifter Plate	9N4131	9N, 2N, 8N NAA, Jubilee, 600, 700, 800, 900, 601, 701, 801, 901, 2000, 4000
11	<b>R61319</b> Valve Chamber - LH or RH (Empty) Uses R61324		9N, 2N, 8N
12	<b>R60057</b> Control Valve	9N640	9N, 2N
13	<b>R61325</b> Pump Rebuild Kit (Complete) (Includes #1-10)		9N, 2N, 8N
14	<b>R61725</b> Pump Rebuild Kit (Complete) (Includes #1-10 + #11 x2)		9N, 2N, 8N
15	<b>R60340</b> Plug - Filler (Lift Cover) Uses R61323	9N7010	NAA, Jubilee, 600, 700, 800, 900, 601, 701, 801, 901, 2000, 4000
15	<b>R60340</b> Drain Plug - Hydraulic Pump	9N7010	9N, 2N, 8N



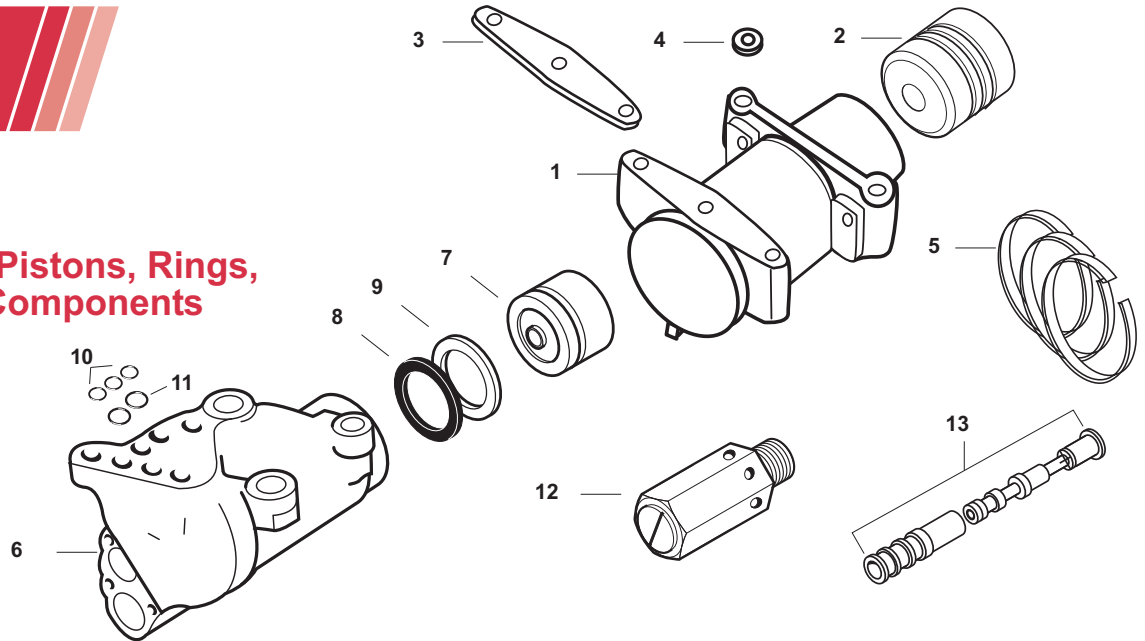
## Shaft, Vane & Rotor Kits and Related Components



OUR #	DESCRIPTION	EQUIVALENT	TRACTOR MODEL
1	<b>R65430</b> Wobble Shaft (NAA600D & NCA600F Pumps)	EC0N966AA	<b>NAA, Jubilee, 600, 700, 800, 900, 601, 701, 801, 901, 2000, 4000 (w/ Piston Pump)</b>
2	<b>R02975</b> Bearing & Cup (LM67048, LM67010)	D5NN1201A D5NN1202A	<b>NAA, Jubilee, 600, 700, 800, 900, 601, 701, 801, 901, 2000, 4000 (w/ Piston Pump)</b>
3	<b>R60990</b> Vane & Rotor Kit (5/8" Wide)	CPN972B	<b>NAA, Jubilee</b>
4	<b>R60192</b> Vane & Rotor Kit (3/4" Wide)	CPN972C	<b>NAA, Jubilee, 600, 700, 800, 900</b>
5	<b>R04433</b> Pump Shaft Seal	E97GF9	<b>Dexta, Super Dexta, (Fordson Major, Power Major, Super Major 11/60-64)</b>
6	<b>R04438</b> Pump Seal	C5NNF844A	<b>(Super Dexta 4/63-64)</b>
7	<b>R66181</b> Filler Plug (1 9/16" Thread)	957E7010	<b>Dexta, Super Dexta, (Fordson Major, Power Major, Super Major 11/60-64)</b>
8	<b>R61864</b> Hydraulic Plate Assembly	310205	<b>NAA, Jubilee, 600, 700, 800, 900, 601, 701, 801, 901, 2000, 4000</b>
9	<b>R66183</b> Filter - Steel	C5NNN832C	<b>(Fordson Major, Power Major, Super Major 11/60-64)</b>
10	<b>R76548</b> Filter - Paper	C5NNN832C	<b>(Fordson Major, Power Major, Super Major 11/60-64)</b>

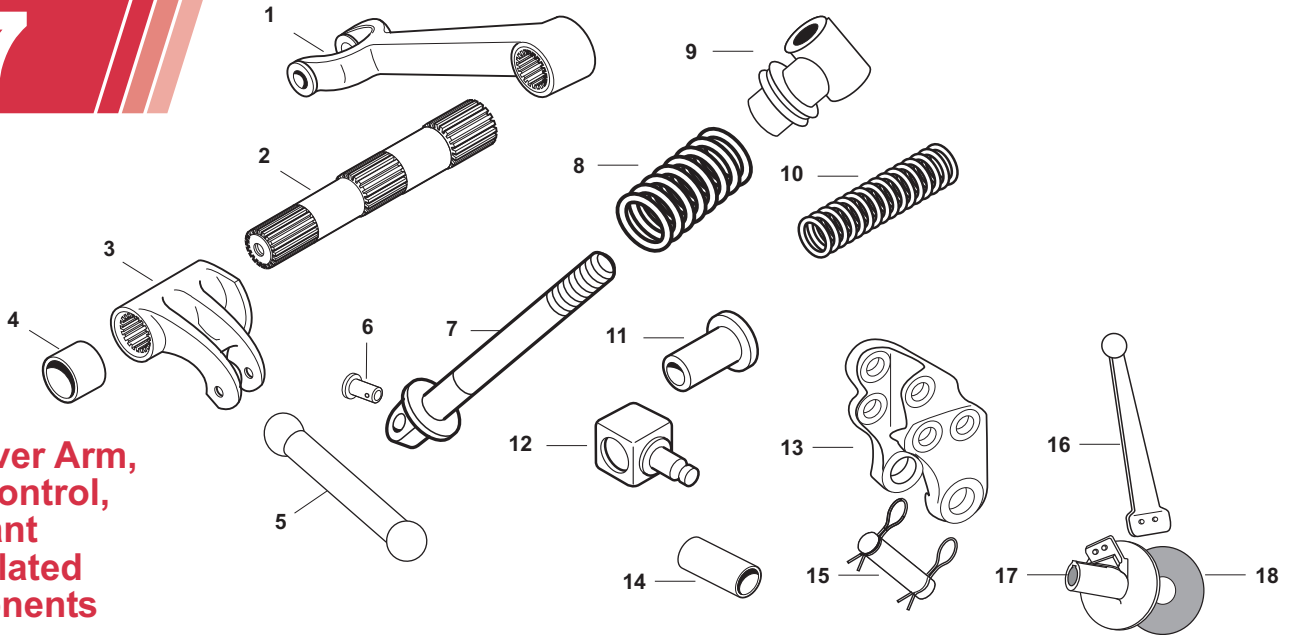
# F7

## Lift Cylinder, Pistons, Rings, and Related Components



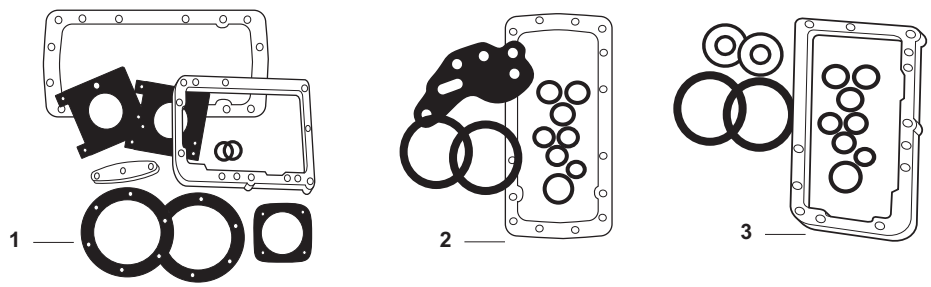
OUR #	DESCRIPTION	EQUIVALENT	TRACTOR MODEL	
1	R42228	Cylinder - 2 1/2" Bore	9N510D	9N, 2N, 8N
2	R61588	Piston - 3 Ring	9N530B	9N, 2N, 8N, NAA, Jubilee
3	R42212	Gasket - Cylinder to Lift Cover	9N553	9N, 2N, 8N
4	R42213	Gasket - Cylinder to Lift Cover	9N552	9N, 2N, 8N
5	R61589	3 Ring Set	9N675	9N, 2N, 8N, NAA, Jubilee
6	R60580	Cylinder w/ Unload Valve, Control Valve (Modification needed. Call for details)	C5NN477B	600, 700, 800, 900, 601, 701, 801, 901, 2000, 4000, Dexta, Super Dexta
7	R66192	Piston	C5NN530B	600, 700, 800, 900, 601, 701, 801, 901, 2000, 4000, (*Dexta, Super Dexta)
8	R04584	Back-up Ring	NCA473A	600, 700, 800, 900, 601, 701, 801, 901, 2000, 4000, (*Dexta, Super Dexta)
9	R01960	O-Ring Seal	87111S95	600, 700, 800, 900, 601, 701, 801, 901, 2000, 4000, (*Dexta, Super Dexta)
9	R04723	Seal - Gland (2 3/4" OD)	E27N994693B	Fordson Major, Fordson Power Major (52-11/60)
9	R04724	Seal - Gland (3 3/8" OD)	E1ADDN994693	Power Major, Super Major (12/60-64)
9	R04722	Seal - Gland	E11GF9	(Dexta, Super Dexta w/ Original Piston)
10	R01903	O-Ring - Cylinder to Lift Cover	87006S94	600, 700, 800, 900, 601, 701, 801, 901, 2000, 4000, Dexta, Super Dexta
11	R01926	O-Ring - Cylinder to Lift Cover	87010S94	600, 700, 800, 900, 601, 701, 801, 901, 2000, 4000, Dexta, Super Dexta
12	R05602	Cylinder Relief Valve	E1ADDN984	Fordson Major, Power Major, Super Major (11/60-64)
13	R04619	Control Valve & Bushing (White)	C7NN481D	Dexta, Super Dexta, Fordson Major, Power Major, Super Major (11/60-64)
13	R04620	Control Valve & Bushing (Blue)	C7NN481E	Dexta, Super Dexta, Fordson Major, Power Major, Super Major (11/60-64)
13	R04621	Control Valve & Bushing (Yellow)	C7NN488K	Dexta, Super Dexta, Fordson Major, Power Major, Super Major (11/60-64)
13	R04622	Control Valve & Bushing (Green)	C7NN481G	Dexta, Super Dexta, Fordson Major, Power Major, Super Major (11/60-64)
13	R04808	Control Valve & Bushing (Orange)	C7NN481H	Dexta, Super Dexta, Fordson Major, Power Major, Super Major (11/60-64)

\*Note: Original Dexta, Super Dexta Lift Pistons were fitted with a Gland Style Seal. If replacing, original Piston with R66192, use R01962 O-Ring and R04584 Back-up Ring also. Original Gland Seal is available (R04722).

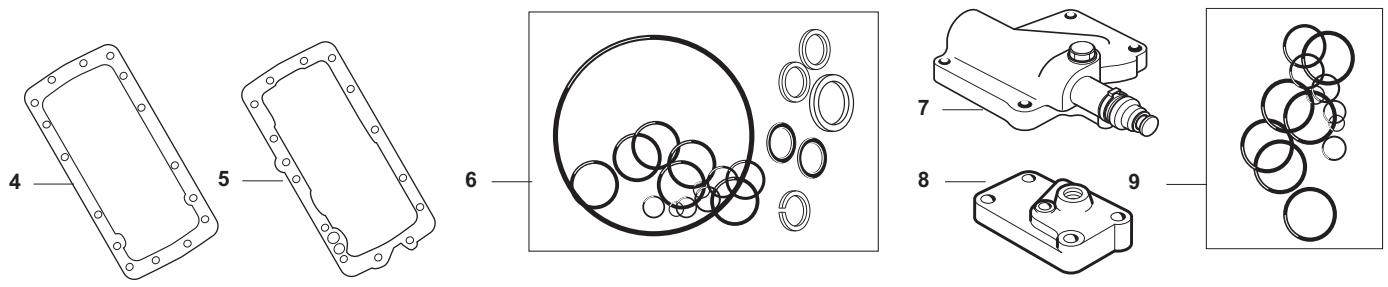
**F7**

## Lift Cover Arm, Draft Control, Quadrant and Related Components

OUR #	DESCRIPTION	EQUIVALENT	TRACTOR MODEL
1	R42171	Arm	9N543B 9N, 2N, 8N, NAA, Jubilee, 600, 700, 800, 900, 601, 701, 801, 901, 2000, 4000,
1	R66206	Arm - less Auto Hitch	E1ADDN994620A Fordson Major, Power Major, Super Major
2	R60630	Lift Shaft	NCA544B 9N, 2N, 8N, NAA, Jubilee, 600, 700, 800, 900, 601, 701, 801, 901, 2000, 4000
2	R66205	Lift Shaft	E1ADDN544 Fordson Major, Fordson Power Major, Fordson Super Major (11/60-64)
3	R60570	Arm	8N545B 8N
3	R66201	Arm	EIADDN545B Fordson Super Major (6/63-64)
4	R41425	Bushing - Lift Shaft (4 Required) (2" x 2 3/8" x 1 1/8")	9N531C 86534029 9N, 2N, 8N, NAA, Jubilee, 600, 700, 800, 900, 601, 701, 801, 901, 2000, 4000, Dexta, Super Dexta
5	R66195	Lift Rod	957E526 86563314 9N, 2N, 8N, NAA, Jubilee, 600, 700, 800, 900, 601, 701, 801, 901, 2000, 4000, Dexta, Super Dexta
6	R01468	Clevis Pin	352594S Same as Above
7	R60585	Plunger (Draft Control) (5/8" x 24 Thread)	8N541B 9N, 2N, 8N, NAA, Jubilee, 600, 700, 800, 900, 601, 701, 801, 901, 2000, 4000, Dexta, Super Dexta
8	R41428	Hydraulic Control Spring	9N547B 9N, 2N, 8N, NAA, Jubilee, 600, 800, 601, 801, 2000, 4000 (except Rowcrop), Dexta, Super Dexta
9	R60586	Yoke (5/8" x 24 Thread)	9N546C 9N, 2N, 8N
10	R66216	Spring - Draft Control	957E539 Dexta, Super Dexta
11	R66217	Bushing - Draft Control	957E691 Dexta, Super Dexta
12	R66222	Swivel - Draft Control	957E692 NAA, Jubilee, 600, 700, 800, 900, 601, 701, 801, 901, 2000, 4000, Dexta, Super Dexta
13	R61643	Rocker	NCA535A 9N, 2N, 8N, NAA, Jubilee, 600, 800, 601, 801, 2000, 4000,
14	R66250	Bushing - Rocker to Center Housing	E1NNB681AA E66GF9 Dexta, Super Dexta
15	R61318	Clevis Pin w/ Clips (Not original) Rocker to Center Housing	8N486B 9N, 2N, 8N, NAA, Jubilee, 600, 800, 601, 801, 2000, 4000, (except Rowcrop)
16	R66598	Lift Control Lever w/ Ball End	2N512 9N, 2N, 8N, NAA, Jubilee, 600, 700, 800, 900, 601, 701, 801, 901, 2000, 4000
17	R66515	Lift Control Plate (Cast Aluminium as Original)	2N516A2 9N, 2N, 8N, NAA, Jubilee, 600, 700, 800, 900, 601, 701, 801, 901, 2000, 4000
18	R60635	Friction Disc	C5NN518B Same as Above



**Life Cover Repair Kits, Gaskets, O-Rings and Related Components**



OUR #	DESCRIPTION	EQUIVALENT	TRACTOR MODEL
1	<b>R61504</b> Lift Cover Repair Kit Contains: Gaskets for Lift Cover & Pump, Piston, O-Ring, Back-up Ring	LCRK928	<b>9N, 2N, 8N</b>
2	<b>R61505</b> Lift Cover Repair Kit Contains: Gaskets & O-Rings for Lift Cover, Piston, O-Ring, Back-up Ring	LCRK5354	<b>NAA, Jubilee</b>
3	<b>R61506</b> Lift Cover Repair Kit Contains: Gaskets & O-Rings for Lift Cover, Piston, O-Ring & Back-up Ring	LCRK5564	<b>600, 700, 800, 900, 601, 701, 801, 901, 2000, 4000, (Dexta, Super Dexta If Piston has been changed to O-Ring &amp; Back-up Ring Style.) If Piston is original w/ single Gland Seal order R04722 Gland also. See F7 / pg 3 / #9 Note.</b>
4	<b>R42217</b> Lift Cover Gasket	NAA502A	<b>9N, 2N, 8N, NAA, Jubilee</b>
5	<b>R66301</b> Lift Cover Gasket	NCA502A	<b>600, 700, 800, 900, 601, 701, 801, 901, 2000, 4000, Dexta, Super Dexta</b>
6	<b>R04725</b> O-Ring & Seal Kit, (Lift Cover, Cylinder, Pump) Contains both old and new syle Piston Seals		<b>Dexta, Super Dexta</b>
6	<b>R04726</b> O-Ring & Seal Kit (Lift Cover, Cylinder, Pump)		<b>Fordson Major, Fordson Power Major</b>
7	<b>R66232</b> Selector Valve		<b>600, 700, 800, 900, 601, 701, 801, 901, 2000, 4000, Dexta, Super Dexta</b>
8	<b>R66233</b> Blocking Plate Note: Longer bolts may be needed to mount plate	NCA475E	<b>600, 700, 800, 900, 601, 701, 801, 901, 2000, 4000, Dexta, Super Dexta</b>
9	<b>R11787</b> Flat Style Seal Kit		<b>R66232 Selector Valve, R66233 Blocking Plate</b>
9	<b>R11789</b> O-Ring Seal Kit		<b>R66232 Selector Valve, R66233 Blocking Plate</b>