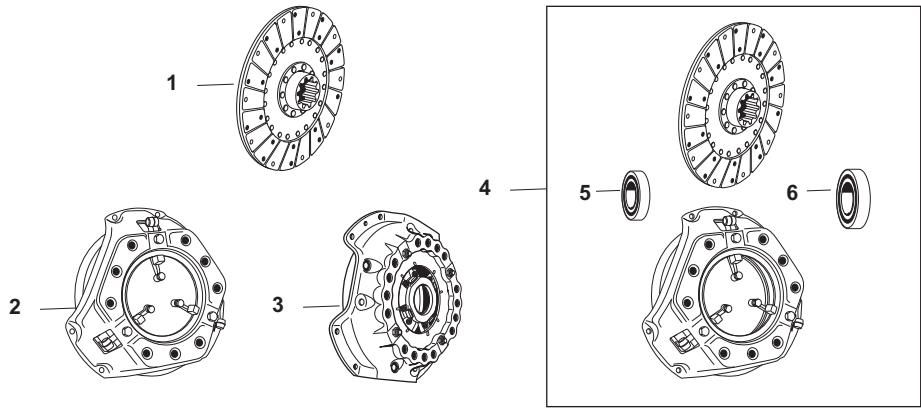


F4

Clutch Discs, Pressure Plates and Bearings

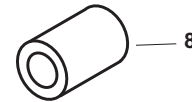
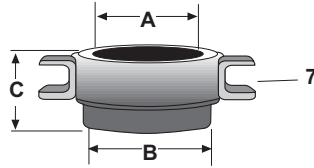
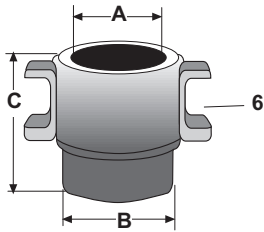
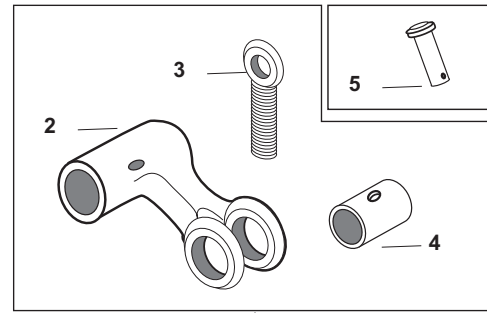


Most Clutches and Discs Shown are available in New or Rebuilt. Core Charge may apply !

Our #	DESCRIPTION	EQUIVALENT	TRACTOR MODEL
1	R60693 9" Clutch Disc	91A7550	(9N, 2N, 8N, NAA, Jubilee, 600, 700, 800, 900 w/ 3 & 4 Speed Trans)
1	R60924 10" Clutch Disc - 10 Spline	NCA7550A	(600, 700, 800, 900, 55-57 w/ 4 & 5 Speed Trans, Single Clutch)
1	R60926 10" Clutch Disc - 15 Spline	NDA7550B	(601, 701, 801, 901, 2000, 4000, 58-64, w/ 4 & 5 Speed, Single Clutch)
1	R19528 11" Clutch Disc - 1" - 15 Spline	F0NN7550CA	Dexta, Super Dexta
1	R72736 11" Clutch Disc - 1 3/8" - 10 Spline	D8NN7550DA	Fordson Major, Power Major, Super Major
1	R19537 13" Clutch Disc - 1 3/8" - 10 Spline	E1ADDN7550D	Fordson Major, Power Major, Super Major
2	R60692 9" Pressure Plate	09A7563	(9N, 2N, 8N, NAA, Jubilee, 600, 700, 800, 900 w/ 3 & 4 Speed Trans)
2	R60641 10" Pressure Plate	B8NN7563A	(600, 700, 800, 900, 601, 701, 801, 901, 2000, 4000 w/ 4 & 5 Speed, Single Clutch)
2	R19511 11" Pressure Plate	957E7563B	Dexta, Super Dexta, Fordson Major, Power Major, Super Major
3	R19523 13" Pressure Plate	E1ADDN7563B	(Super Major 60-64)
4	R72750 9" Clutch Rep Set - 10 Spline • New Pressure Plate R60692 • New Clutch Disc R60693 • Release Bearing R65334 • Pilot Bearing R40734	09A7563 91A7550 C0NN7580A C5NN7600A	(9N, 2N, 8N, NAA, Jubilee, 600, 700, 800, 900, 39-57, Single Clutch)
4	R72751 10" Clutch Rep Set - 10 Spline • New Pressure Plate R60641 • New Clutch Disc R60924 • Release Bearing R65334 • Pilot Bearing R40734	B8NN7563A NCA7550A C0NN7580A C5NN7600A	(600, 700, 800, 900, w/ 4 & 5 Speed Tractors, Single Clutch)
4	R72752 10" Clutch Rep Set - 15 Spline • New Pressure Plate R60641 • New Clutch Disc R60926 • Release Bearing R65334 • Pilot Bearing R40734	B8NN7563A NDA7550B C0NN7580A C5NN7600A	(601, 701, 801, 901, 2000, 4000, 58-64, w/ 4 & 5 Speed Tractors, Single Clutch)
5	R40734 Pilot Bearing	C5NN7600A	9N, 2N, 8N, NAA, Jubilee, 600, 700, 800, 900, 601, 701, 801, 901, 2000, 4000, Dexta, Super Dexta
5	R72739 Pilot Bearing	E1ADKN7600A	Fordson Major, Power Major, Super Major
6	R65334 Release Bearing (Single Clutch)	C0NN7580A	9N, 2N, 8N, NAA, Jubilee, 600, 700, 800, 900, 601, 701, 801, 901, 2000, 4000, Dexta, Super Dexta, Fordson Major, Power Major
6	R40735 Release Bearing (Double Clutch)	NDA7580B	600, 700, 800, 900, 601, 701, 801, 901, 2000, 4000

F4

Clutch Release Arm Kit and Release Bearing Hubs



Our #	DESCRIPTION	EQUIVALENT	TRACTOR MODEL
1	R66657 Clutch Release Arm Kit (Kit contains R66654, R66656, R66655)		8N, NAA, 600, 700, 800, 900 (->58 w/ 4 Speed Transmission)
2	R66654 Clutch Release Arm	8N7511B	Same as Above
3	R66656 Eyebolt	355584S8	Same as Above
4	R66655 Pin	8N7533	Same as Above
5	R01468 Clevis Pin (3/8" x 1 5/16")		(R66656 Eyebolt to Clutch Pedal)
6	R61640 Release Bearing Hub (A=1.75", B=2.05", C=2.80")	311259	601, 701, 801, 901, 2000, 4000 (5 Speed Trans w/ Single Clutch SN 14256->)
7	R60599 Release Bearing Hub (A=2.10", B=2.48", C=1.91")	311260	601, 701, 801, 901, 2000, 4000 (w/ Double Clutch SN 14256->)
8	R03705 Clutch Shaft Bushing	407508A	9N, 2N, 8N, NAA, Jubilee, 600, 700, 800, 900, 601, 701, 801, 901, 2000, 4000 (3 or 4 Speed Trans Only)